



US00D573995S

(12) **United States Design Patent**  
**Lewis**

(10) **Patent No.:** **US D573,995 S**  
(45) **Date of Patent:** **\*\* Jul. 29, 2008**

(54) **INTERACTIVE TOY**

(75) Inventor: **Kate Lewis**, San Francisco, CA (US)

(73) Assignee: **Leapfrog Enterprises, Inc.**, Emeryville, CA (US)

(\*\*) Term: **14 Years**

(21) Appl. No.: **29/260,729**

(22) Filed: **May 30, 2006**

(51) **LOC (8) Cl.** ..... **14-02**

(52) **U.S. Cl.** ..... **D14/400; D14/412; D21/333**

(58) **Field of Classification Search** ..... D14/413,  
D14/217, 218, 300, 356, 388, 399, 400, 401,  
D14/412-416, 432, 434, 454-457; D21/324,  
D21/329, 331-333; 273/148 B, 148 R; 463/1,  
463/30, 36-38, 46, 47; 345/156-161

See application file for complete search history.

(56) **References Cited**

**U.S. PATENT DOCUMENTS**

D317,021 S *	5/1991	Shulman et al.	.....	D14/413
D330,371 S *	10/1992	Tse	.....	D14/416
D337,792 S *	7/1993	Tse	.....	D14/413
D342,763 S *	12/1993	Tse	.....	D14/413
D345,994 S *	4/1994	Shian	.....	D14/413
D356,606 S *	3/1995	Feng	.....	D14/401
D375,765 S *	11/1996	Kawasaki	.....	D14/413
D396,899 S *	8/1998	Kaneko et al.	.....	D14/416

6,033,309 A *	3/2000	Couch et al.	.....	463/38
D508,052 S *	8/2005	Kit et al.	.....	D14/413
D524,812 S *	7/2006	Hussaini et al.	.....	D14/413
D550,673 S *	9/2007	Wong	.....	D14/413

\* cited by examiner

*Primary Examiner*—Stella M. Reid

*Assistant Examiner*—Keli L Acker

(57) **CLAIM**

I claim the ornamental design for an interactive toy, as shown and described.

**DESCRIPTION**

FIG. 1 is an upper left front perspective view of an interactive toy showing my new design, with a base shown in dashed lines for illustrative purposes only and forms no part of the claimed design;

FIG. 2 is an upper right rear perspective view thereof;

FIG. 3 is a lower left front perspective view thereof;

FIG. 4 is a front elevational view thereof;

FIG. 5 is a right side elevational view thereof;

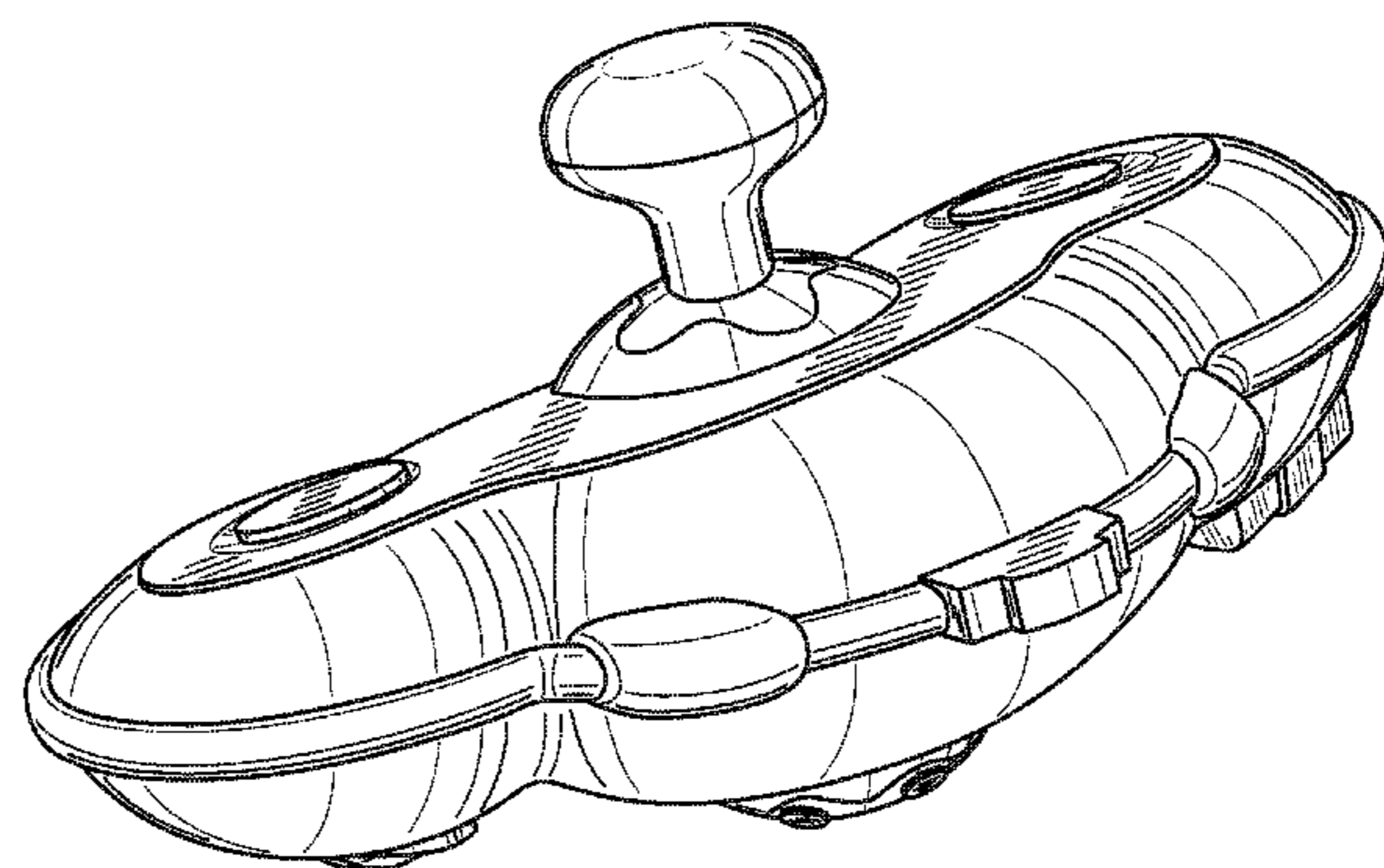
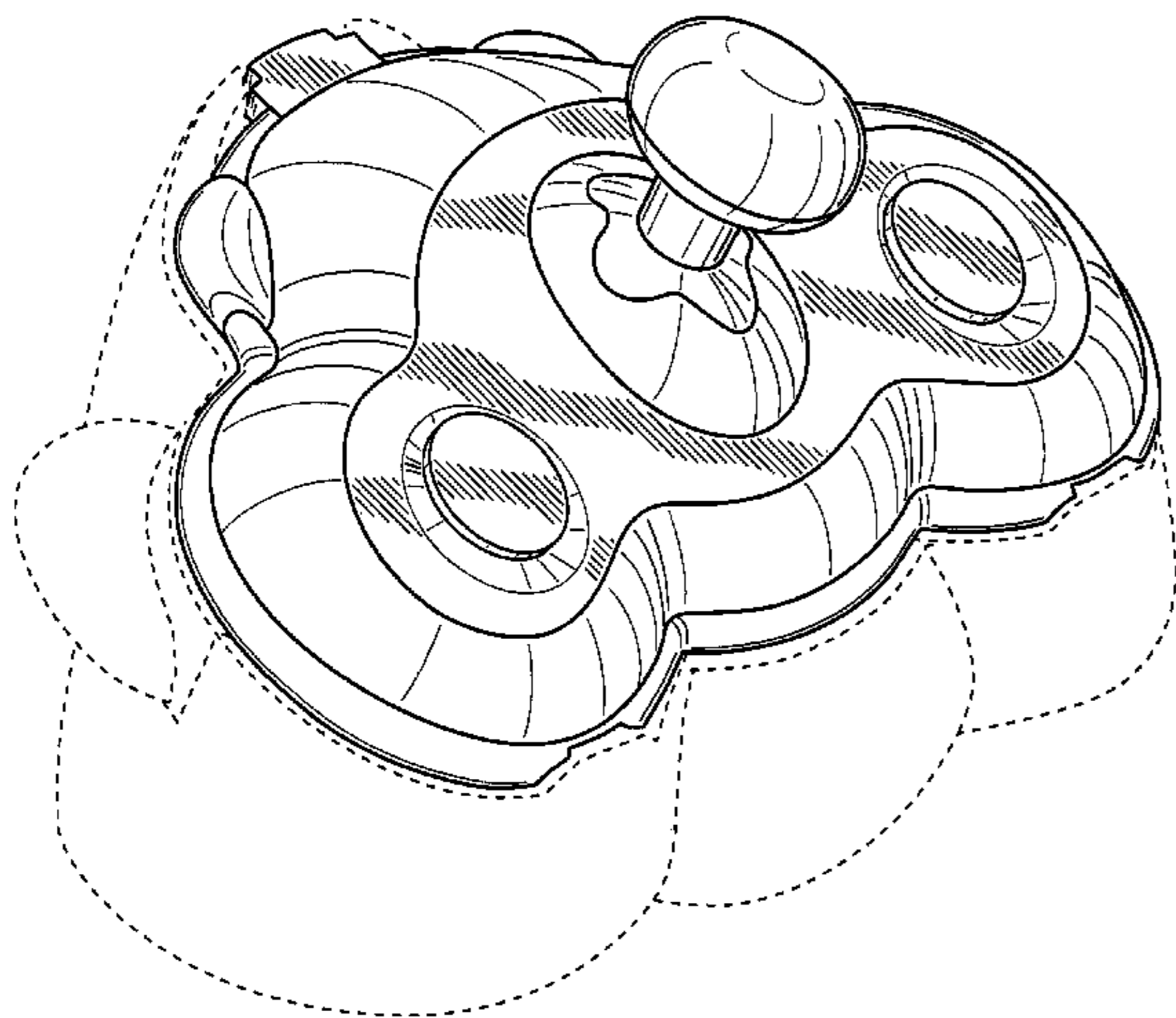
FIG. 6 is a rear elevational view thereof;

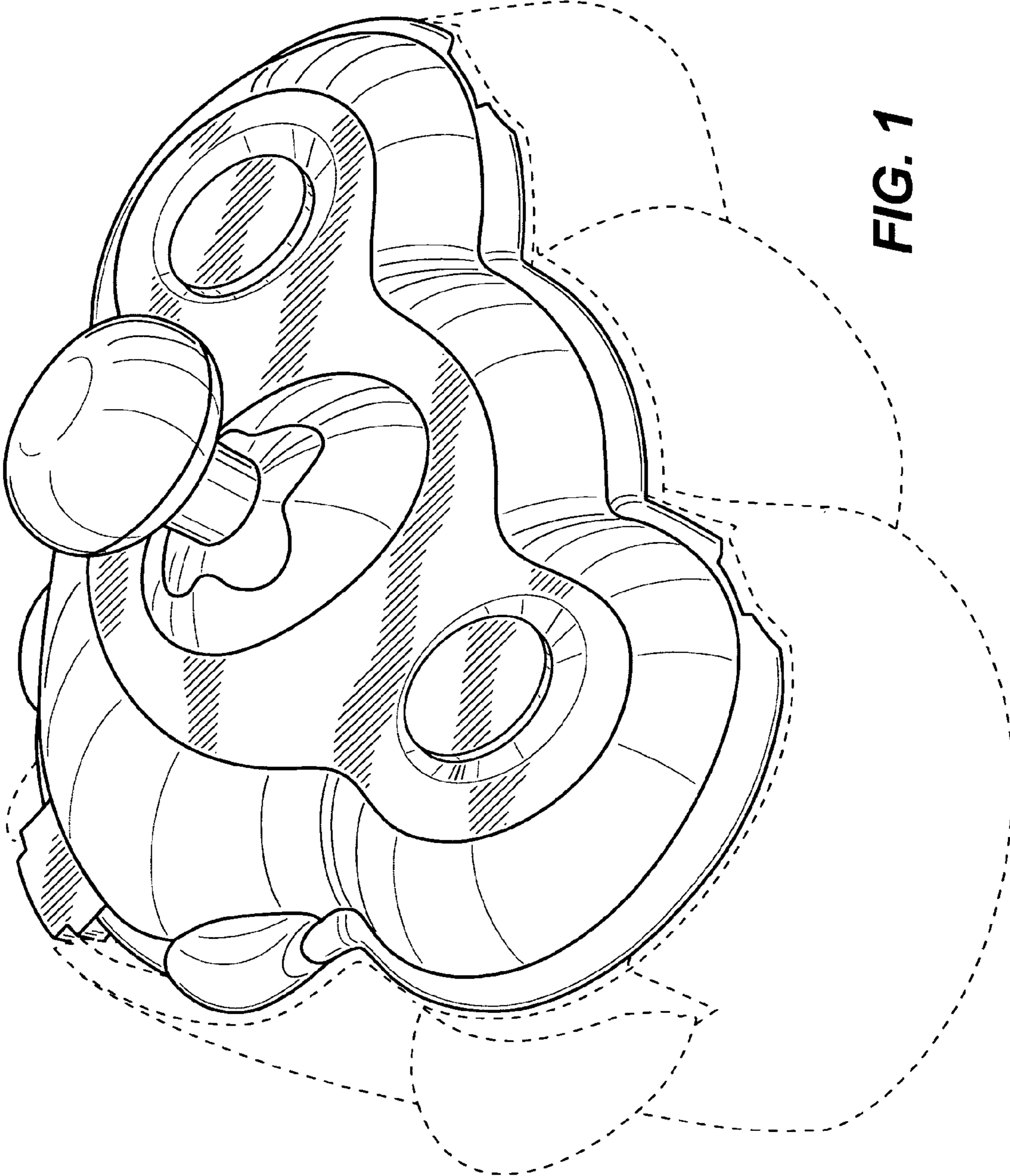
FIG. 7 is a left side elevational view thereof;

FIG. 8 is a top plan view thereof; and,

FIG. 9 is a bottom plan view thereof.

**1 Claim, 9 Drawing Sheets**





**FIG. 1**

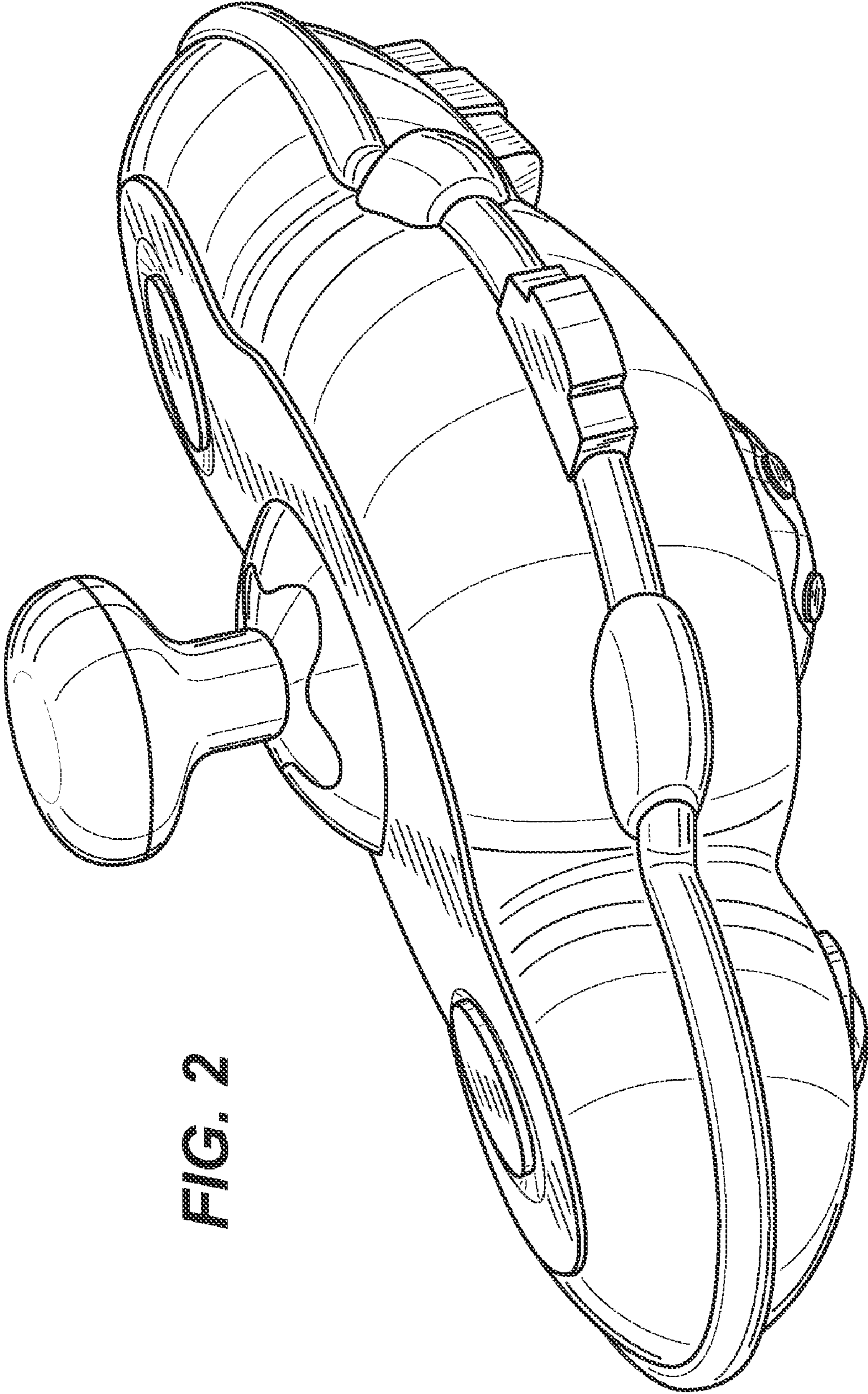
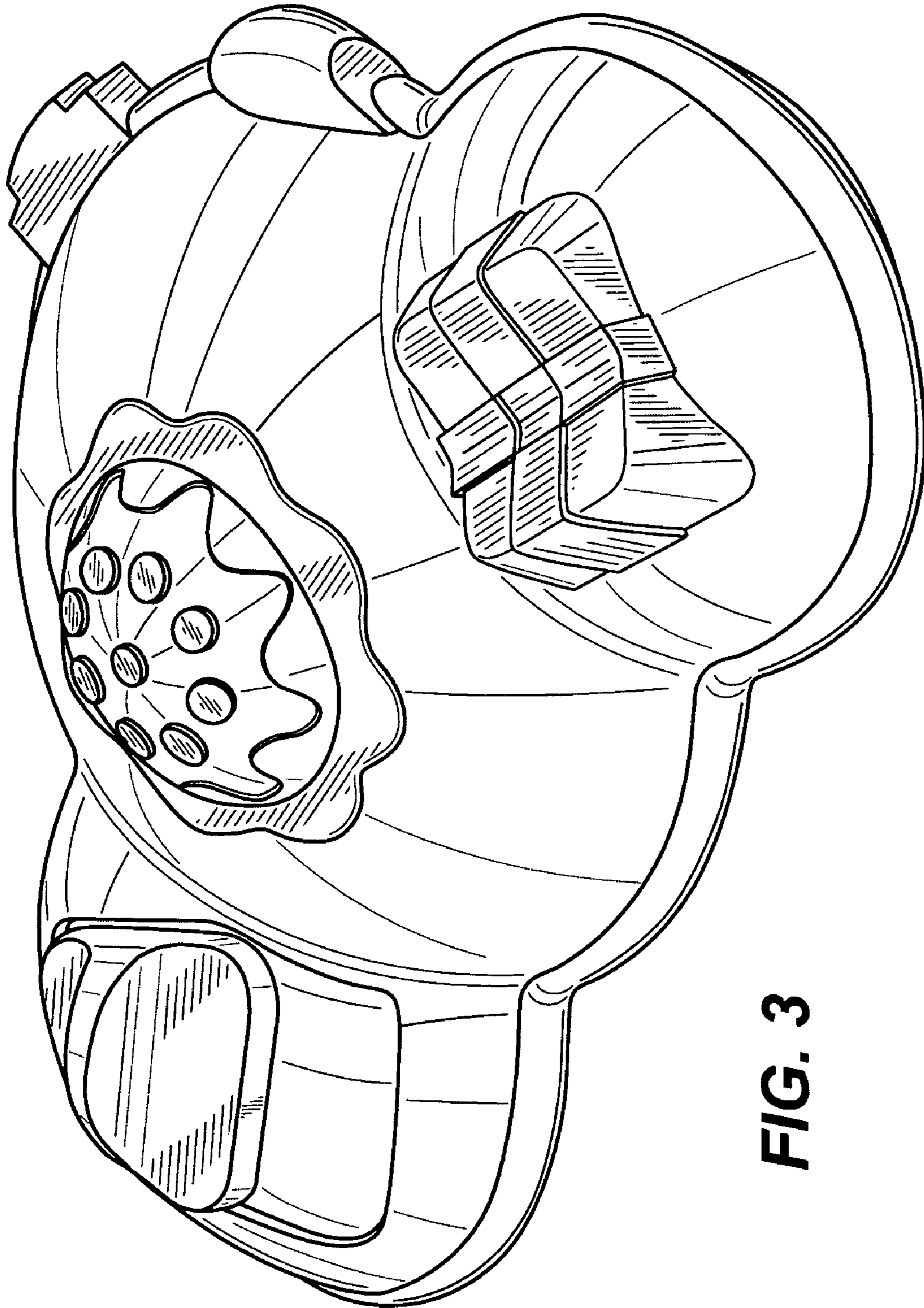
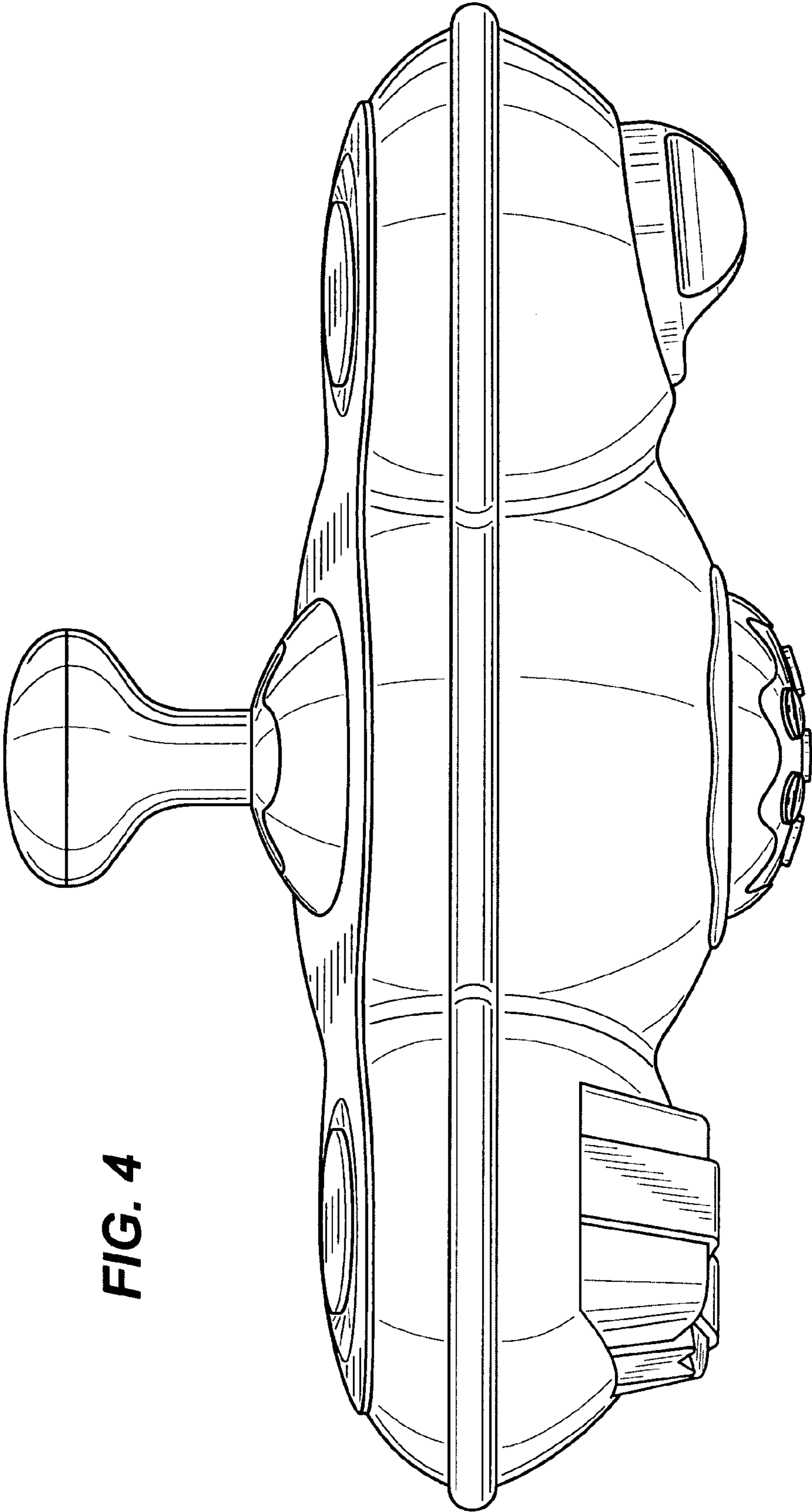


FIG. 2



**FIG. 3**



**FIG. 4**

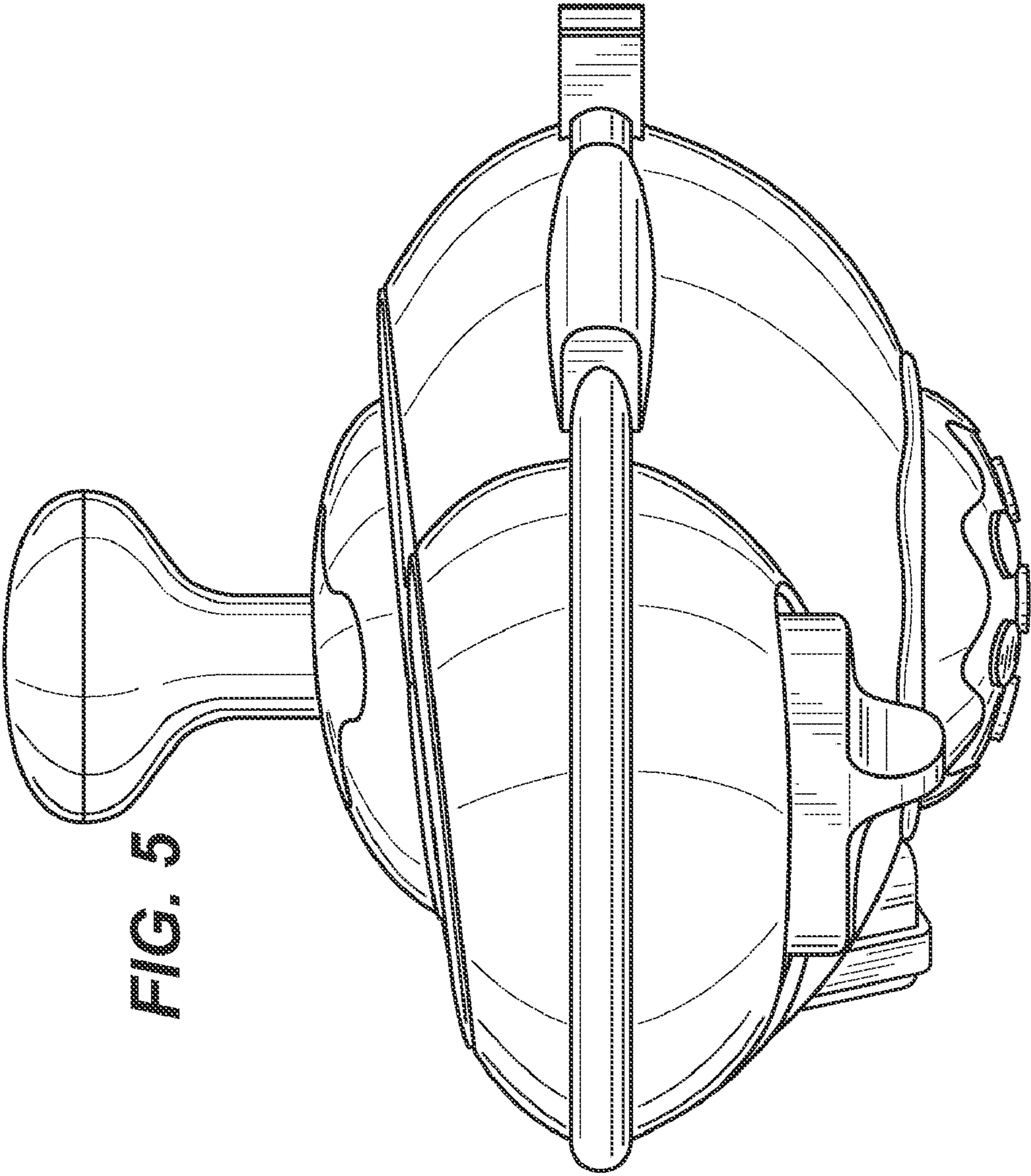
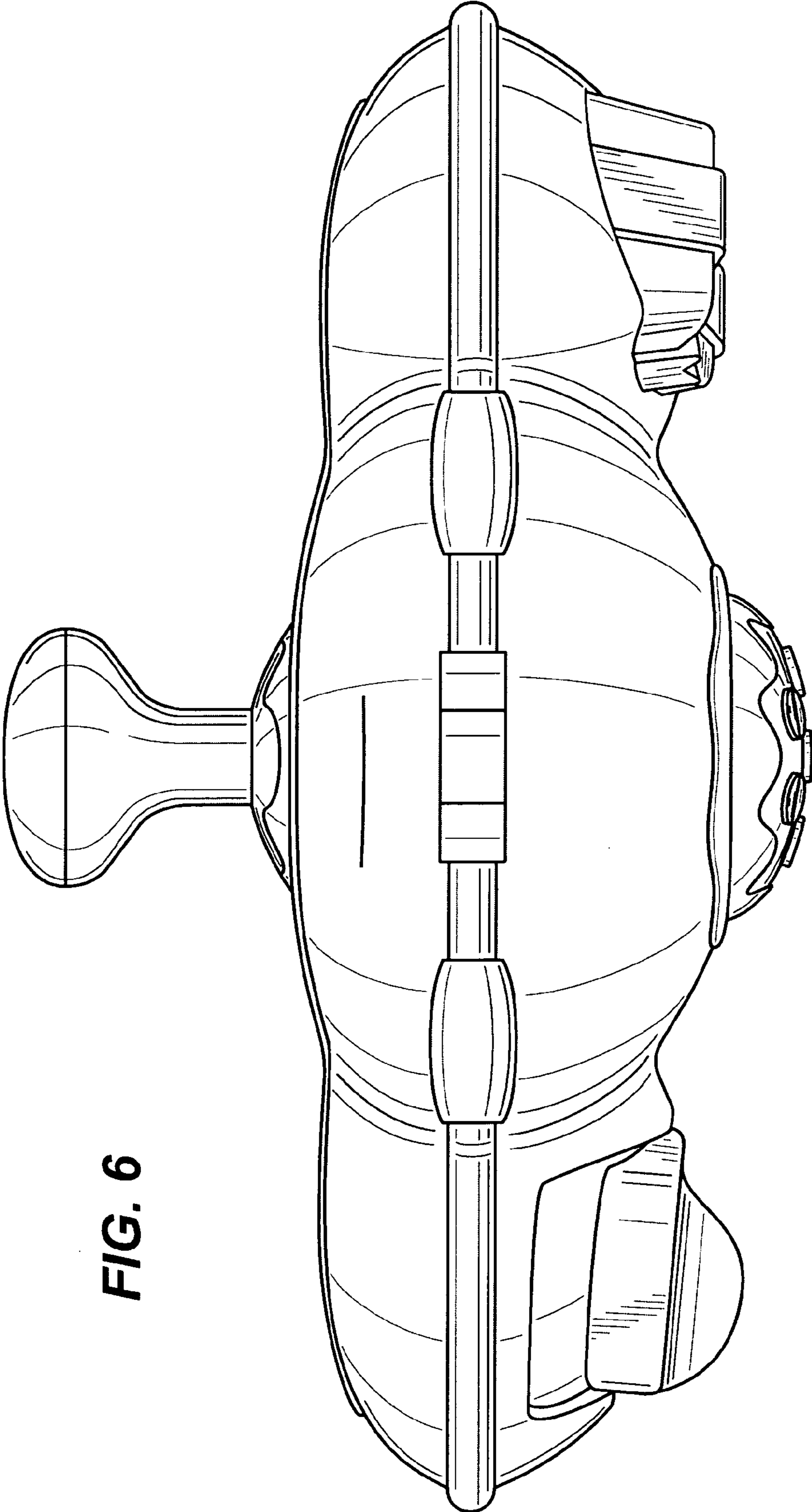
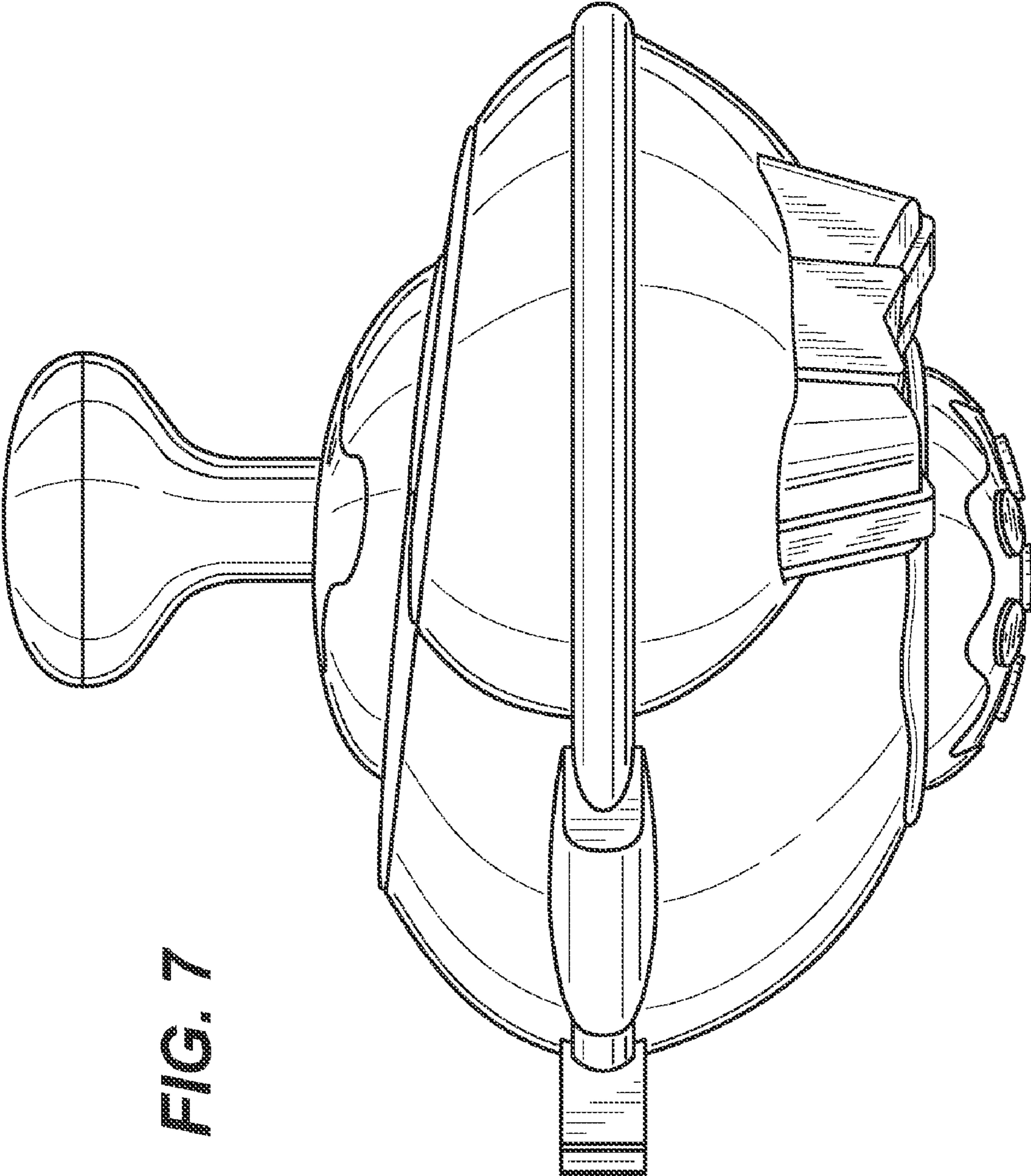


FIG. 5



**FIG. 6**



**FIG. 7**



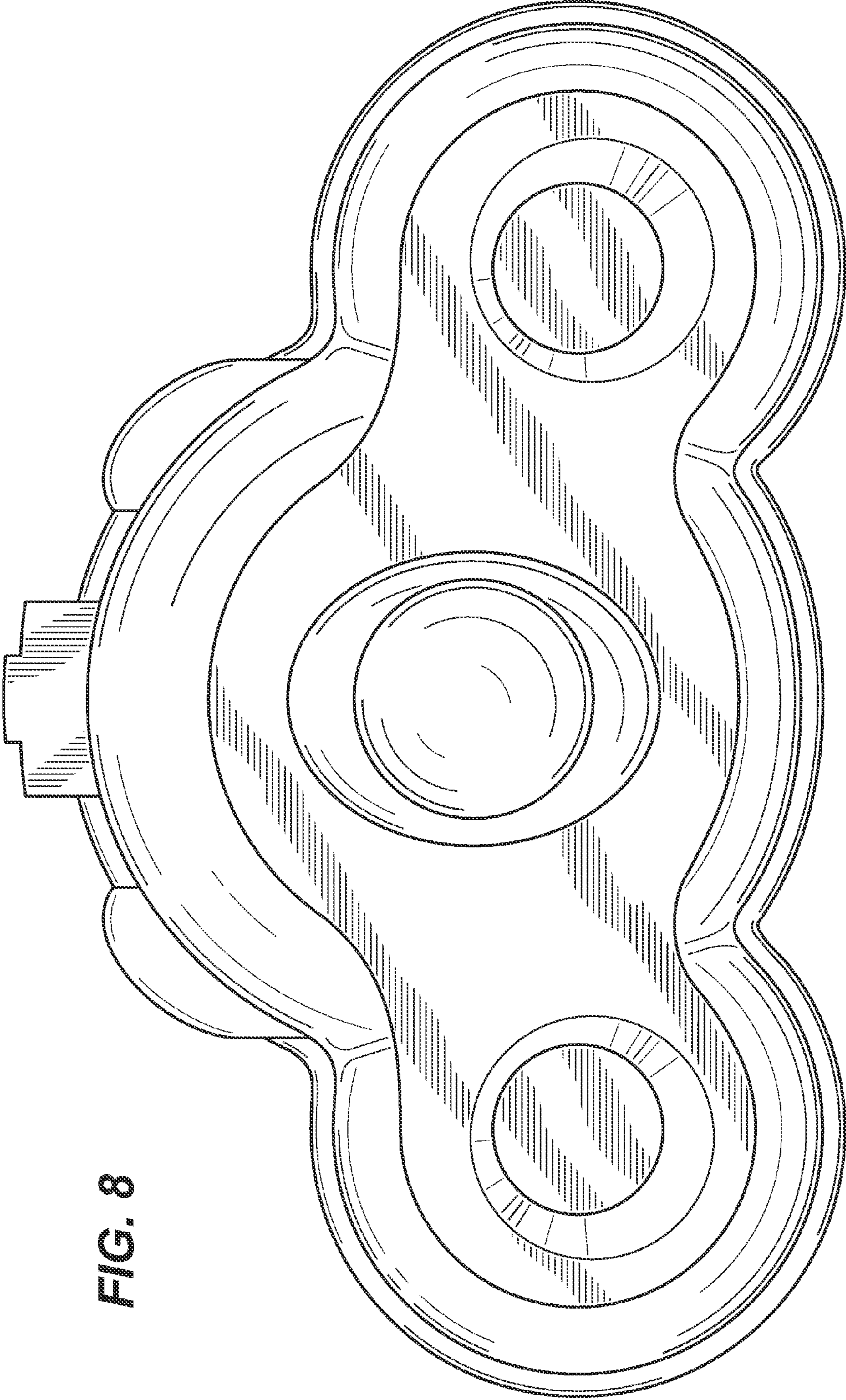


FIG. 8

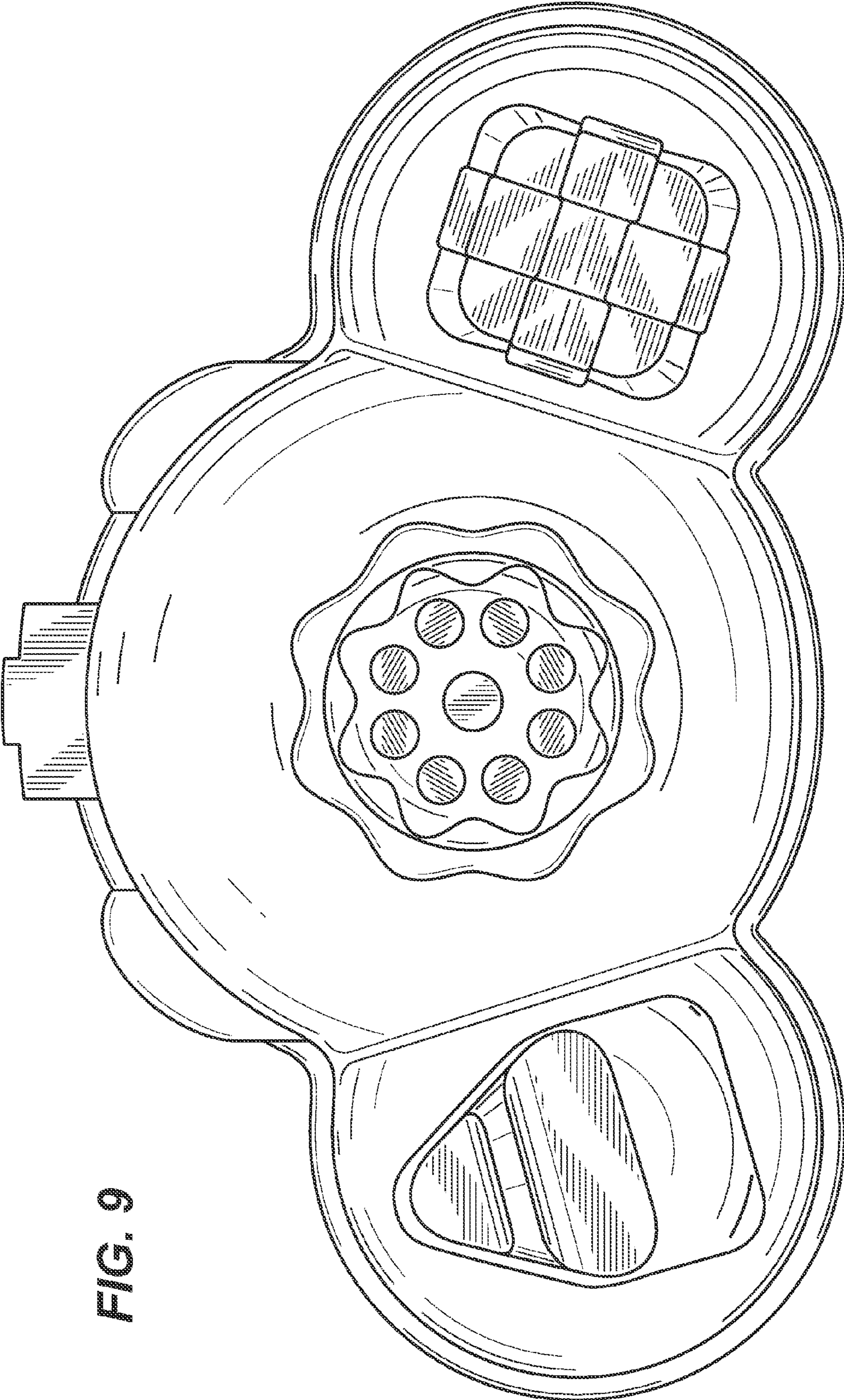


FIG. 9