

US00D573987S

(12) **United States Design Patent**
Dearborn et al.

(10) **Patent No.:** **US D573,987 S**
(45) **Date of Patent:** **** Jul. 29, 2008**

(54) **INFORMATION HANDLING SYSTEM
STORAGE DEVICE**

D515,090 S * 2/2006 Huang D14/367
D531,178 S * 10/2006 Lee D14/367
D532,785 S * 11/2006 Lo et al. D14/363

(75) Inventors: **Timothy C. Dearborn**, Lakeway, TX
(US); **Scott Lauffer**, Austin, TX (US);
Richard Crisp, Austin, TX (US)

* cited by examiner

Primary Examiner—Brian N Vinson
(74) *Attorney, Agent, or Firm*—Hamilton & Terrile, LLP;
Robert W. Holland

(73) Assignee: **Dell Products L.P.**, Round Rock, TX
(US)

(**) Term: **14 Years**

(57) **CLAIM**

(21) Appl. No.: **29/281,050**

The ornamental design for an information handling system storage device, as shown and described.

(22) Filed: **Jun. 14, 2007**

DESCRIPTION

(51) **LOC (8) Cl.** **14-02**
(52) **U.S. Cl.** **D14/363**
(58) **Field of Classification Search** D13/149,
D13/184; D14/356–369; 360/131–133,
360/97.01, 97.03; 361/683–686, 724–725,
361/752; 369/272.1, 273, 75.11, 13.01; 711/100,
711/115

FIG. 1 is a front perspective view of the information handling system storage device comprising the present invention;
FIG. 2 is a top plan view thereof;
FIG. 3 is a bottom view thereof;
FIG. 4 is a right side view thereof;
FIG. 5 is a left side view thereof;
FIG. 6 is a front view thereof; and,
FIG. 7 is a rear view thereof.

See application file for complete search history.

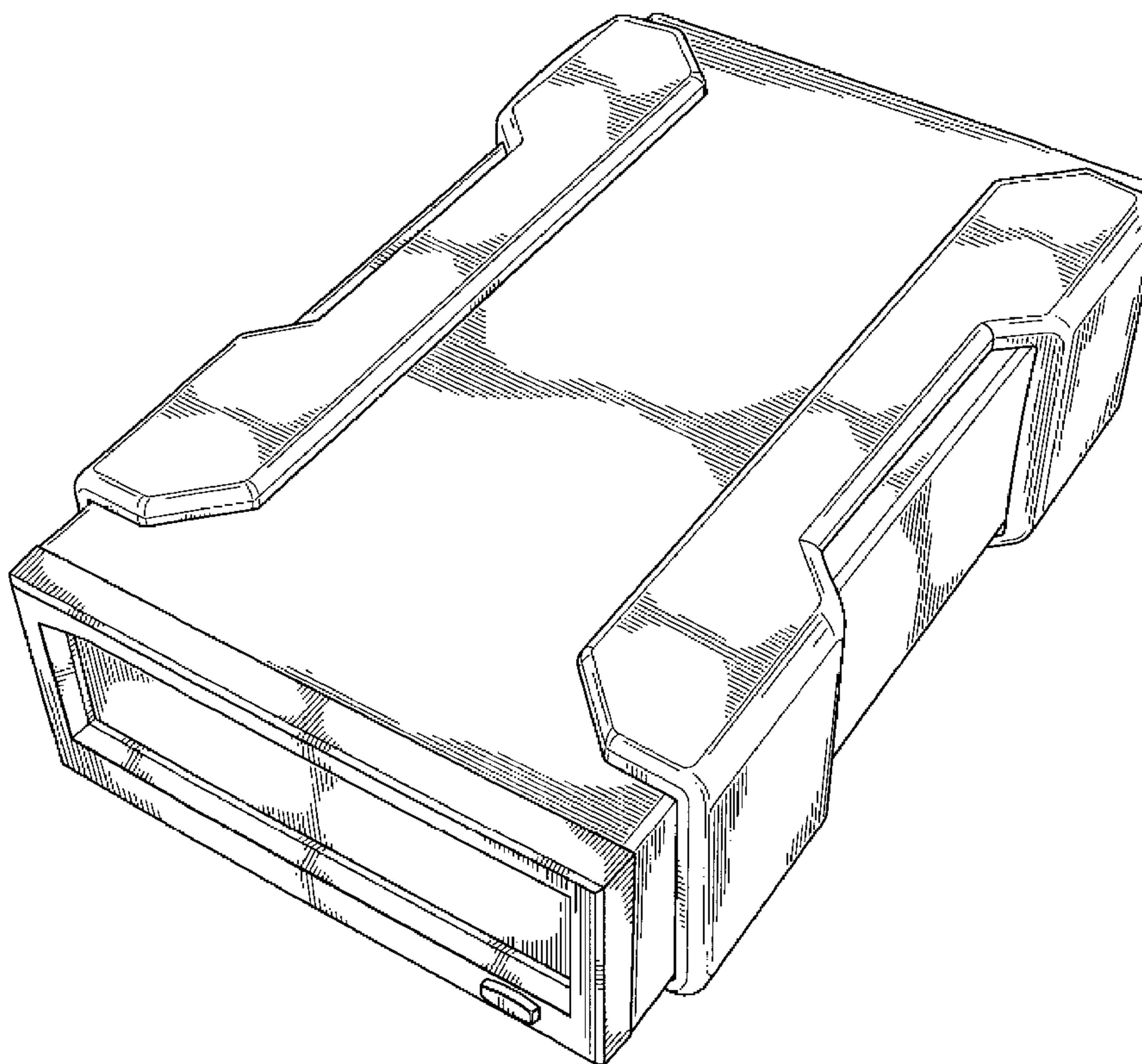
The broken-line disclosure in the views is understood to be for illustrative purposes only and forms no part of the claimed design.

(56) **References Cited**

U.S. PATENT DOCUMENTS

D464,966 S * 10/2002 Yeh D14/367
D478,329 S * 8/2003 Yamagishi et al. D14/363
D484,504 S * 12/2003 Chuang D14/367
D513,253 S * 12/2005 Kawasaki D14/363

1 Claim, 5 Drawing Sheets



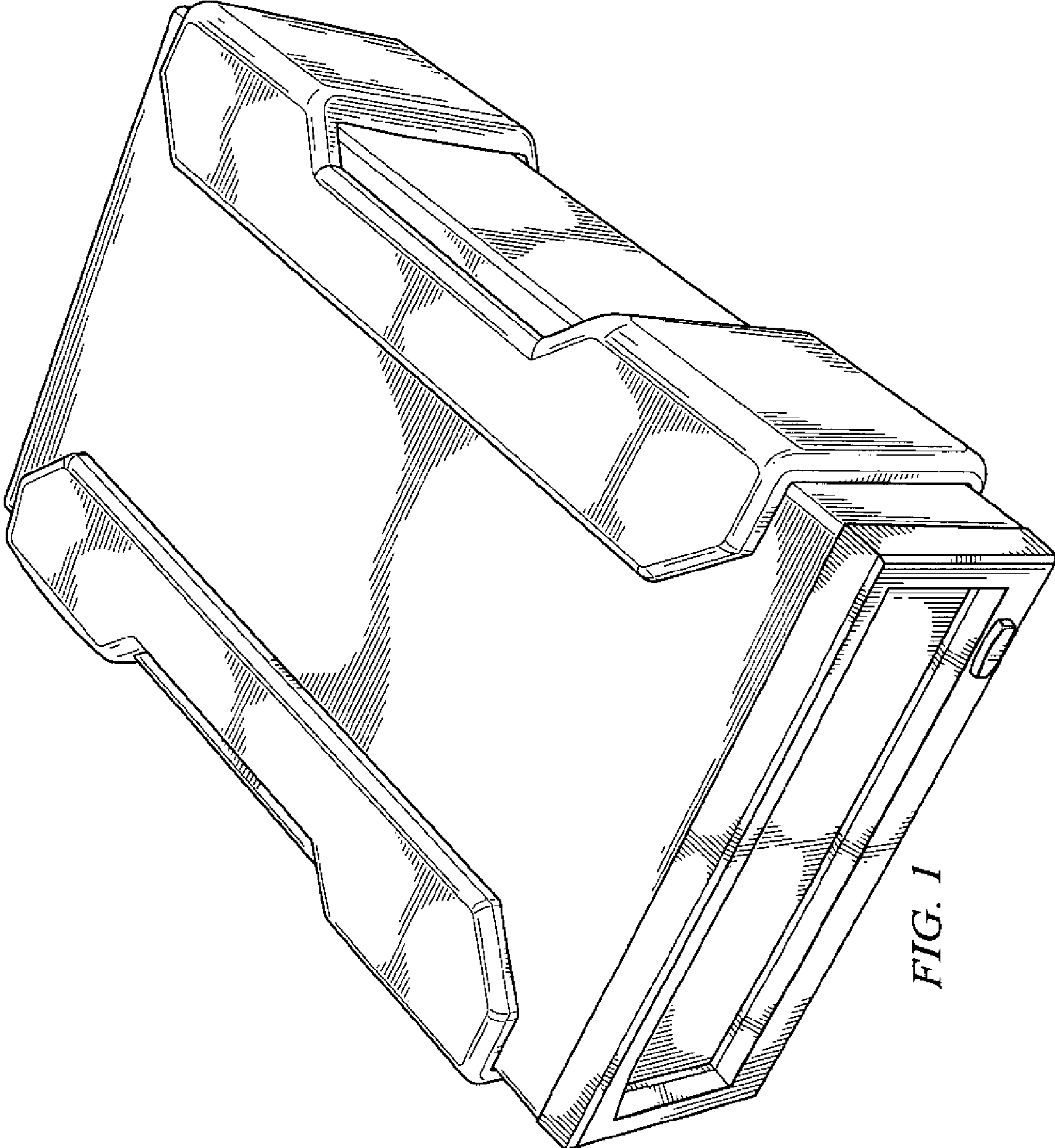


FIG. 1

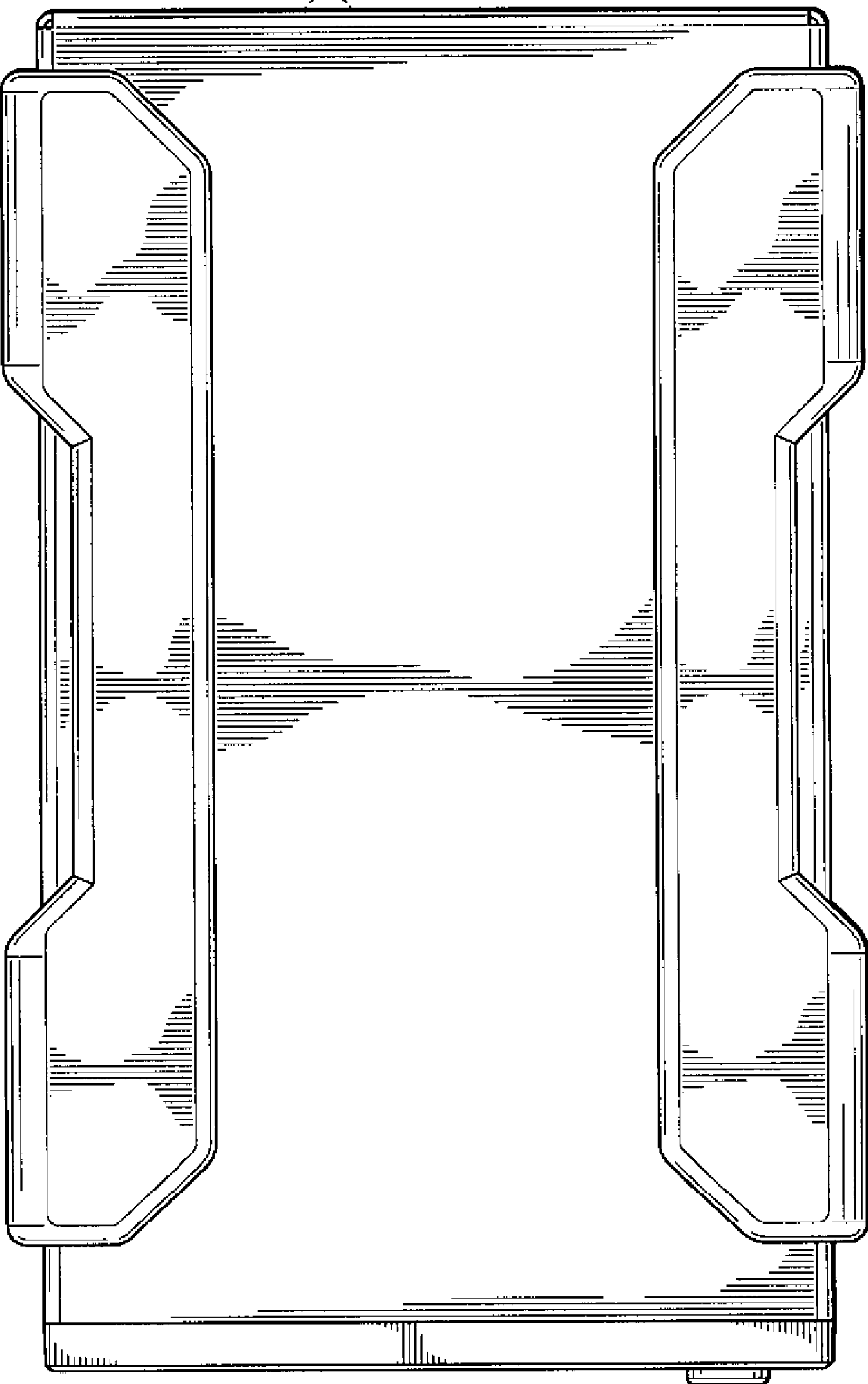


FIG. 2

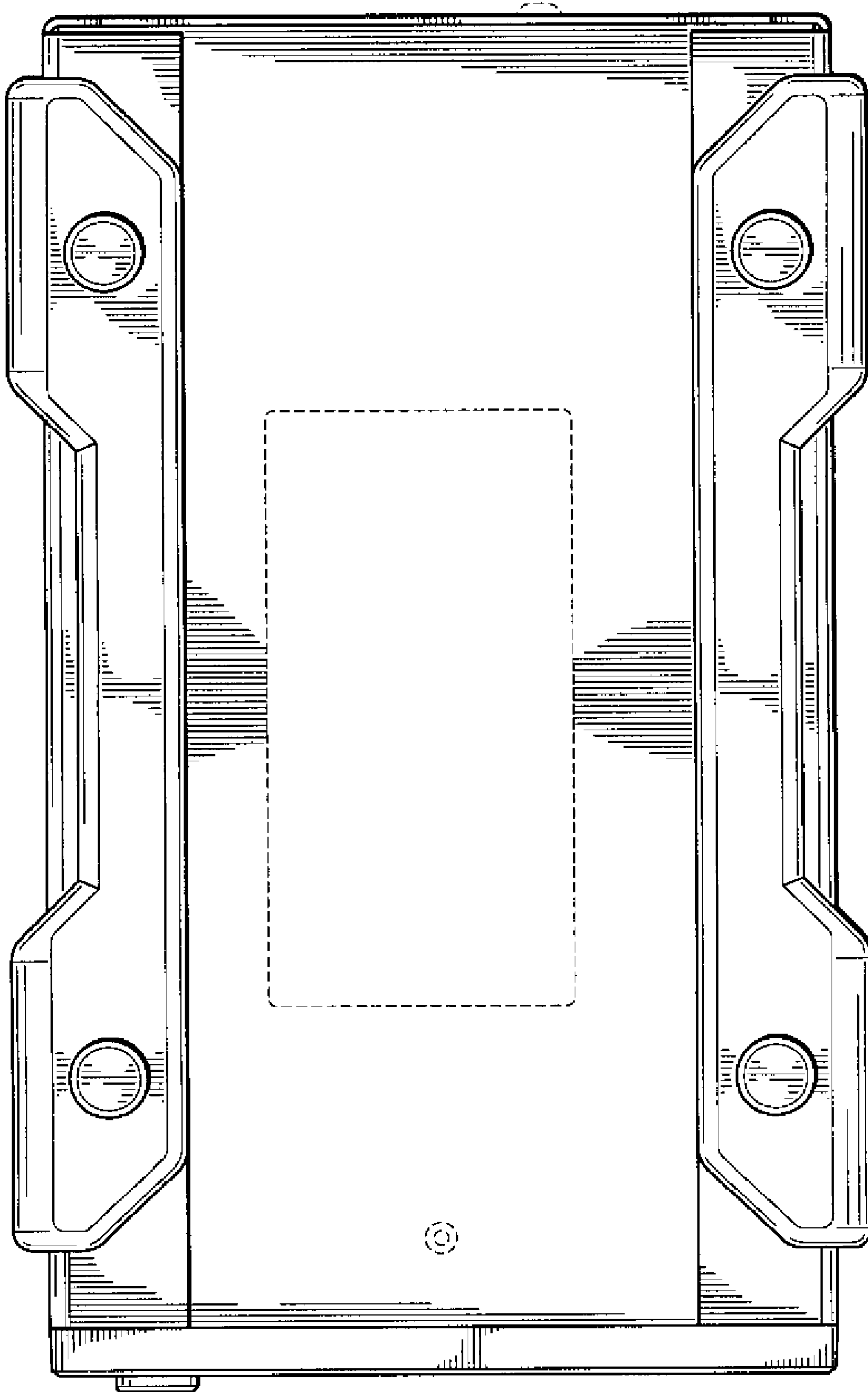


FIG. 3

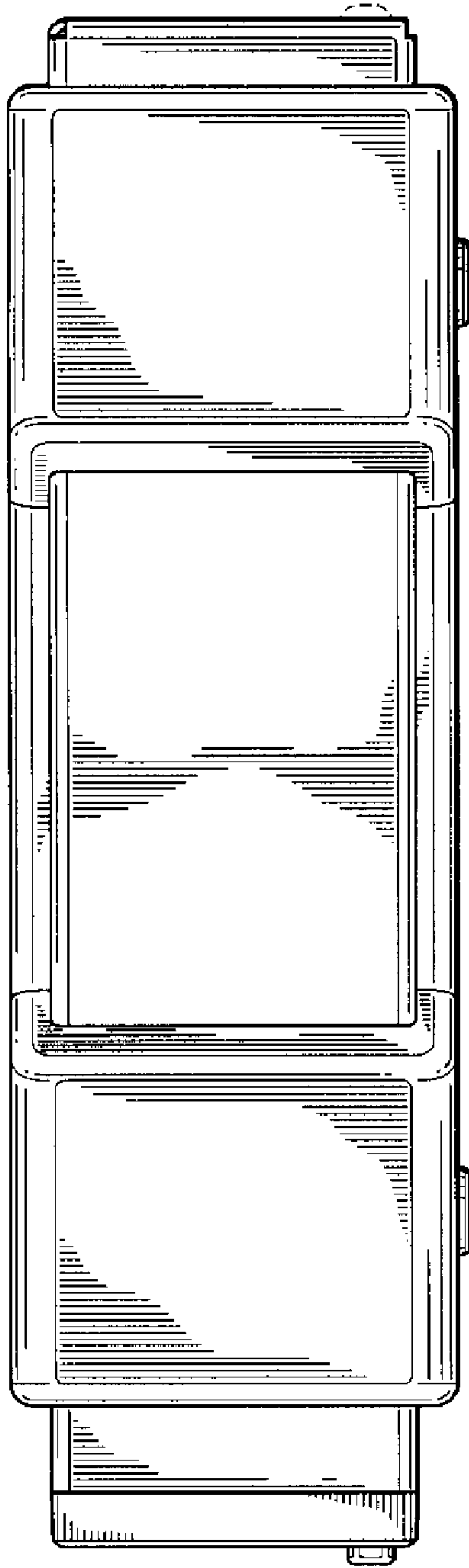


FIG. 4

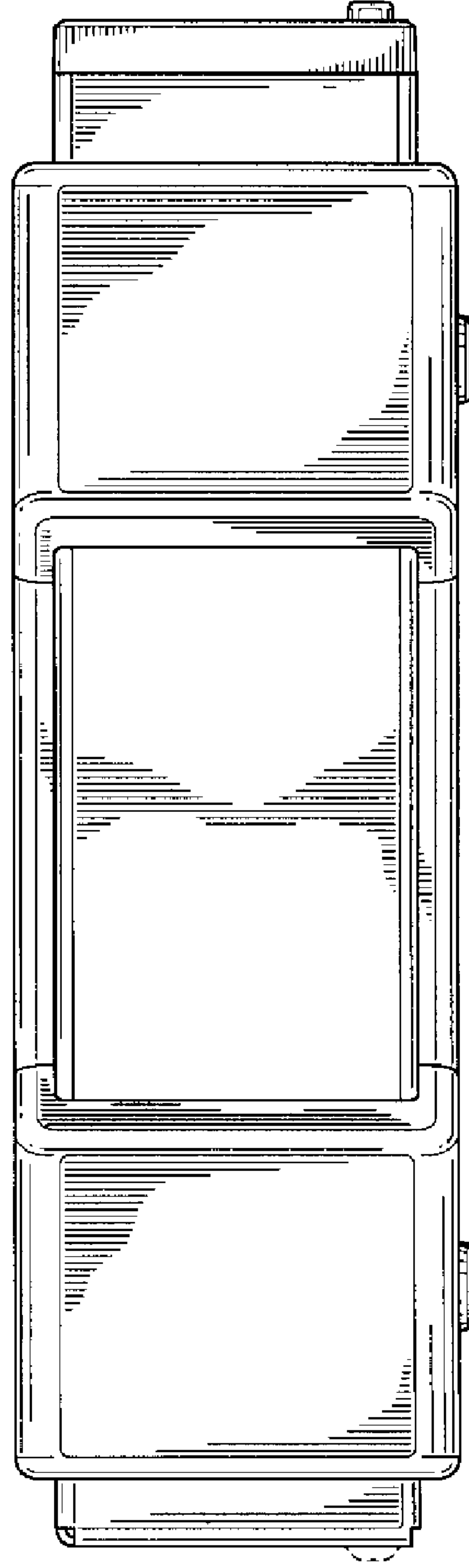


FIG. 5

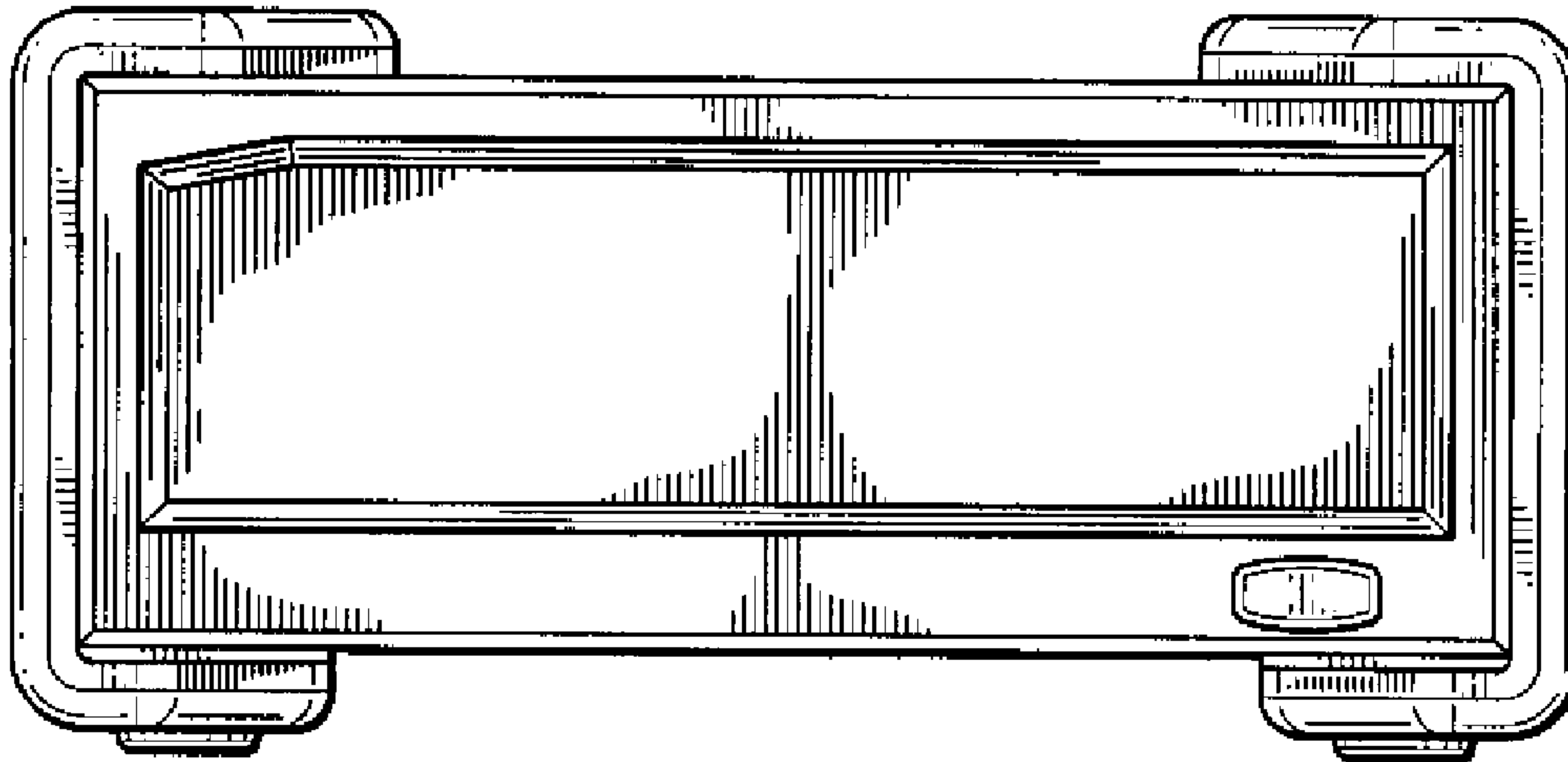


FIG. 6

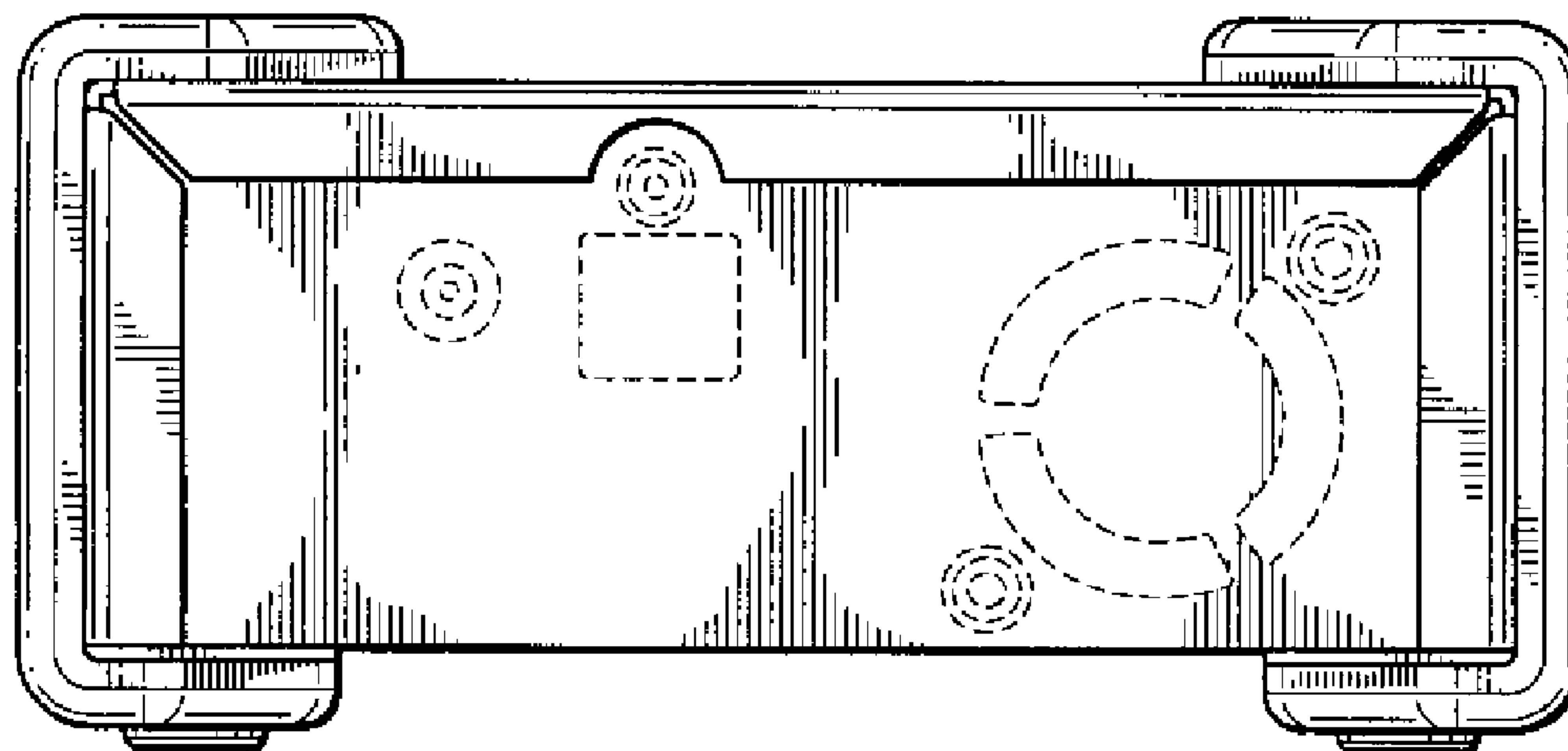


FIG. 7