



US00D573986S

(12) **United States Design Patent**  
**Sasaki et al.**

(10) **Patent No.:** **US D573,986 S**  
(45) **Date of Patent:** **\*\* Jul. 29, 2008**

(54) **SUPPORT FOR ARITHMETIC AND CONTROL UNIT**

(75) Inventors: **Seigi Sasaki**, Tokyo (JP); **Mitsuru Kamimachi**, Tokyo (JP); **Yasuhiro Orimoto**, Tokyo (JP); **Kensuke Kita**, Tokyo (JP); **Chikashi Aoki**, Tokyo (JP); **Nobuyuki Shimizu**, Tokyo (JP); **Yasuhiro Osaki**, Tokyo (JP)

(73) Assignee: **Sony Computer Entertainment Inc.**, Tokyo (JP)

(\*\*) Term: **14 Years**

(21) Appl. No.: **29/272,599**

(22) Filed: **Feb. 13, 2007**

(30) **Foreign Application Priority Data**

Sep. 21, 2006 (JP) ..... D2006-025299

(51) **LOC (8) Cl.** ..... **14-02**

(52) **U.S. Cl.** ..... **D14/307**

(58) **Field of Classification Search** ..... D14/302-307, D14/130, 146, 371, 900, 451, 127, 129; D13/163; D20/10; D21/324, 325, 329, 332; D99/28; D6/396; 194/205, 206; 361/680-687; 312/198  
See application file for complete search history.

(56) **References Cited**

**U.S. PATENT DOCUMENTS**

D357,912 S \* 5/1995 Martin ..... D14/130  
D425,875 S \* 5/2000 Wilson ..... D14/307  
D438,256 S \* 2/2001 Timmermans et al. .... D20/10  
D446,208 S \* 8/2001 Zachl ..... D14/302

D460,056 S \* 7/2002 Niitsu ..... D14/126  
D468,134 S \* 1/2003 Oikawa ..... D6/466  
D477,038 S \* 7/2003 O'Connor ..... D20/42  
D491,173 S \* 6/2004 Hendel ..... D14/307  
D517,838 S \* 3/2006 Luong ..... D14/129  
D532,417 S \* 11/2006 Becker et al. .... D14/307  
D541,267 S \* 4/2007 Sagen et al. .... D14/307  
D551,184 S \* 9/2007 Kanou et al. .... D14/129

\* cited by examiner

*Primary Examiner*—Cathron Brooks

*Assistant Examiner*—Deanna Fluegeman

(74) *Attorney, Agent, or Firm*—Rader, Fishman & Grauer, PLLC

(57) **CLAIM**

The ornamental design for a support for arithmetic and control unit, as shown and described.

**DESCRIPTION**

FIG. 1 is a front perspective view of a support for arithmetic and control unit showing our new design;

FIG. 2 is a rear perspective view thereof;

FIG. 3 is a left side perspective view thereof;

FIG. 4 is a right side perspective view thereof;

FIG. 5 is a top perspective view thereof;

FIG. 6 is a bottom perspective view thereof;

FIG. 7 is a left perspective view thereof; and,

FIG. 8 is a right perspective view thereof.

The portions indicated in broken lines are for illustrative purposes only and form no part of the claimed design.

**1 Claim, 8 Drawing Sheets**

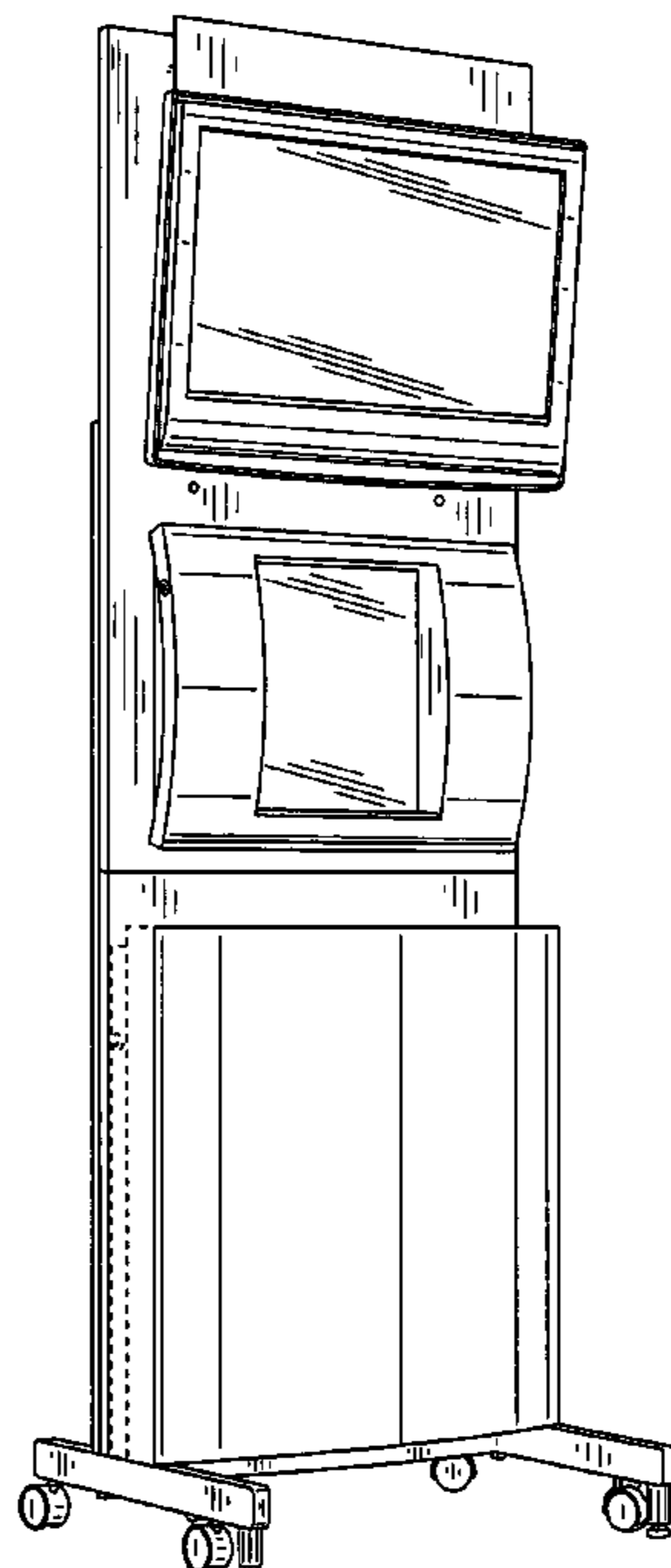


FIG.1

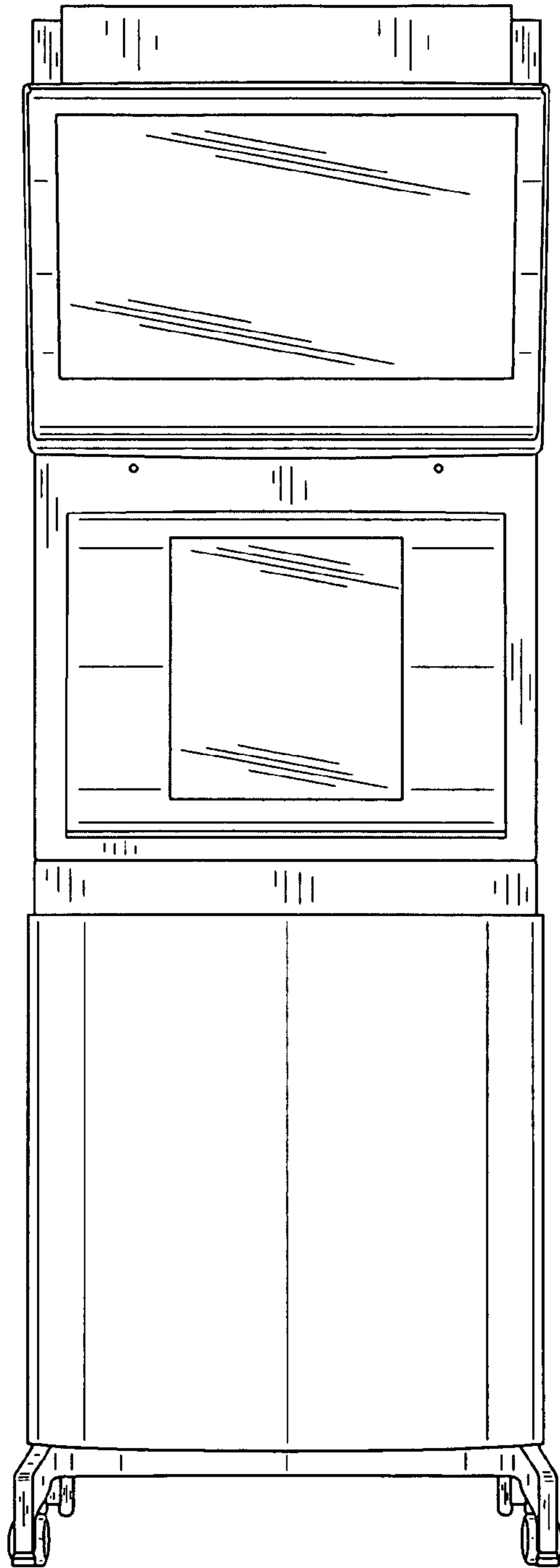


FIG.2

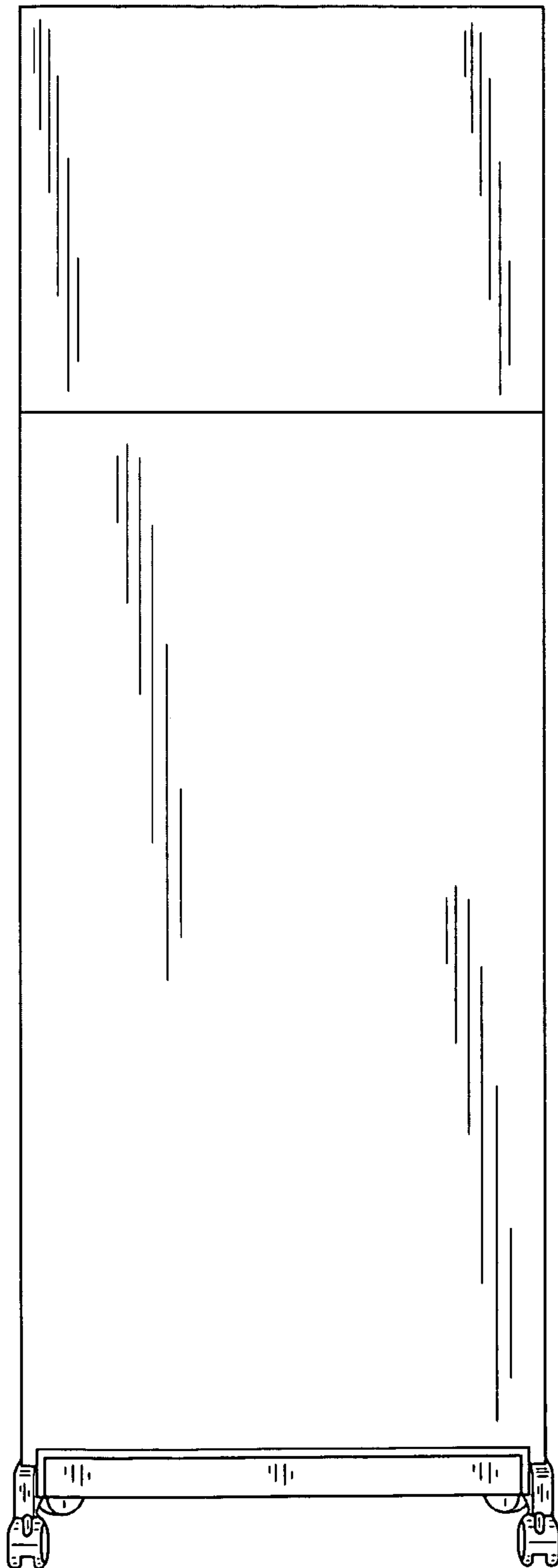


FIG.3

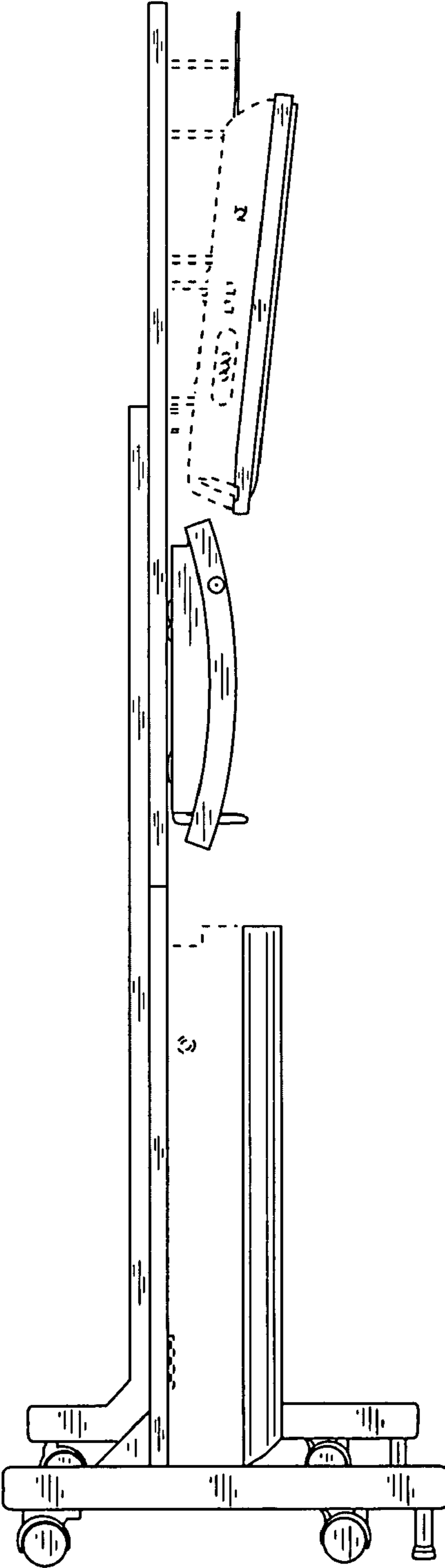


FIG.4

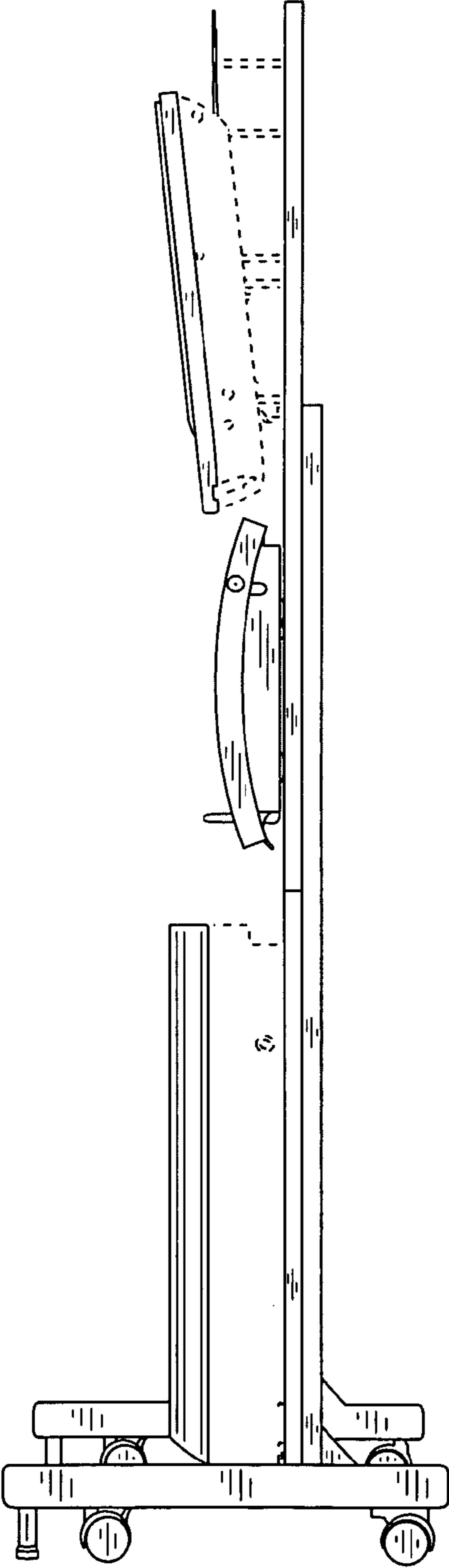


FIG.5

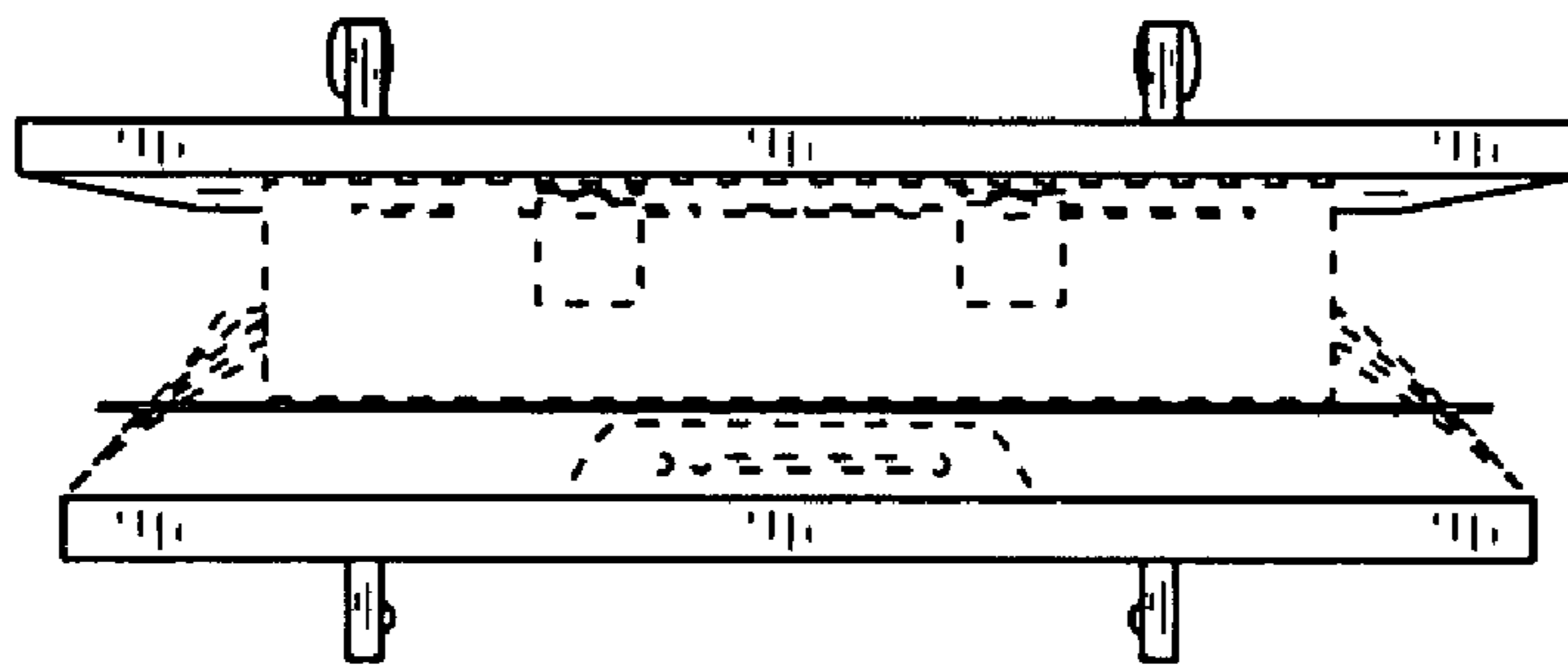


FIG.6

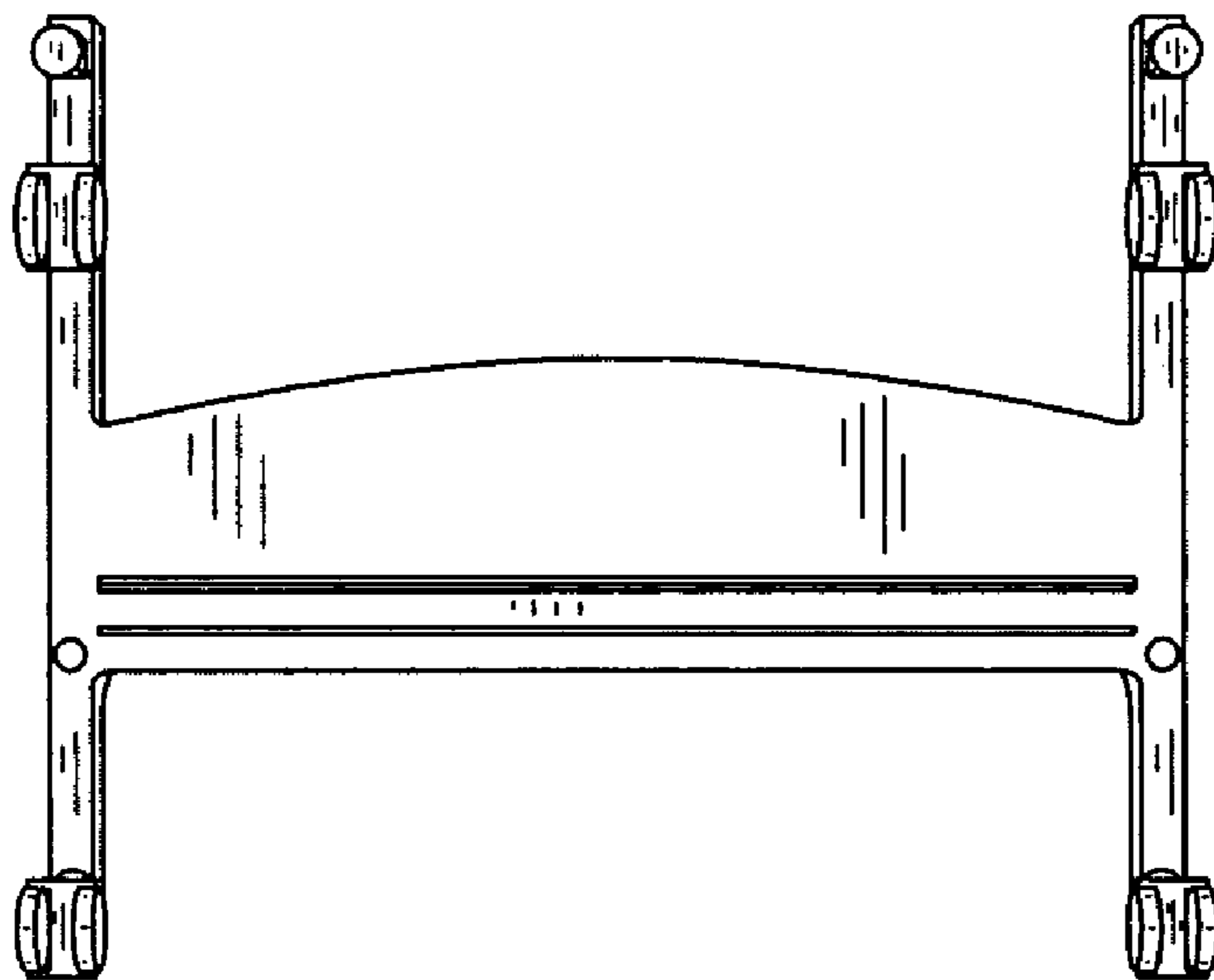


FIG.7

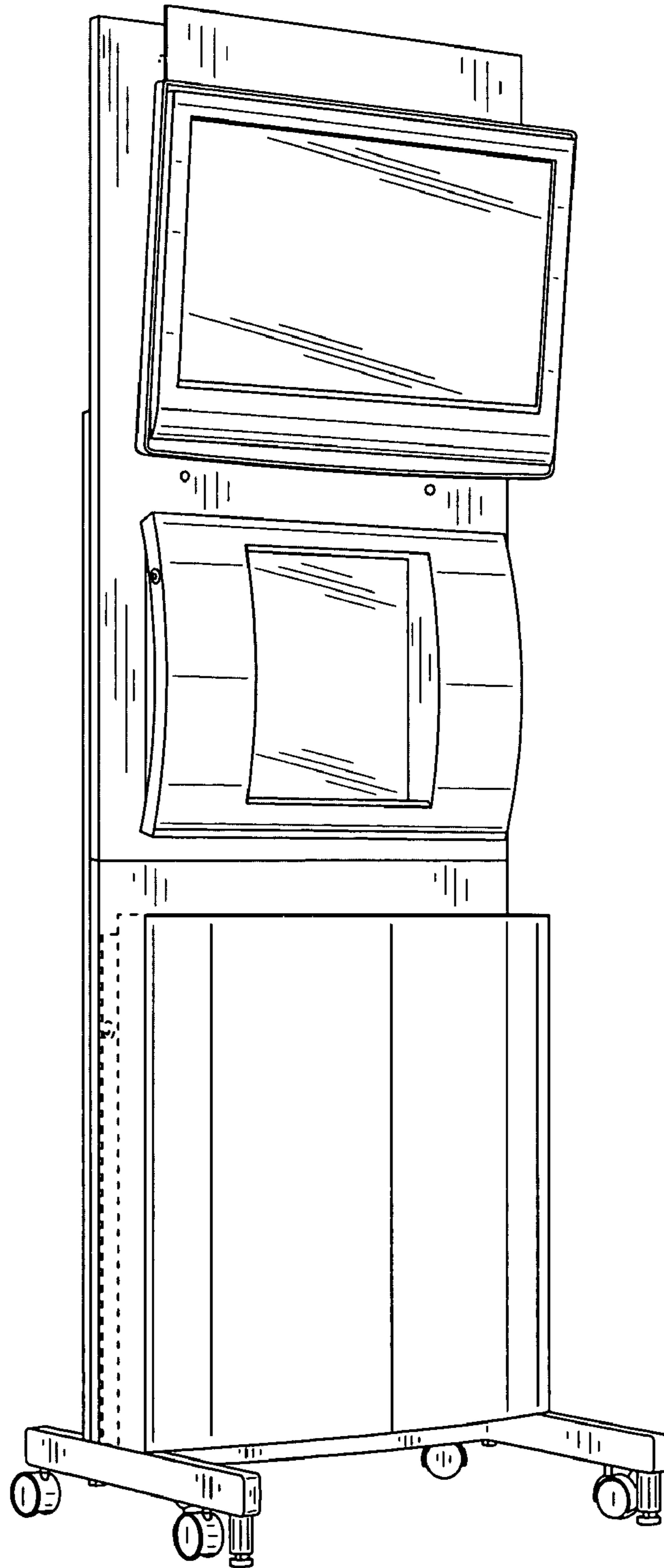




FIG.8

