



US00D573985S

(12) **United States Design Patent**
Jeong et al.

(10) **Patent No.:** **US D573,985 S**
(45) **Date of Patent:** **** Jul. 29, 2008**

(54) **HOME GATEWAY**

(75) Inventors: **Hwan Hee Jeong**, Kyungki-Do (KR);
Gil Seob Lee, Seoul (KR); **Sung Gi Lim**, Seoul (KR)

(73) Assignee: **Samsung Electronics Co., Ltd.**, Suwon (KR)

(**) Term: **14 Years**

(21) Appl. No.: **29/285,368**

(22) Filed: **Mar. 27, 2007**

(51) **LOC (8) Cl.** **14-02**

(52) **U.S. Cl.** **D14/240**

(58) **Field of Classification Search** D14/356,
D14/358, 233, 240, 242, 300, 348, 388, 433,
D14/218; D13/184; 360/69; 379/220.1,
379/220.14, 25, 93.09, 93.15, 156, 900, 338,
379/329; 381/124; 607/36; 455/550.1; 361/683
See application file for complete search history.

(56) **References Cited**

U.S. PATENT DOCUMENTS

D379,993 S * 6/1997 Devitt et al. D14/240
D435,041 S * 12/2000 Coker et al. D14/240
D466,486 S * 12/2002 Gillingham et al. D13/184

D472,555 S * 4/2003 Tomino D14/240
D479,238 S * 9/2003 Brown D14/388
D486,829 S * 2/2004 Wang et al. D14/242
6,711,005 B2 * 3/2004 Martin 361/683
7,038,906 B2 * 5/2006 Hubbard 361/683
D540,315 S * 4/2007 Merrow et al. D14/240
D566,710 S * 4/2008 Chun et al. D14/240

* cited by examiner

Primary Examiner—Charles A Rademaker

(74) *Attorney, Agent, or Firm*—Ladas and Parry LLP

(57) **CLAIM**

The ornamental design for home gateway, as shown.

DESCRIPTION

FIG. 1 is a front/left-side/top perspective view of a home gateway showing our new design;

FIG. 2 is a front elevational view thereof;

FIG. 3 is a rear elevational view thereof;

FIG. 4 is a left-side elevational view thereof;

FIG. 5 is a right-side elevational view thereof;

FIG. 6 is a top plan view thereof; and,

FIG. 7 is a bottom plan view thereof.

1 Claim, 6 Drawing Sheets

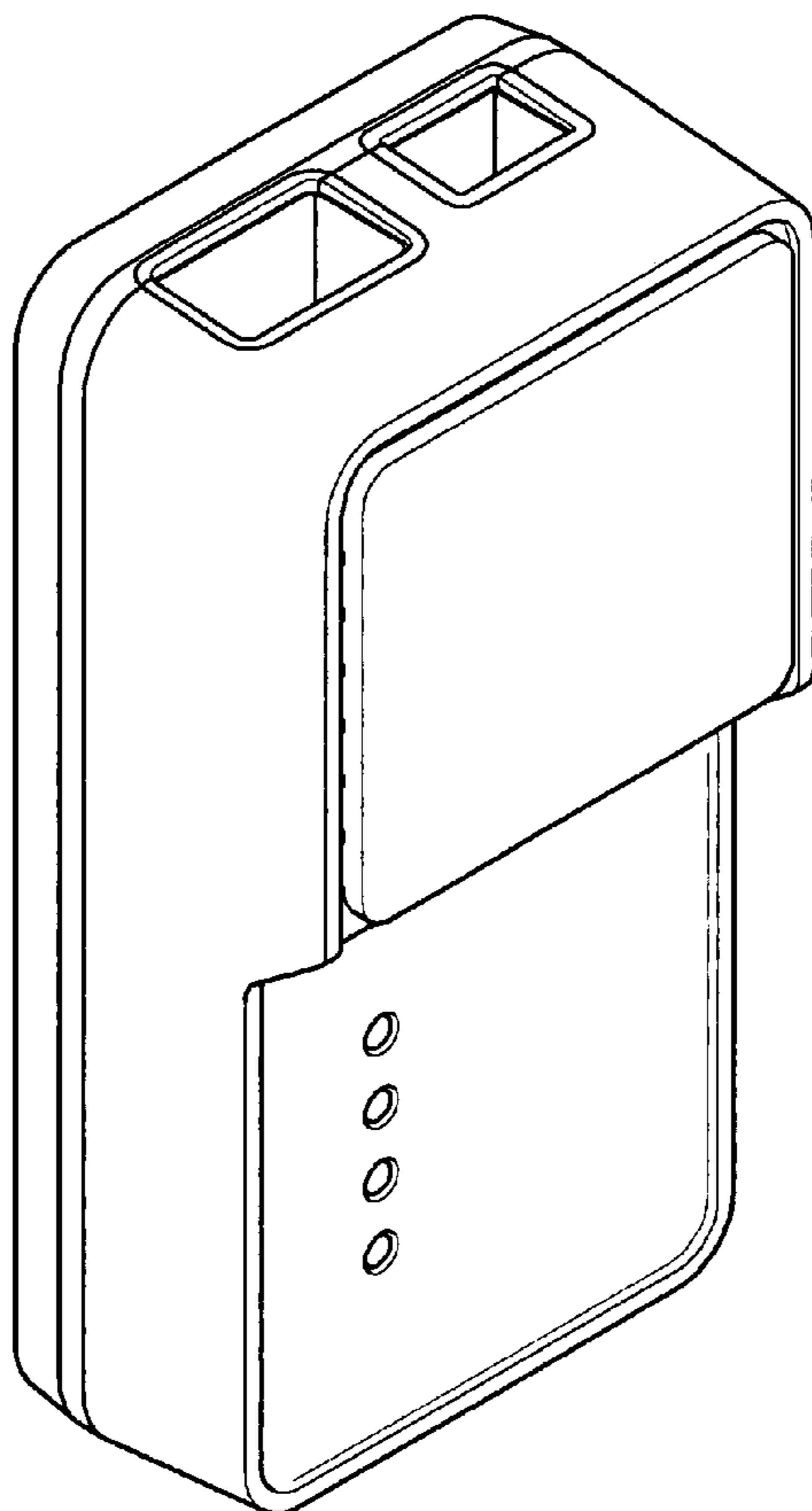


FIG. 1

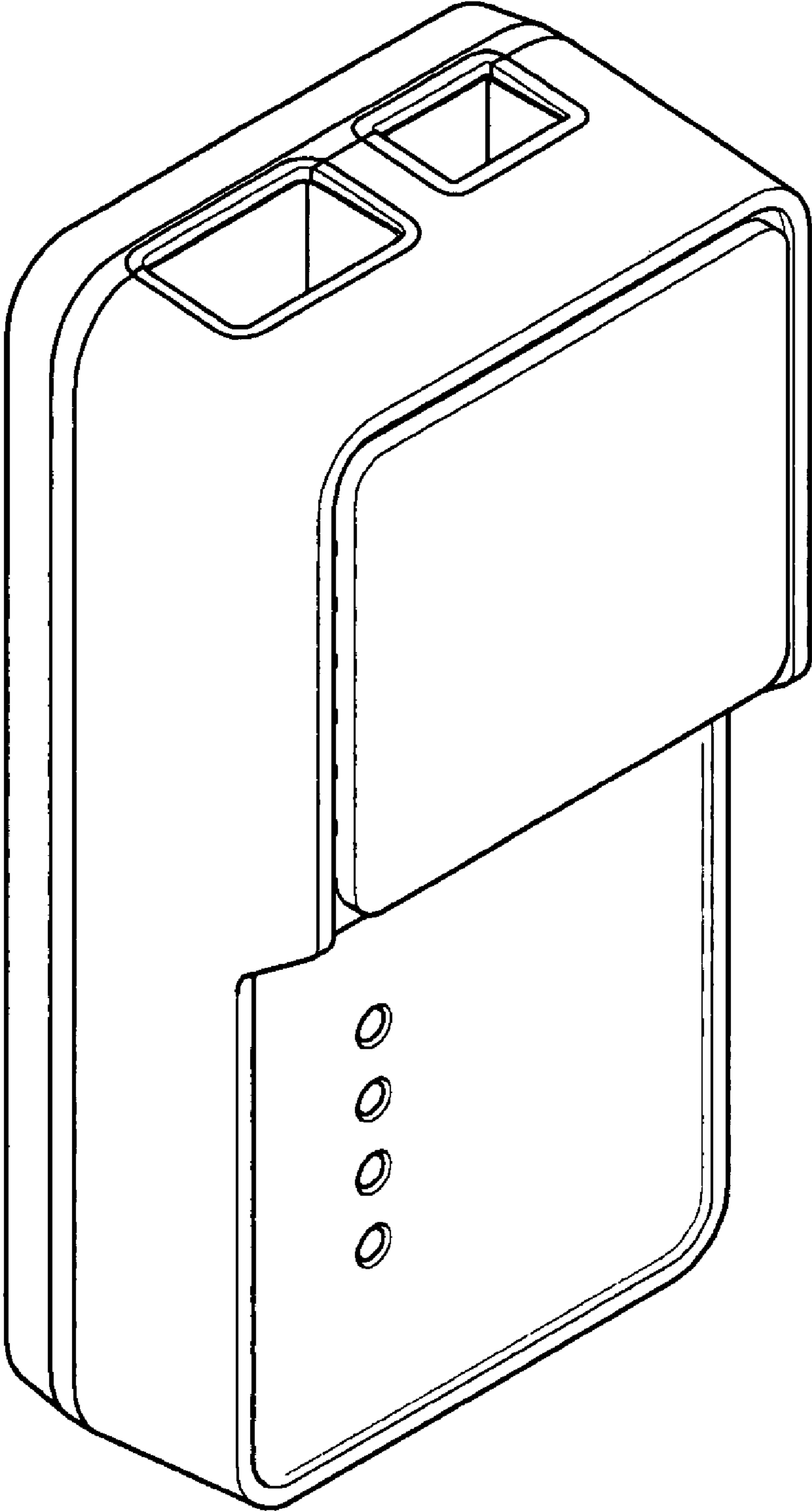


FIG. 2

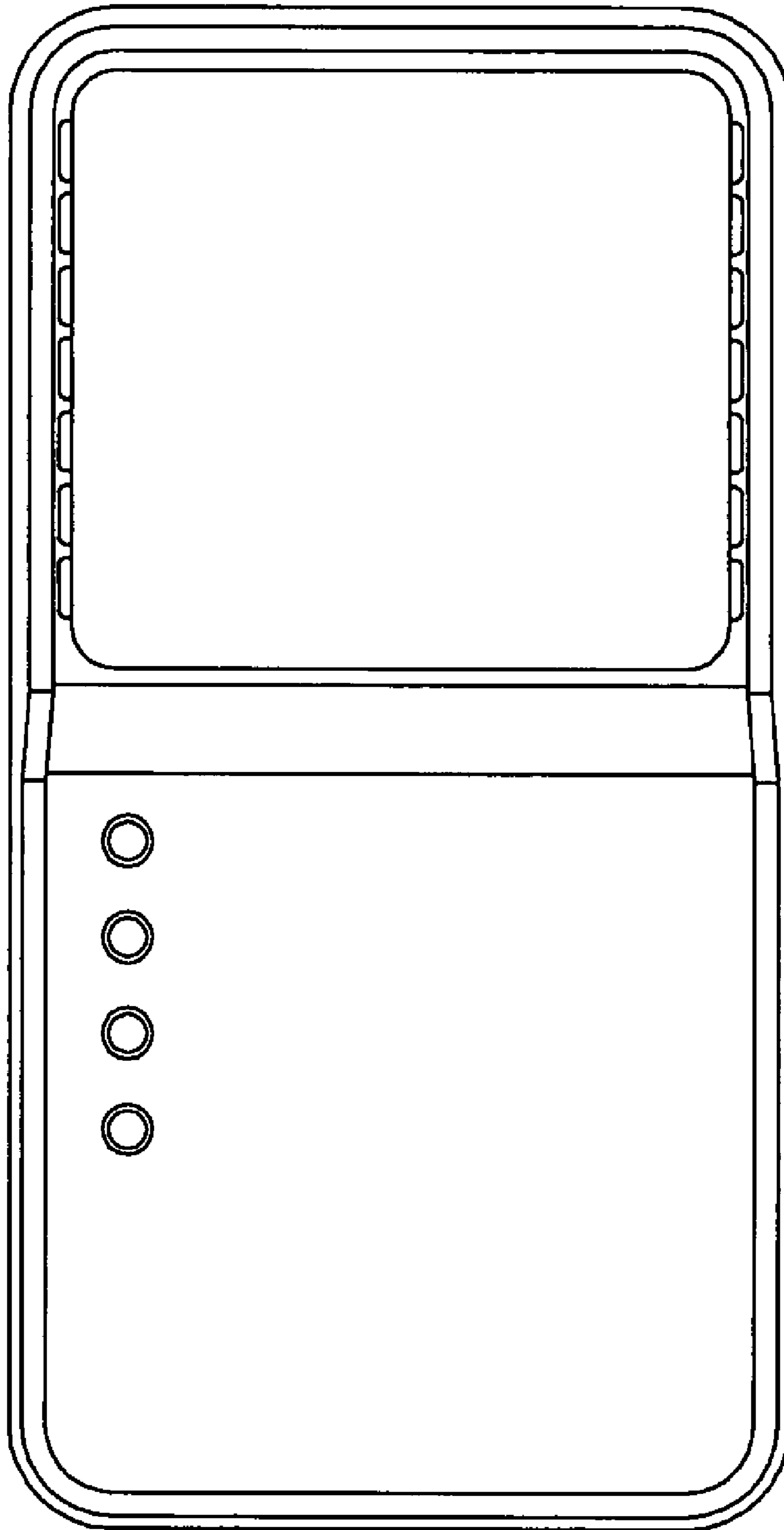


FIG. 3

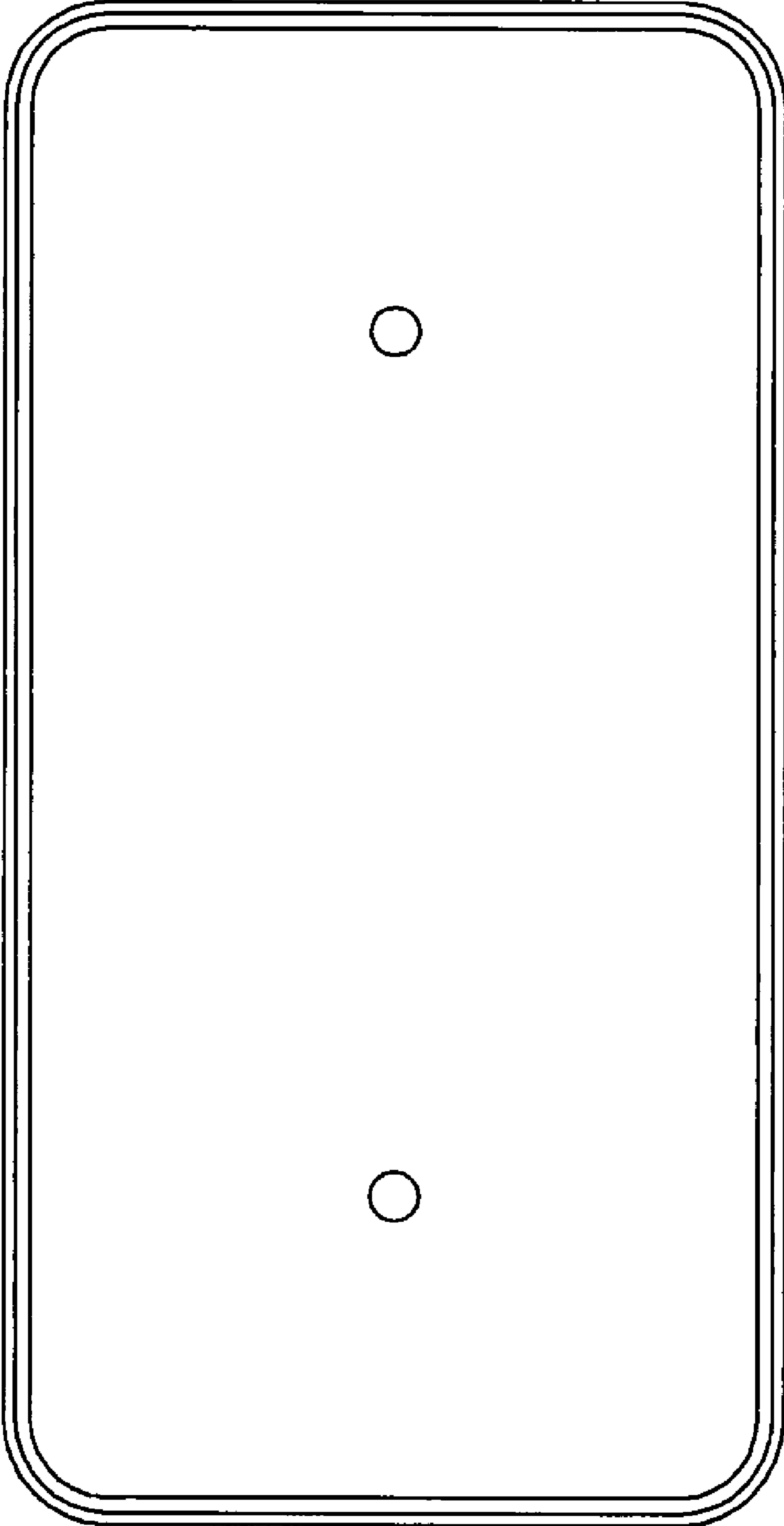


FIG. 4

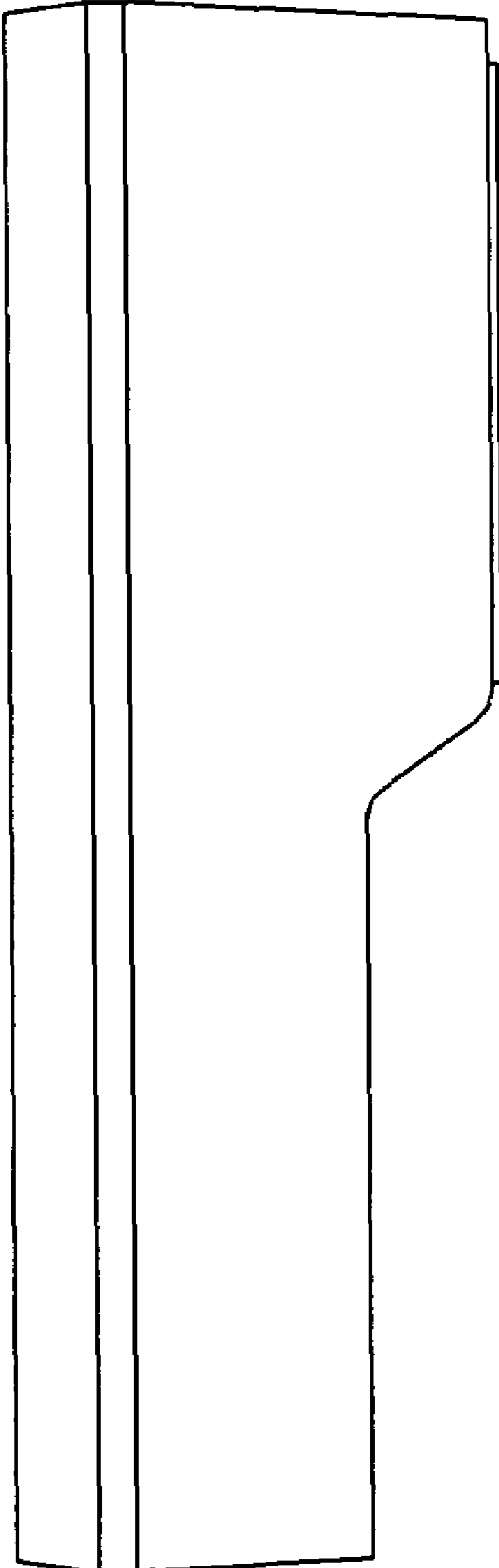


FIG. 5

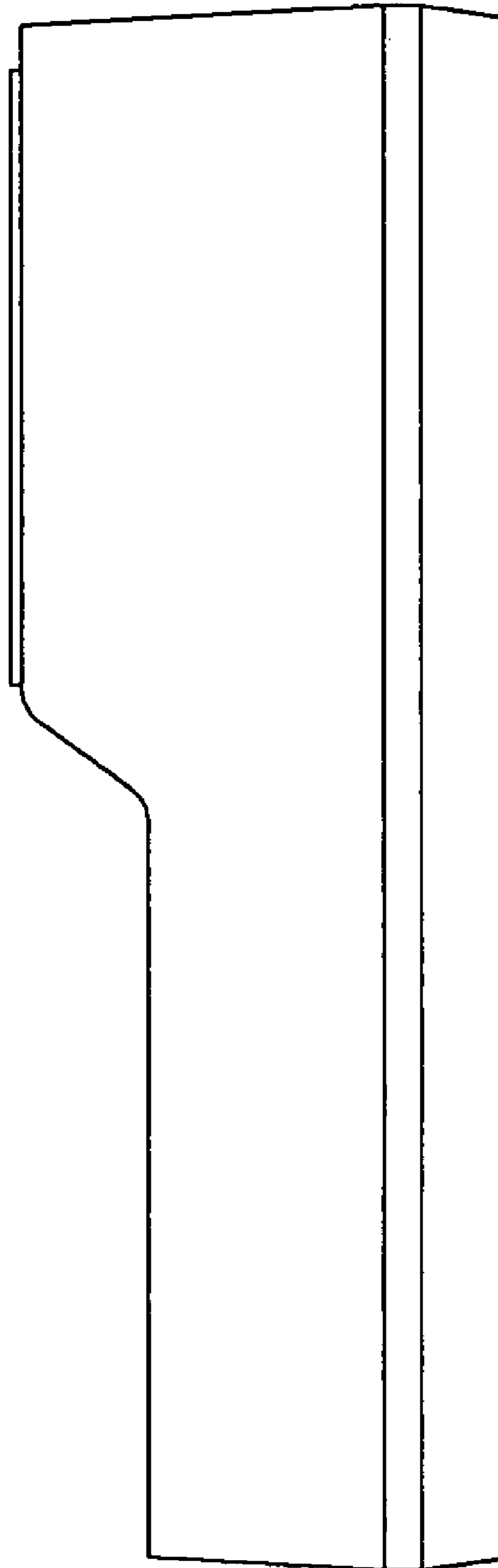


FIG. 6

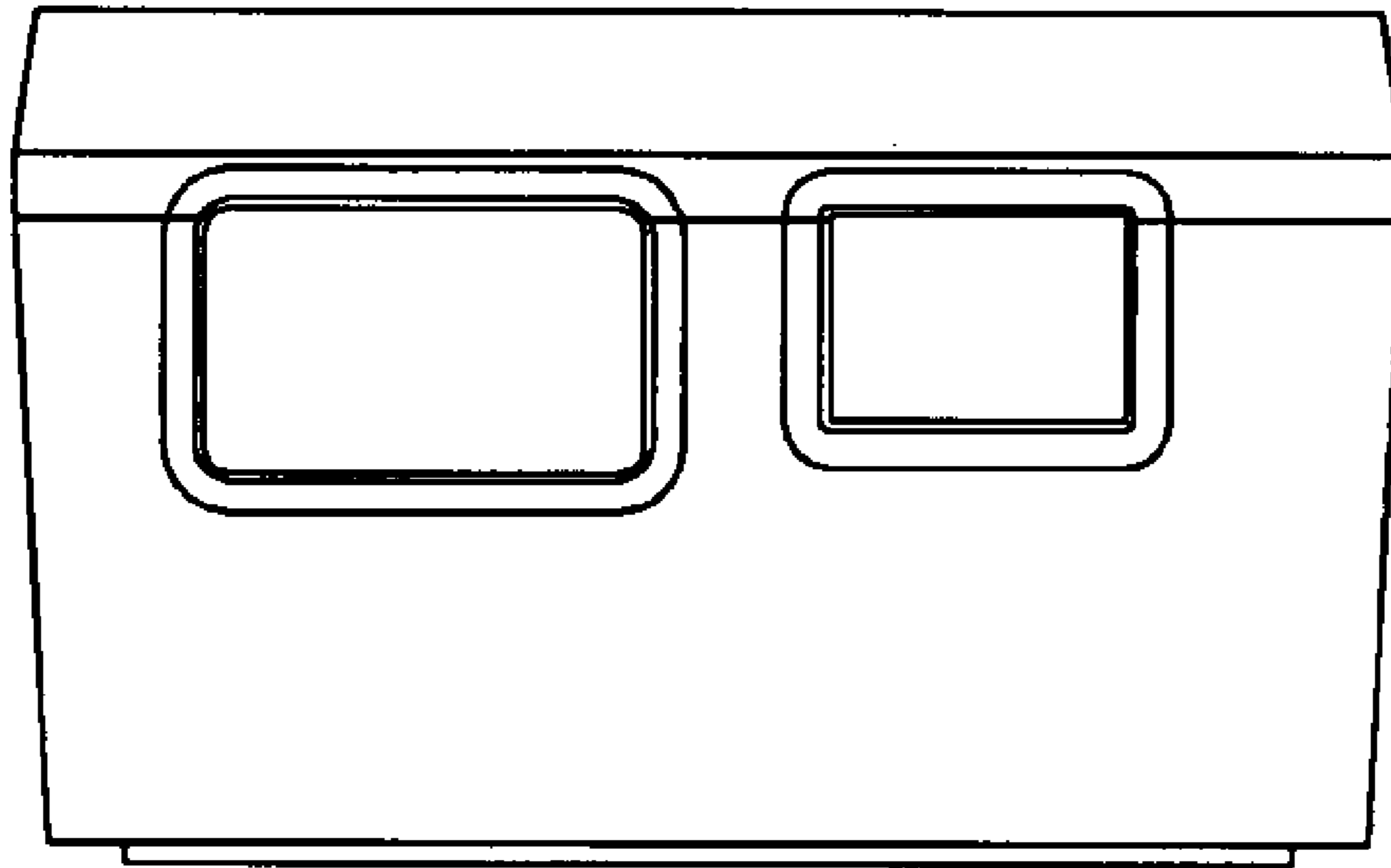


FIG. 7

