



US00D573983S

(12) **United States Design Patent**
Bang et al.

(10) **Patent No.:** **US D573,983 S**
(45) **Date of Patent:** **** Jul. 29, 2008**

(54) **HANDS FREE EAR SET OF PORTABLE PHONE**

(75) Inventors: **Yong Seok Bang**, Seoul (KR);
Chang-Soo Lee, Incheon (KR); **Beom Ku Han**, Seoul (KR)

(73) Assignee: **Samsung Electronics Co., Ltd.**,
Suwon-si (KR)

(**) Term: **14 Years**

(21) Appl. No.: **29/272,347**

(22) Filed: **Feb. 7, 2007**

(30) **Foreign Application Priority Data**

Sep. 29, 2006 (KR) 30-2006-0040069

(51) **LOC (8) Cl.** **14-01**

(52) **U.S. Cl.** **D14/223**

(58) **Field of Classification Search** D14/188,
D14/192, 205–206, 223; D24/174; 181/129–130;
379/430; 381/182, 370, 376–379, 380–381
See application file for complete search history.

(56) **References Cited**

U.S. PATENT DOCUMENTS

D533,540 S	*	12/2006	Murray	D14/205
D539,787 S	*	4/2007	Kim et al.	D14/223
D550,215 S	*	9/2007	Udagawa et al.	D14/223
D559,836 S	*	1/2008	Lee et al.	D14/223
D562,309 S	*	2/2008	Choi et al.	D14/223
D562,310 S	*	2/2008	Moon et al.	D14/223

* cited by examiner

Primary Examiner—Paula A. Greene
(74) *Attorney, Agent, or Firm*—Staas & Halsey LLP

(57) **CLAIM**

The ornamental design for a hands free ear set of portable phone, as shown and described.

DESCRIPTION

FIG. 1 is a perspective view of a hands free ear set of portable phone;

FIG. 2 is a front view of the hands free ear set of portable phone of FIG. 1;

FIG. 3 is a rear view of the hands free ear set of portable phone of FIG. 1;

FIG. 4 is a left-side view of the hands free ear set of portable phone of FIG. 1;

FIG. 5 is a right-side view of the hands free ear set of portable phone of FIG. 1;

FIG. 6 is a top plan view of the hands free ear set of portable phone of FIG. 1;

FIG. 7 is a bottom plan view of the hands free ear set of portable phone of FIG. 1;

FIG. 8 is a front elevational view of the hands free ear set of portable phone of FIG. 1 with the front display in an alternate position; and,

FIG. 9 is a right side elevational view of the hands free ear set of portable phone of FIG. 1 with the front display in an alternate position.

1 Claim, 6 Drawing Sheets

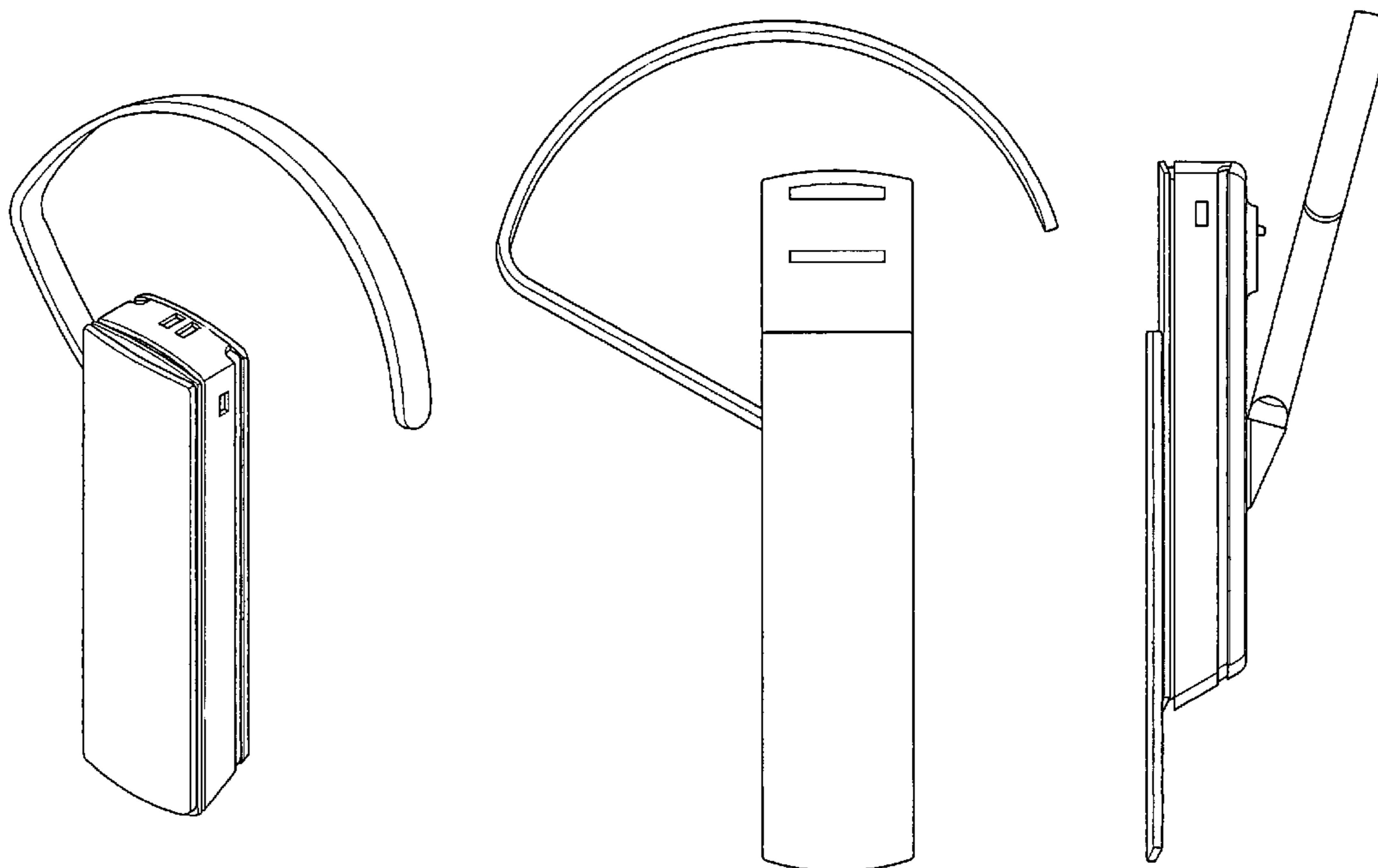
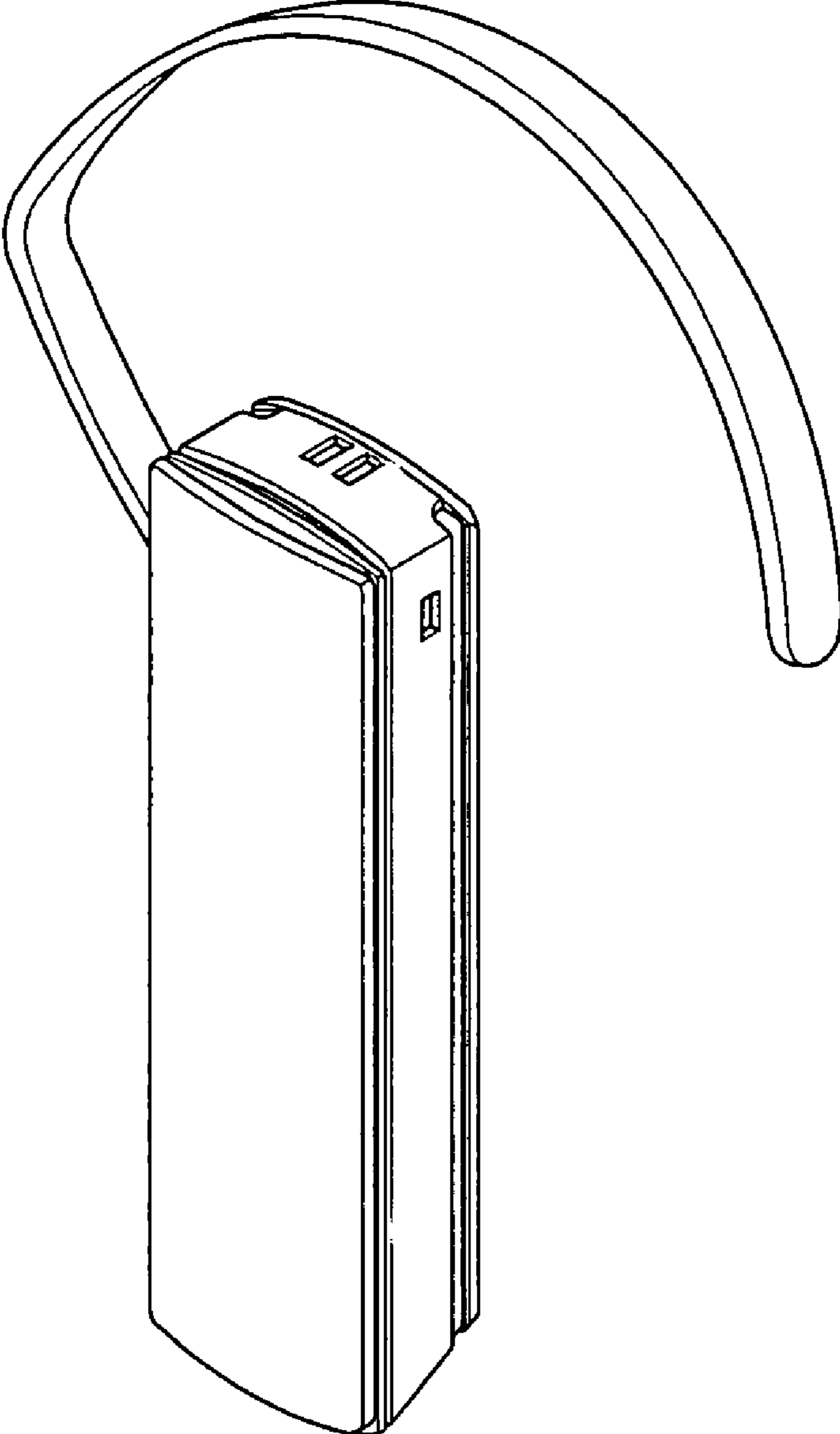


FIG. 1



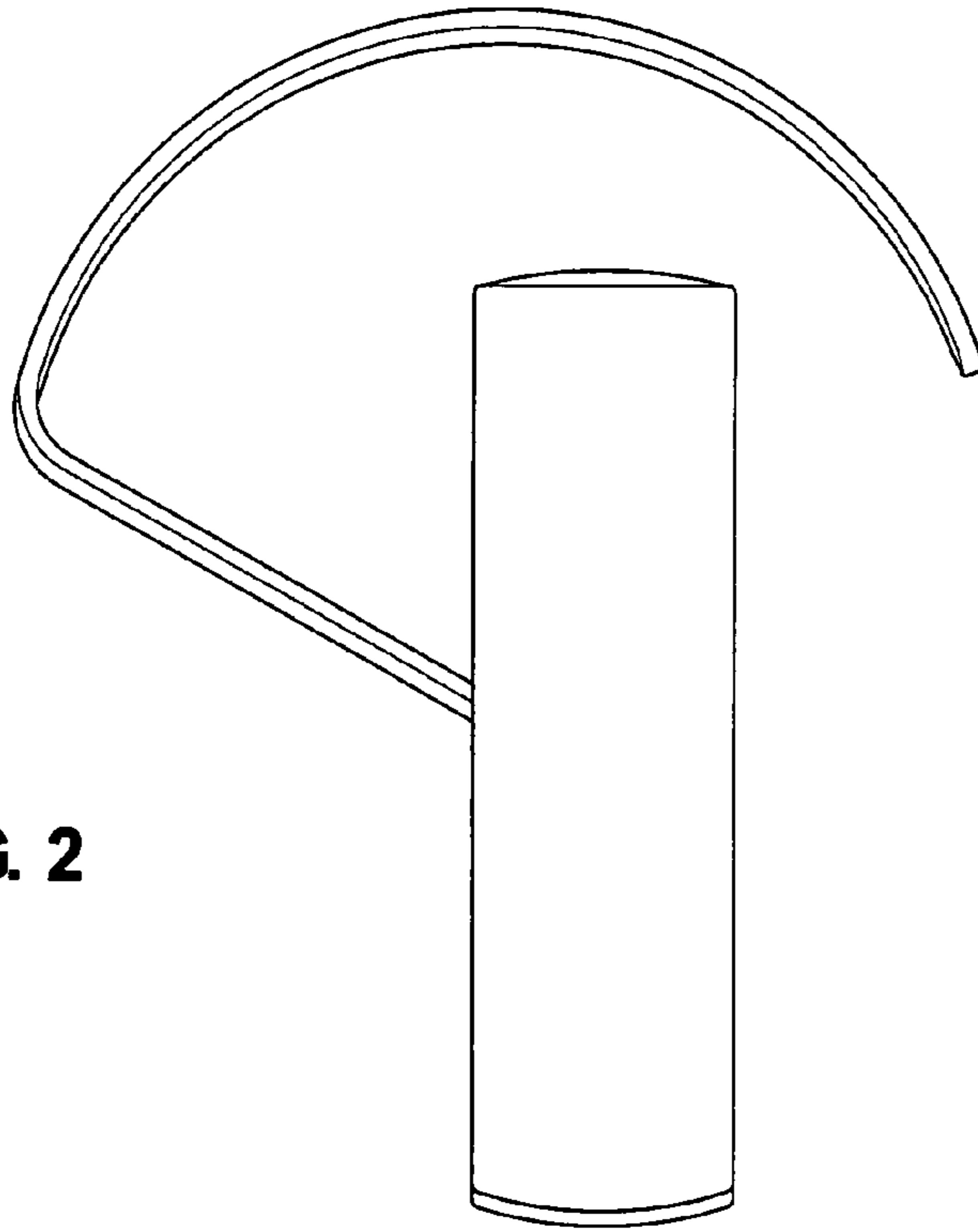


FIG. 2

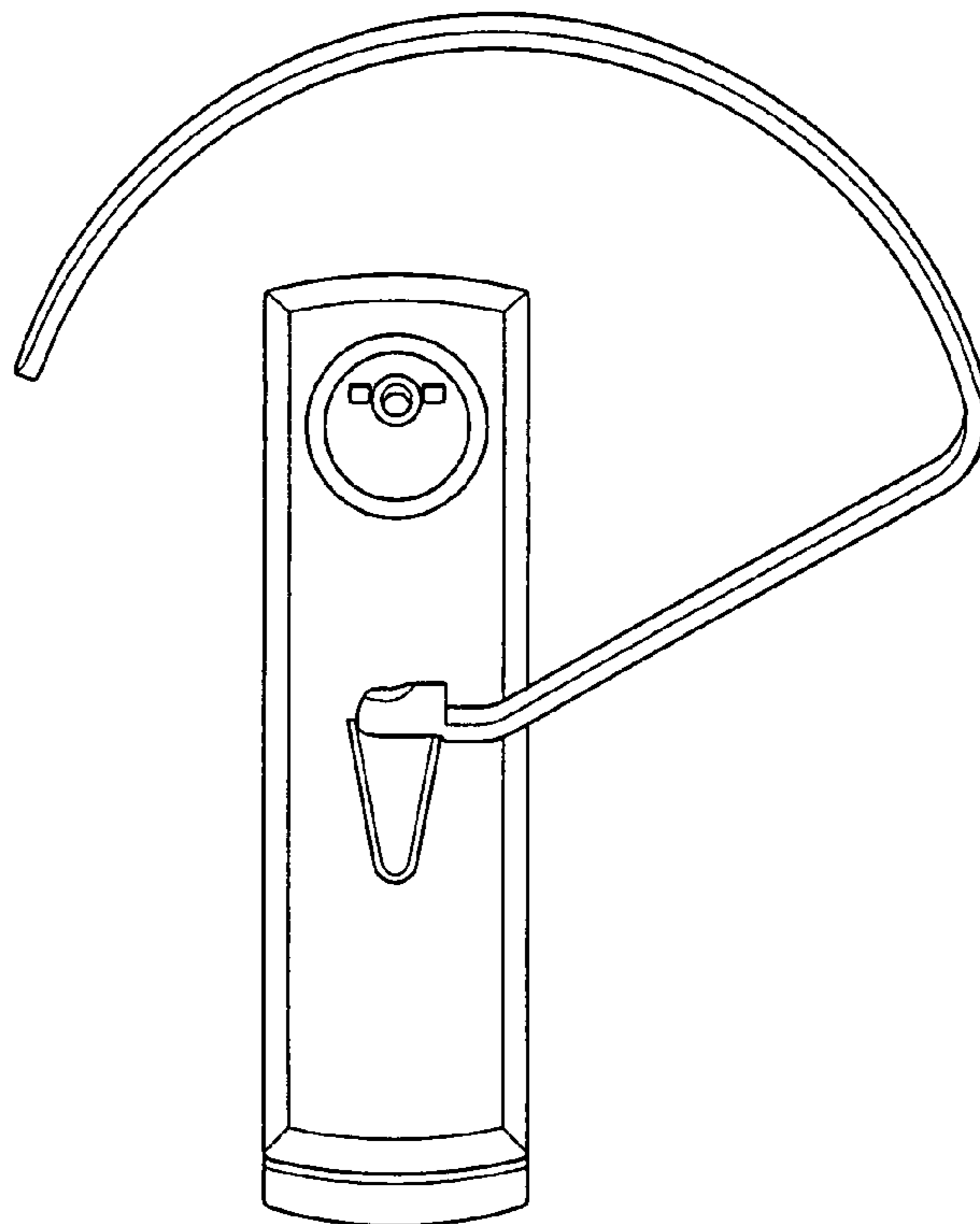


FIG. 3

FIG. 4

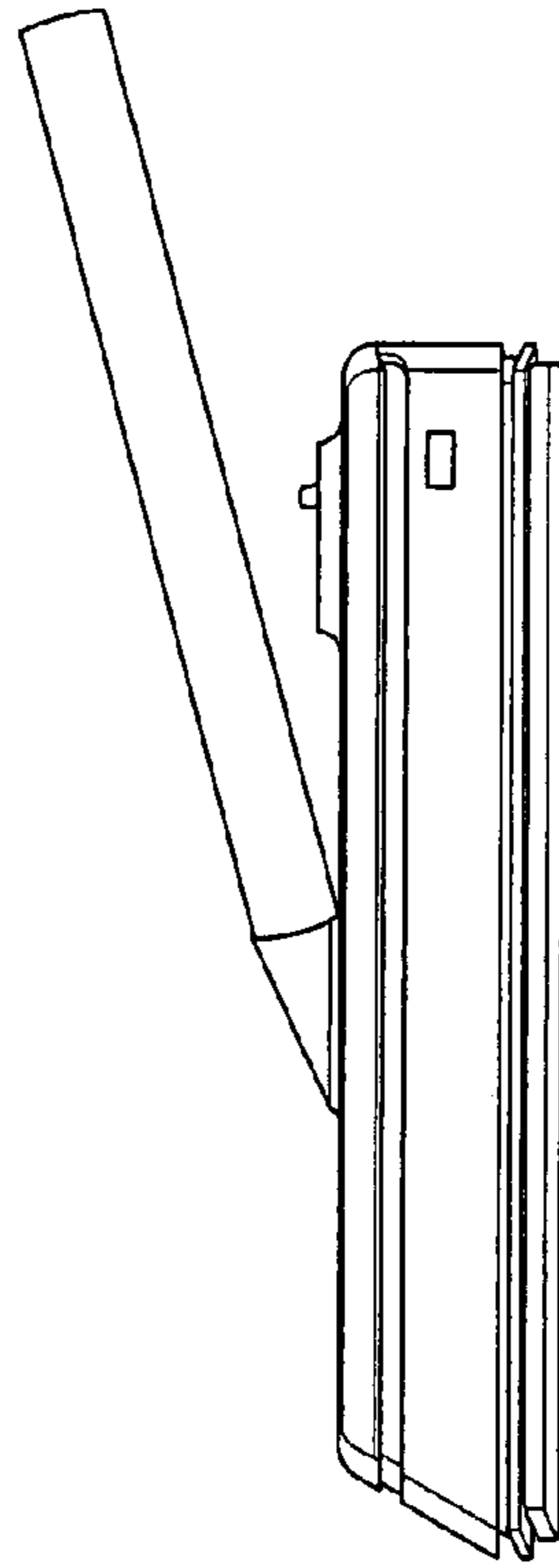


FIG. 5

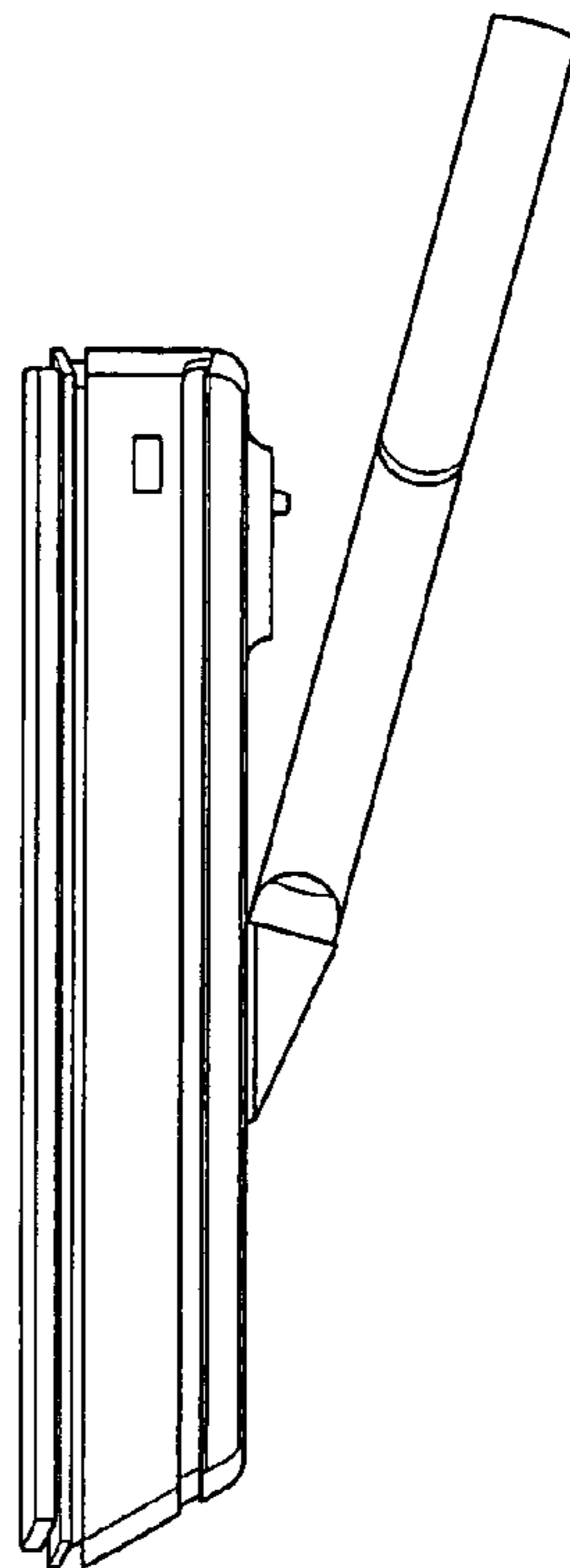


FIG. 6

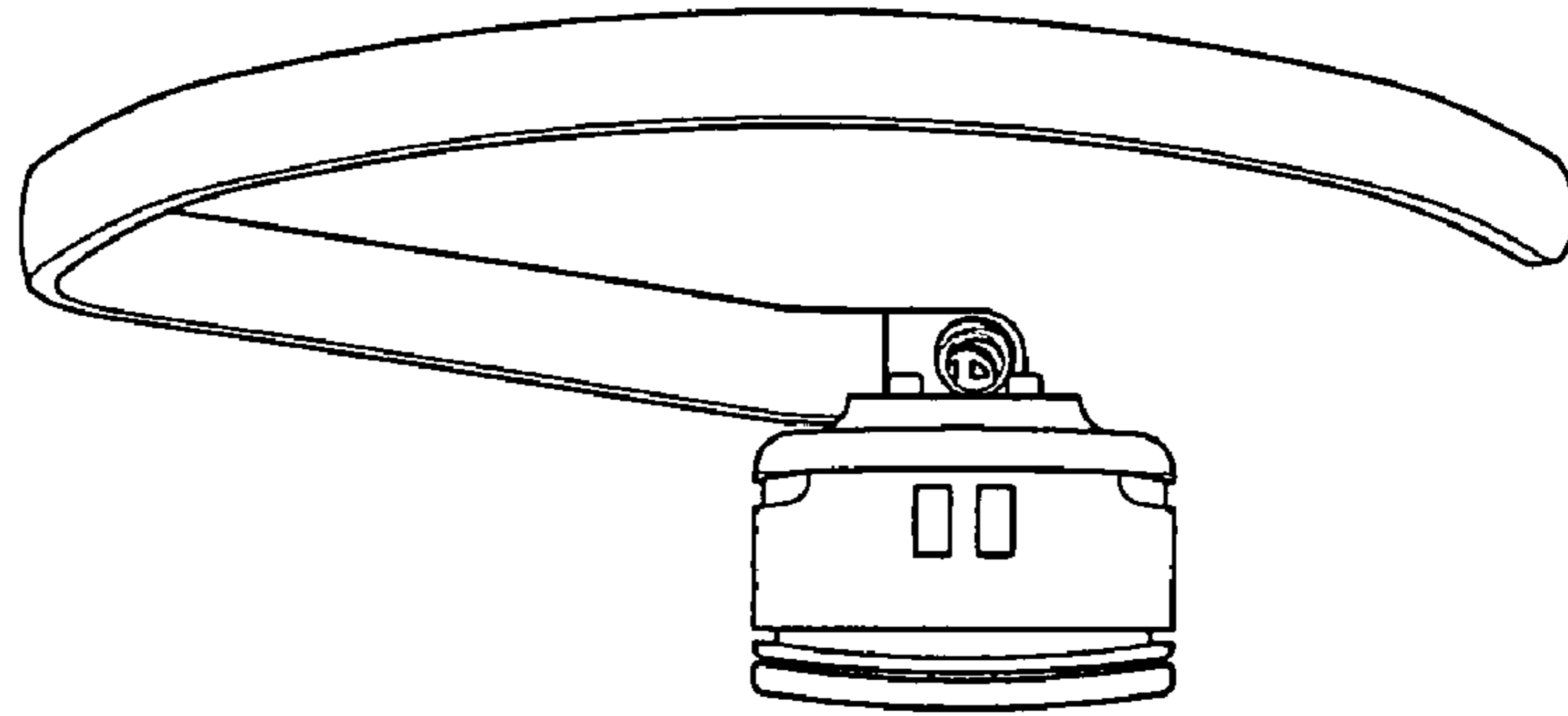


FIG. 7

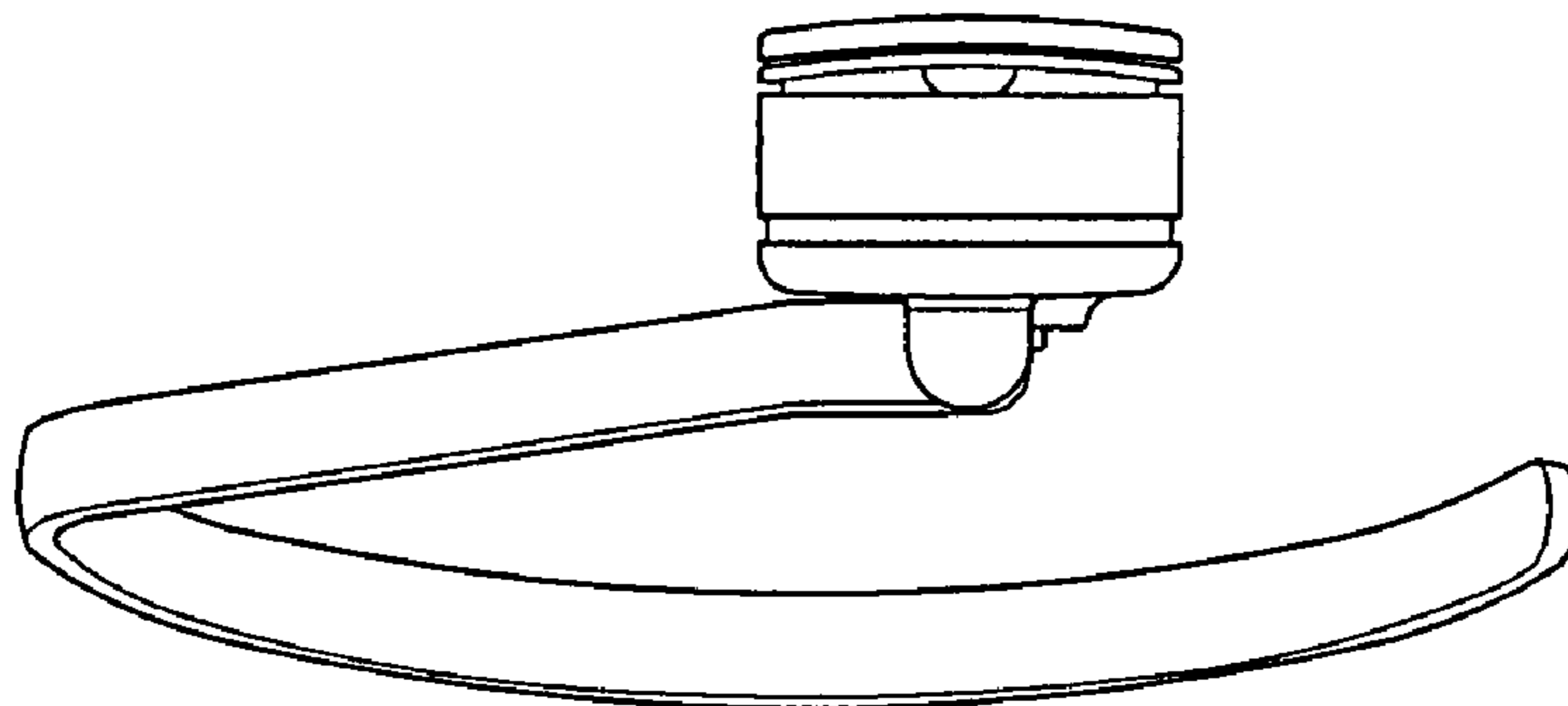


FIG. 8

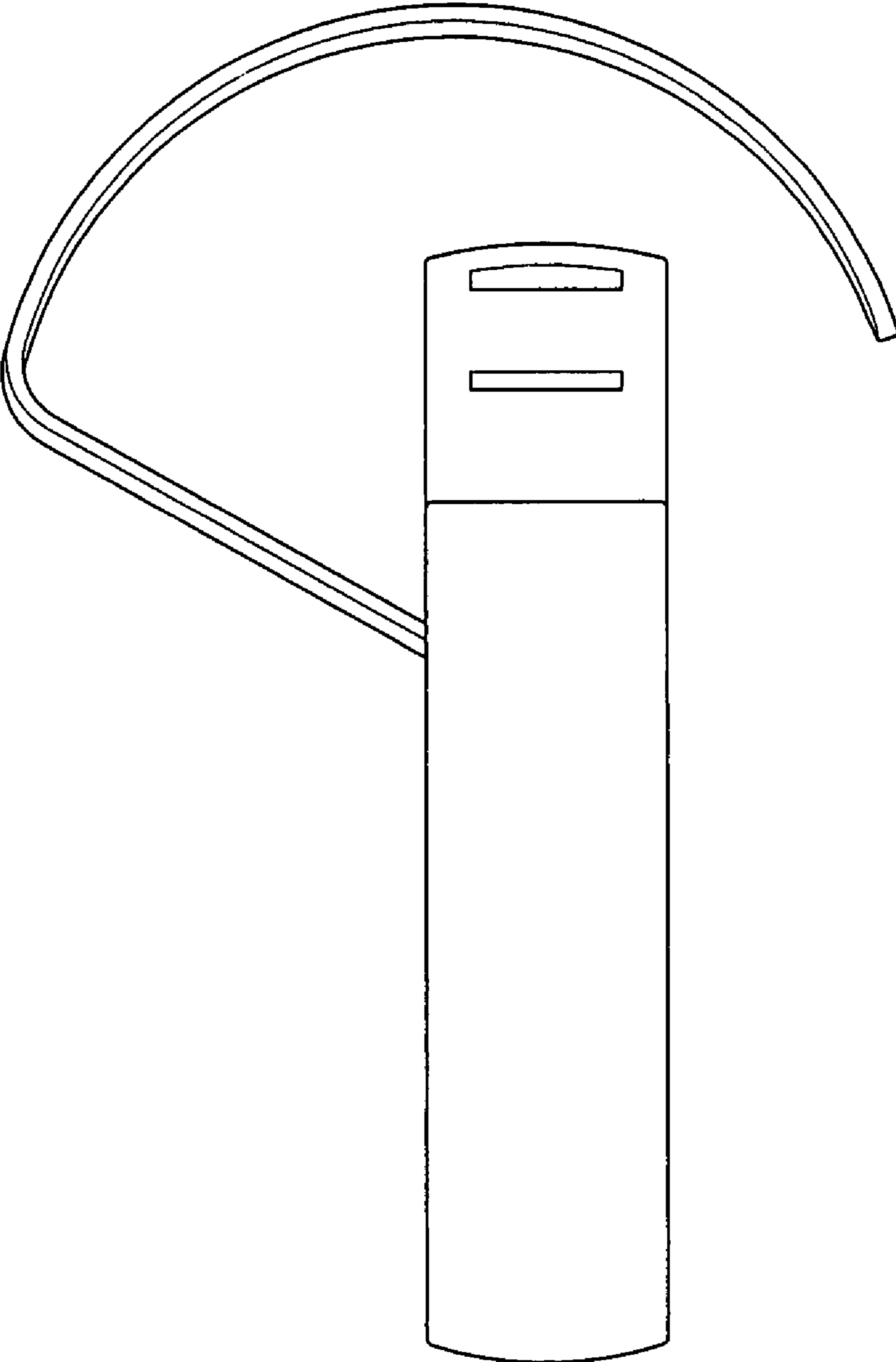


FIG. 9

