



US00D573976S

(12) **United States Design Patent**
Yagihashi

(10) **Patent No.:** **US D573,976 S**
(45) **Date of Patent:** **** Jul. 29, 2008**

(54) **AMPLIFIER FOR CAR**
(75) Inventor: **Tatsuya Yagihashi**, Tokyo (JP)
(73) Assignee: **Sony Corporation**, Tokyo (JP)
(**) Term: **14 Years**
(21) Appl. No.: **29/290,134**
(22) Filed: **Oct. 24, 2007**

(51) **LOC (8) Cl.** **14-03**
(52) **U.S. Cl.** **D14/188; D14/265**
(58) **Field of Classification Search** D14/188,
D14/265, 135, 136, 160-164, 192-198; 455/344-351;
381/186, 120, 121; 330/1 R, 3, 4, 250
See application file for complete search history.

(56) **References Cited**

U.S. PATENT DOCUMENTS

3,091,736	A	*	5/1963	Germain	455/90.3
4,756,382	A	*	7/1988	Hudson, III	181/156
5,191,177	A	*	3/1993	Chi	181/153
5,285,500	A	*	2/1994	Mantz	381/86
D392,640	S	*	3/1998	Tully et al.	D14/216
D396,720	S		8/1998	Yuyama		
6,028,945	A	*	2/2000	Gayle	381/120
D429,716	S	*	8/2000	Horikoshi	D14/188
D431,816	S	*	10/2000	Beaumont et al.	D14/188

D446,204	S	*	8/2001	Smith	D14/188
D449,288	S		10/2001	Sogabe		
D512,707	S	*	12/2005	Chen et al.	D14/188
D513,247	S		12/2005	Matsuoka		
D520,985	S	*	5/2006	Ishinabe	D14/188
D548,723	S	*	8/2007	Mizokawa	D14/188
D549,214	S		8/2007	Uehara		

* cited by examiner

Primary Examiner—Prabhakar Deshmukh
(74) *Attorney, Agent, or Firm*—Rader, Fishman & Grauer, PLLC

(57) **CLAIM**

The ornamental design for an amplifier for car, as shown.

DESCRIPTION

FIG. 1 is a perspective view of an amplifier for car showing my new design;
FIG. 2 is a front elevational view thereof;
FIG. 3 is a rear elevational view thereof;
FIG. 4 is a left side elevational view thereof;
FIG. 5 is a right side elevational view thereof;
FIG. 6 is a top plan view thereof; and,
FIG. 7 is a bottom plan view thereof.

1 Claim, 7 Drawing Sheets

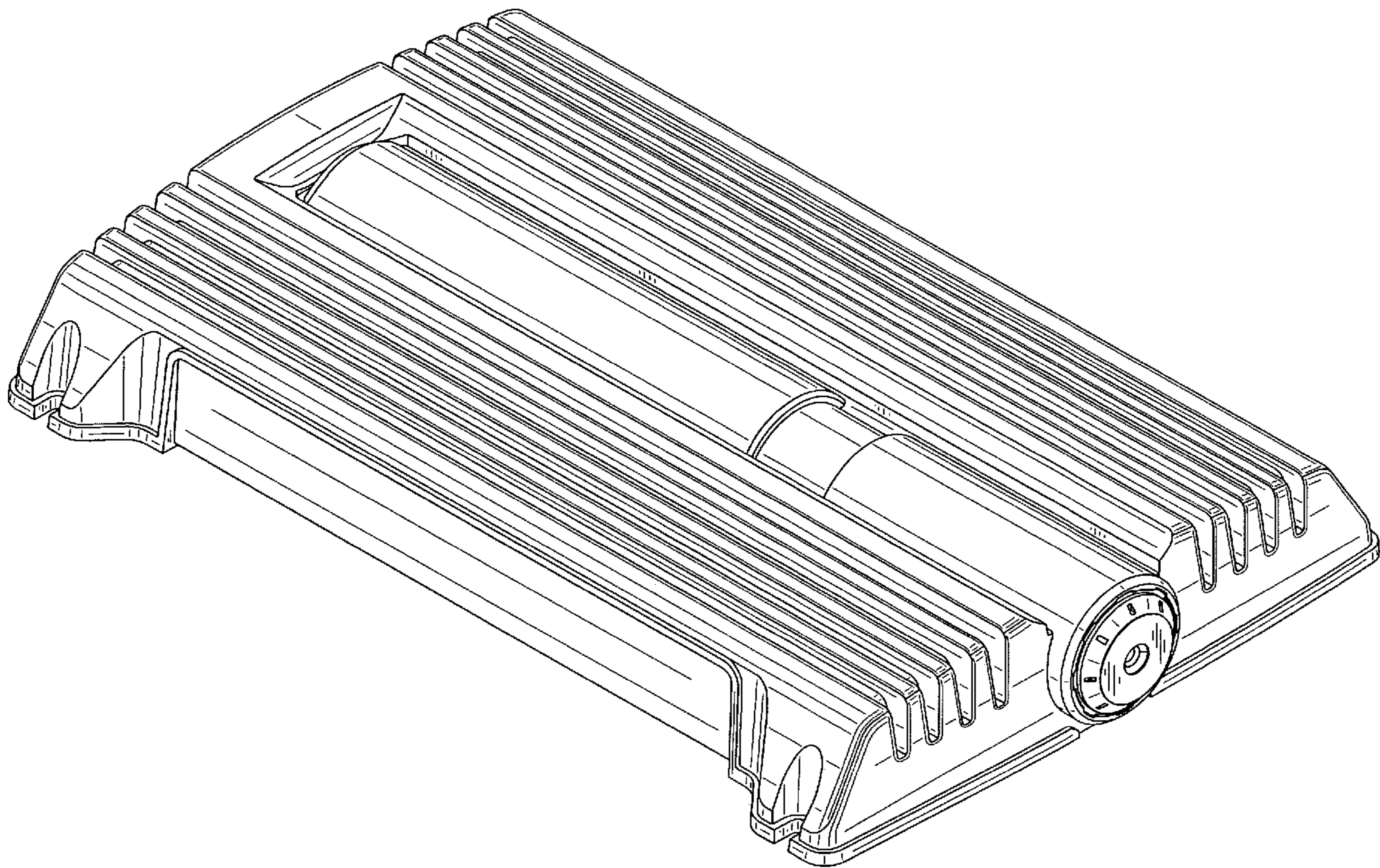


Fig.1

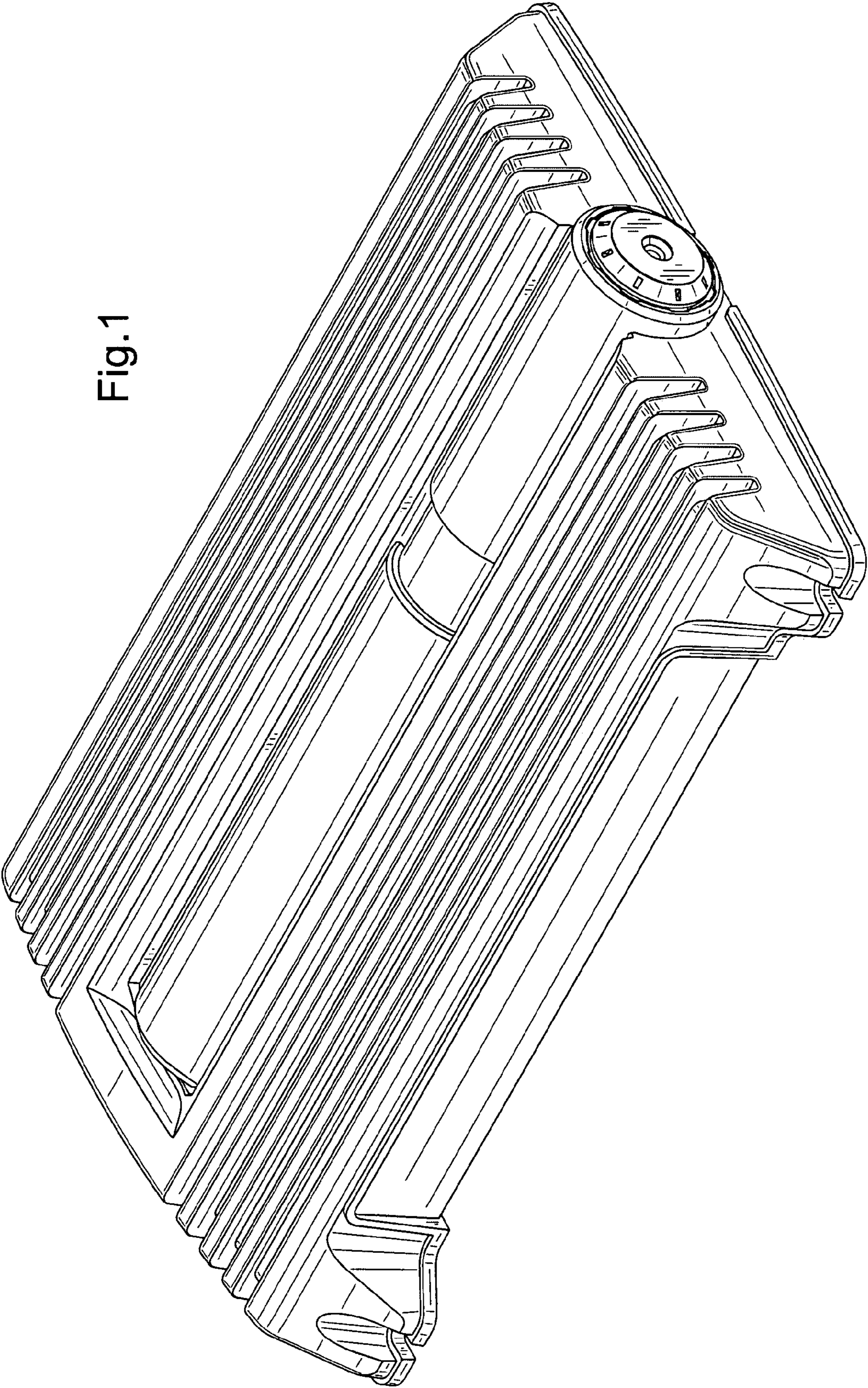


Fig.2

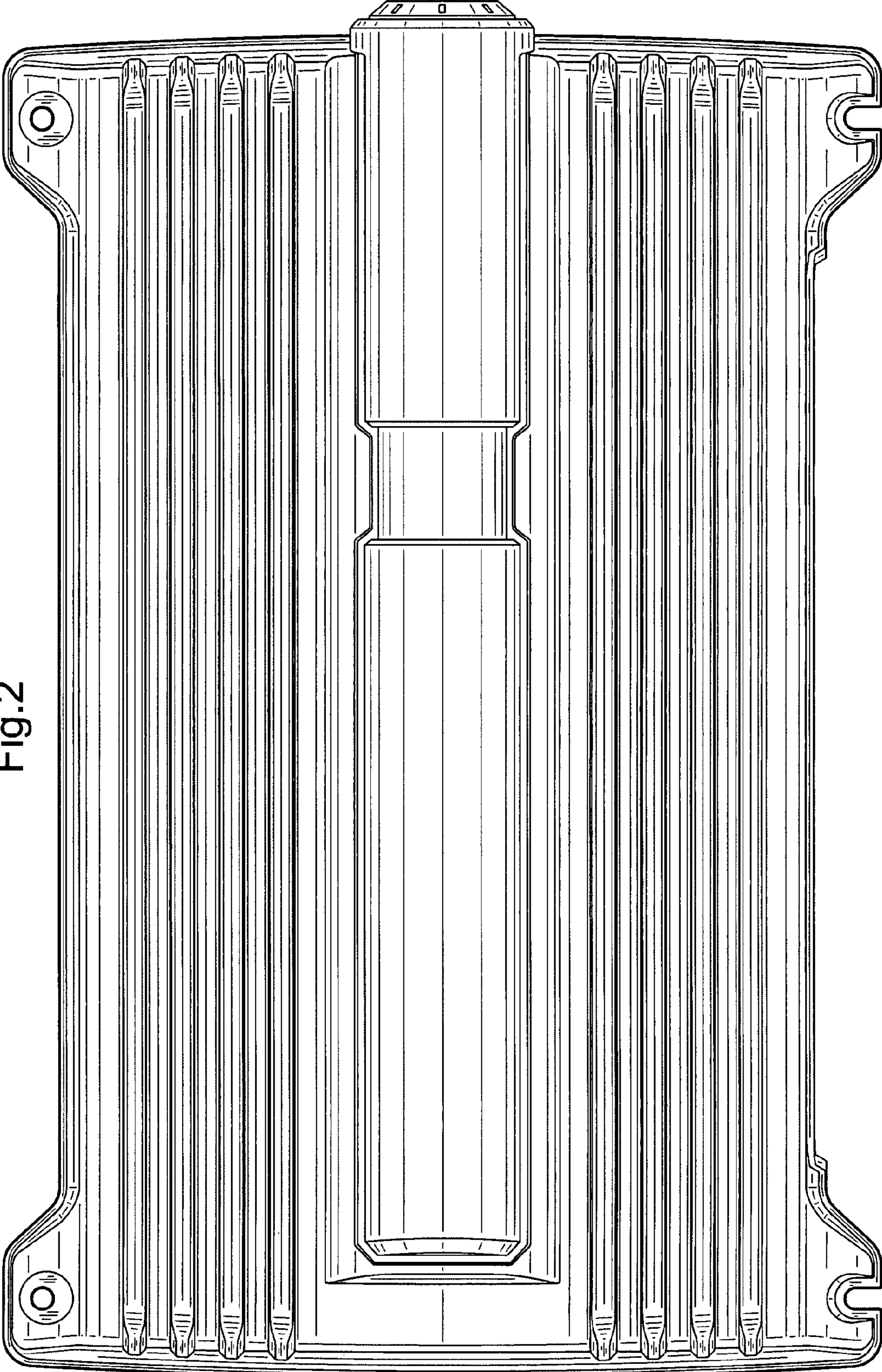
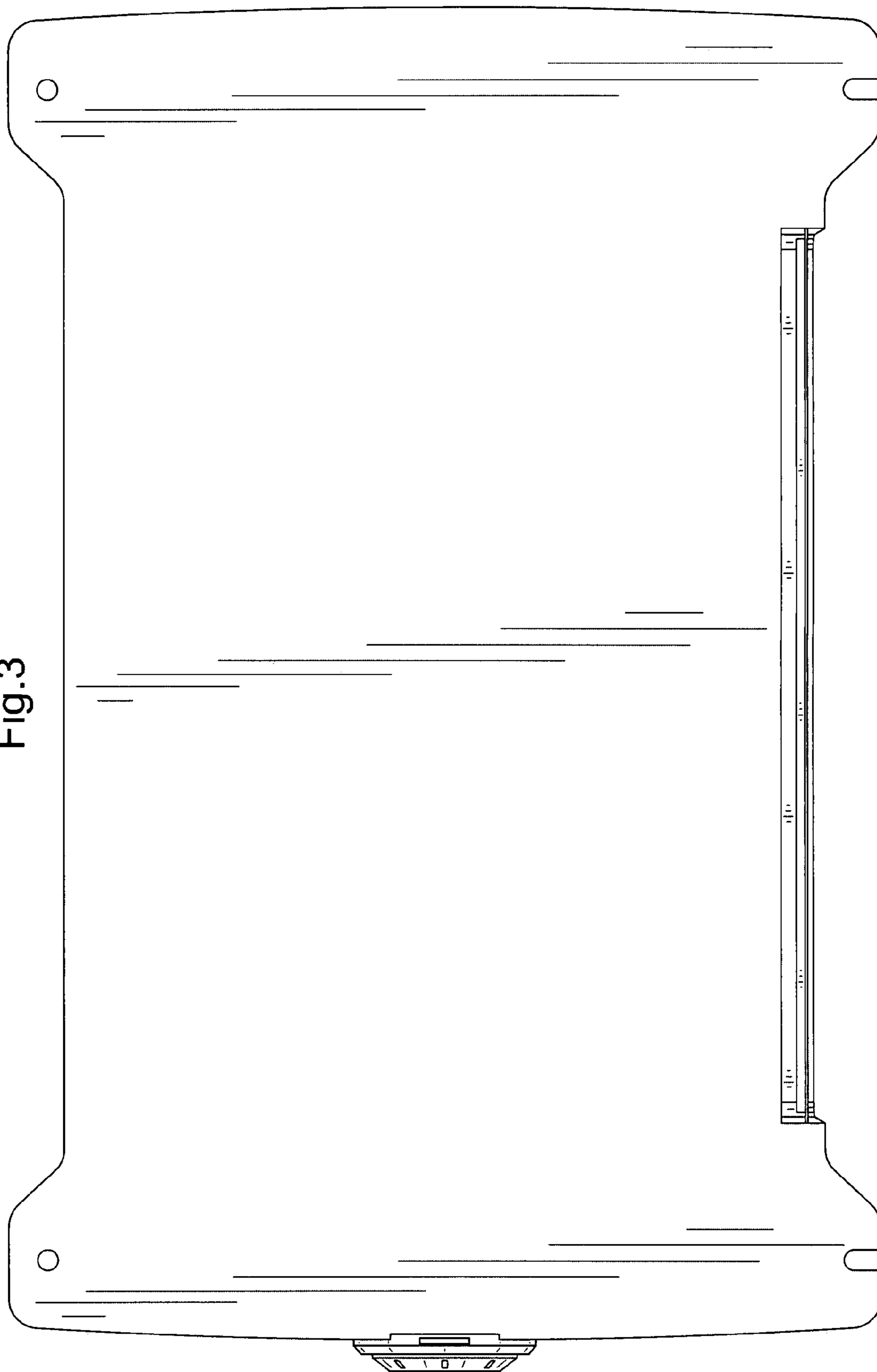


Fig.3



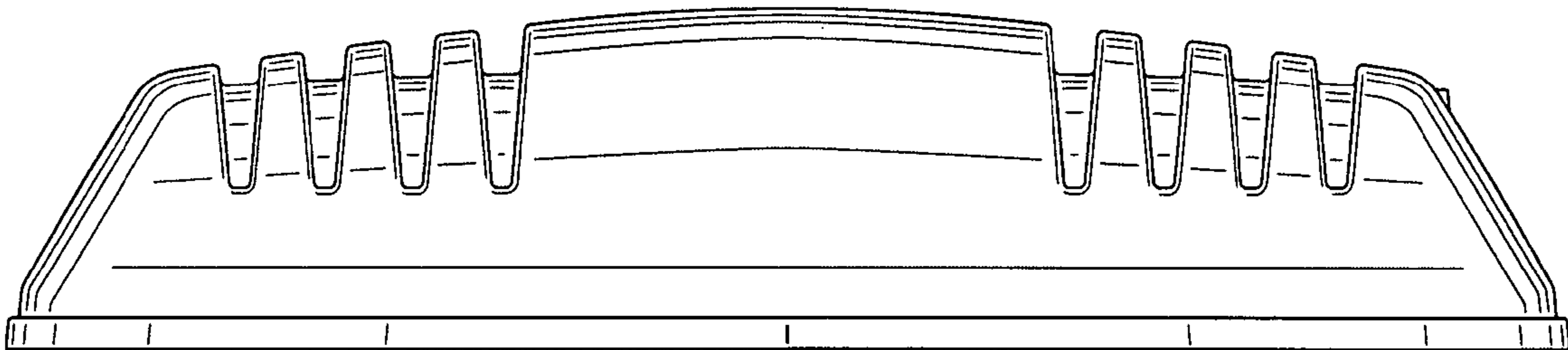


Fig.4

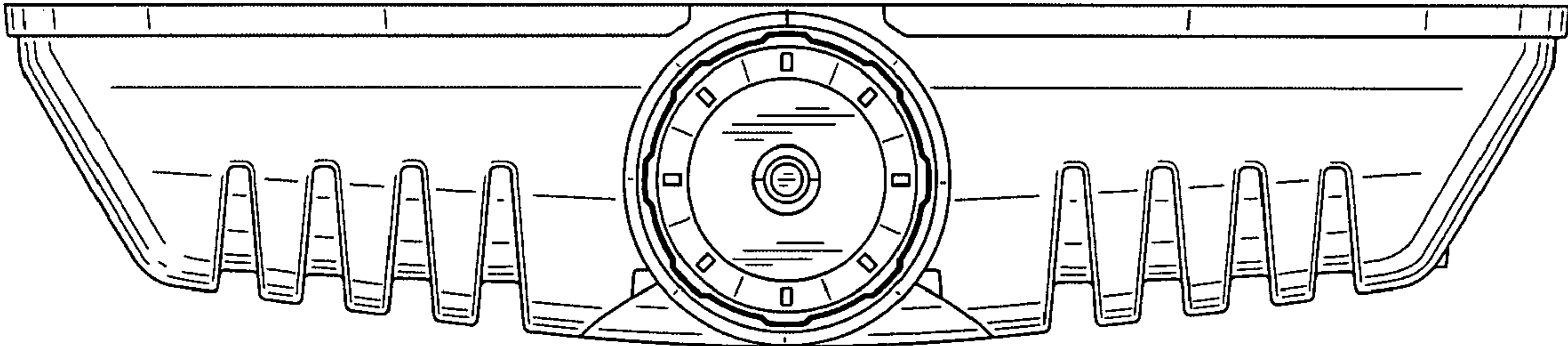


Fig. 5

Fig.6

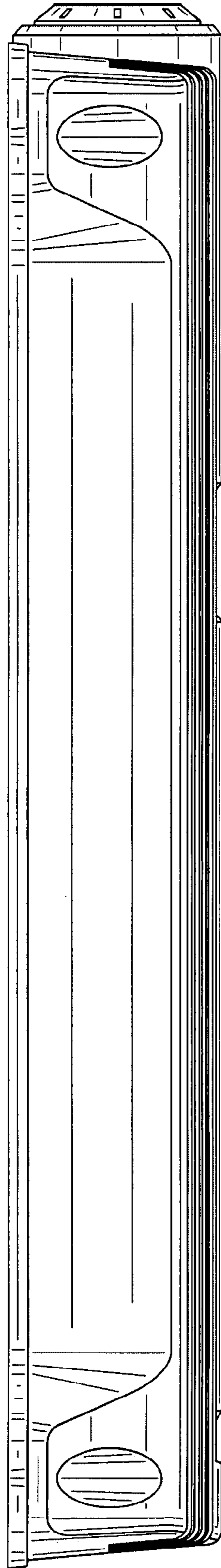


Fig. 7

