



US00D573974S

(12) **United States Design Patent**
Liu

(10) **Patent No.:** **US D573,974 S**
(45) **Date of Patent:** **** Jul. 29, 2008**

(54) **EXPANDING TERMINAL**

(75) Inventor: **Hsing-Cheng Liu**, Taipei (TW)

(73) Assignee: **Inventec Multimedia & Telecom Corporation**, Taipei (TW)

(**) Term: **14 Years**

(21) Appl. No.: **29/270,704**

(22) Filed: **Jan. 3, 2007**

(51) **LOC (8) Cl.** **14-02**

(52) **U.S. Cl.** **D14/140.8; D14/140.9; D14/240**

(58) **Field of Classification Search** D14/356, D14/358, 233, 240, 242, 300, 348, 388, 433, D14/140.7-140.9; D13/184, 199, 110, 137.2; 360/69; 379/220.1, 220.14, 25, 93.09, 93.15, 379/156, 900, 338, 329; 381/124; 607/36
See application file for complete search history.

(56) **References Cited**

U.S. PATENT DOCUMENTS

- D219,383 S * 12/1970 Fox D14/140.8
- D259,933 S * 7/1981 Foggia et al. D14/140.8
- D277,476 S * 2/1985 Foggia et al. D14/140.8
- D306,027 S * 2/1990 Gagnon D14/140.9
- D306,859 S * 3/1990 Helstab et al. D14/140.8
- D312,461 S * 11/1990 Ando D14/140.8
- D317,920 S * 7/1991 Fuqua et al. D14/140.8

- D340,057 S * 10/1993 Wetzel et al. D14/140.9
- D348,470 S * 7/1994 Nagele et al. D14/140.8
- D388,102 S * 12/1997 Yoneyama D14/140.8
- D413,332 S * 8/1999 Delhaes D14/140.8
- D417,222 S * 11/1999 Johnson et al. D14/140.9
- D480,390 S * 10/2003 Miao et al. D14/240
- D482,679 S * 11/2003 Hillenmayer D14/140.9
- D486,829 S * 2/2004 Wang et al. D14/433
- D511,770 S * 11/2005 Chung D14/240
- D541,264 S * 4/2007 Emmett et al. D14/240

* cited by examiner

Primary Examiner—Charles A Rademaker

(74) *Attorney, Agent, or Firm*—Rabin & Berdo, P.C.

(57) **CLAIM**

The ornamental design for a “expanding terminal,” as shown and described.

DESCRIPTION

FIG. 1 is a perspective view of expanding terminal showing our new design;

FIG. 2 is a front view thereof;

FIG. 3 is a rear view thereof;

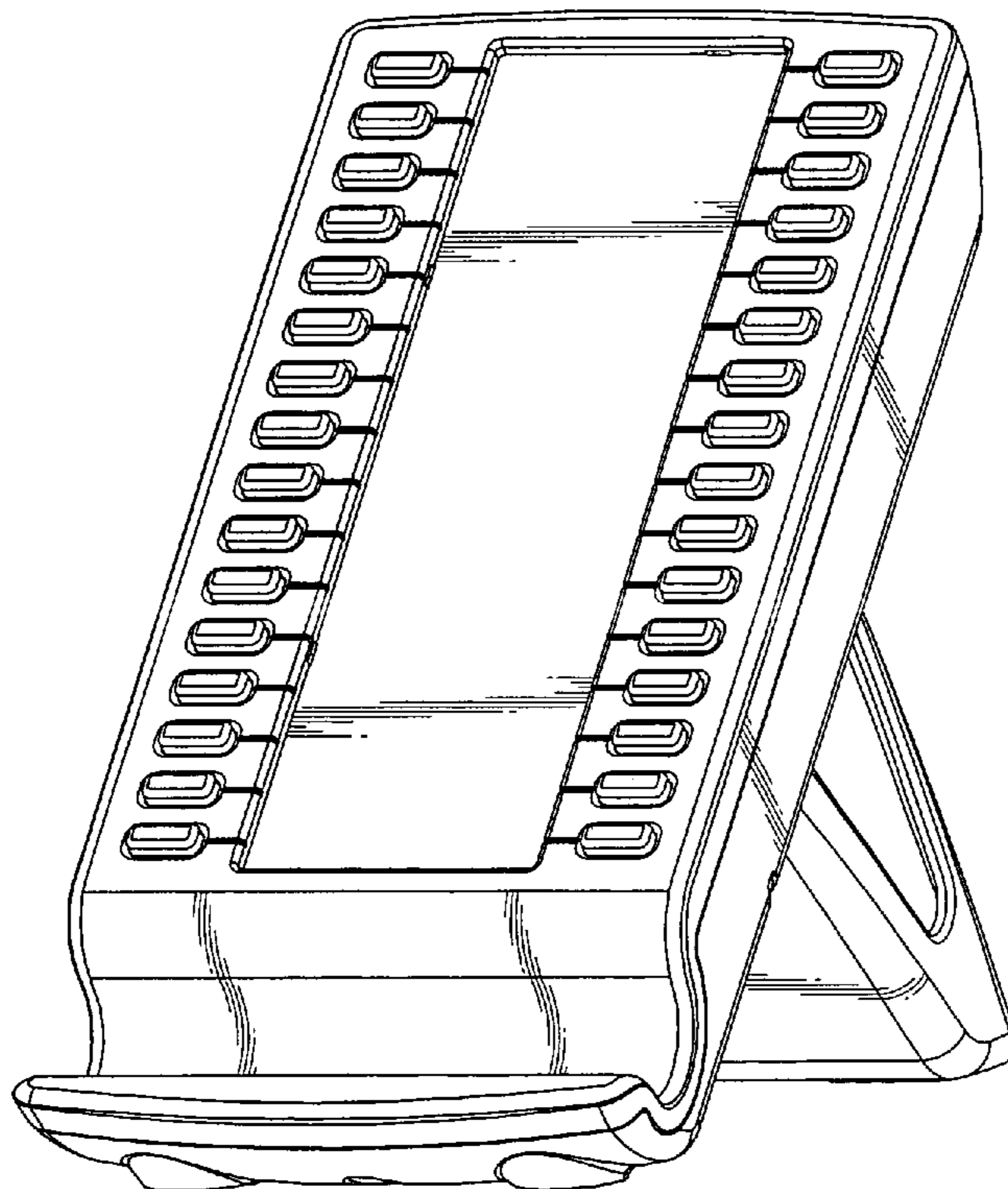
FIG. 4 is a left side elevational view thereof;

FIG. 5 is a right side elevational view thereof;

FIG. 6 is a top view thereof; and,

FIG. 7 is a bottom view thereof.

1 Claim, 7 Drawing Sheets



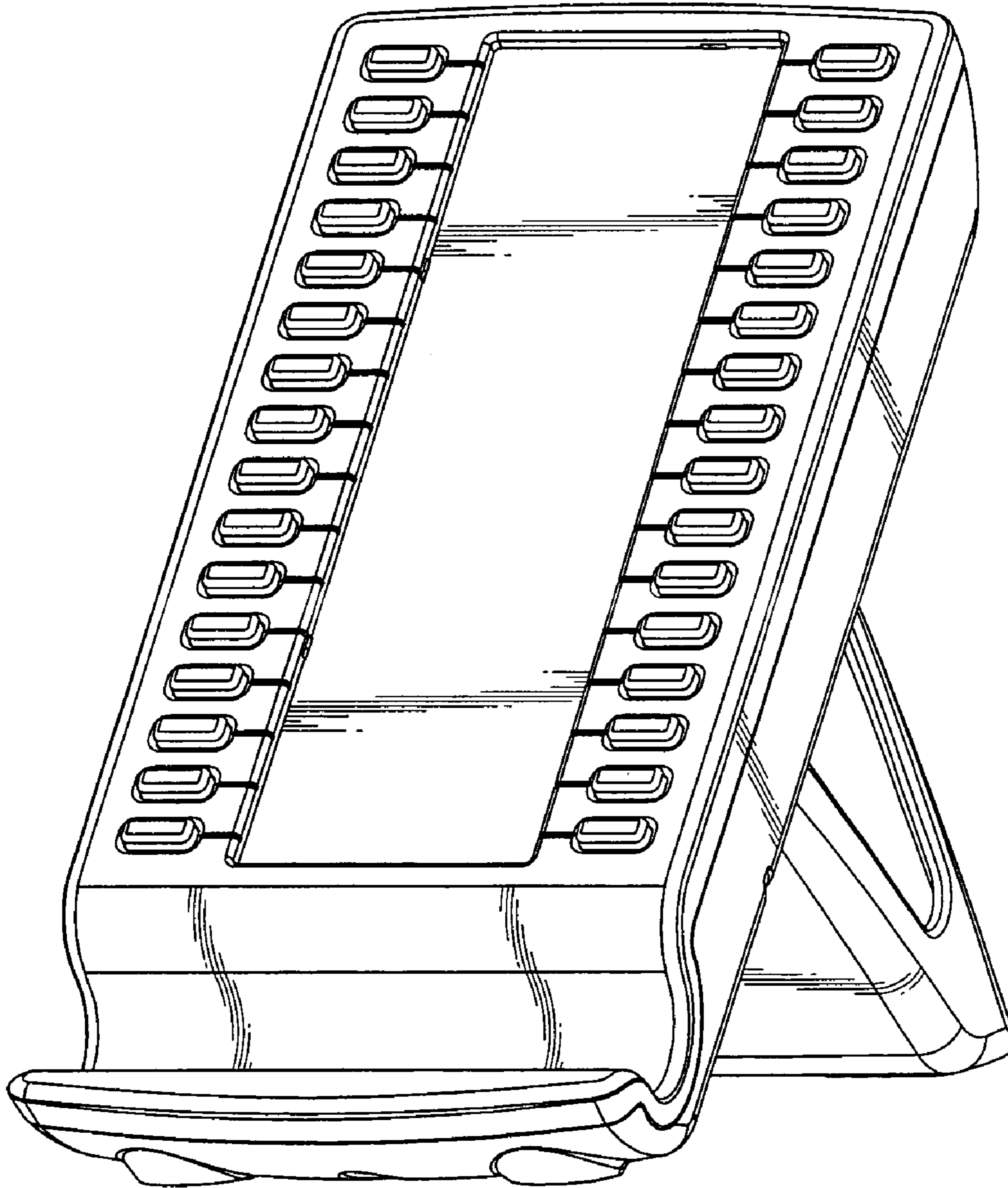


FIG.1

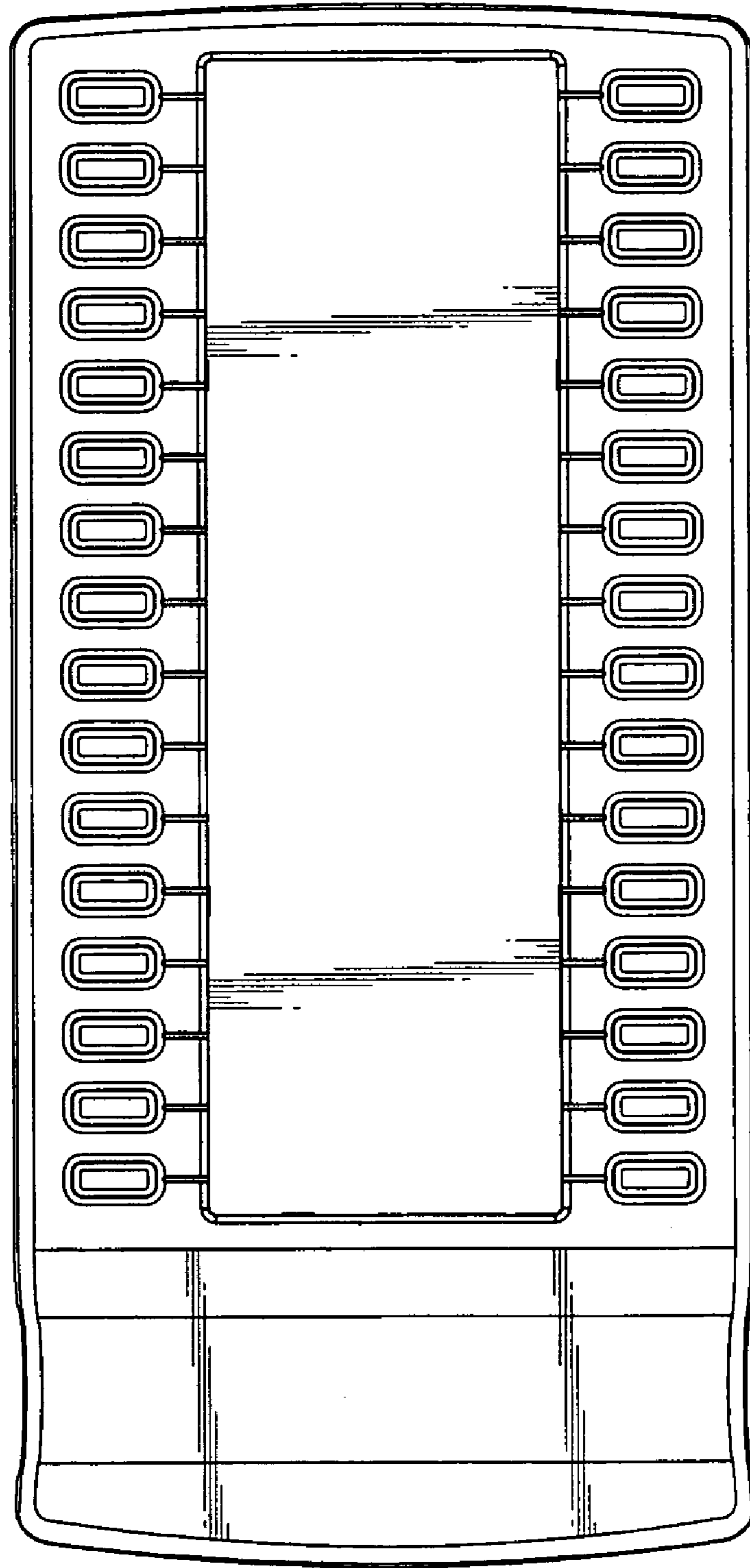


FIG.2

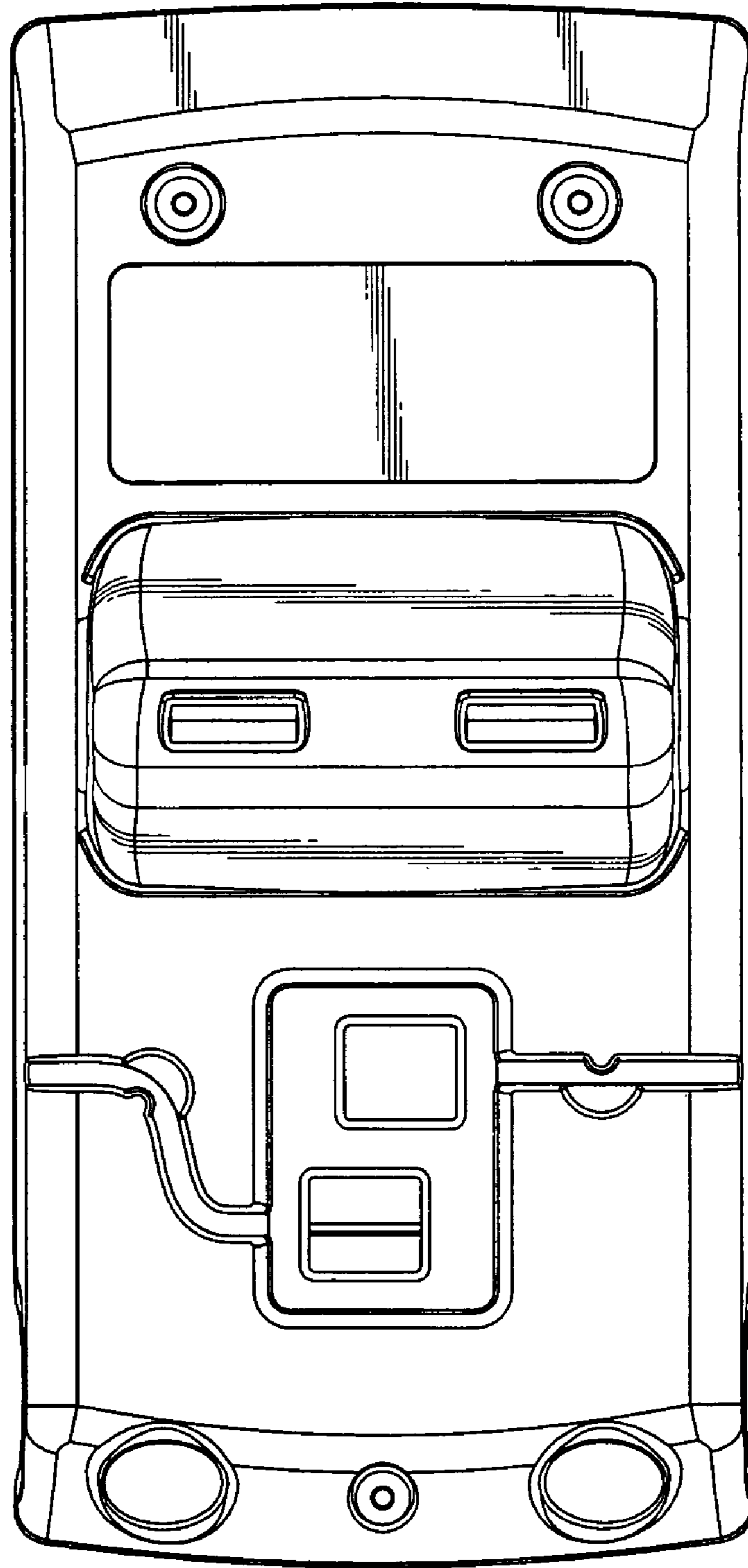


FIG.3

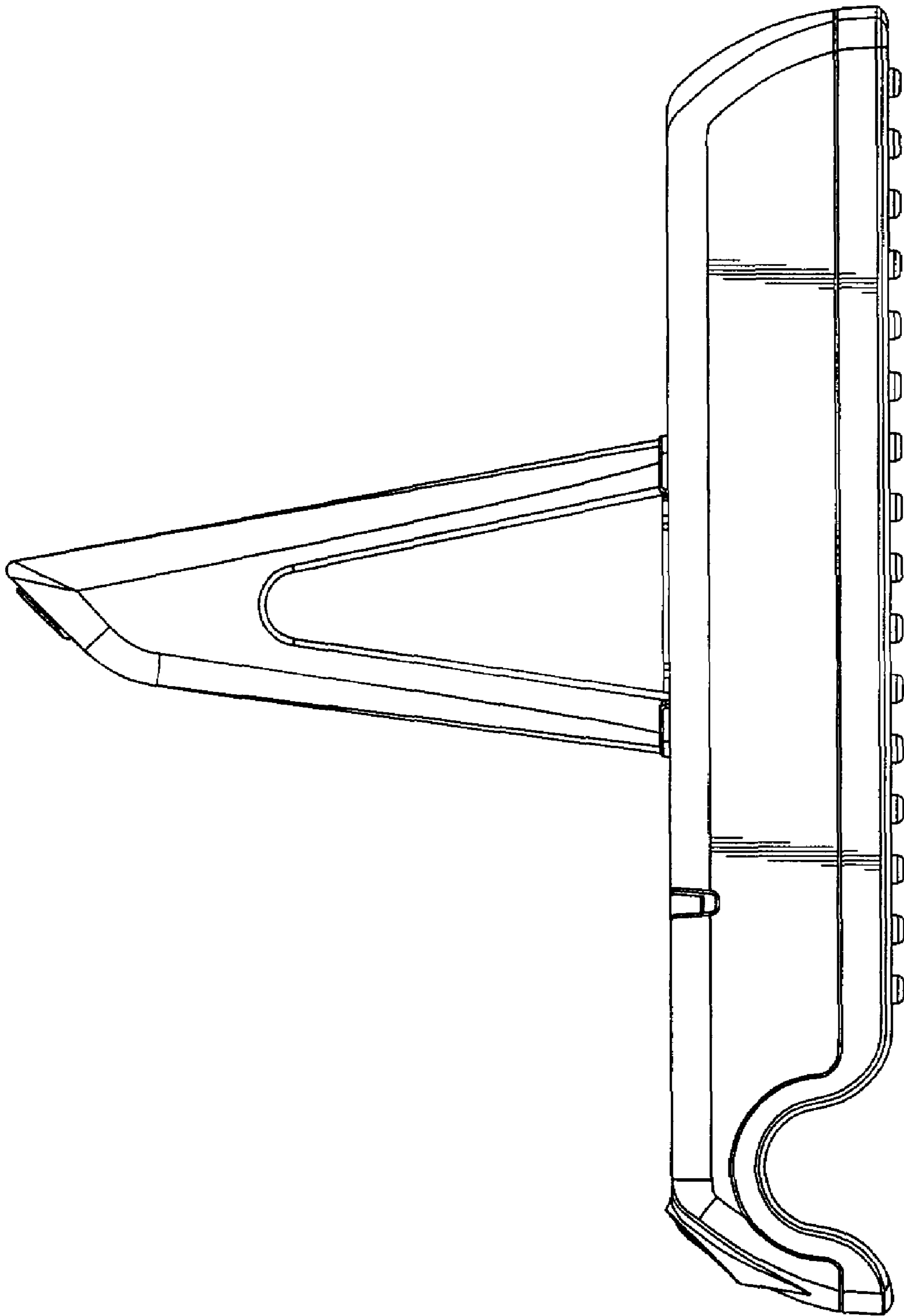


FIG.4

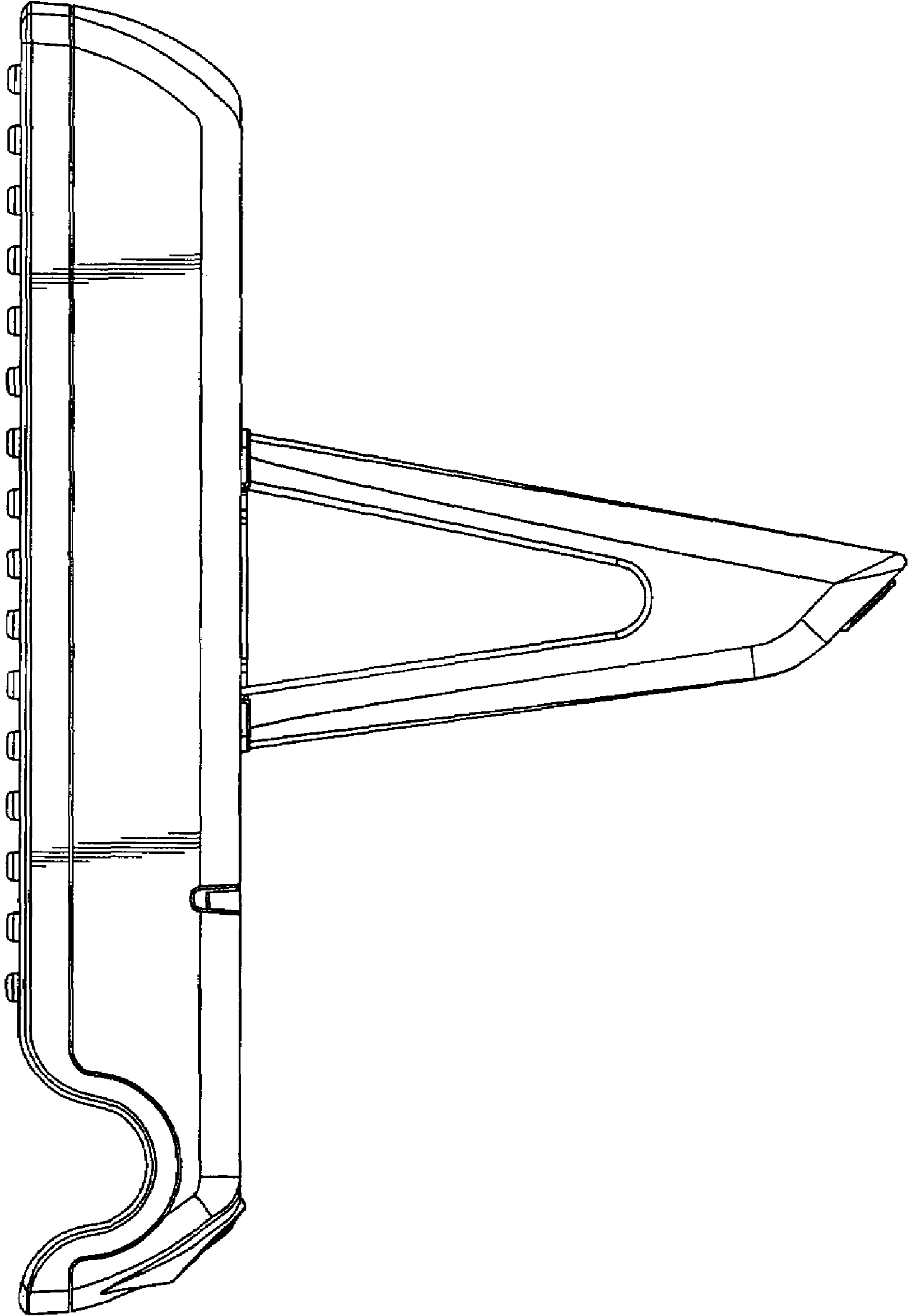


FIG.5

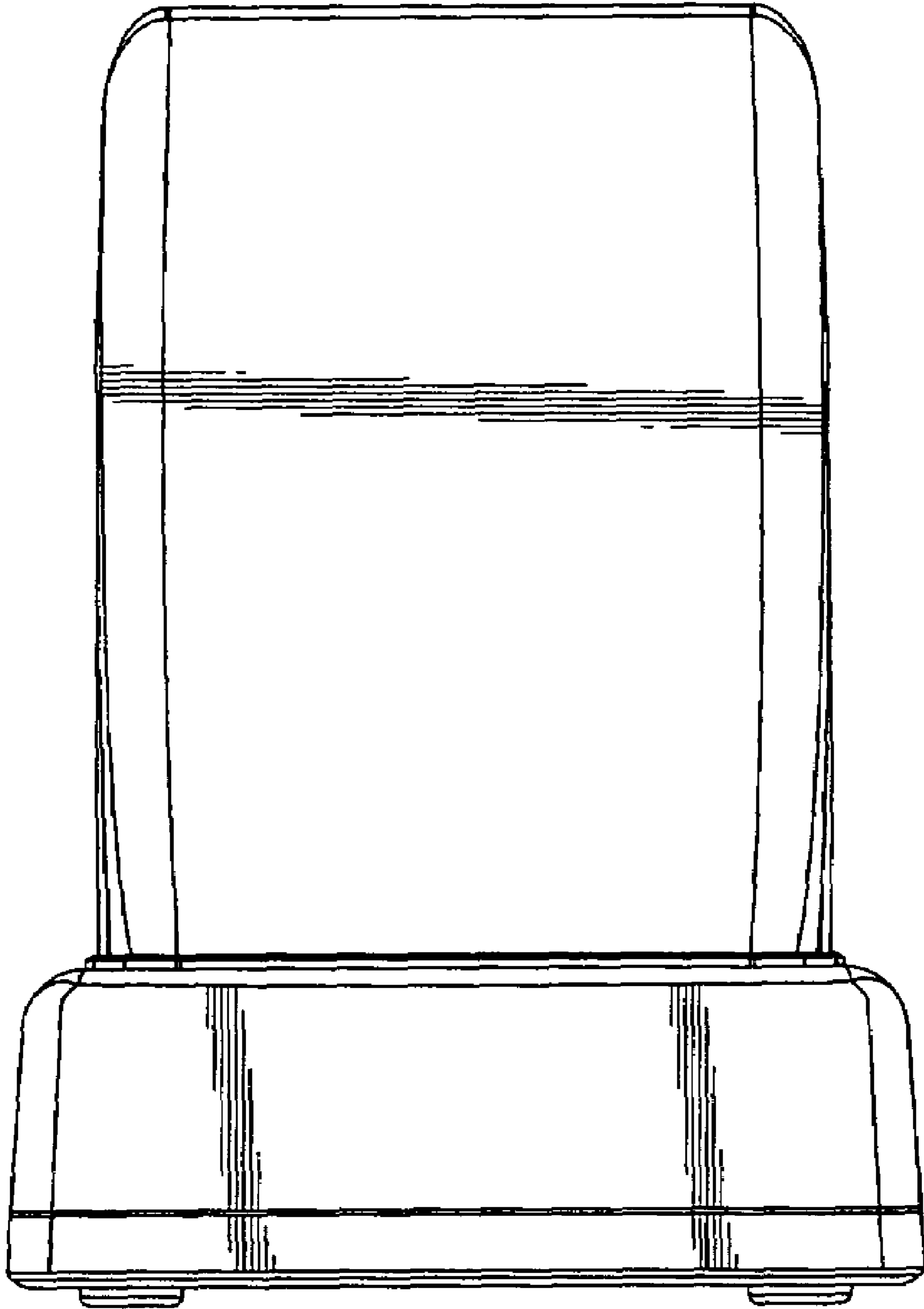


FIG.6

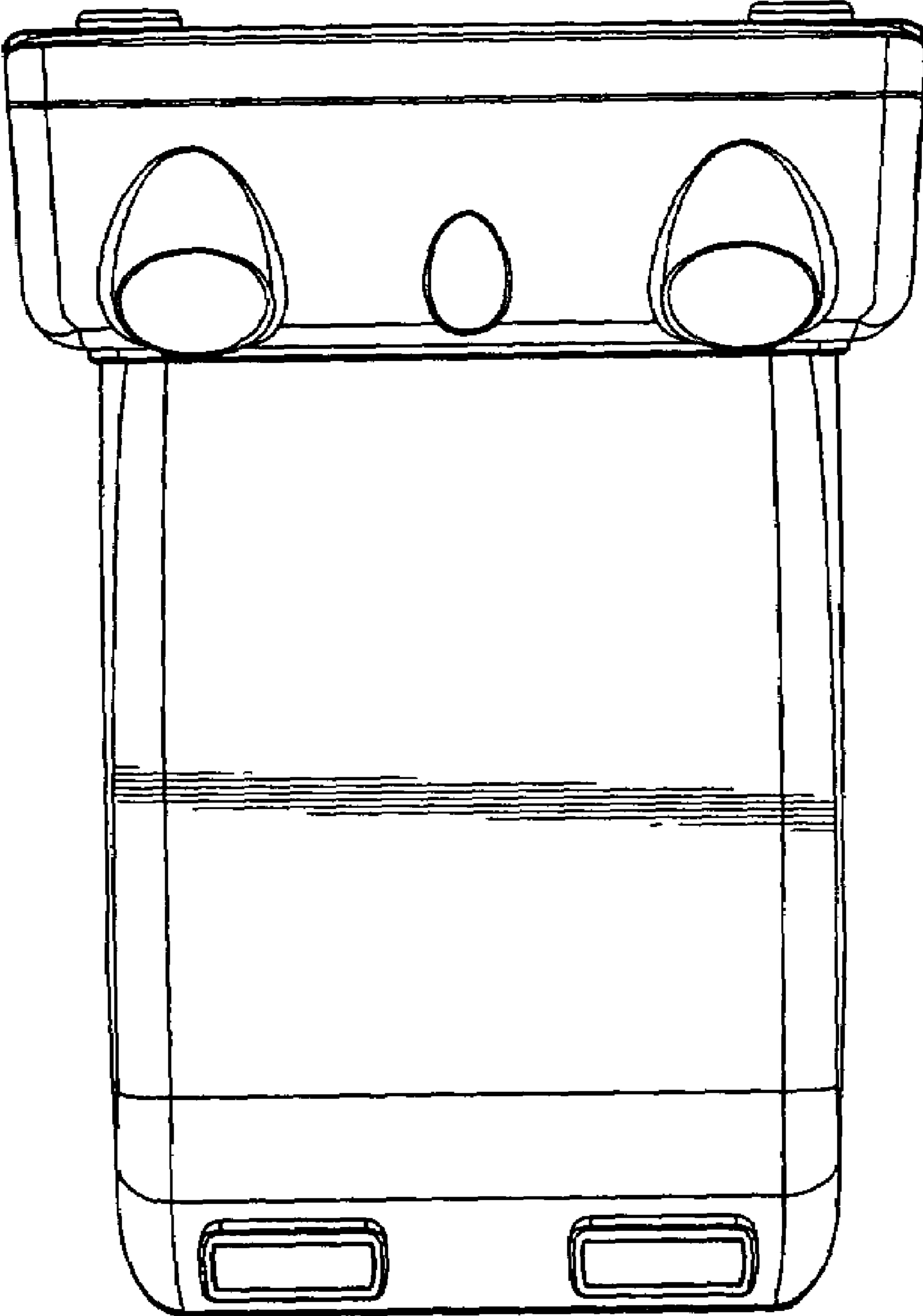


FIG. 7