



US00D573968S

(12) **United States Design Patent**
Chen et al.

(10) **Patent No.:** **US D573,968 S**
(45) **Date of Patent:** **** Jul. 29, 2008**

(54) **MOBILE PHONE**

(75) Inventors: **Wen-Pin Chen**, Taipei Hsien (TW);
Chien-Ju Huang, Taipei Hsien (TW)

(73) Assignee: **Hon Hai Precision Industry Co., Ltd.**,
Tu-Cheng, Taipei Hsien (TW)

(**) Term: **14 Years**

(21) Appl. No.: **29/282,548**

(22) Filed: **Jul. 24, 2007**

(30) **Foreign Application Priority Data**

Mar. 8, 2007 (CN) 2007 3 0200160

(51) **LOC (8) Cl.** **14-03**

(52) **U.S. Cl.** **D14/138**

(58) **Field of Classification Search** D14/138,
D14/496, 341-347; 455/575.3, 575.1; D21/517
See application file for complete search history.

(56) **References Cited**

U.S. PATENT DOCUMENTS

D500,480 S *	1/2005	Daw	D14/138
D508,034 S *	8/2005	Liao	D14/138
D508,035 S *	8/2005	Kim et al.	D14/138
D513,505 S *	1/2006	Lee	D14/138
D518,465 S *	4/2006	Van Den Nieuwenhuizen	D14/138
		et al.	D14/138
D519,479 S *	4/2006	Koo et al.	D14/138
D519,486 S *	4/2006	Lee et al.	D14/138
D535,635 S *	1/2007	Hwang et al.	D14/138
D536,685 S *	2/2007	Feng et al.	D14/138
D536,687 S *	2/2007	Lheem	D14/138
D537,061 S *	2/2007	Oh	D14/138
D537,429 S *	2/2007	Fahlgren	D14/138
D541,780 S *	5/2007	Park et al.	D14/138
D553,110 S *	10/2007	Park et al.	D14/138
D555,129 S *	11/2007	Han et al.	D14/138
D556,715 S *	12/2007	Kim et al.	D14/138
D558,167 S *	12/2007	Jung et al.	D14/138
D559,217 S *	1/2008	Helin et al.	D14/138
D560,189 S *	1/2008	Kim et al.	D14/138

D560,643 S *	1/2008	Kim et al.	D14/138
D561,718 S *	2/2008	Kim et al.	D14/138
D563,345 S *	3/2008	Kim et al.	D14/138
D563,349 S *	3/2008	Kim et al.	D14/138
D563,924 S *	3/2008	Arnold et al.	D14/138
D564,489 S *	3/2008	Hong et al.	D14/138
2006/0111163 A1 *	5/2006	Oh	455/575.7

FOREIGN PATENT DOCUMENTS

TW	D114168	*	12/2006
WO	DM/068836	*	4/2007

OTHER PUBLICATIONS

Nokia 6290 telephone, announced Nov. 2006, [online], [site visited Mar. 28, 2008]. Available from Internet ,<URL: http://www.gsmarena.com>.*

(Continued)

Primary Examiner—Jeffrey D Asch

(74) *Attorney, Agent, or Firm*—Frank R. Niranjana

(57) **CLAIM**

The ornamental design for a mobile phone, as shown and described.

DESCRIPTION

FIG. 1 is a perspective view of a mobile phone showing our new design;

FIG. 2 is a front elevational view thereof;

FIG. 3 is a rear elevational view thereof;

FIG. 4 is a left side elevational view thereof;

FIG. 5 is a right side elevational view thereof;

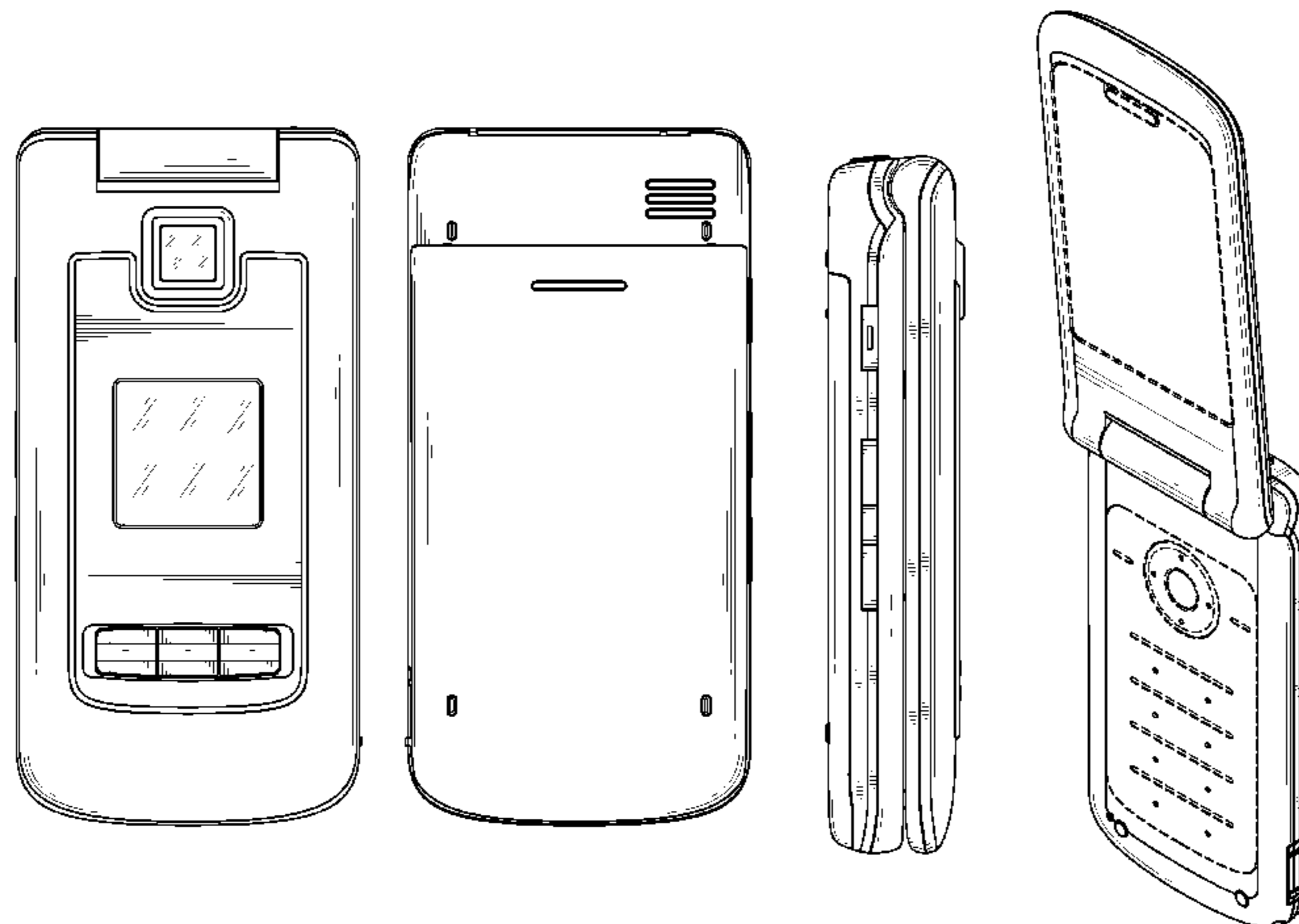
FIG. 6 is a top plan view thereof;

FIG. 7 is a bottom plan view thereof; and,

FIG. 8 is a perspective view in the open position thereof.

The broken lines shown in FIG. 8, which are immediately adjacent to the shaded areas and define unshaded regions, represent the bounds of the claimed design, while all other broken lines are directed to environment and are for illustrative purposes only; the broken lines form no part of the claimed design.

1 Claim, 8 Drawing Sheets



OTHER PUBLICATIONS

Samsung ZV60 telephone, announced Jul. 2007, [online], [site visited Mar. 28, 2008]. Available from Internet ,<URL: <http://www.gamarena.com>>.*

Samsung Z520 telephone, announced Feb. 2006, [online], [site visited Mar. 28, 2008]. Available from Internet ,<URL: <http://www.gsmarena.com>>.*

Sony Ericsson W710 telephone, announced May 2006, [online], [site visited Mar. 28, 2008]. Available from Internet ,<URL: <http://www.gsmarena.com>>.*

LG Trax CU575 telephone, announced Aug. 2007, [online], [site visited Mar. 28, 2008]. Available from Internet ,<URL: <http://www.gsmarena.com>>.*

LG KU730 telephone, announced Feb. 2006, [online], [site visited Mar. 28, 2008]. Available from Internet ,<URL: <http://www.gsmarena.com>>.*

LG U890 telephone, announced Feb. 2006, [online], [site visited Mar. 28, 2008]. Available from Internet ,<URL: <http://www.gsmarena.com>>.*

Asus M303 telephone, announced Mar. 2006, [online], [site visited Mar. 28, 2008]. Available from Internet ,<URL: <http://www.gsmarena.com>>.*

LG KU311 telephone, announced Feb. 2007, [online], [site visited Mar. 28, 2008]. Available from Internet ,<URL: <http://www.gsmarena.com>>.*

* cited by examiner

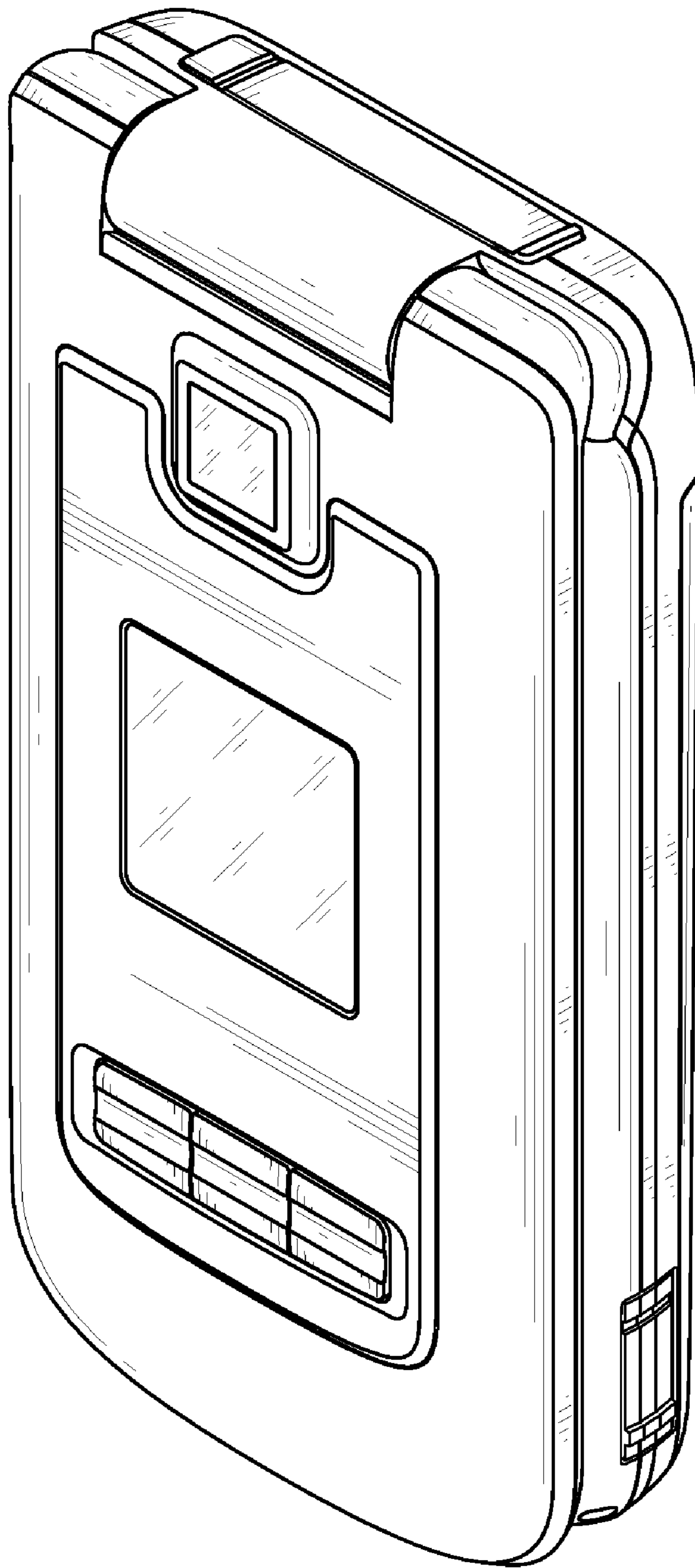


FIG. 1

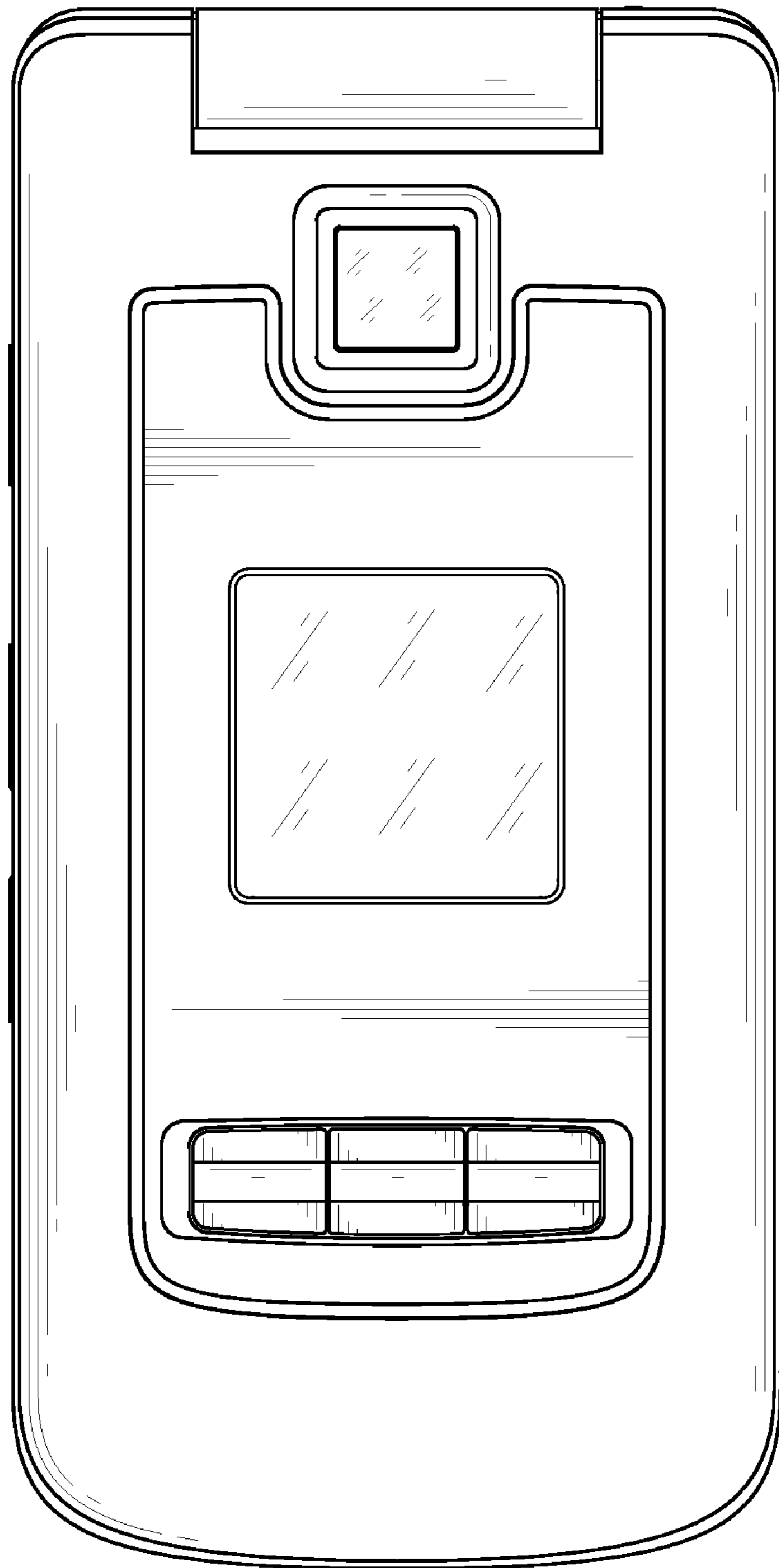


FIG. 2

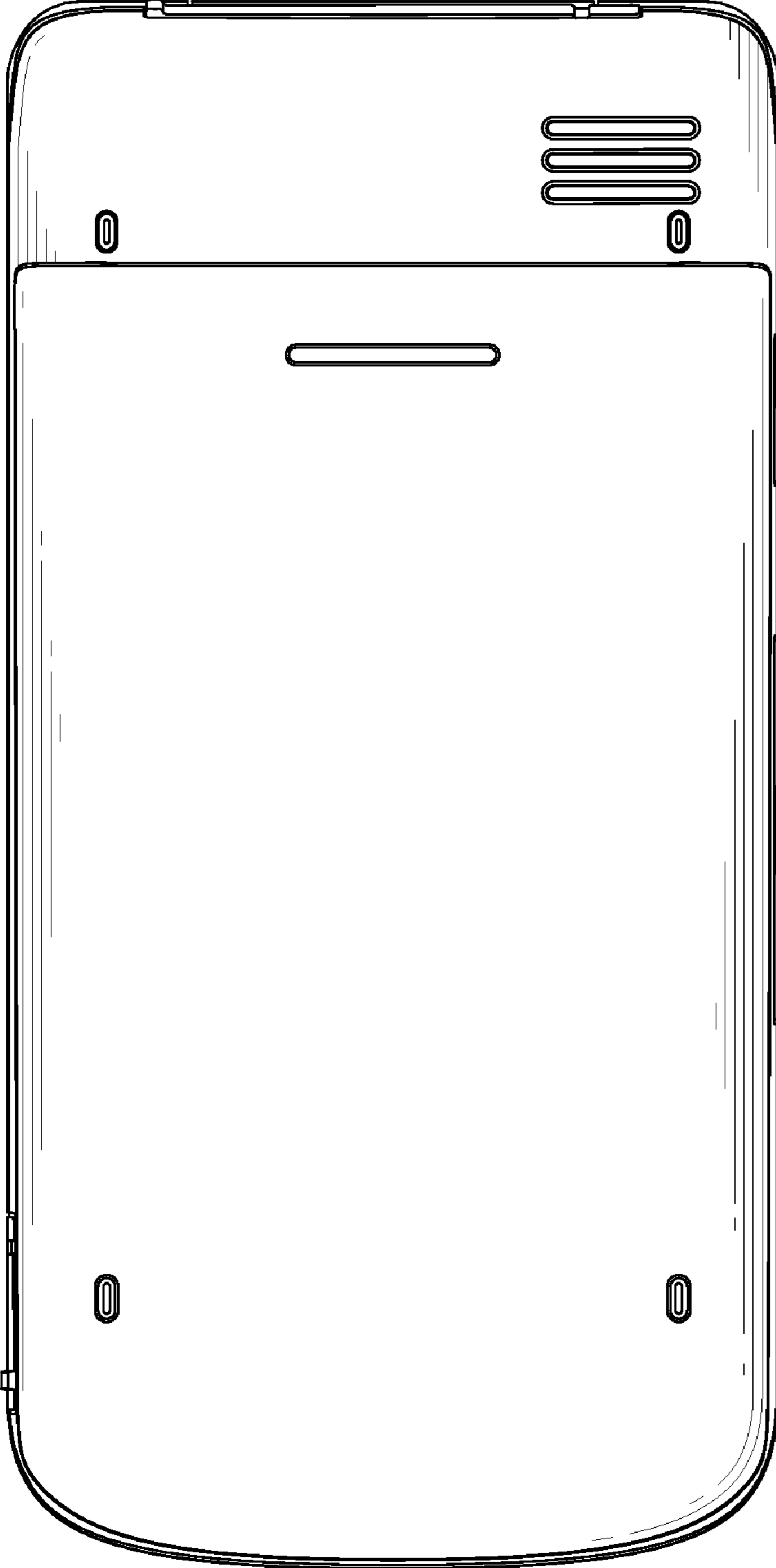


FIG. 3

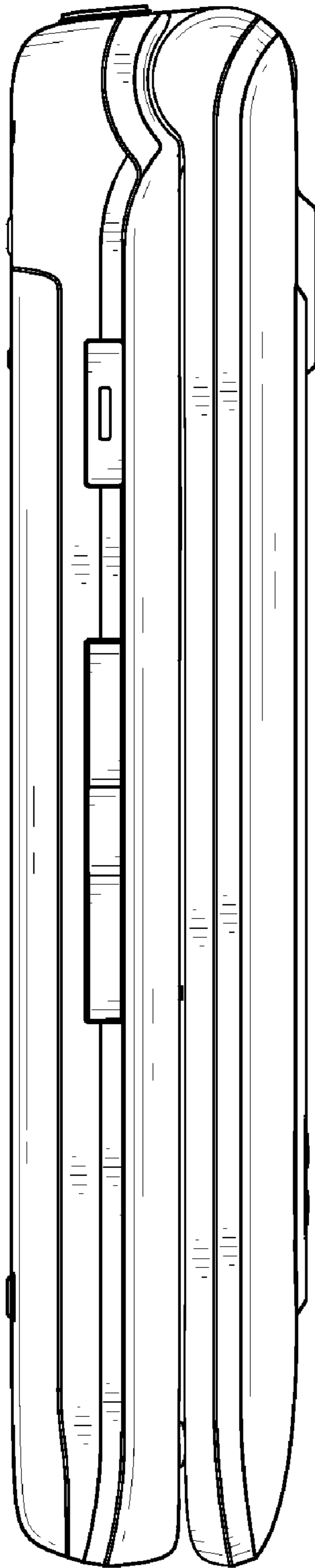


FIG. 4

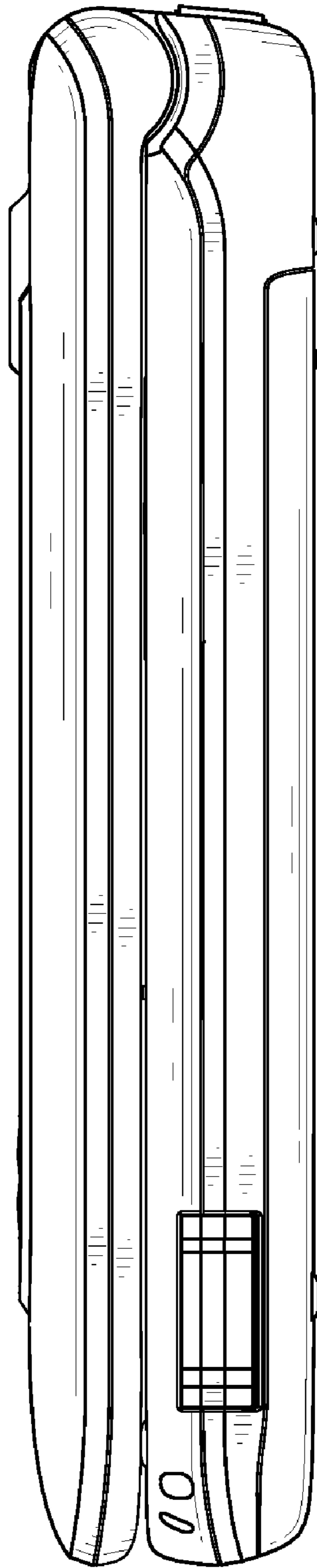


FIG. 5

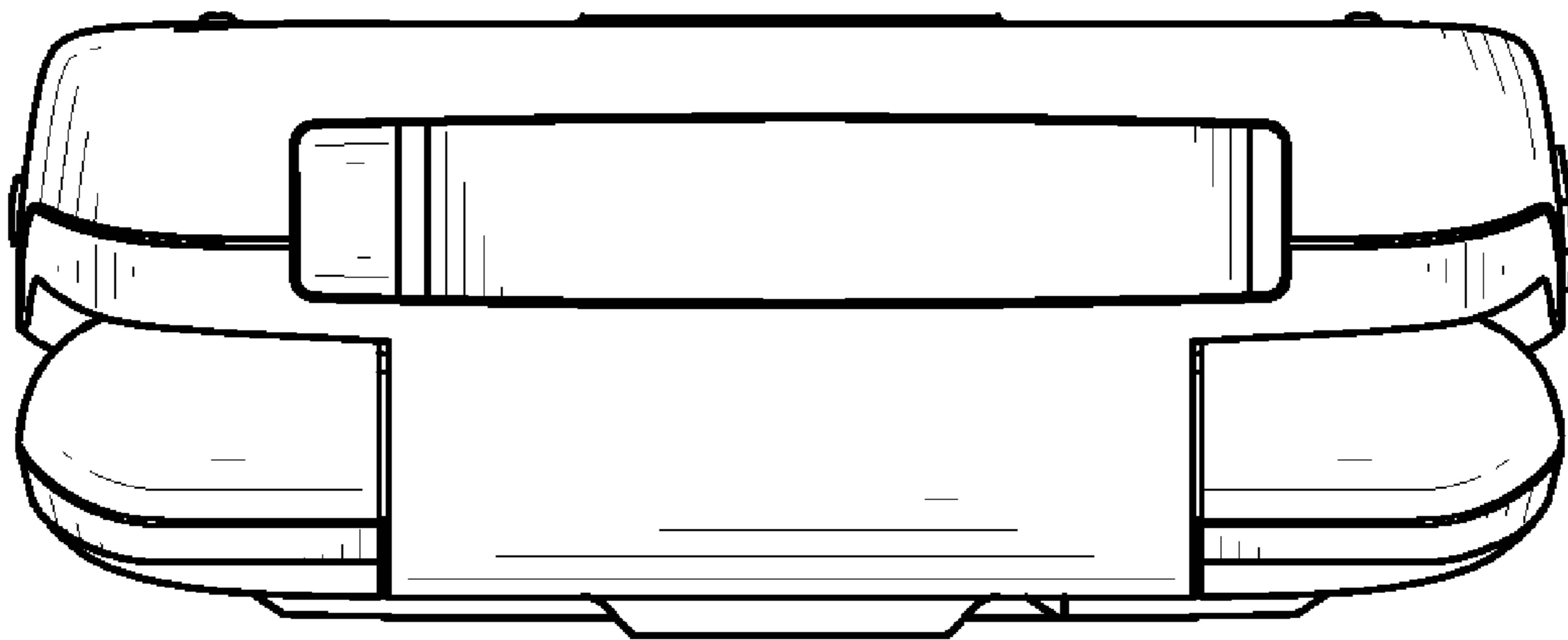


FIG. 6

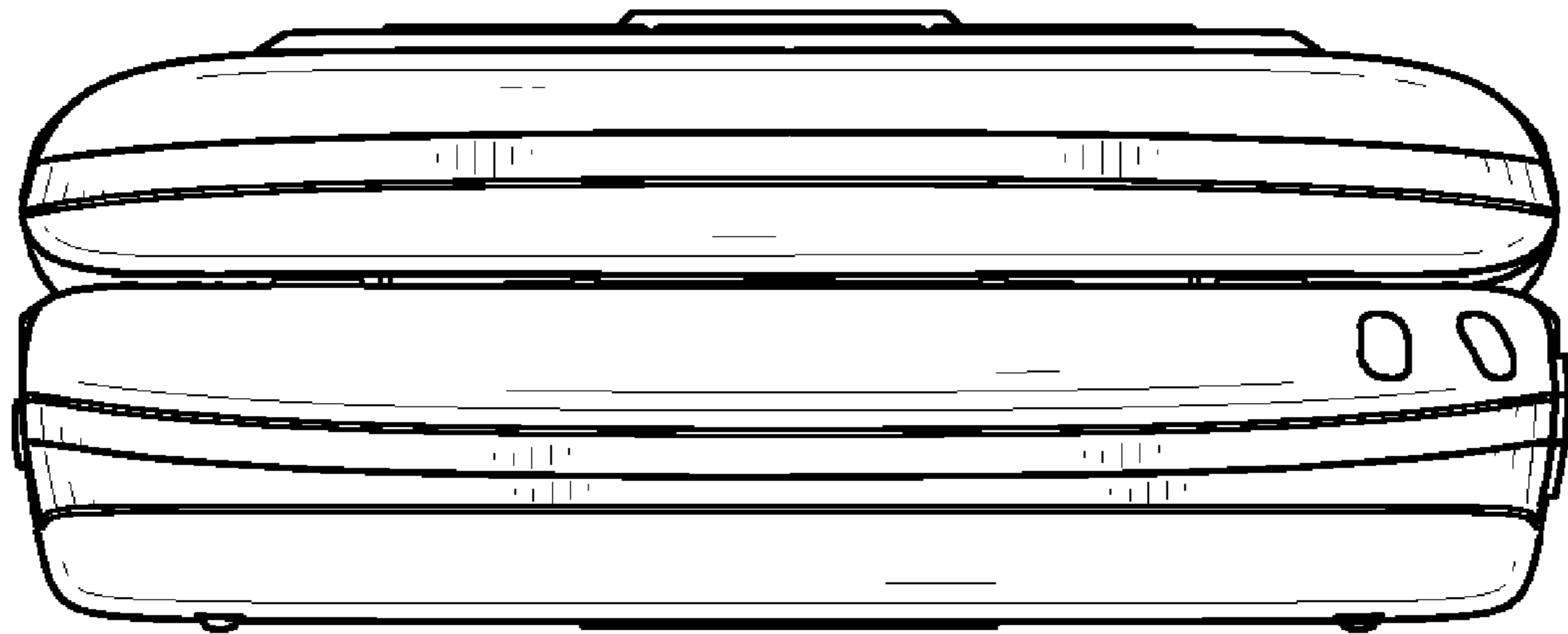


FIG. 7

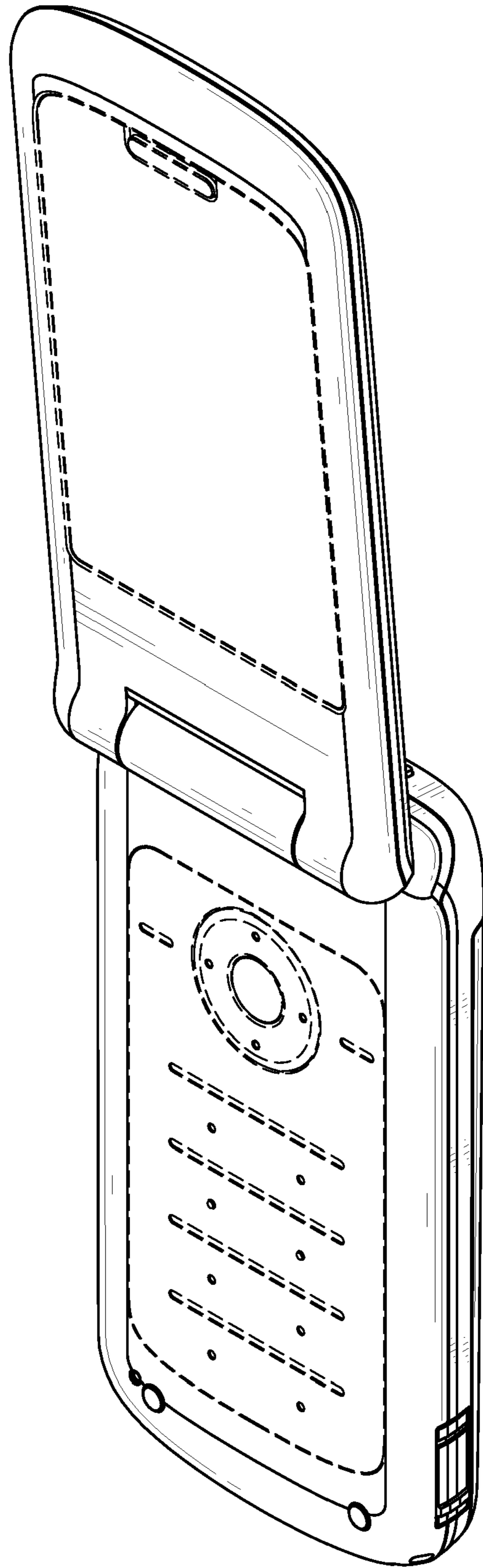


FIG. 8