



US00D573964S

(12) **United States Design Patent**
Lee et al.

(10) **Patent No.:** **US D573,964 S**
(45) **Date of Patent:** **** Jul. 29, 2008**

(54) **MOBILE PHONE**

(75) Inventors: **Woo Seok Lee**, Seoul (KR); **Nam Mi Kim**, Seoul (KR); **Chang Hwan Hwang**, Seoul (KR)

(73) Assignee: **Samsung Electronics Co., Ltd.**, Suwon (KR)

(**) Term: **14 Years**

(21) Appl. No.: **29/271,775**

(22) Filed: **Jan. 26, 2007**

(51) **LOC (8) Cl.** **14-03**

(52) **U.S. Cl.** **D14/138**

(58) **Field of Classification Search** D14/137,
D14/138, 147, 218, 341-347, 144, 148, 156,
D14/247-248, 455, 456, 496; D18/6, 7;
D21/517; 455/575.1, 575.3; 345/169
See application file for complete search history.

(56) **References Cited**

U.S. PATENT DOCUMENTS

D500,016 S *	12/2004	Kim	D14/138
D501,839 S *	2/2005	Lee et al.	D14/138
D508,475 S *	8/2005	Wu et al.	D14/138
D512,039 S *	11/2005	Kim et al.	D14/138
7,003,318 B2 *	2/2006	Kota et al.	455/556.1
D522,991 S *	6/2006	Yun et al.	D14/138
D543,526 S *	5/2007	Jung et al.	D14/138
7,239,289 B2 *	7/2007	Kim	343/860
D550,183 S *	9/2007	Lee et al.	D14/138
D556,717 S *	12/2007	Song et al.	D14/138
D561,150 S *	2/2008	Kim et al.	D14/138
D561,718 S *	2/2008	Kim et al.	D14/138
D563,347 S *	3/2008	Park et al.	D14/138

D563,349 S *	3/2008	Kim et al.	D14/138
D563,375 S *	3/2008	Kim et al.	D14/138
D563,926 S *	3/2008	Kim et al.	D14/138
D563,927 S *	3/2008	Kim et al.	D14/138
2004/0077385 A1 *	4/2004	Makino et al.	455/575.1
2007/0004475 A1 *	1/2007	Kuo et al.	455/575.3

OTHER PUBLICATIONS

Samsung X680, announced 2nd quarter 2006, [online], [retrieved on Mar. 10, 2008]. Retrieved from Internet ,<URL: <http://www.gsmarena.com>>.*

Samsung E380, announced Jul. 2006, [online], [retrieved on Mar. 10, 2008]. Retrieved from Internet ,<URL: <http://www.gsmarena.com>>.*

* cited by examiner

Primary Examiner—Ian Simmons

Assistant Examiner—Bridget L Eland

(74) *Attorney, Agent, or Firm*—Ladas and Parry LLP

(57) **CLAIM**

We claim the ornamental design for a mobile phone, as shown and described.

DESCRIPTION

FIG. 1 is a front/right-side/top perspective view of a mobile phone showing our new design;

FIG. 2 is a front elevational view thereof;

FIG. 3 is a rear elevational view thereof;

FIG. 4 is a left-side elevational view thereof;

FIG. 5 is a right-side elevational view thereof;

FIG. 6 is a top plan view thereof; and,

FIG. 7 is a bottom plan view thereof.

1 Claim, 6 Drawing Sheets

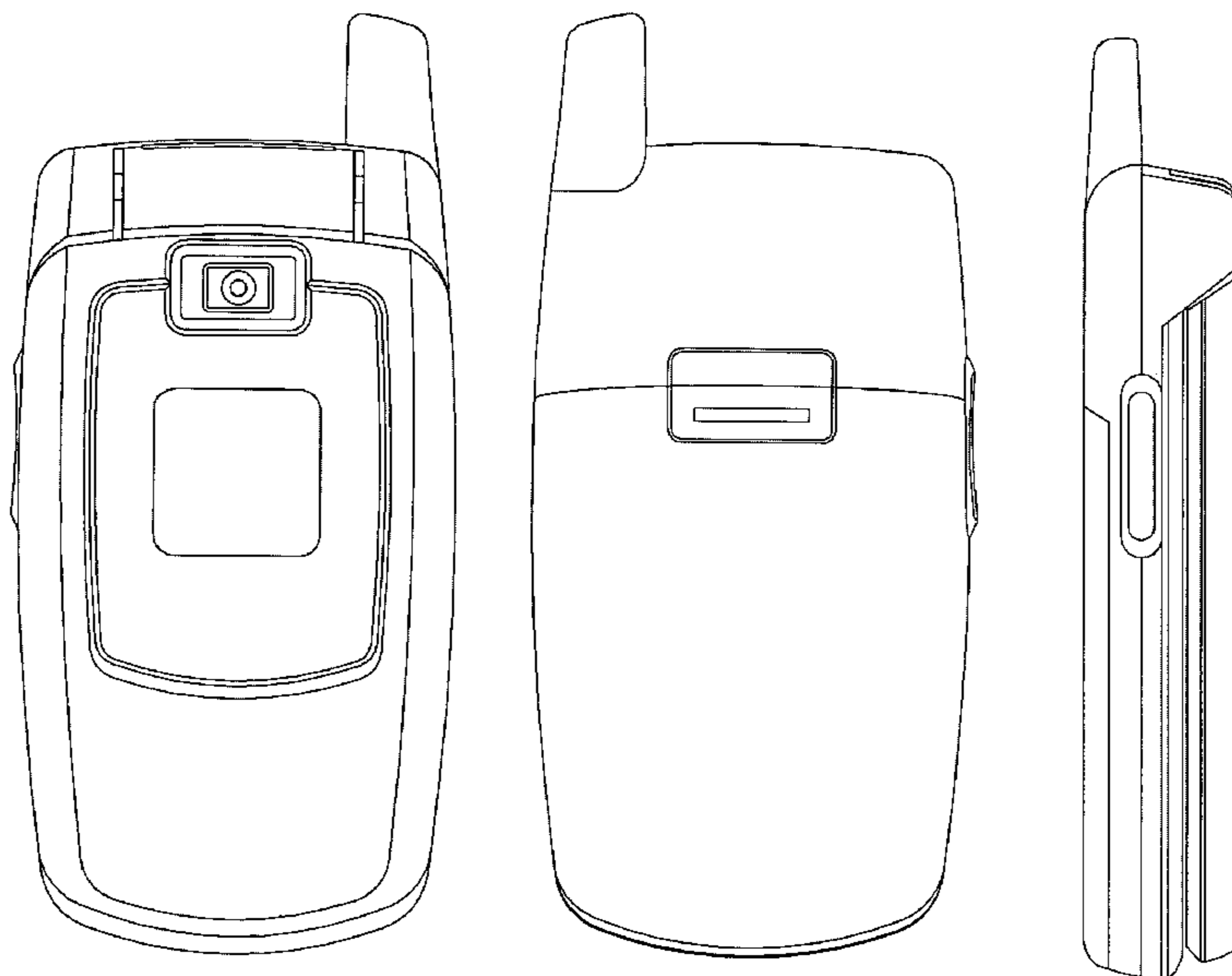


FIG. 1

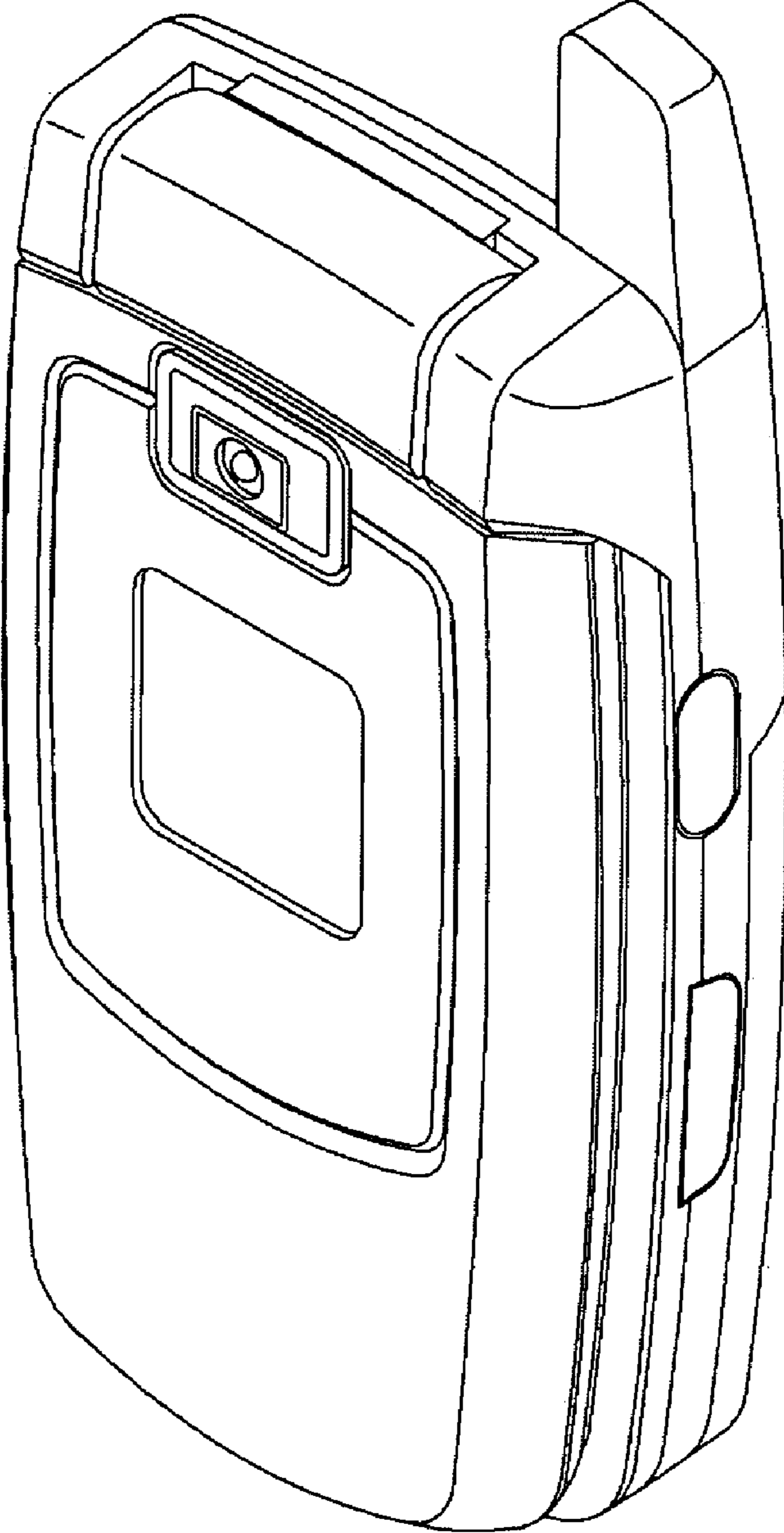


FIG. 2

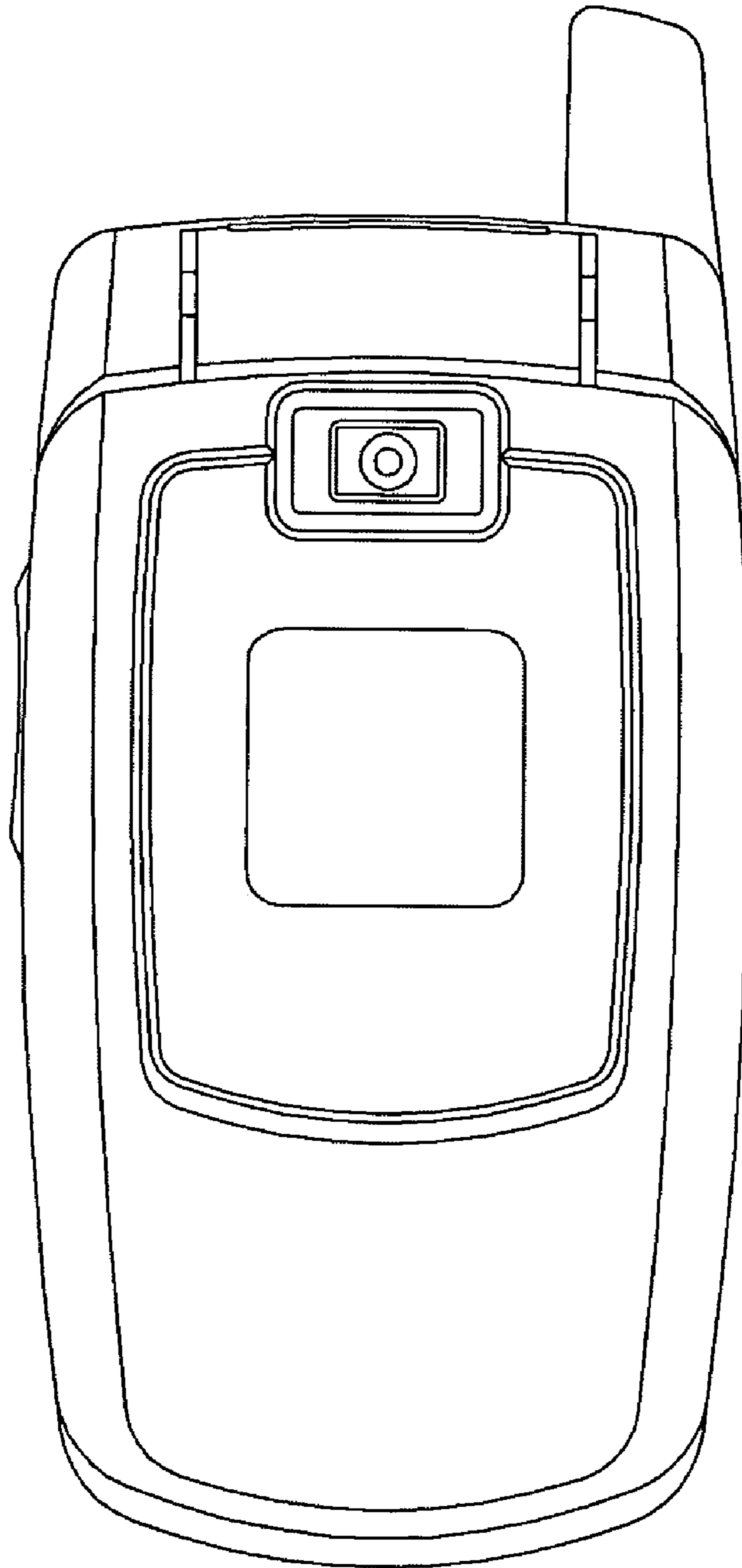


FIG. 3

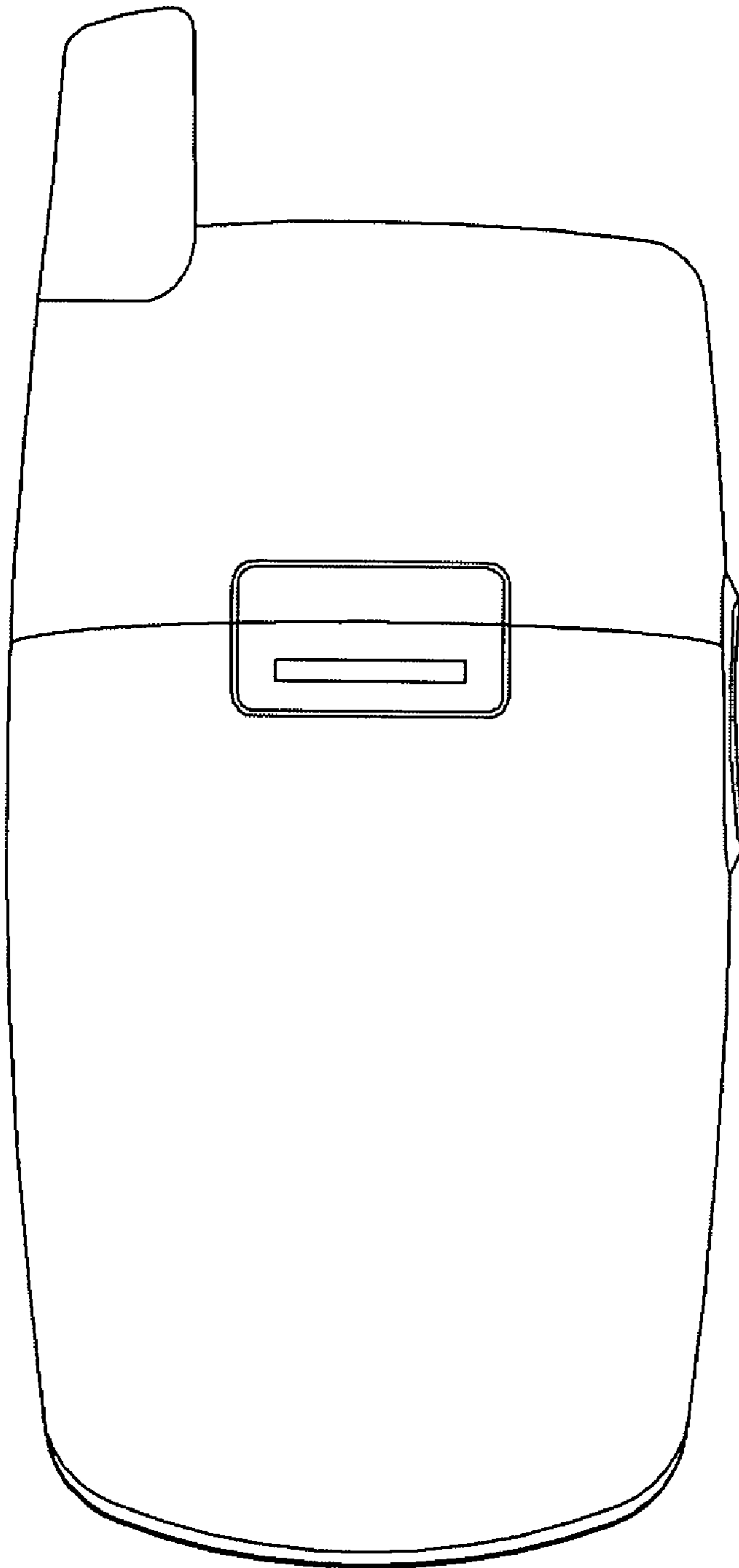


FIG. 4

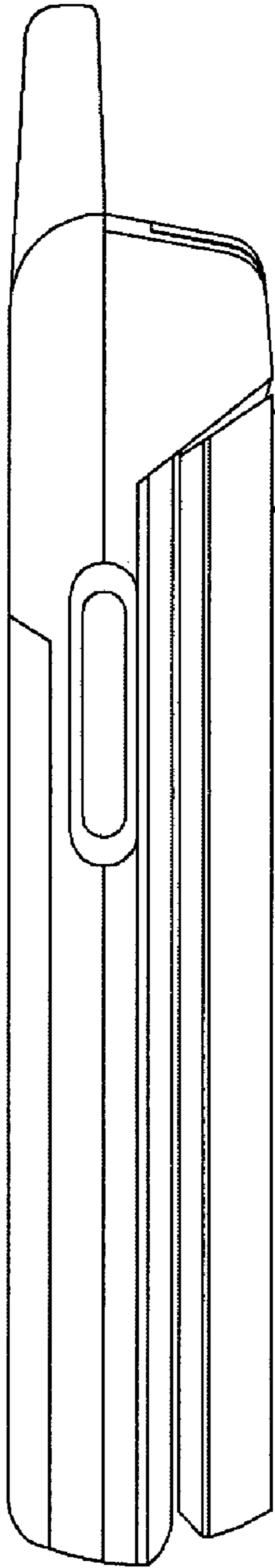


FIG. 5

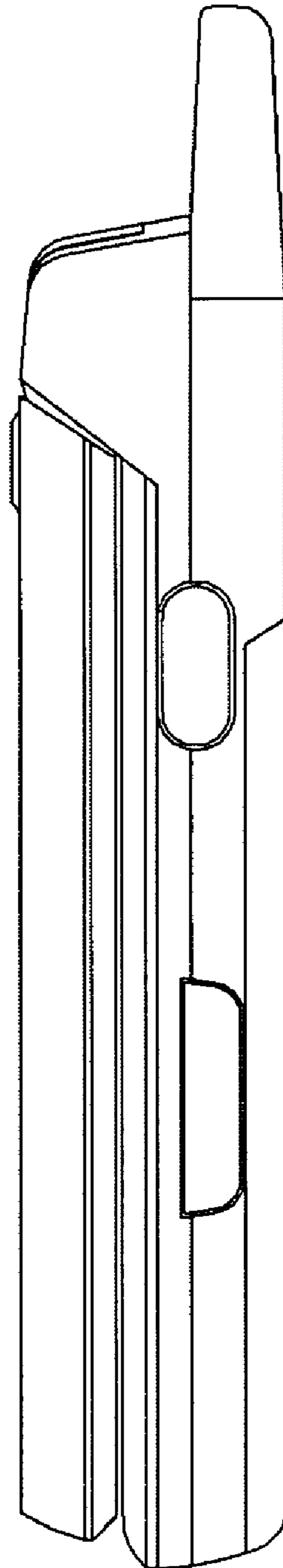


FIG. 6

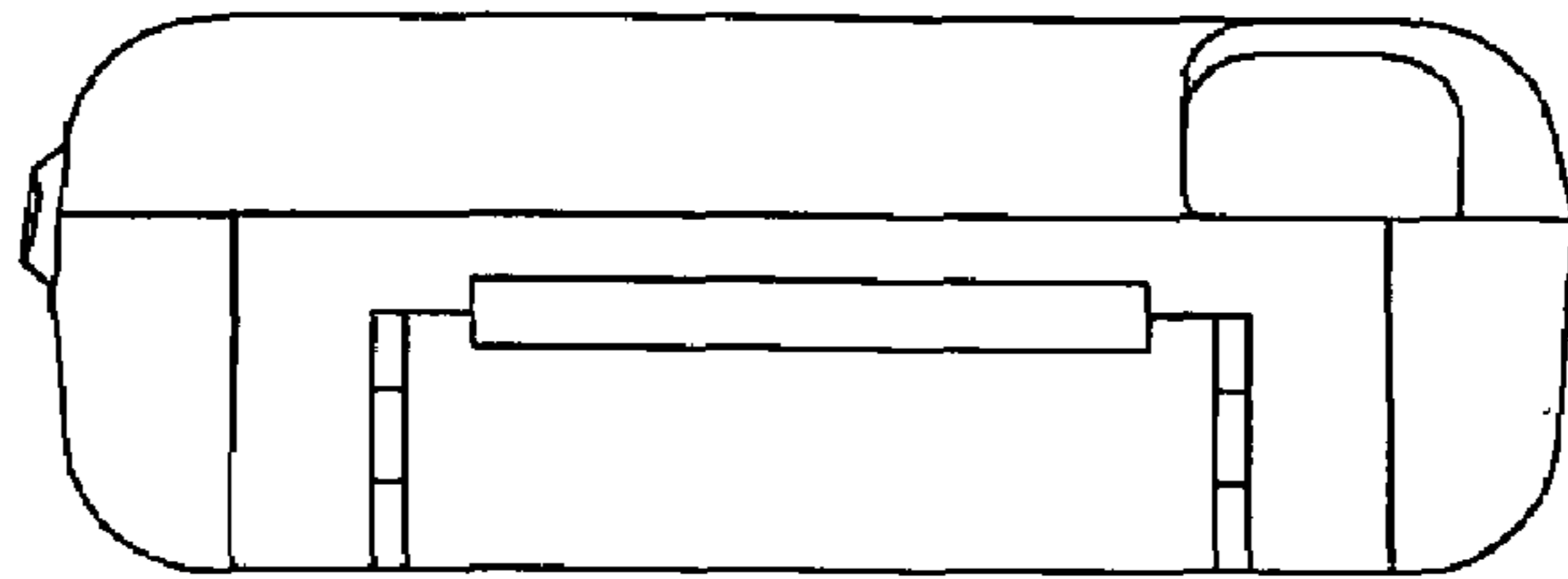


FIG. 7

