



US00D573954S

(12) **United States Design Patent**
Bedggood

(10) **Patent No.:** **US D573,954 S**

(45) **Date of Patent:** **** Jul. 29, 2008**

(54) **SWITCH**

(75) Inventor: **Luke Bedggood**, Surbiton (GB)

(73) Assignee: **Albright International Limited**,
Surbiton, Surrey (GB)

(**) Term: **14 Years**

(21) Appl. No.: **29/292,643**

(22) Filed: **Oct. 22, 2007**

(30) **Foreign Application Priority Data**

Apr. 23, 2007 (EM) 000711825-0003

(51) **LOC (8) Cl.** **13-03**

(52) **U.S. Cl.** **D13/158**

(58) **Field of Classification Search** D13/158,
D13/171; 200/341, 302.1, 524
See application file for complete search history.

(56) **References Cited**

U.S. PATENT DOCUMENTS

D183,430	S	*	8/1958	Schmidt	D13/171
3,624,328	A	*	11/1971	Hansen	200/524
D266,084	S	*	9/1982	Colavecchio	D13/158
D288,315	S	*	2/1987	Nelson	D13/158
4,965,420	A	*	10/1990	Phillips et al.	200/341
5,345,050	A	*	9/1994	Branch et al.	200/341

6,144,000	A	*	11/2000	Webb	200/302.1
6,326,572	B1	*	12/2001	Yu	200/524
D511,504	S	*	11/2005	Sang	D13/171
2002/0046938	A1	*	4/2002	Donofrio et al.	200/302.1
2002/0125119	A1	*	9/2002	Cole et al.	200/341

* cited by examiner

Primary Examiner—Daniel Bui

Assistant Examiner—Thomas J Johannes

(74) *Attorney, Agent, or Firm*—RatnerPrestia

(57) **CLAIM**

The ornamental design for a switch, as shown and described.

DESCRIPTION

FIG. 1 is a top plan view of the switch showing my new design.

FIG. 2 is a bottom plan view thereof.

FIG. 3 is a front view thereof.

FIG. 4 is a rear view thereof.

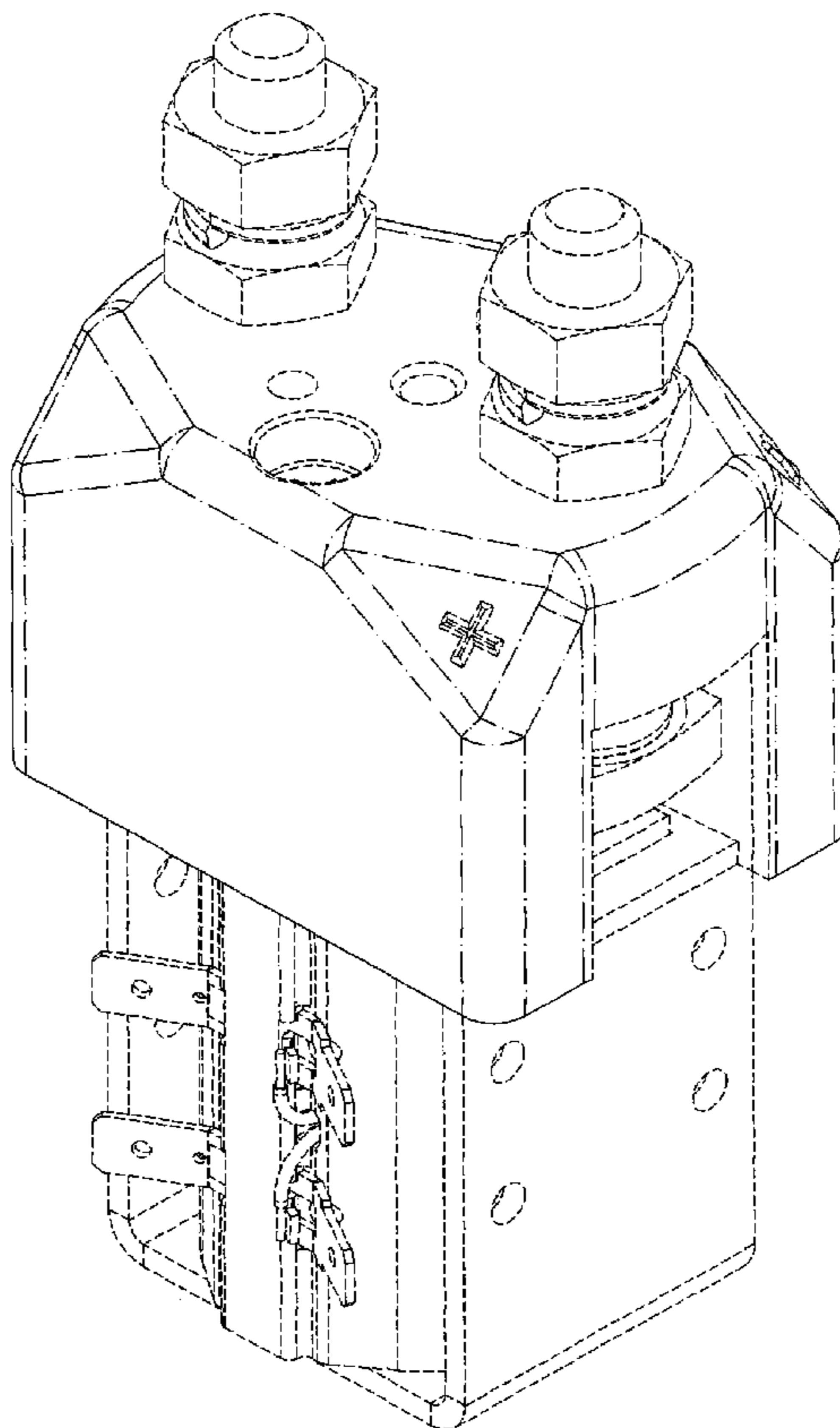
FIG. 5 is a left side view thereof.

FIG. 6 is a right side view thereof; and,

FIG. 7 is a perspective view thereof.

The broken lines are for illustration only and form no part of the claimed design.

1 Claim, 7 Drawing Sheets



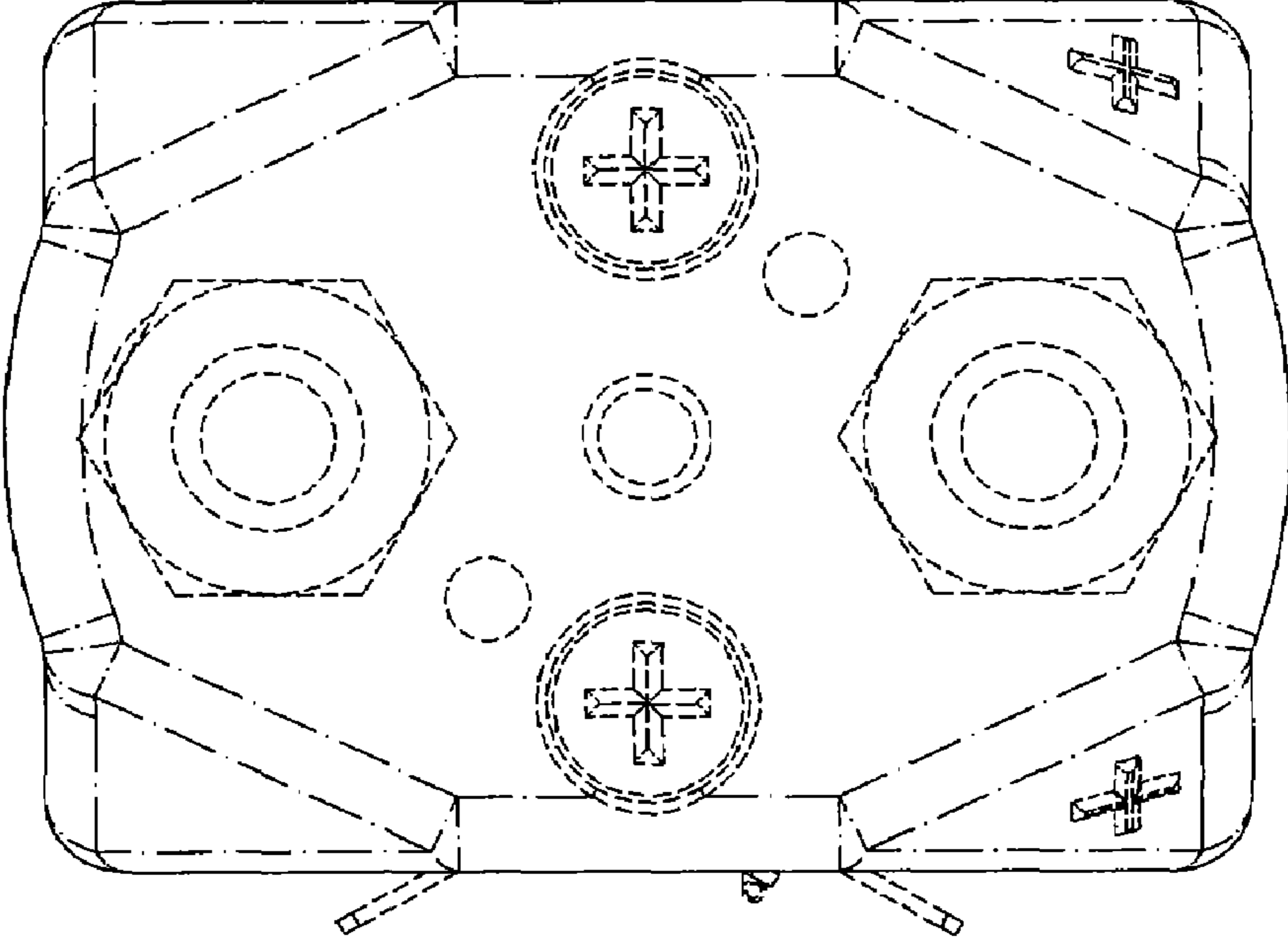


FIG. 1

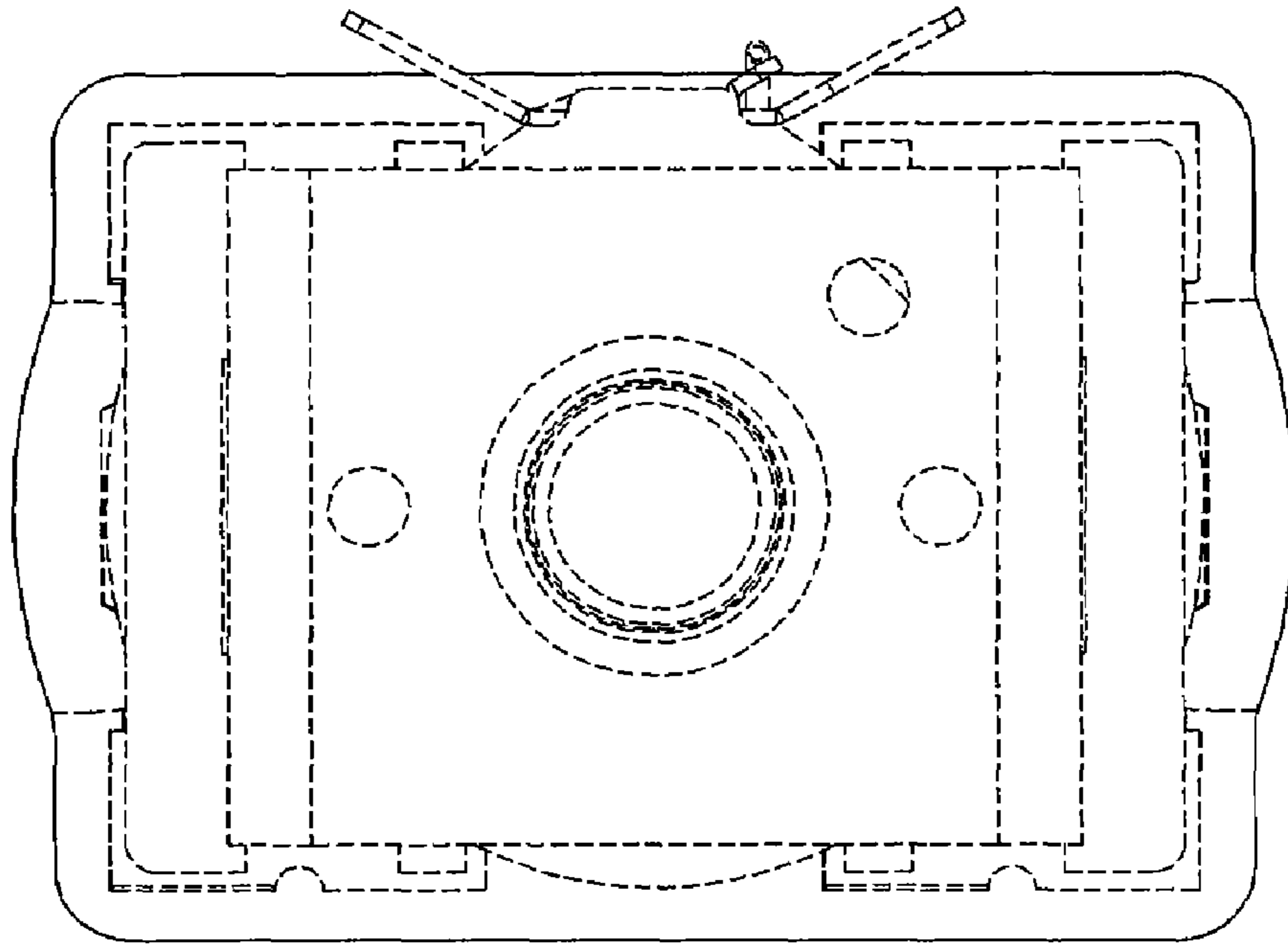


FIG. 2

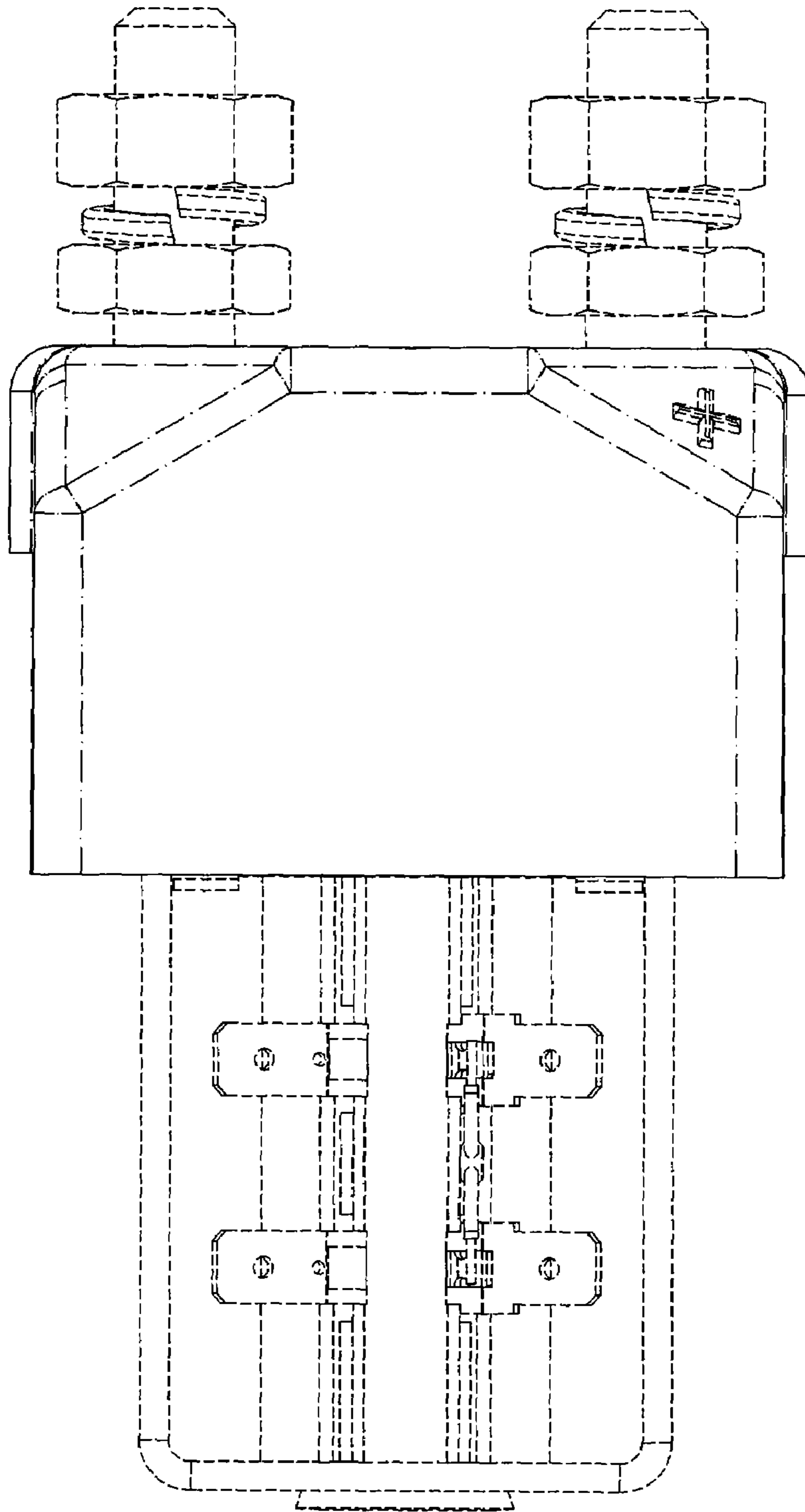


FIG. 3

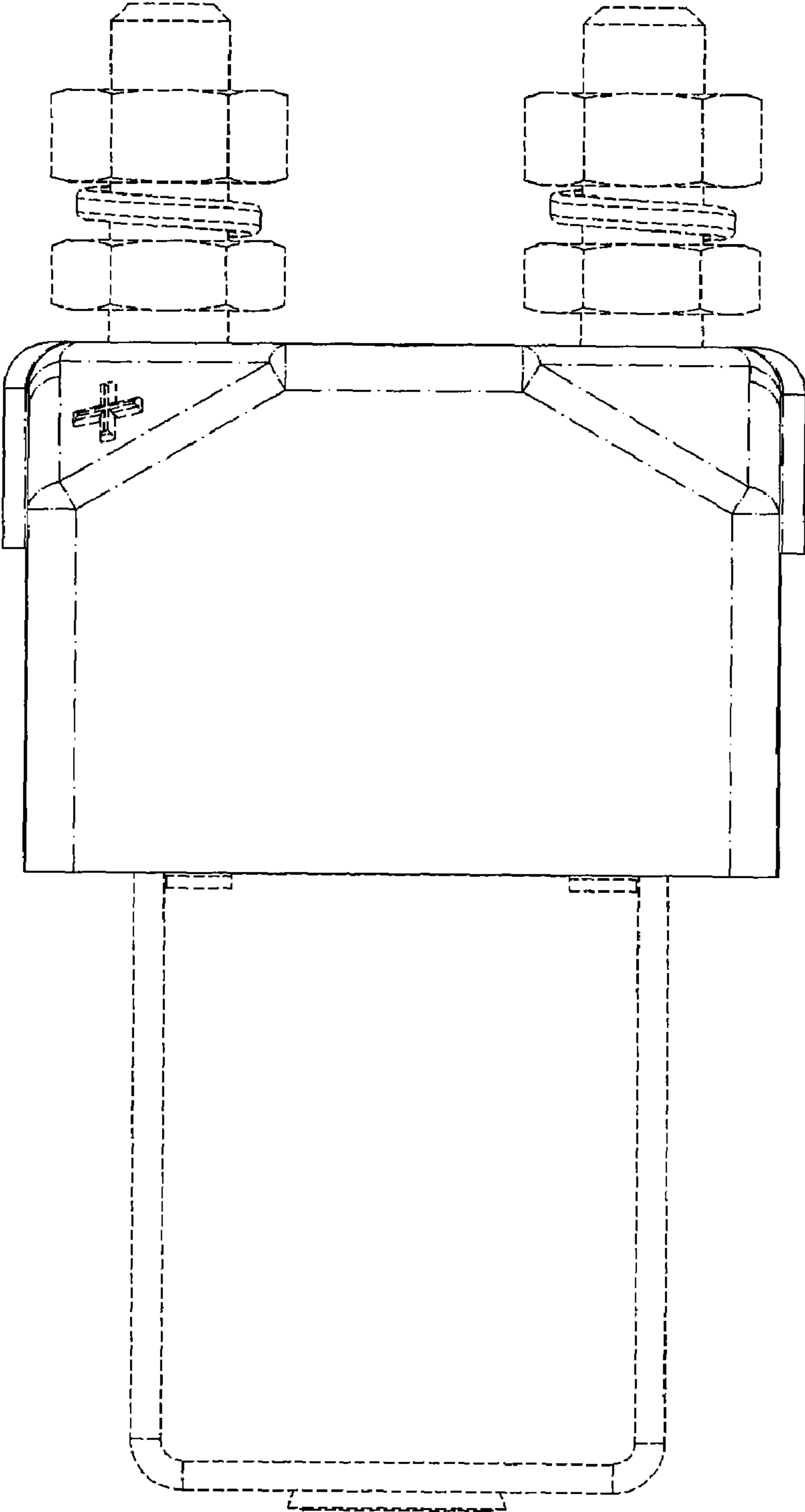


FIG. 4

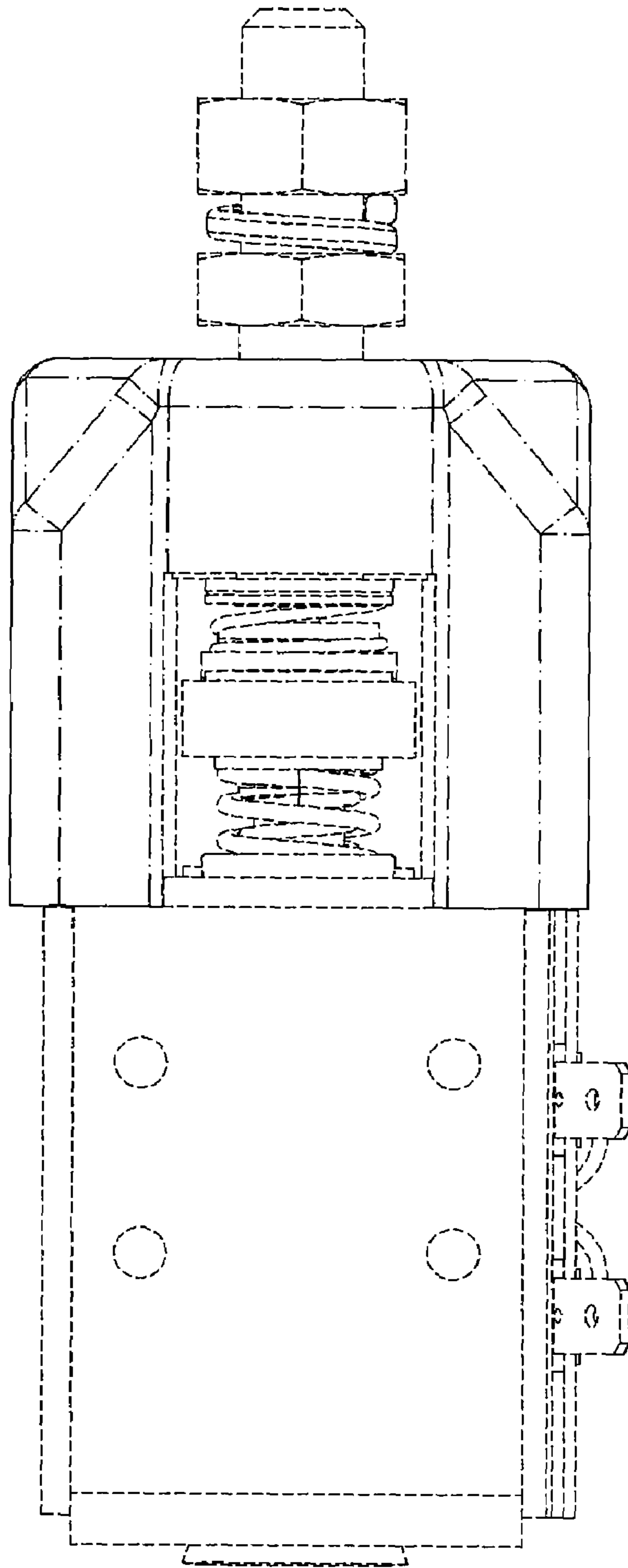


FIG. 5

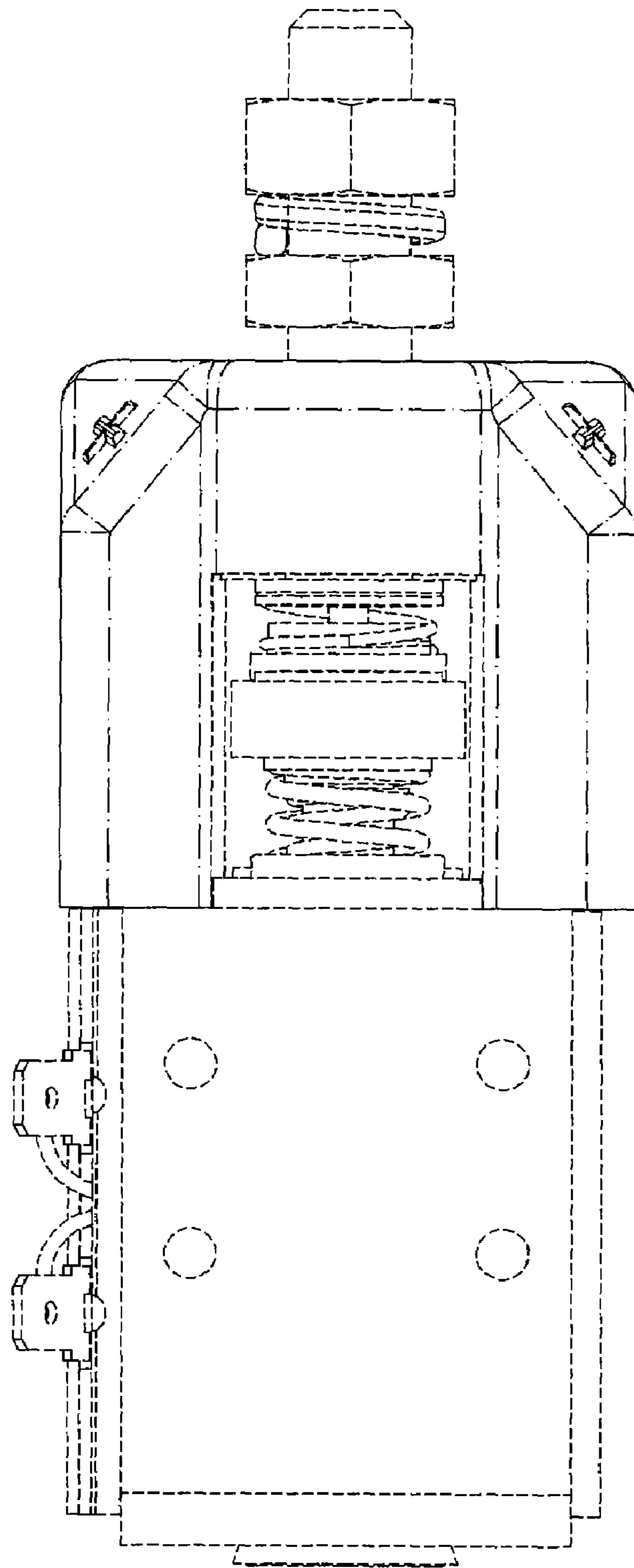


FIG. 6

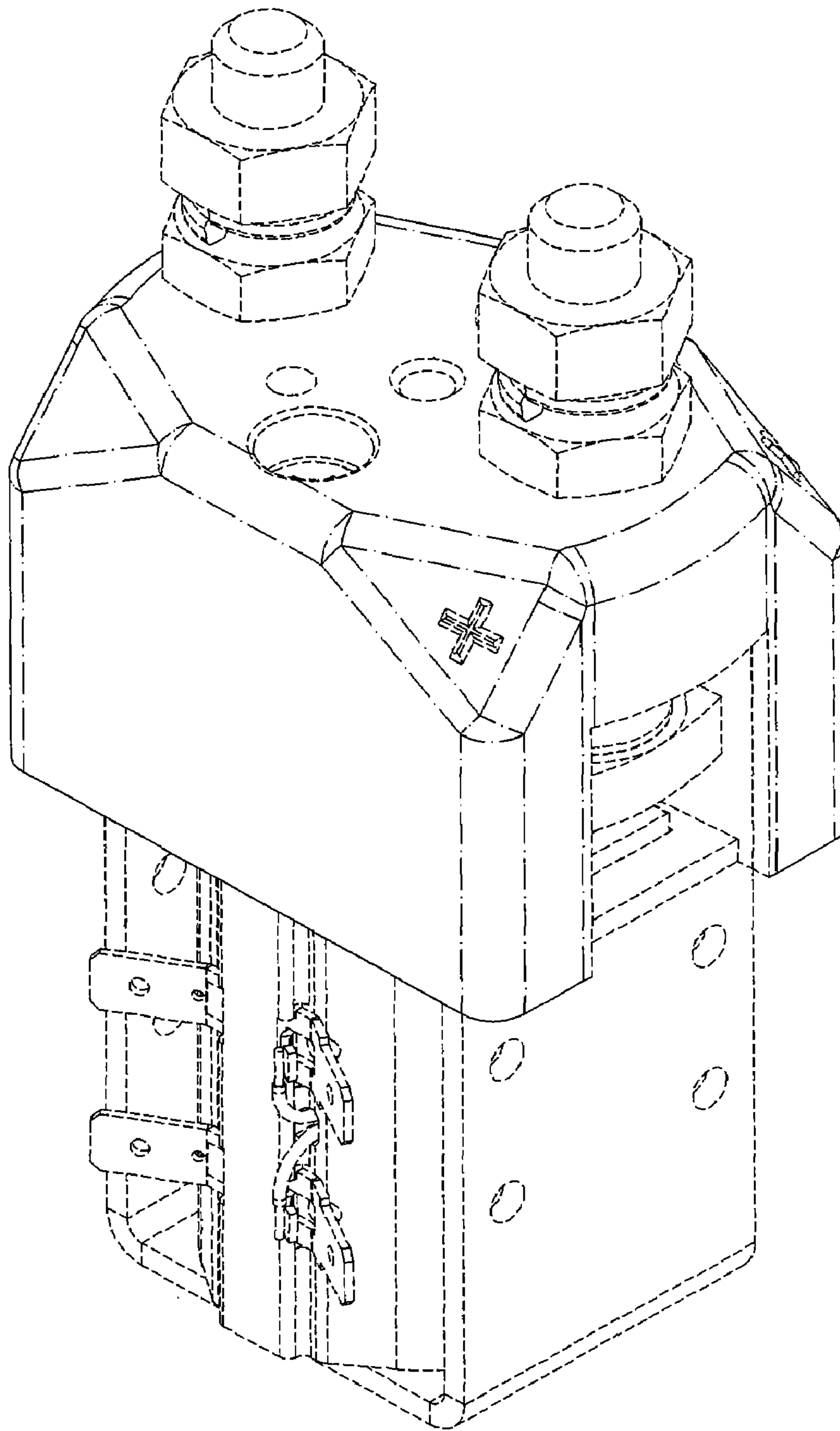


FIG. 7