

US00D573953S

(12) **United States Design Patent**
Wilson

(10) **Patent No.:** **US D573,953 S**

(45) **Date of Patent:** **** Jul. 29, 2008**

(54) **POWER PLUG SHIELD**

Primary Examiner—Brian N Vinson

(76) **Inventor:** **Ronald Wilson**, 3435 Olinville Ave.,
Bronx, NY (US) 10467

(57) **CLAIM**

The ornamental design for a power plug shield, as shown and described.

(**) **Term:** **14 Years**

(21) **Appl. No.:** **29/267,184**

DESCRIPTION

(22) **Filed:** **Oct. 7, 2006**

FIG. 1 is a top plan view of a power plug shield showing my new design;

(51) **LOC (8) Cl.** **13-03**

FIG. 2 is a bottom plan view thereof;

(52) **U.S. Cl.** **D13/156**

FIG. 3 is a front elevational view thereof;

(58) **Field of Classification Search** D13/156;
D8/330-331, 346; 439/133-134, 149, 521;
174/67; 220/3.8

FIG. 4 is a rear elevational thereof;

FIG. 5 is a left side elevational view thereof;

See application file for complete search history.

FIG. 6 is a right side elevational view thereof;

(56) **References Cited**

FIG. 7 is a top plan view showing the present invention adapted to an open position;

U.S. PATENT DOCUMENTS

FIG. 8 is a front elevational view thereof;

4,705,335	A	*	11/1987	Goebel	439/133
D325,374	S	*	4/1992	Ashby	D13/156
5,566,847	A		10/1996	Ali et al.		
D386,149	S	*	11/1997	Malone et al.	D13/156
D410,435	S		6/1999	Hambleton		
6,149,445	A		11/2000	Daddono		
D527,612	S	*	9/2006	Johnson	D8/330

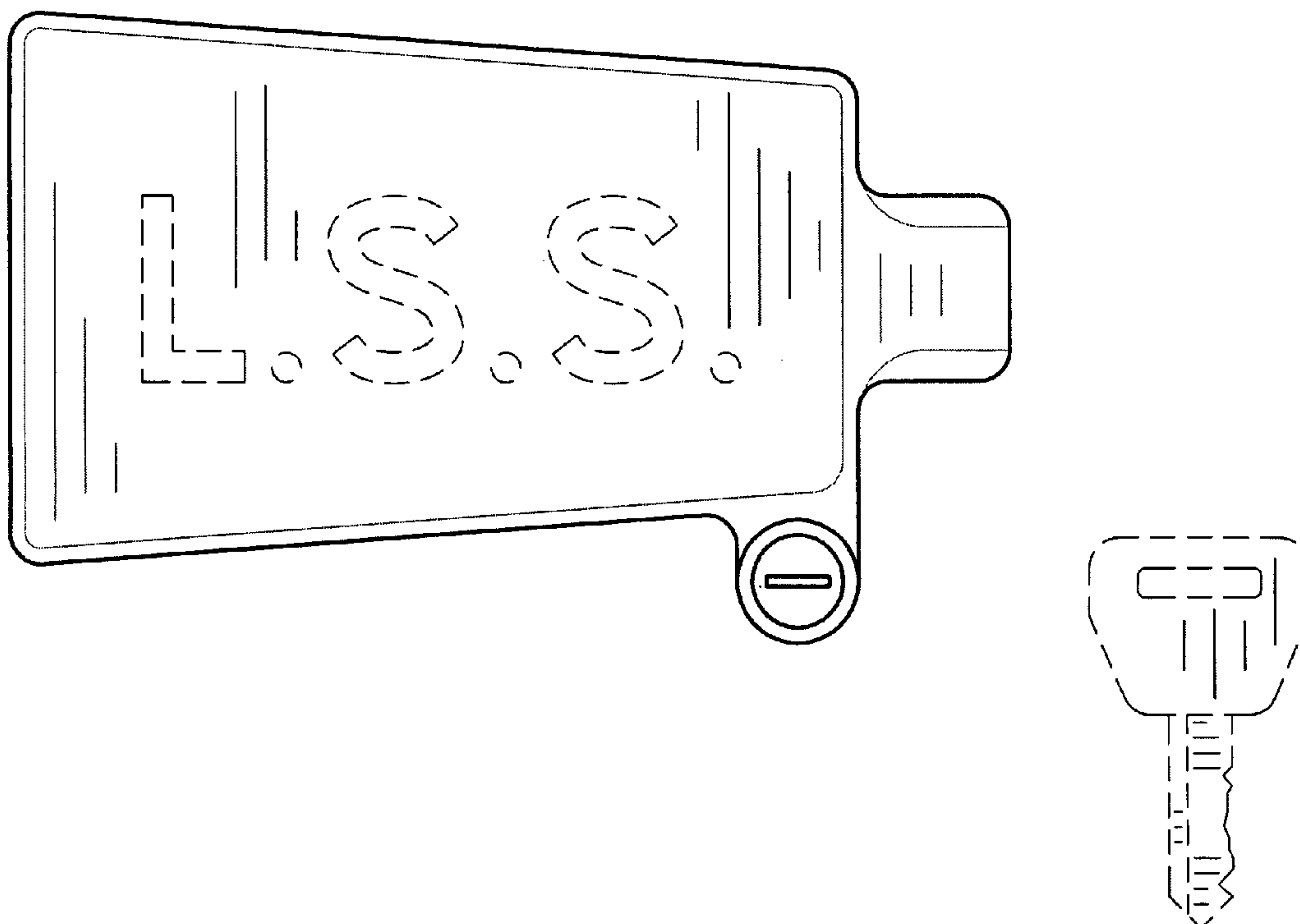
FIG. 9 is a bottom plan view thereof; and,

FIG. 10 is a rear elevational view thereof.

The indicia or broken lines shown on the figures are for illustrative purposes only and are hereby disclaimed as forming no part of Applicant's claimed invention.

* cited by examiner

1 Claim, 10 Drawing Sheets



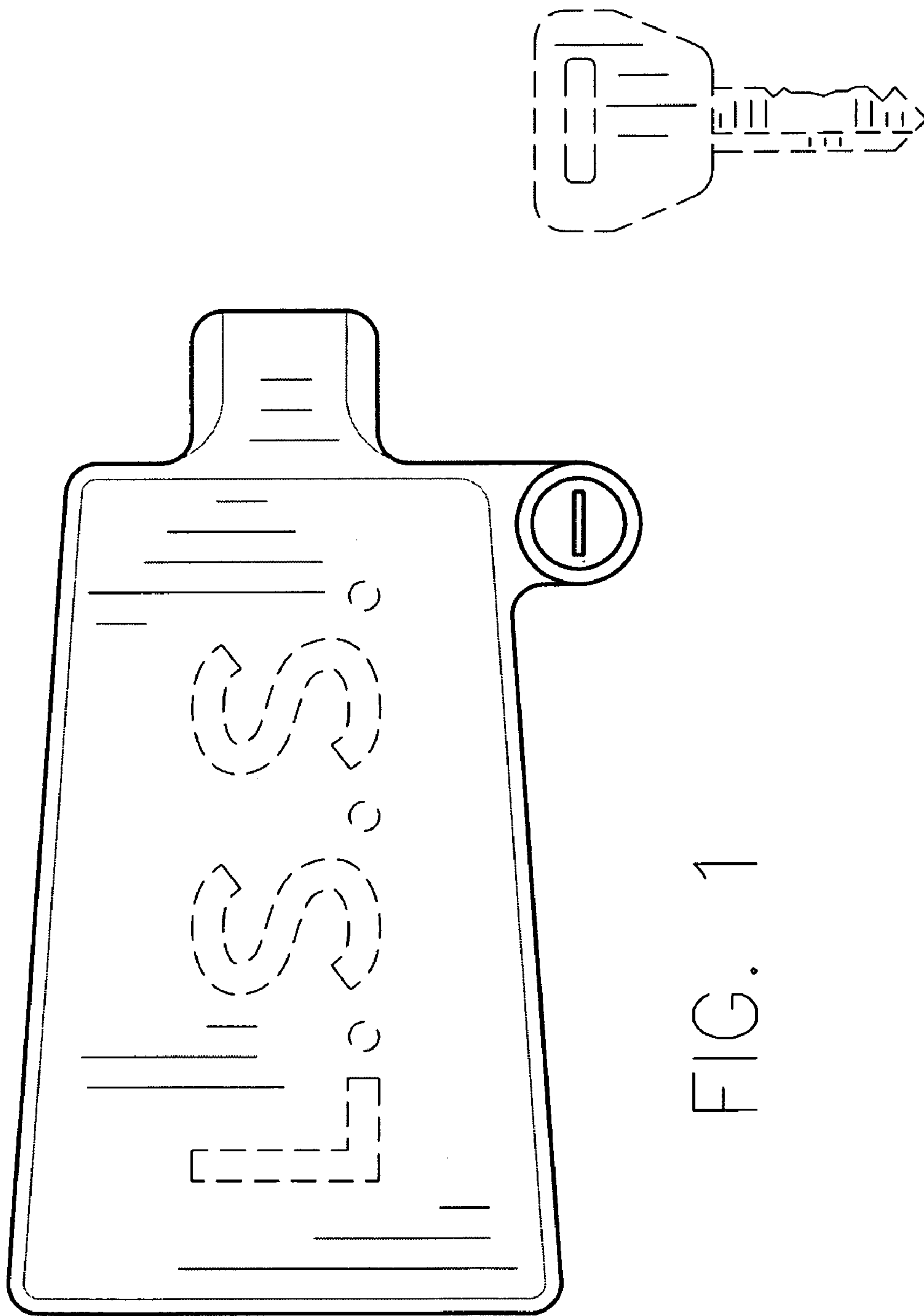


FIG. 1

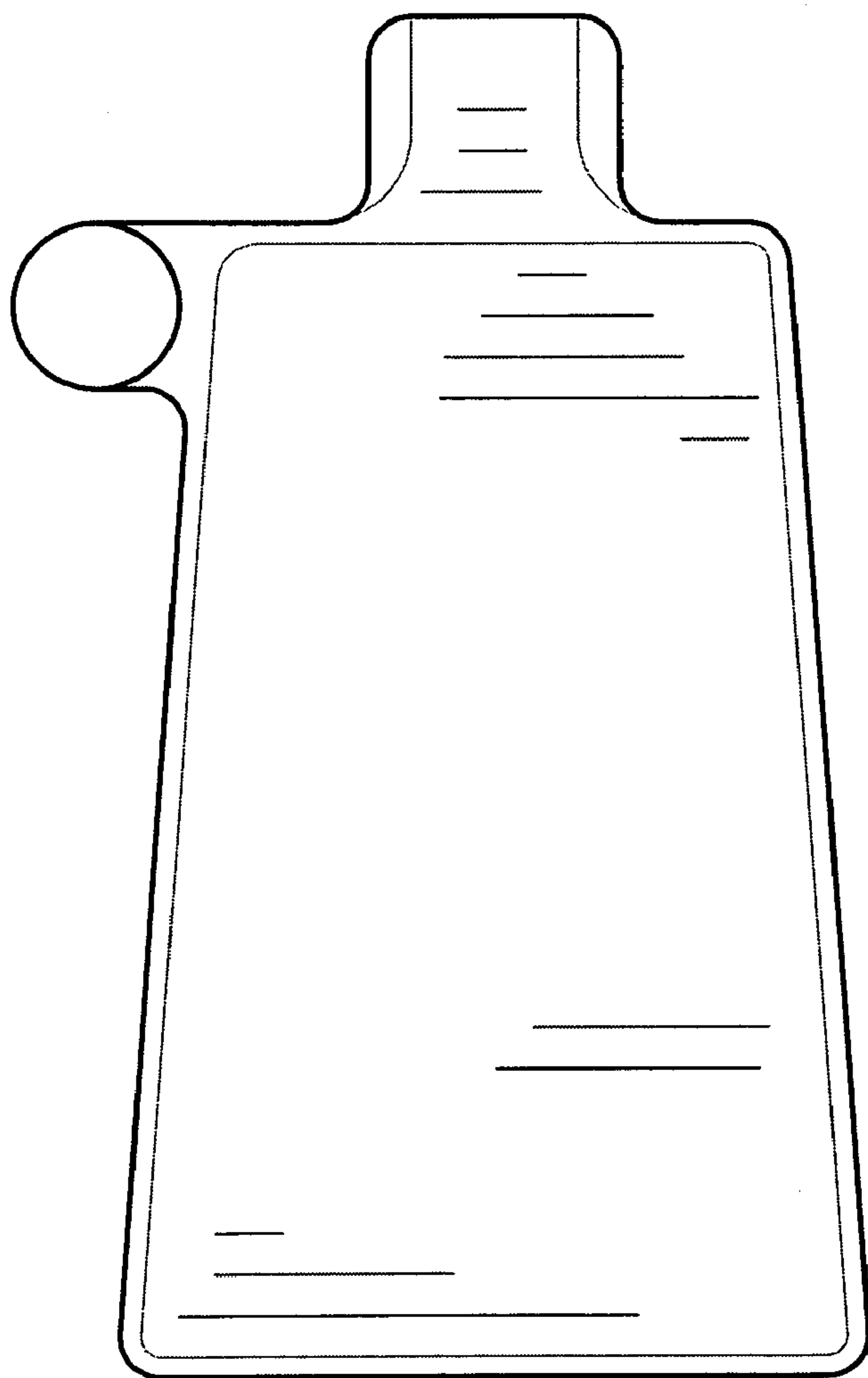


FIG. 2

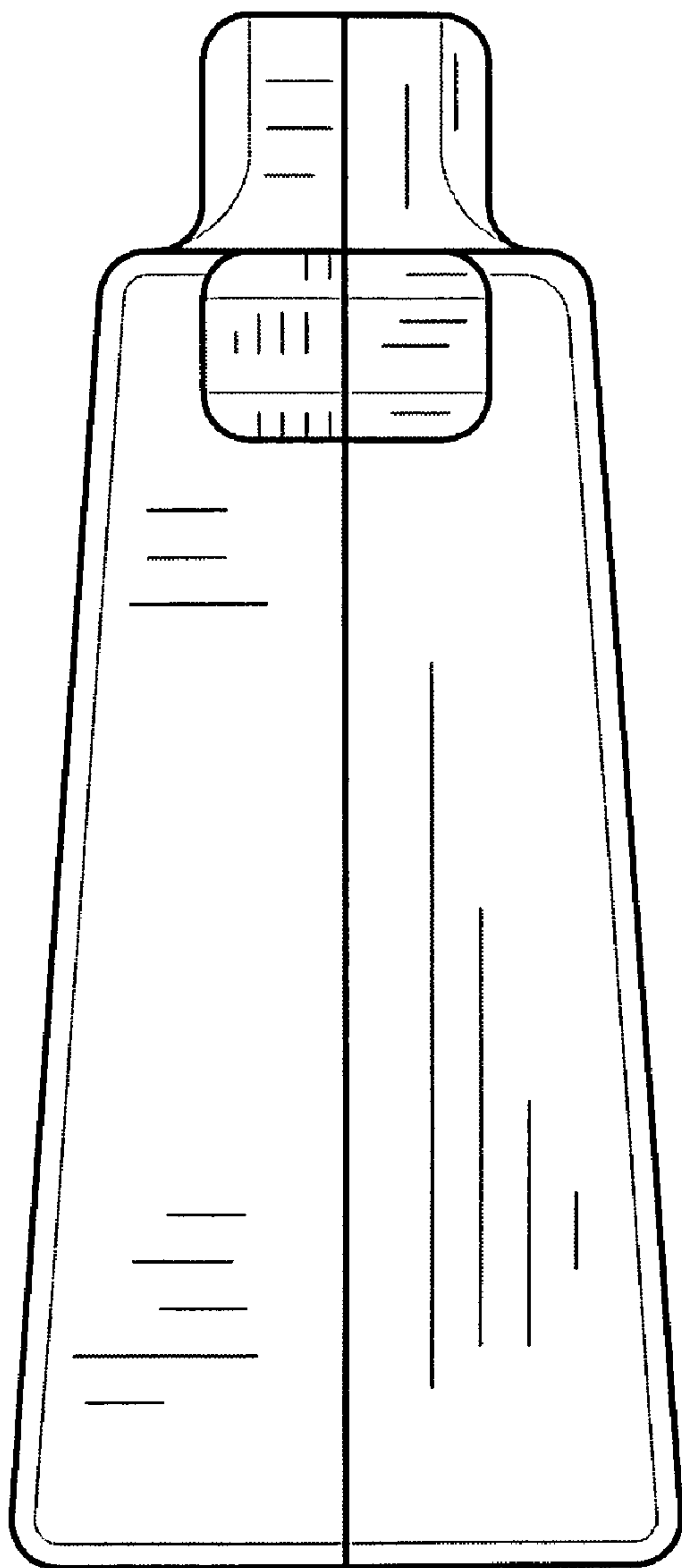


FIG. 3

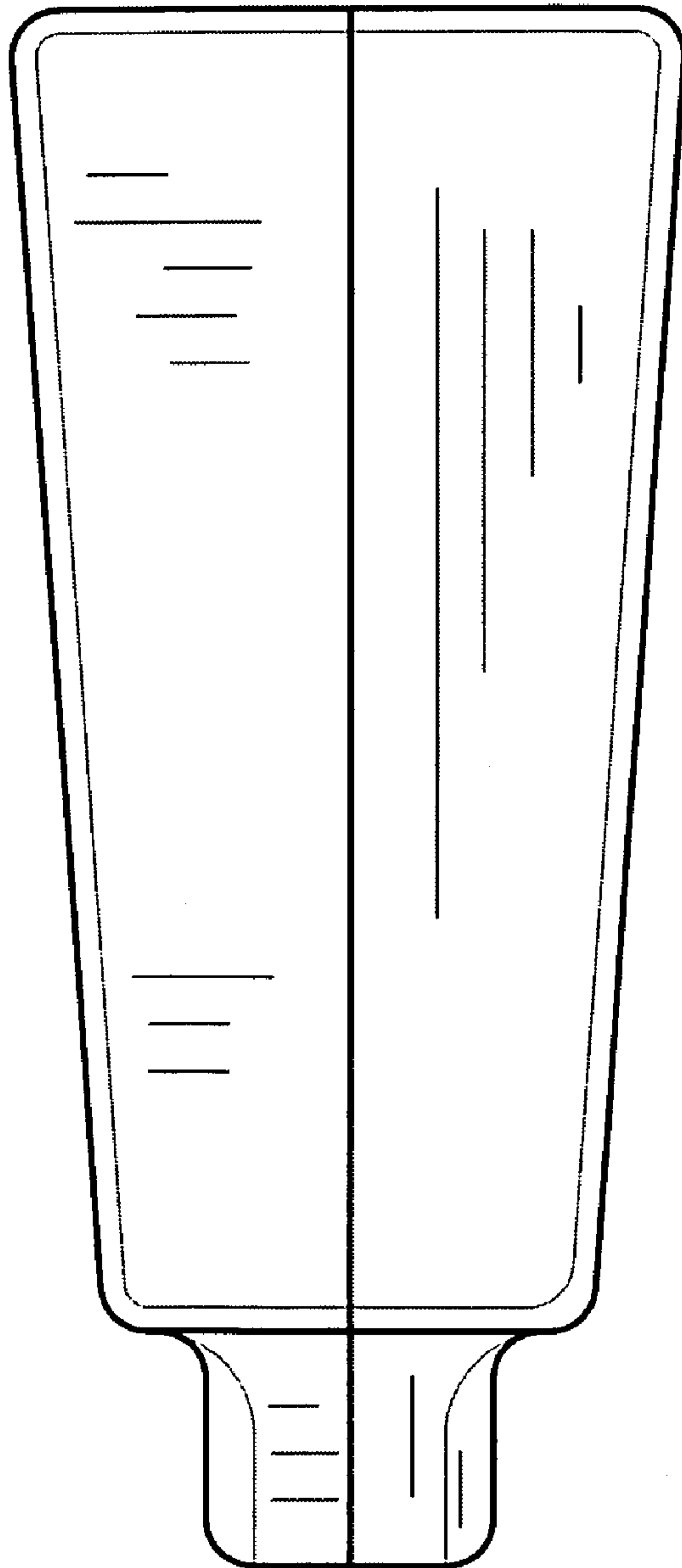


FIG. 4

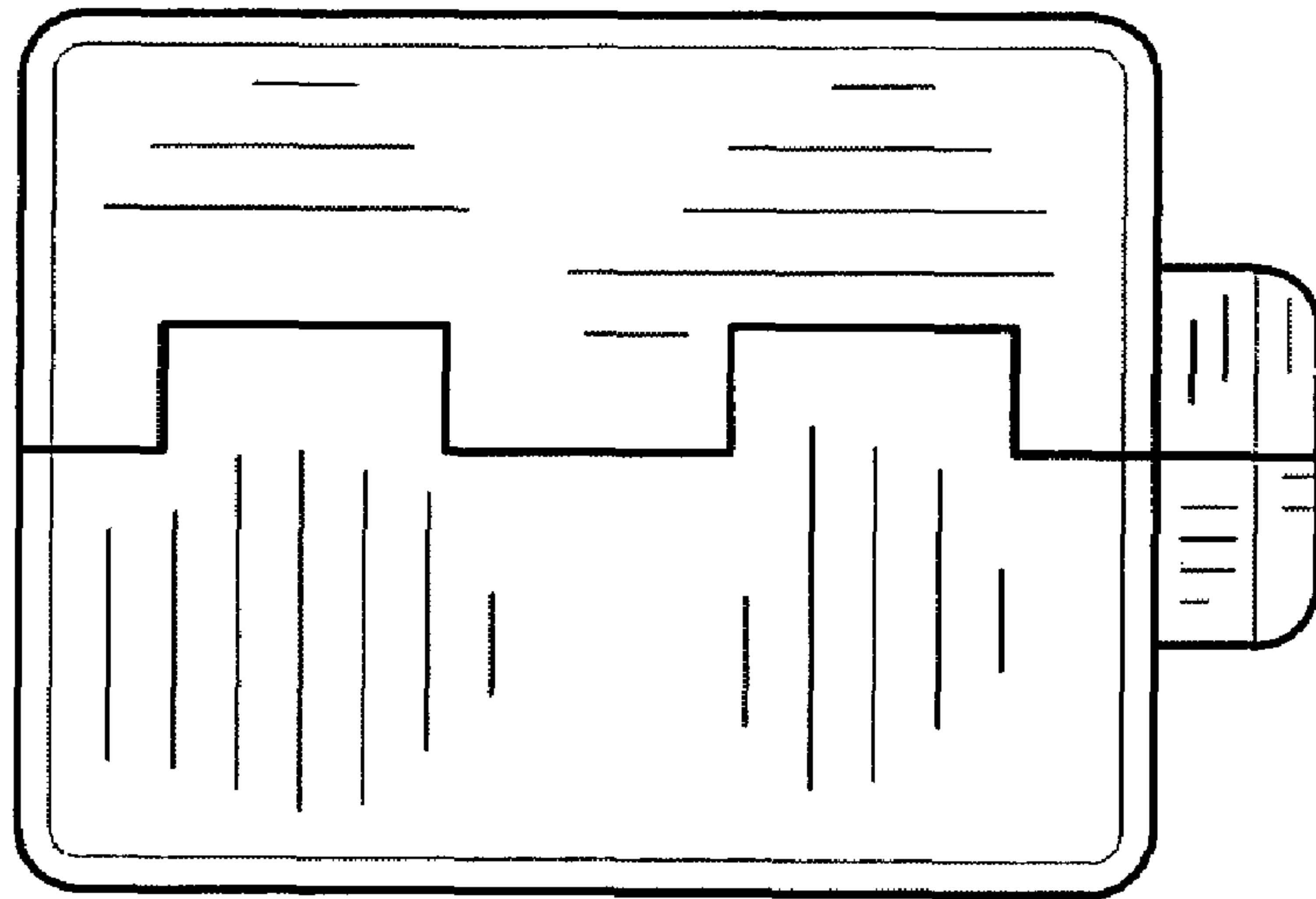


FIG. 5

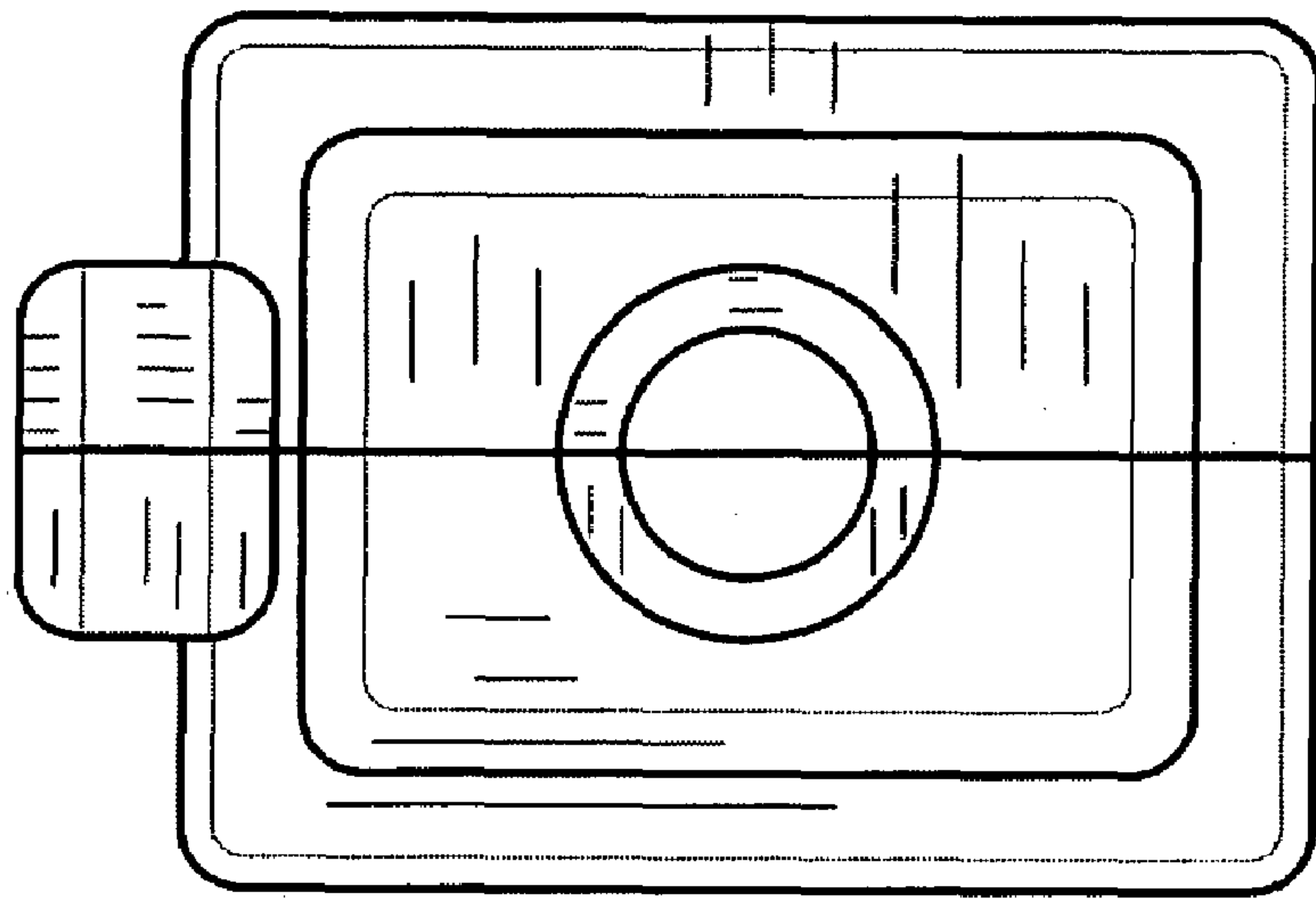


FIG. 6

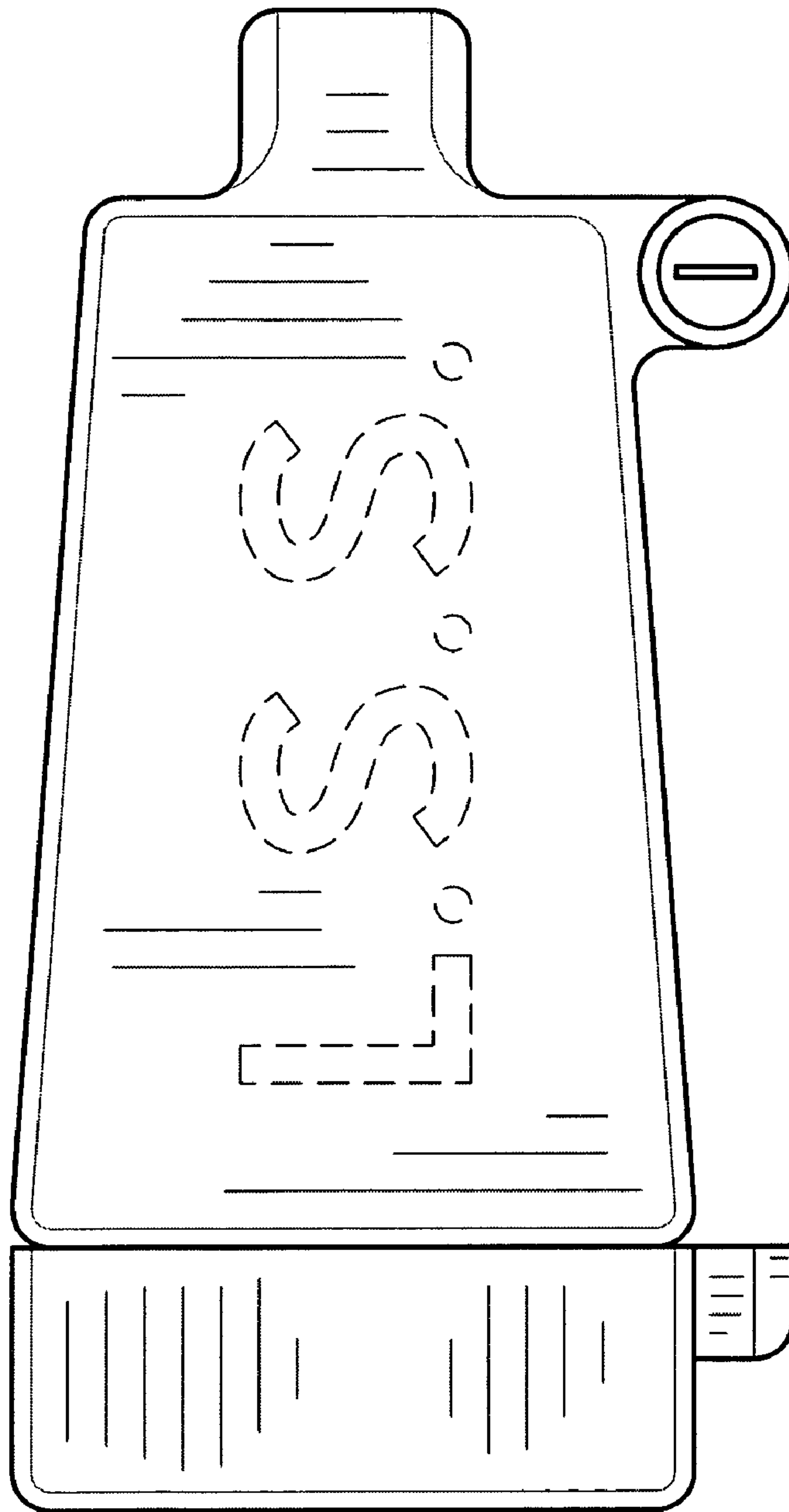


FIG. 7

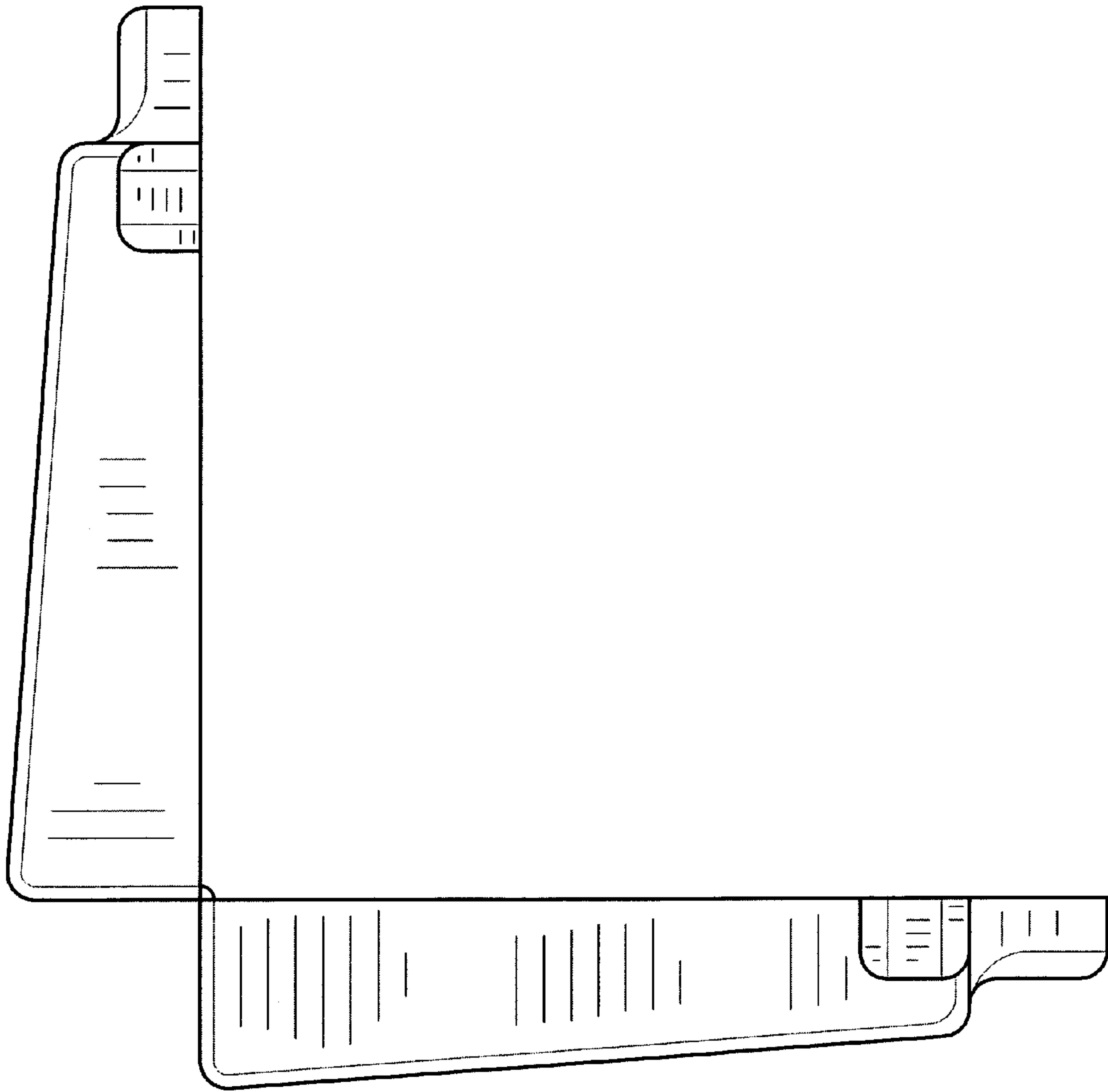


FIG. 8

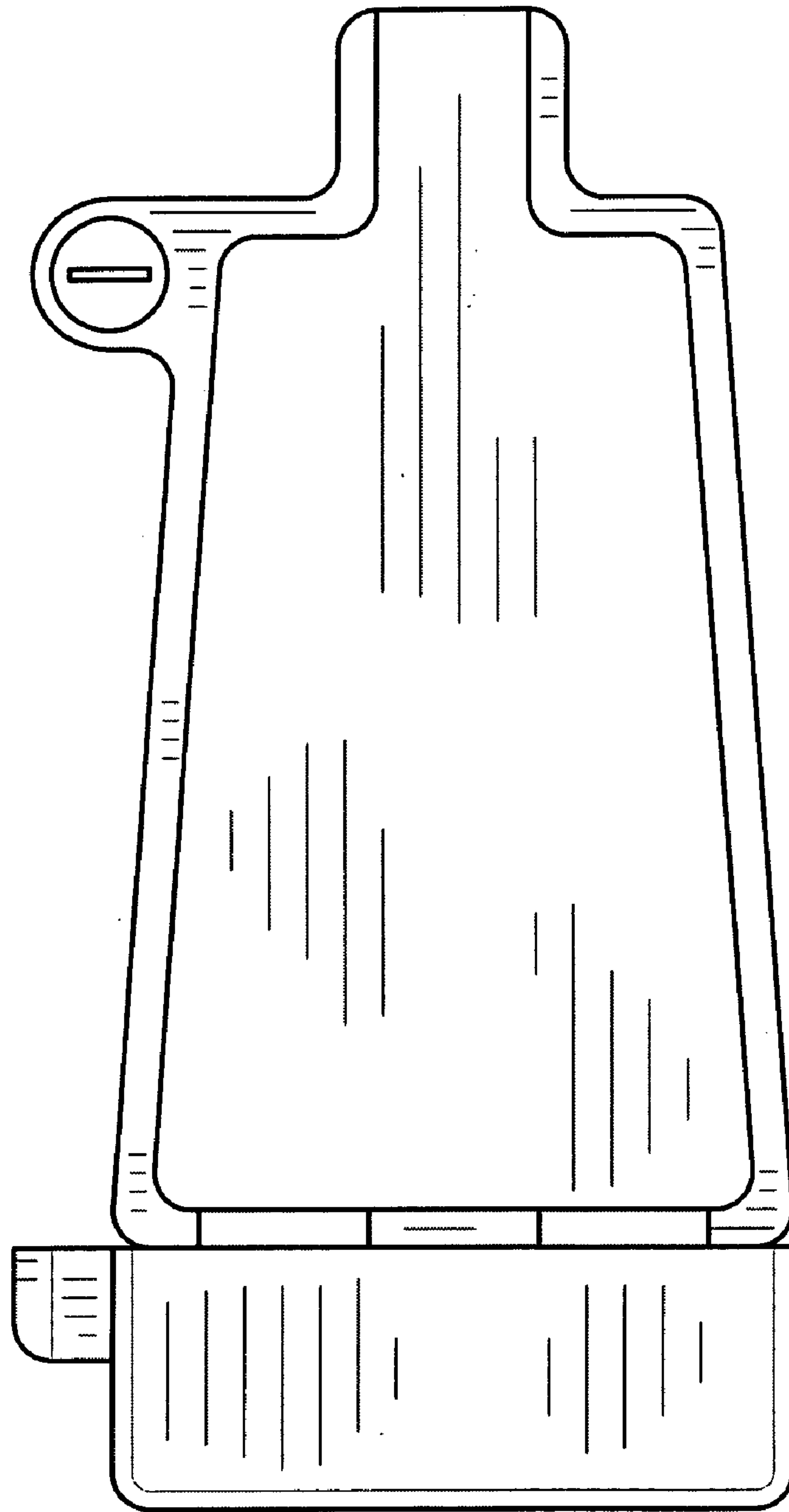


FIG. 9

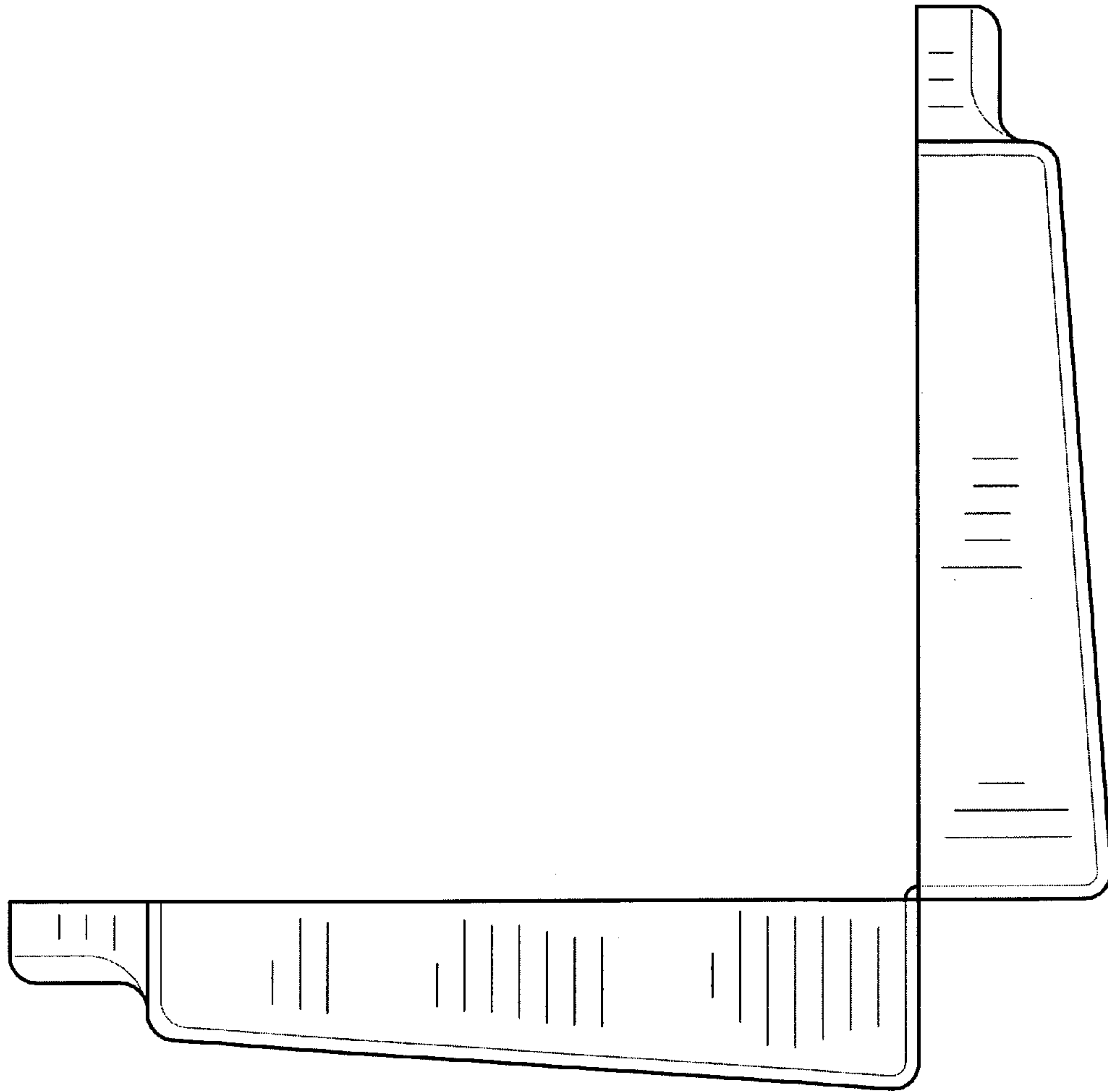


FIG. 10