



US00D573949S

(12) **United States Design Patent**
Taira et al.

(10) **Patent No.:** **US D573,949 S**
(45) **Date of Patent:** **** Jul. 29, 2008**

(54) **HOUSING OF CONNECTOR PLUG FOR OPTICAL FIBER**

(75) Inventors: **Junji Taira**, Chba (JP); **Yoshihiro Shogaki**, Kadoma (JP); **Yukihiro Yokomachi**, Osaka (JP)

(73) Assignees: **Seikoh Giken Co., Ltd.**, Chiba (JP); **Matsushita Electric Works Ltd.**, Osaka (JP); **Sumitomo Electric Industries, Ltd.**, Osaka (JP)

(**) Term: **14 Years**

(21) Appl. No.: **29/236,870**

(22) Filed: **Aug. 24, 2005**

(30) **Foreign Application Priority Data**

Jun. 7, 2005 (JP) 2005-016445

(51) **LOC (8) Cl.** **13-03**

(52) **U.S. Cl.** **D13/133**

(58) **Field of Classification Search** D13/133,
D13/154, 184, 199; 385/53-56, 70, 78, 75-76
See application file for complete search history.

(56) **References Cited**

U.S. PATENT DOCUMENTS

- D244,944 S * 7/1977 Hooper, Jr. D13/154
- 5,212,752 A * 5/1993 Stephenson et al. 385/78
- D351,587 S * 10/1994 Puchammer D13/133
- D399,830 S * 10/1998 Nagai et al. D13/158

- RE37,079 E * 3/2001 Stephenson et al. 385/78
- 6,402,392 B1 * 6/2002 Yarita et al. 385/84
- D464,318 S * 10/2002 Togashi D13/133
- D474,743 S * 5/2003 Cheng D13/133
- D543,146 S * 5/2007 Chen et al. D13/133

* cited by examiner

Primary Examiner—Daniel D Bui

(74) *Attorney, Agent, or Firm*—Jean C. Edwards, Esq.; Akerman Senterfitt

(57) **CLAIM**

The ornamental design for a housing of connector plug for optical fiber, as shown and described.

DESCRIPTION

FIG. 1 is a perspective view of the top, front and left side of a housing of connector plug for optical fiber showing our new design;

FIG. 2 is a front view thereof;

FIG. 3 is a rear view thereof;

FIG. 4 is a left side view thereof;

FIG. 5 is a right side view thereof;

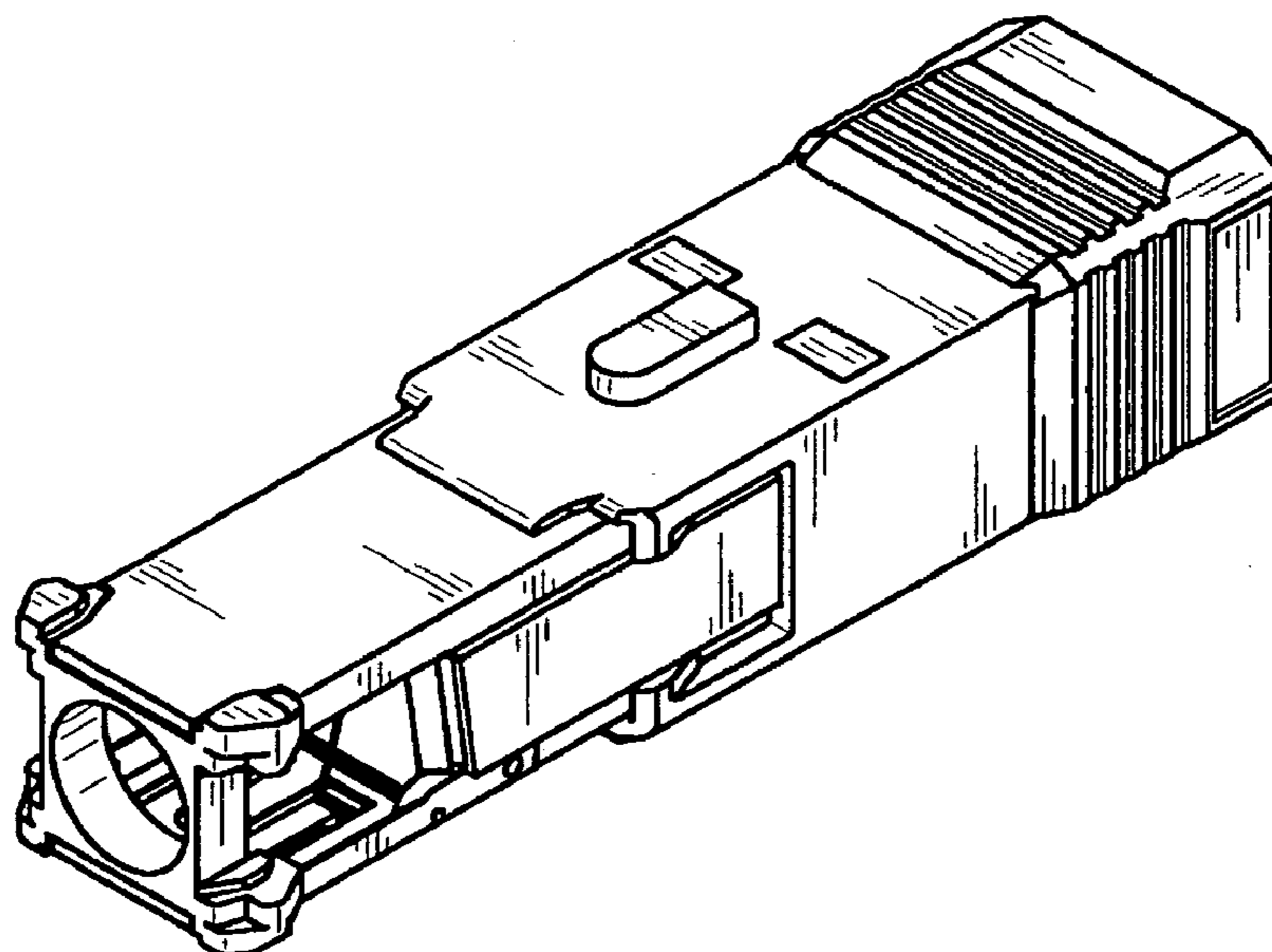
FIG. 6 is a top plan view thereof;

FIG. 7 is a bottom view thereof; and,

FIG. 8 is a perspective view thereof with the shutter being closed.

The broken lines are for illustrative purposes only and form no part of the claimed design.

1 Claim, 4 Drawing Sheets



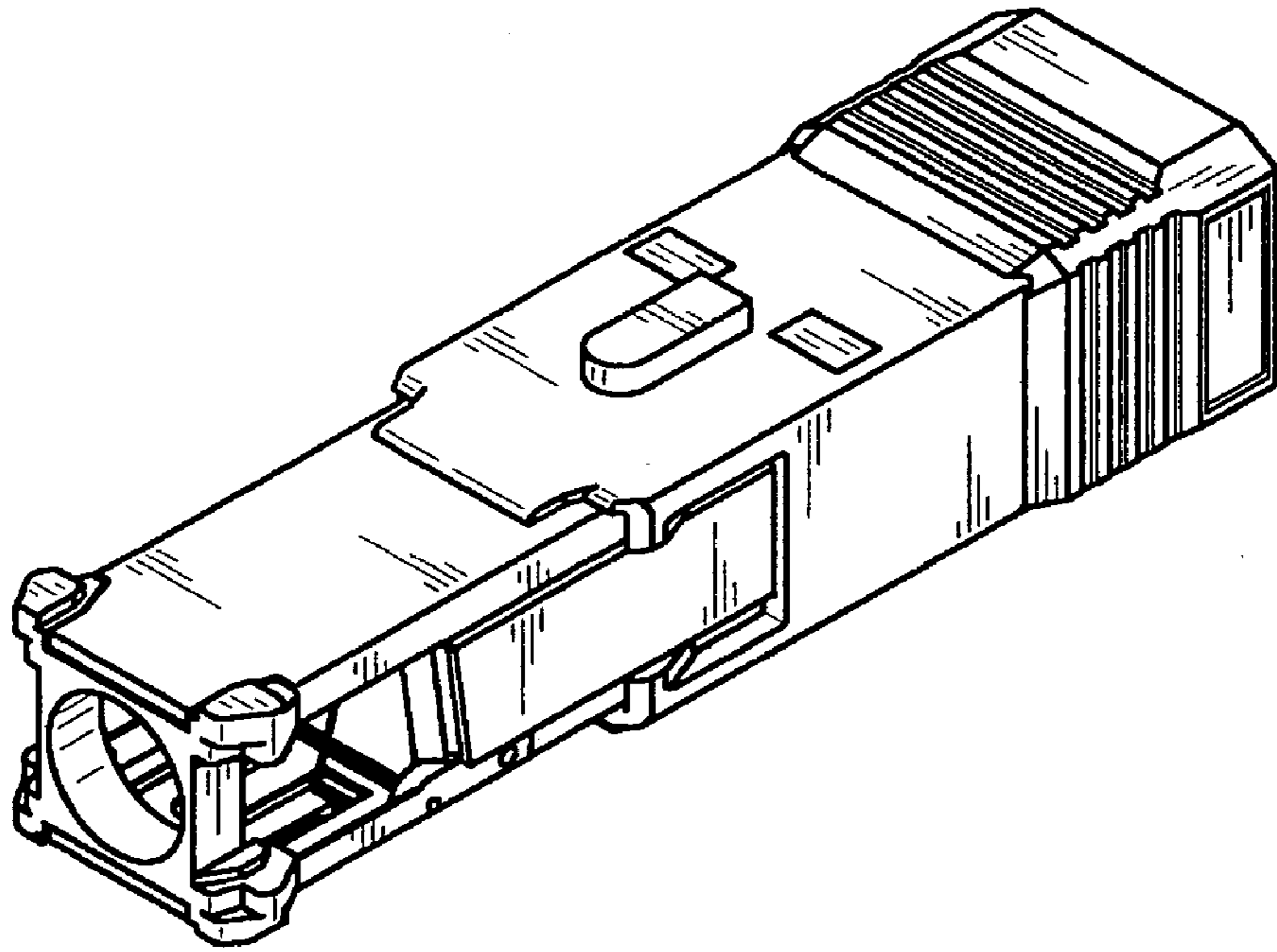


FIG. 1

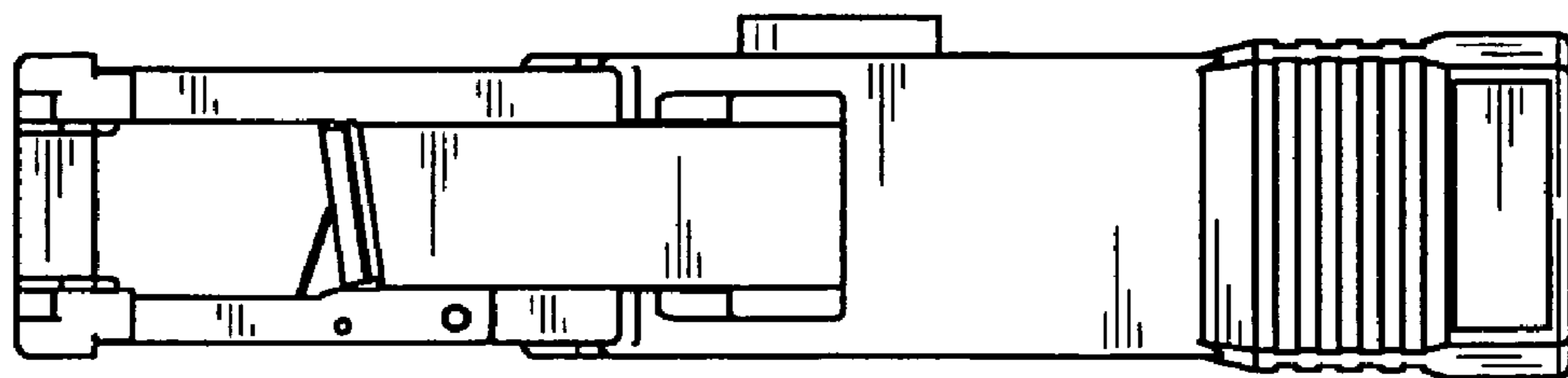


FIG. 2

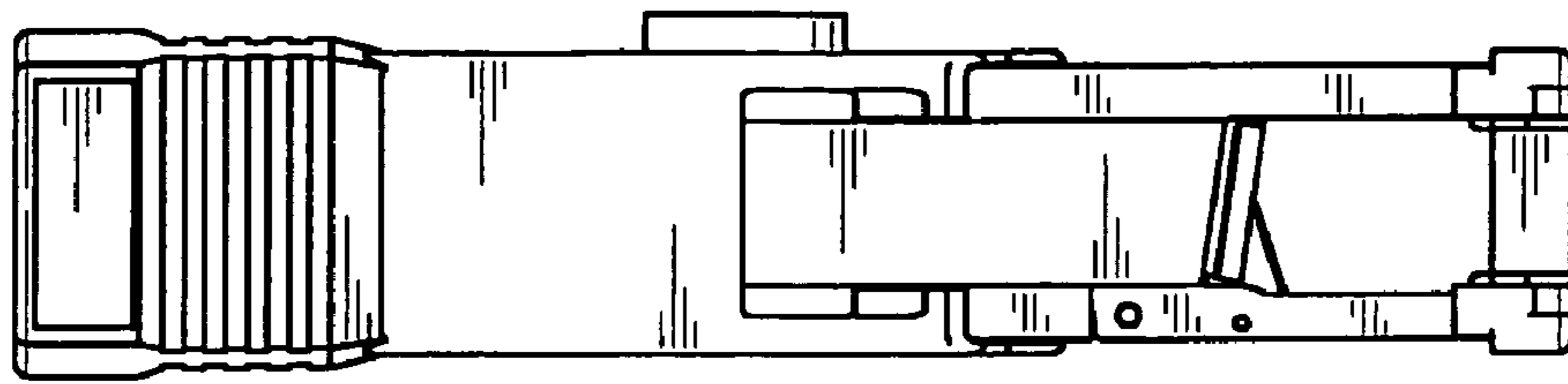


FIG. 3

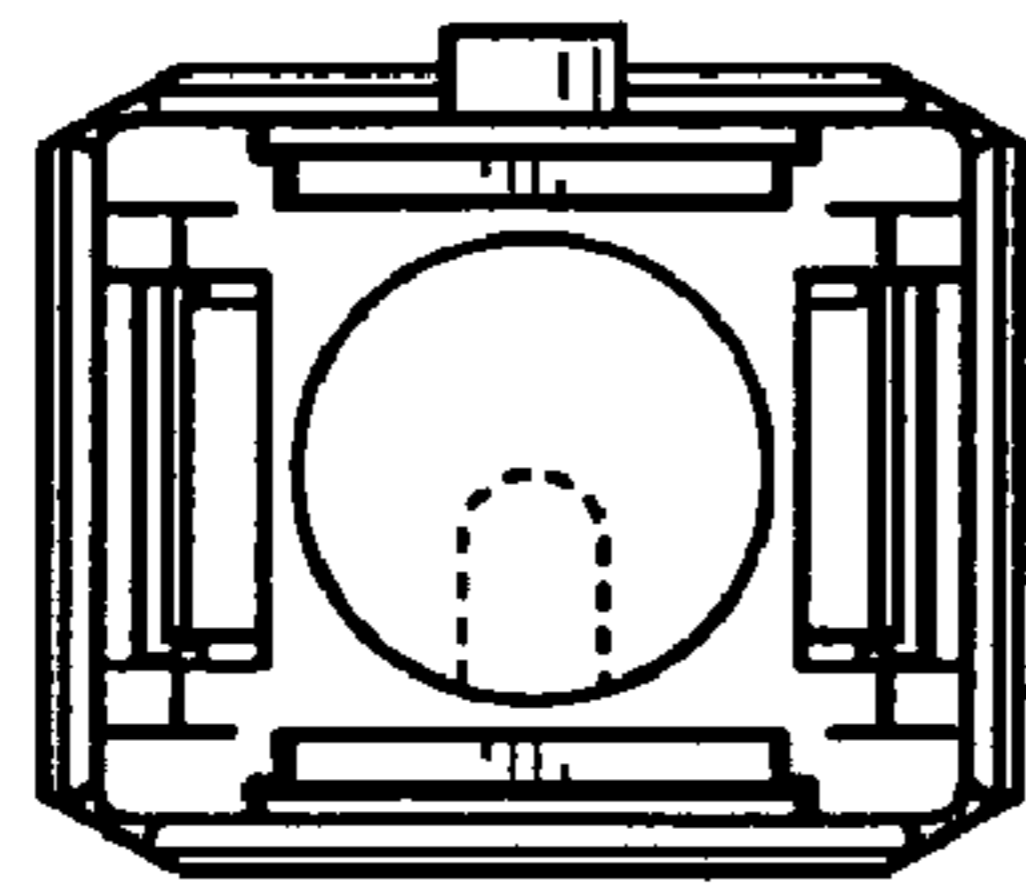


FIG. 4

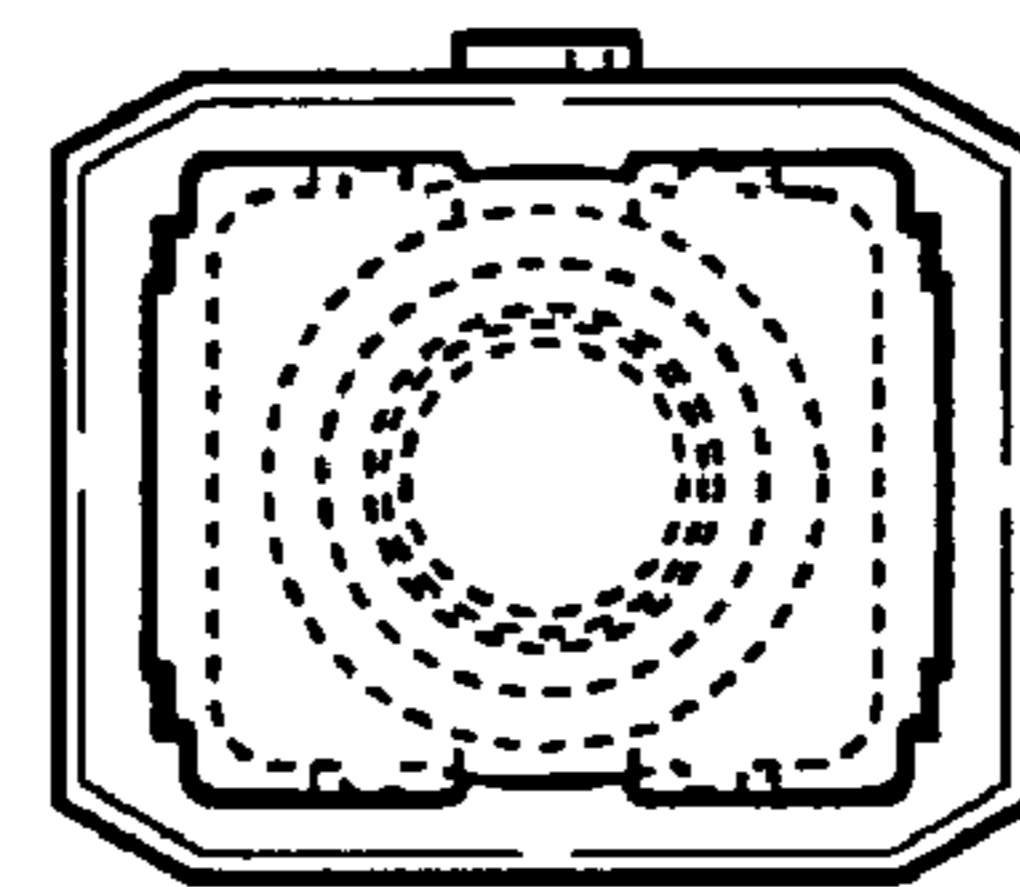


FIG. 5

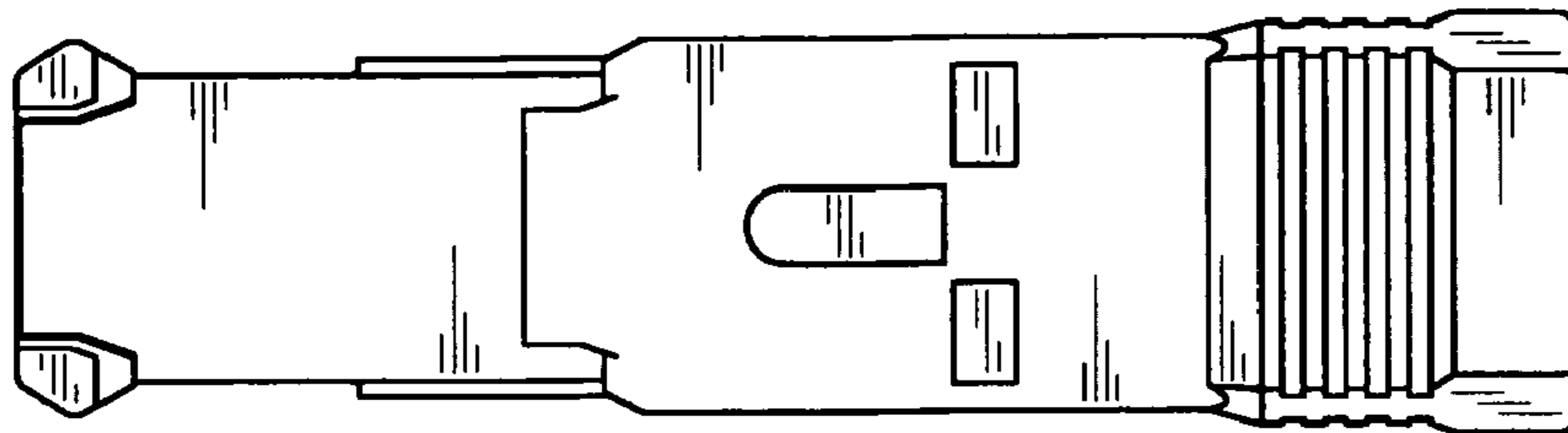


FIG. 6

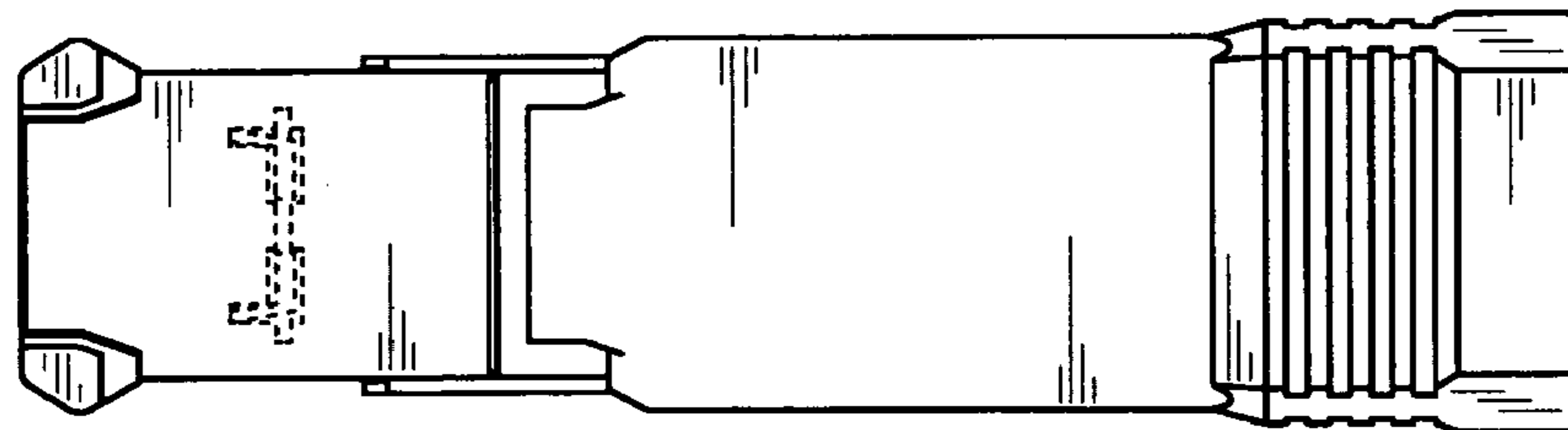


FIG. 7

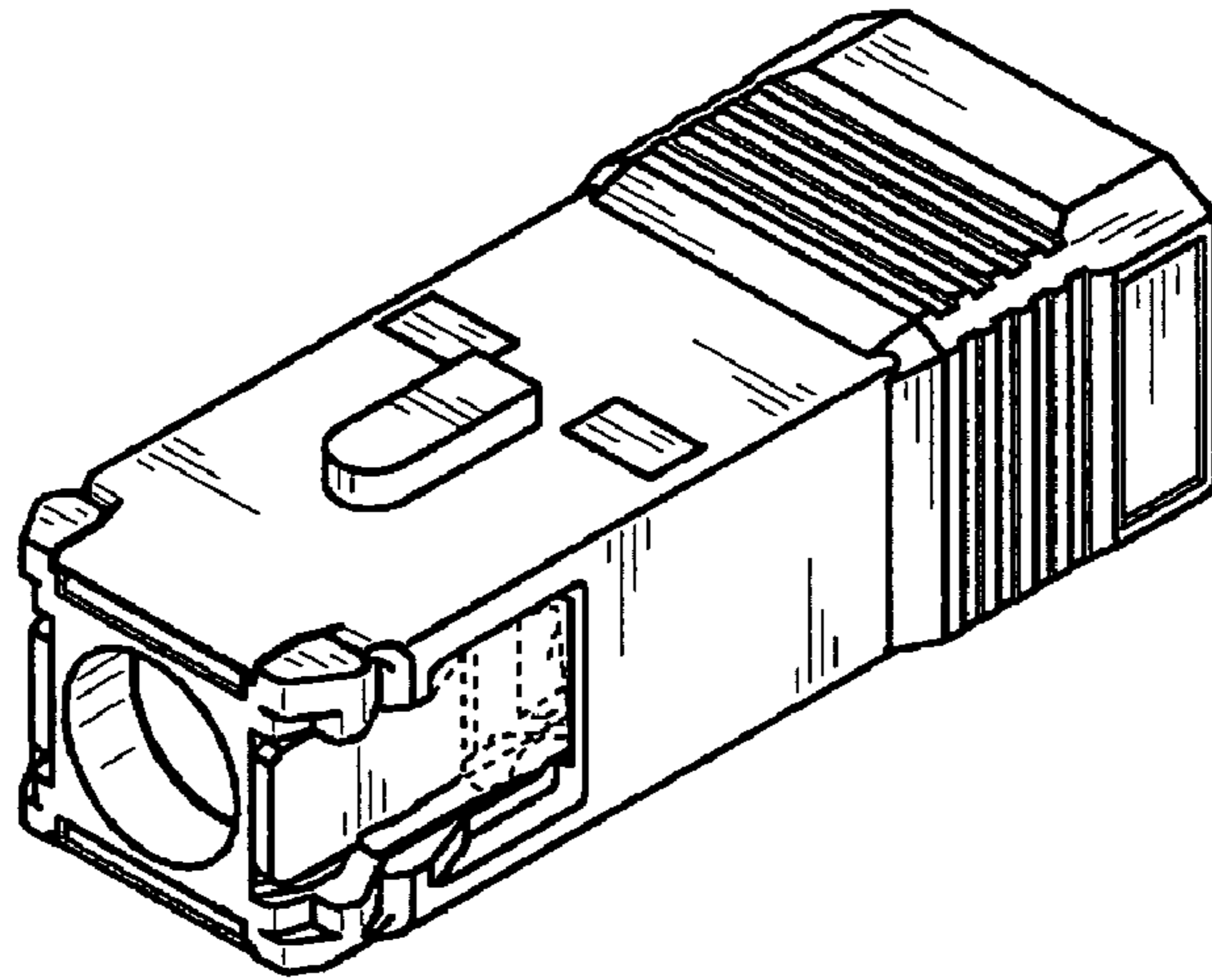


FIG. 8