

US00D573947S

(12) **United States Design Patent**
Kishimoto et al.

(10) **Patent No.:** **US D573,947 S**

(45) **Date of Patent:** **** Jul. 29, 2008**

(54) **CURRENT COLLECTING LEAD**

(75) Inventors: **Tomonori Kishimoto**, Kyoto (JP);
Satoshi Yokota, Kyoto (JP); **Takahiro**
Itagaki, Kyoto (JP); **Takehito**
Matsubara, Kyoto (JP); **Kazuya**
Okabe, Kyoto (JP); **Shuichi Izuchi**,
Kyoto (JP)

(73) Assignee: **GS Yuasa Corporation**, Minami-ku,
Kyoto (JP)

(**) Term: **14 Years**

(21) Appl. No.: **29/257,496**

(22) Filed: **Apr. 5, 2006**

(30) **Foreign Application Priority Data**

Oct. 5, 2005 (JP) 2005-029046

(51) **LOC (8) Cl.** **13-03**

(52) **U.S. Cl.** **D13/119**

(58) **Field of Classification Search** D13/118-121,
D13/133, 146-147, 154, 182, 184, 199; 439/83,
439/108, 166, 500, 577, 630, 660, 680, 700,
439/773.1, 862

See application file for complete search history.

(56) **References Cited**

U.S. PATENT DOCUMENTS

D213,963 S * 4/1969 Dinkel D13/154
D214,379 S * 6/1969 Wolf et al. D13/119
D251,781 S * 5/1979 Hutton D13/133

D365,084 S * 12/1995 Suski et al. D13/154
D372,461 S * 8/1996 Kenney D13/154
D449,282 S * 10/2001 Kramer D13/199
D481,684 S * 11/2003 Bomar D13/154
D490,773 S * 6/2004 Nakamaru D13/119
D495,999 S * 9/2004 Lewis D13/154
D499,383 S * 12/2004 Bomar D13/154
D507,541 S * 7/2005 Bomar D13/154
D521,455 S * 5/2006 Radza D13/154
D522,452 S * 6/2006 Sugimoto D13/119
D522,965 S * 6/2006 Nakamaru D13/119
D524,756 S * 7/2006 Radza D13/154
D525,207 S * 7/2006 Kister et al. D13/154
D541,217 S * 4/2007 Tang et al. D13/118
D550,621 S * 9/2007 Vuorio et al. D13/118

* cited by examiner

Primary Examiner—Cathron Brooks

Assistant Examiner—Rosemary K Tarcza

(74) *Attorney, Agent, or Firm*—Osha Liang LLP

(57) **CLAIM**

The ornamental design for a current collecting lead, as shown and described.

DESCRIPTION

FIG. 1 shows a top perspective view of the design.

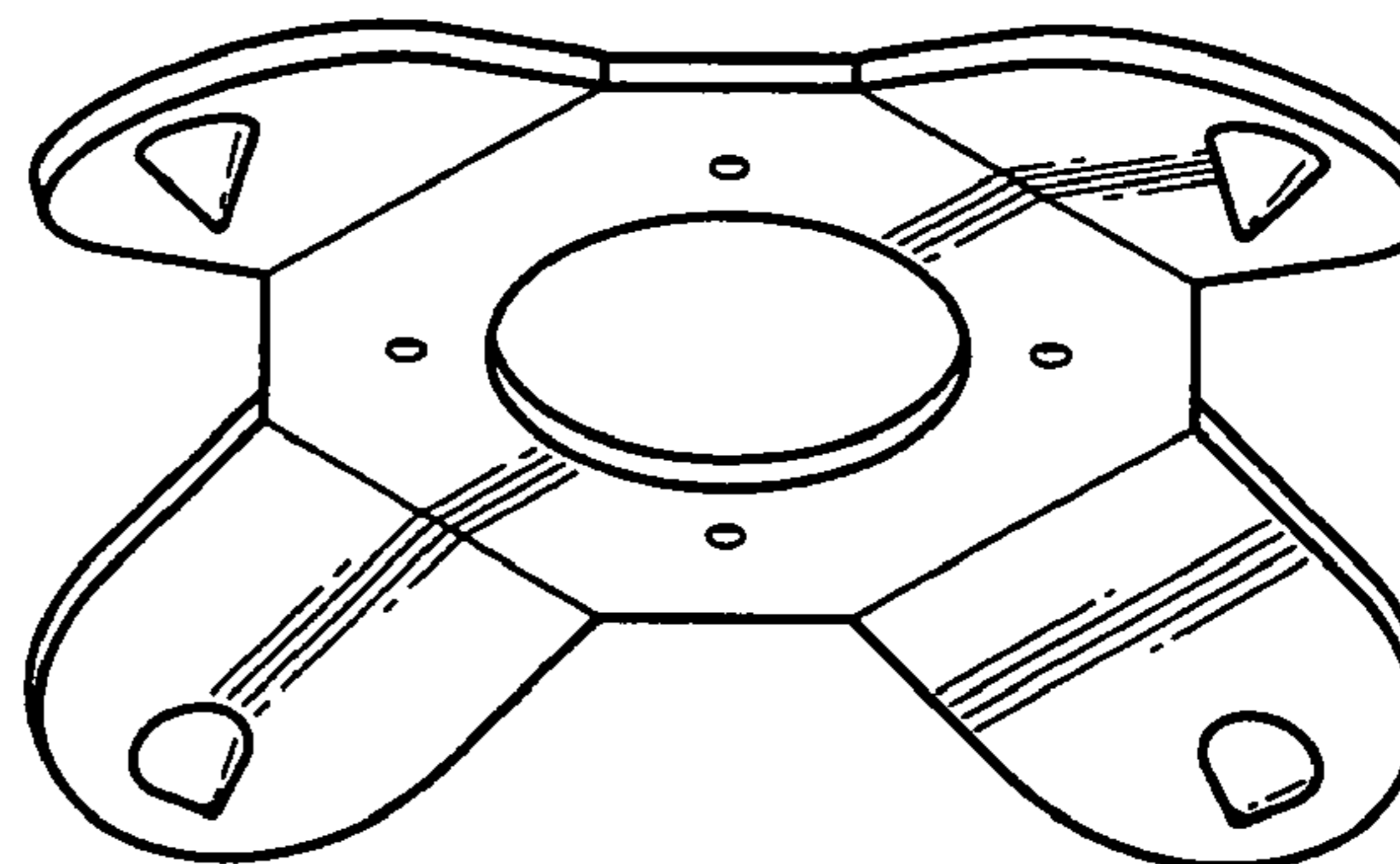
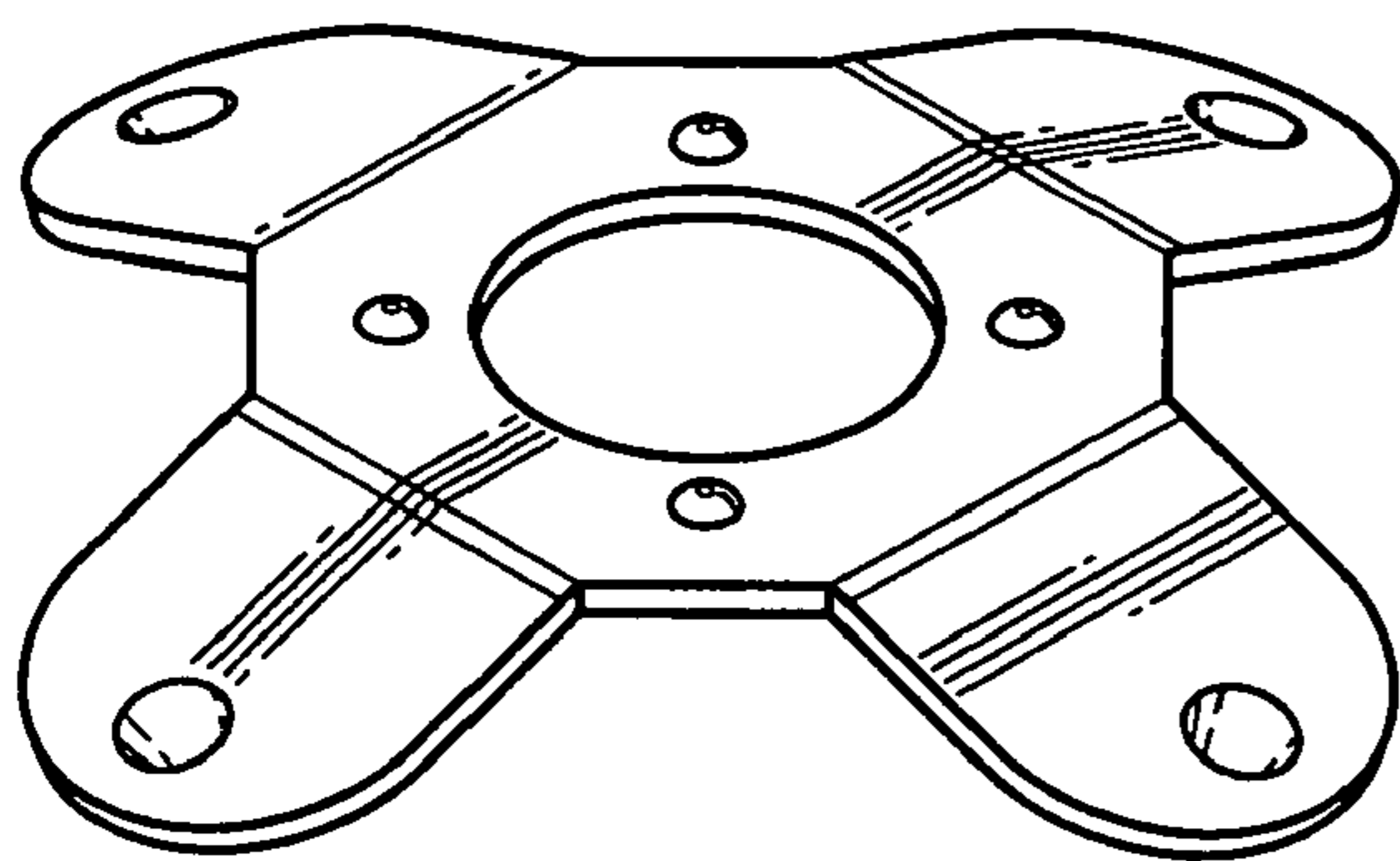
FIG. 2 shows a bottom perspective view of the design.

FIG. 3 shows a side view of the design.

FIG. 4 shows a top view of the design; and,

FIG. 5 shows a bottom view of the design.

1 Claim, 3 Drawing Sheets



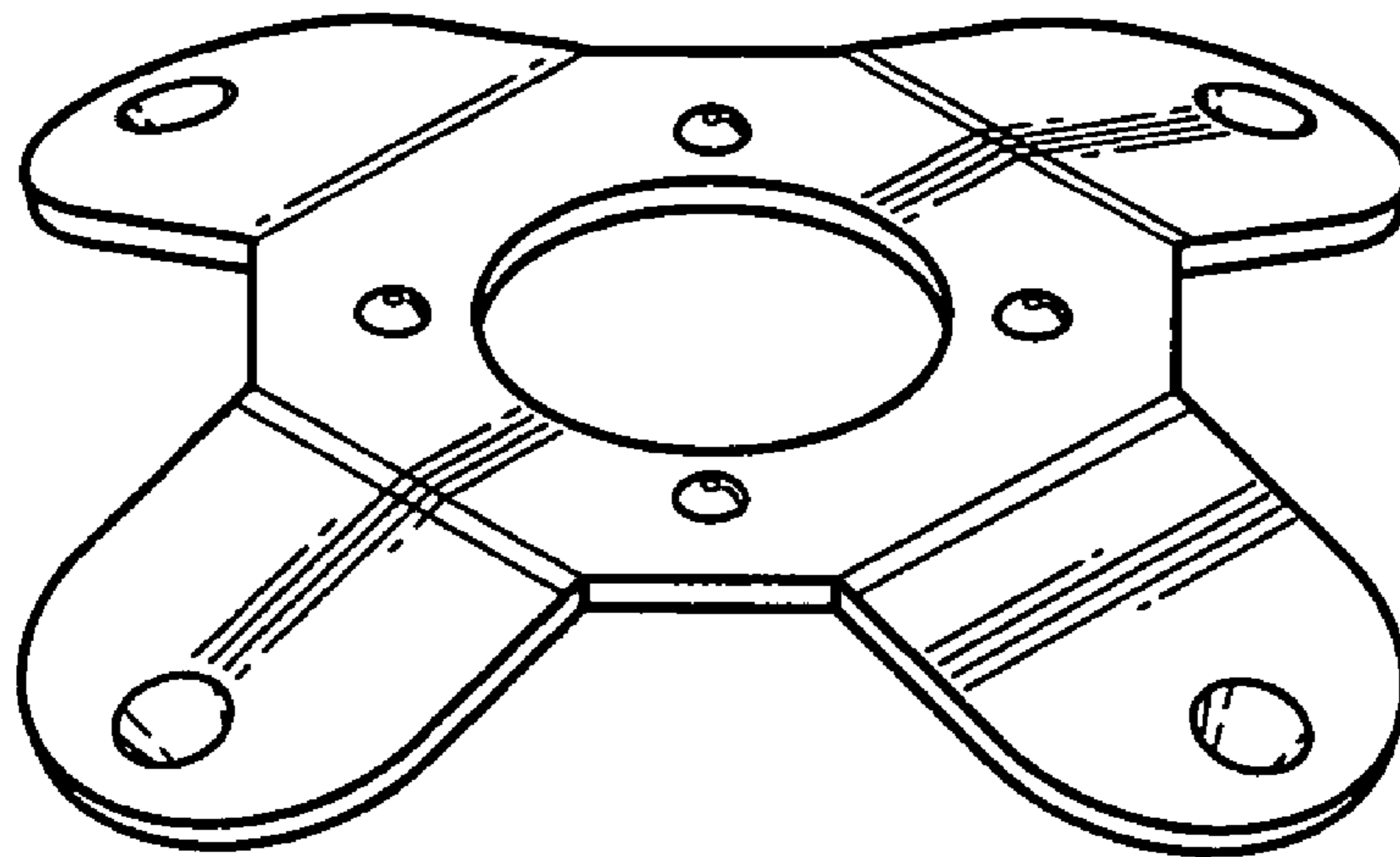


FIG. 1

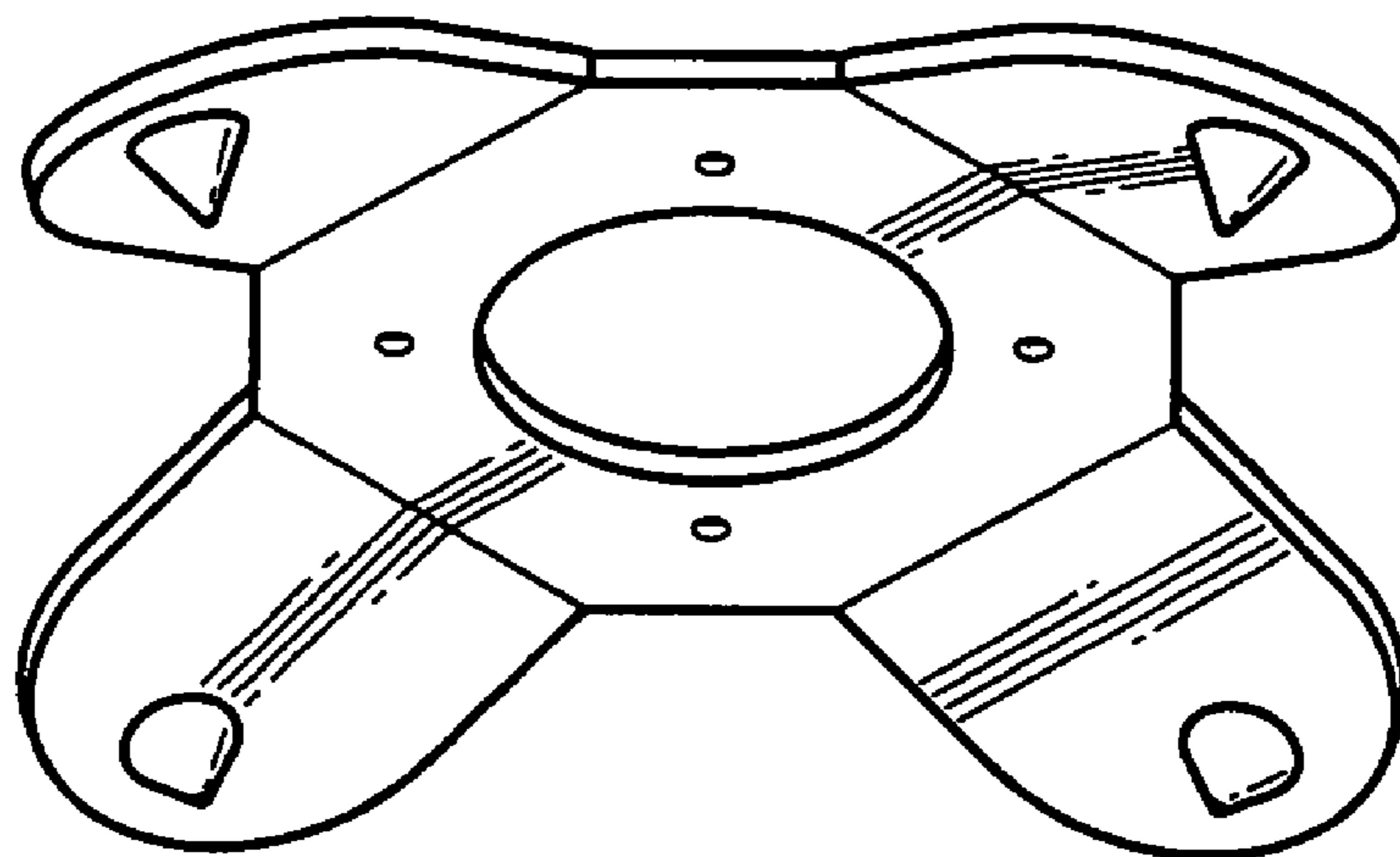


FIG. 2

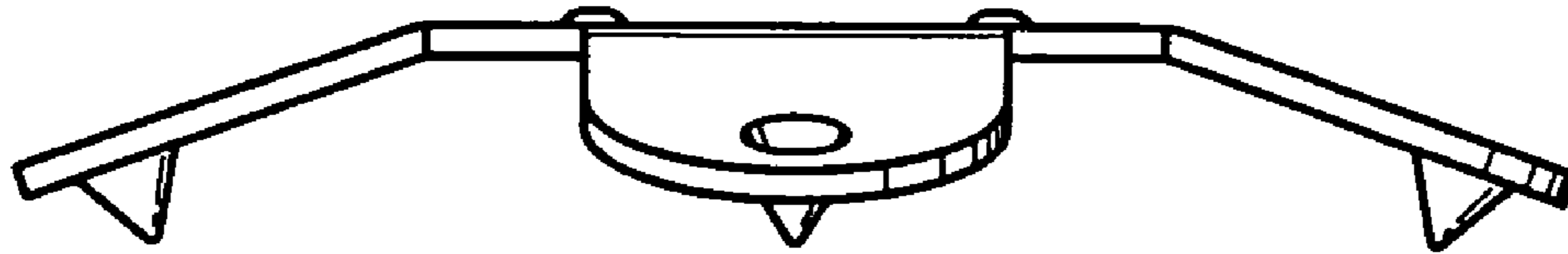


FIG. 3

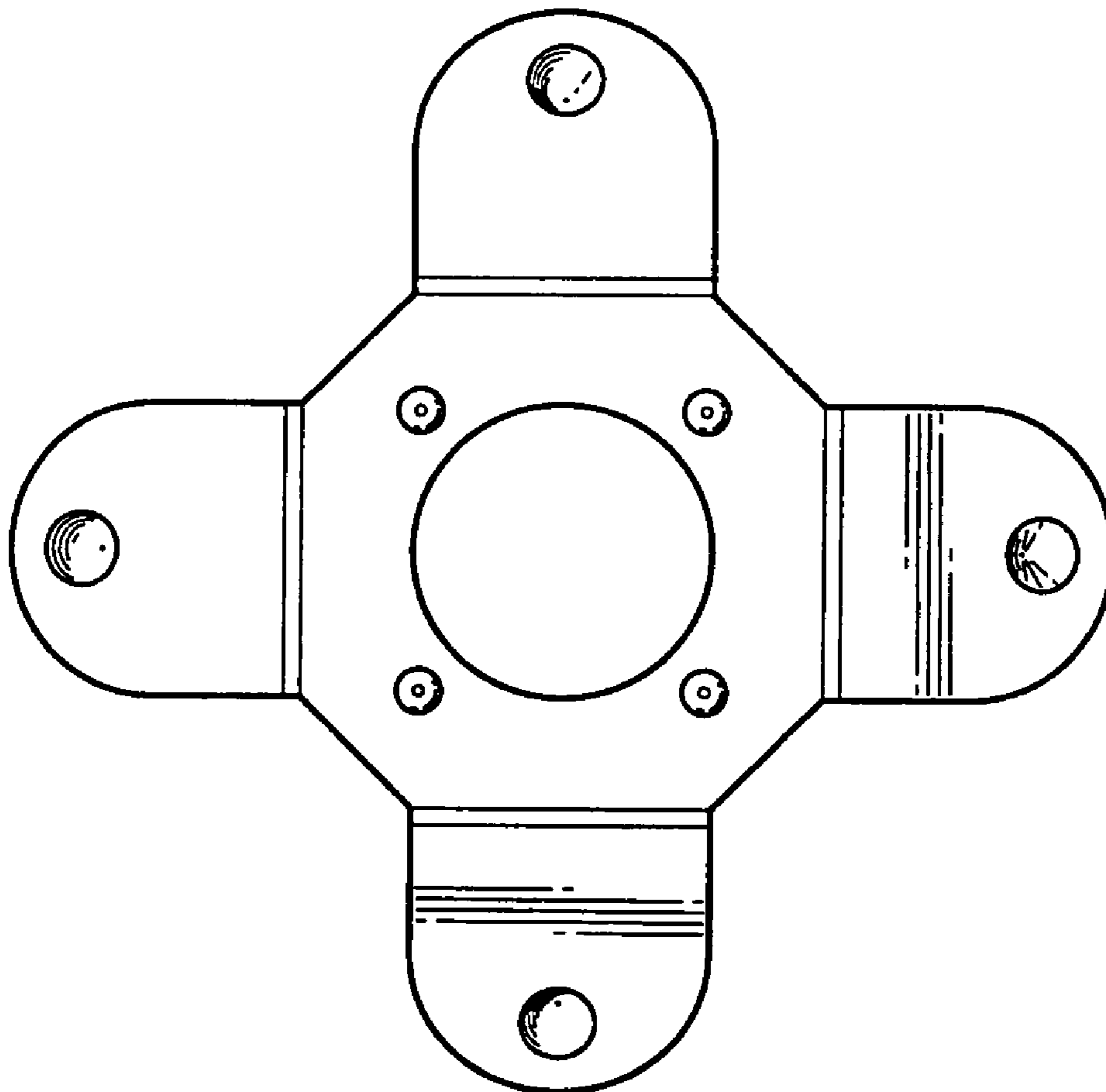


FIG. 4

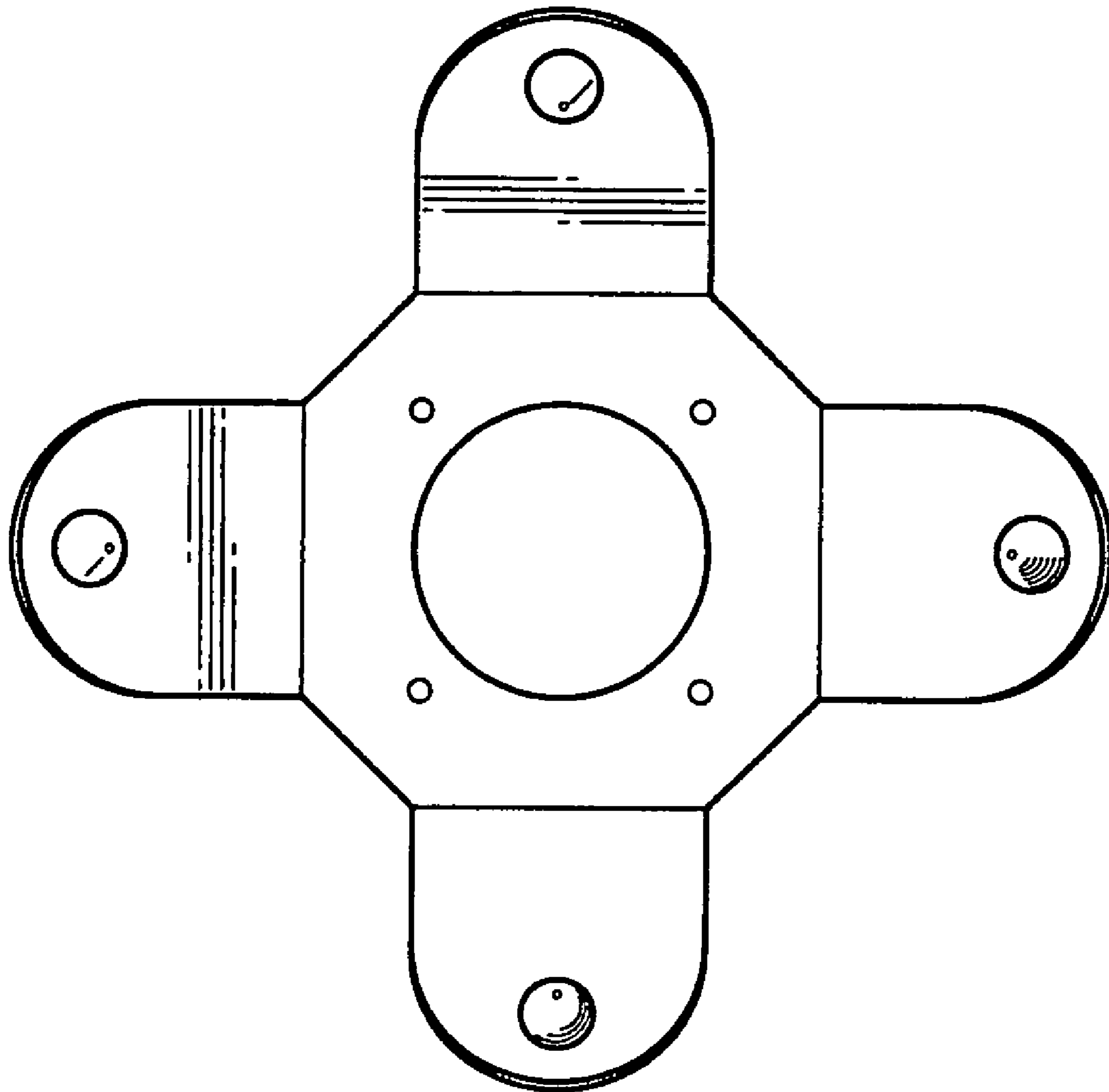


FIG. 5