



US00D573946S

(12) **United States Design Patent**
Ledbetter et al.

(10) **Patent No.:** **US D573,946 S**
(45) **Date of Patent:** **** Jul. 29, 2008**

(54) **ADAPTER**

JP D1236335 4/2005
JP D1098112 5/2008

(75) Inventors: **Carl J. Ledbetter**, Mercer Island, WA (US); **John Ikeda**, Seattle, WA (US); **Jonathan Reed Harris**, Redmond, WA (US); **Anthony Reed**, Seattle, WA (US); **Peter Newbury**, Seattle, WA (US); **Michael Baseflug**, Duball, WA (US)

OTHER PUBLICATIONS

Taiwanese Search Report for Design Application No. 096300605, completed Aug. 7, 2007.

* cited by examiner

Primary Examiner—Prabhakar Deshmukh

Assistant Examiner—Derrick Holland

(74) *Attorney, Agent, or Firm*—Banner & Witcoff, Ltd.

(73) Assignee: **Microsoft Corporation**, Redmond, WA (US)

(**) Term: **14 Years**

(57) **CLAIM**

(21) Appl. No.: **29/283,844**

The ornamental design for an adapter, as shown and described.

(22) Filed: **Aug. 24, 2007**

DESCRIPTION

(51) **LOC (8) Cl.** **13-02**

(52) **U.S. Cl.** **D13/110**

(58) **Field of Classification Search** D13/110,
D13/107, 108, 118, 123, 133, 137.1, 184,
D13/199; 174/53, 54, 57, 59, 61; 307/150,
307/151; 320/111, 114; 363/15, 16, 146;
439/105, 166, 171–173, 218, 518, 692, 956
See application file for complete search history.

FIG. 1 is a left perspective view of an adapter showing our new design in an open state;
FIG. 2 is a right side view thereof;
FIG. 3 is a left side view thereof;
FIG. 4 is a rear view thereof;
FIG. 5 is a front view thereof;
FIG. 6 is a top view thereof; and
FIG. 7 is a bottom view thereof;
FIG. 8 is a left perspective view of an adapter showing our new design in a closed state;
FIG. 9 is a right side view thereof;
FIG. 10 is a left side view thereof;
FIG. 11 is a rear view thereof;
FIG. 12 is a front view thereof;
FIG. 13 is a top view thereof; and,
FIG. 14 is a bottom view thereof.

(56) **References Cited**

U.S. PATENT DOCUMENTS

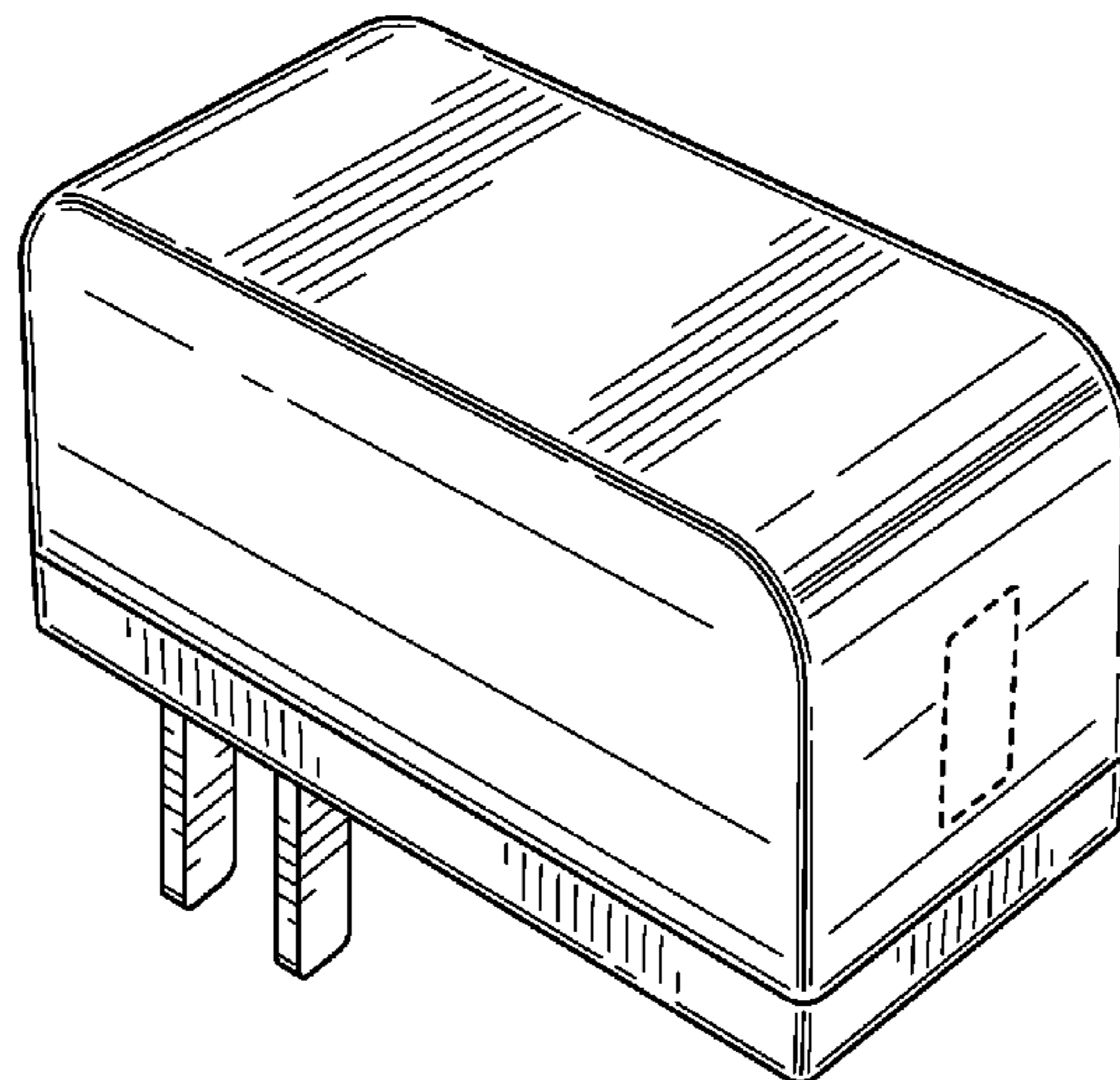
D347,617 S * 6/1994 Tattari D13/107
5,648,712 A * 7/1997 Hahn 320/111
D383,115 S * 9/1997 Nagele et al. D13/110
6,086,395 A * 7/2000 Lloyd et al. 439/172
D432,497 S * 10/2000 Totsuka et al. D13/110
D452,842 S * 1/2002 Kajiwara et al. D13/110
D478,310 S * 8/2003 Andre et al. D13/110
D481,674 S * 11/2003 Sade et al. D13/108
D492,250 S * 6/2004 Alviar et al. D13/110
D503,679 S * 4/2005 Andre et al. D13/110
D519,922 S * 5/2006 Andre et al. D13/110

FOREIGN PATENT DOCUMENTS

JP D1093356 12/2000

The broken lines showing are for illustrative purposes and form no part of the claimed design.

1 Claim, 8 Drawing Sheets



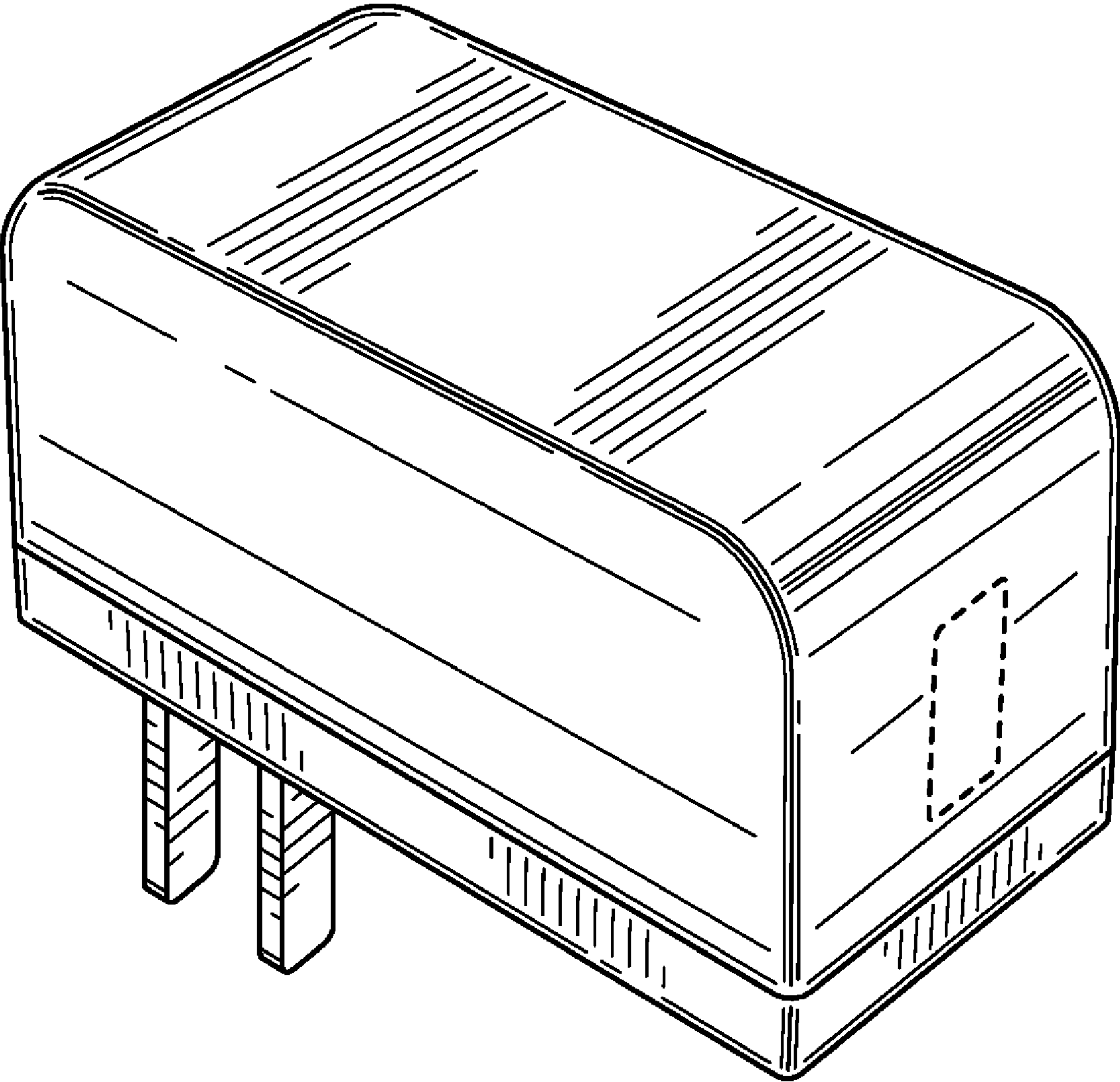


FIG. 1

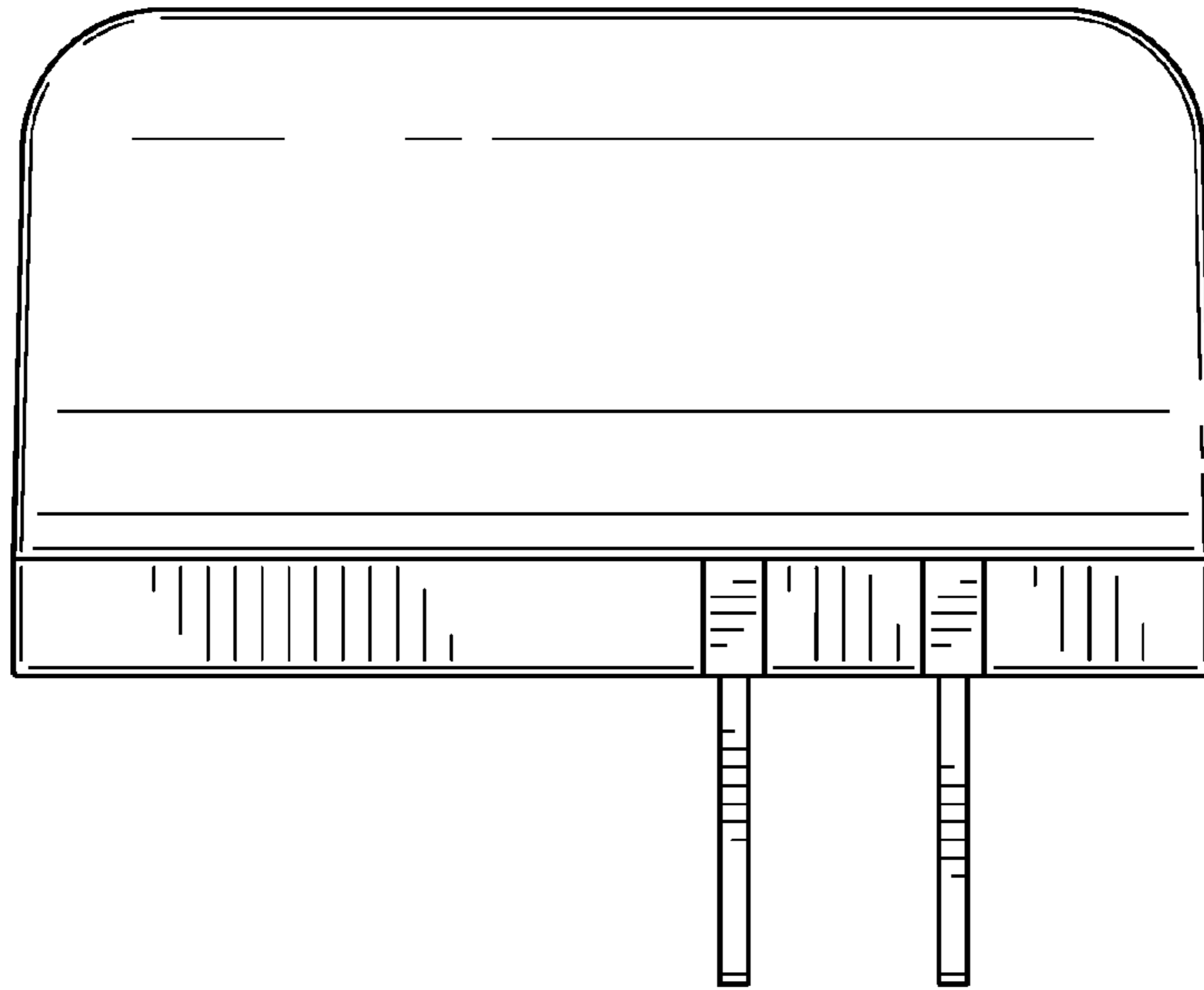


FIG. 2

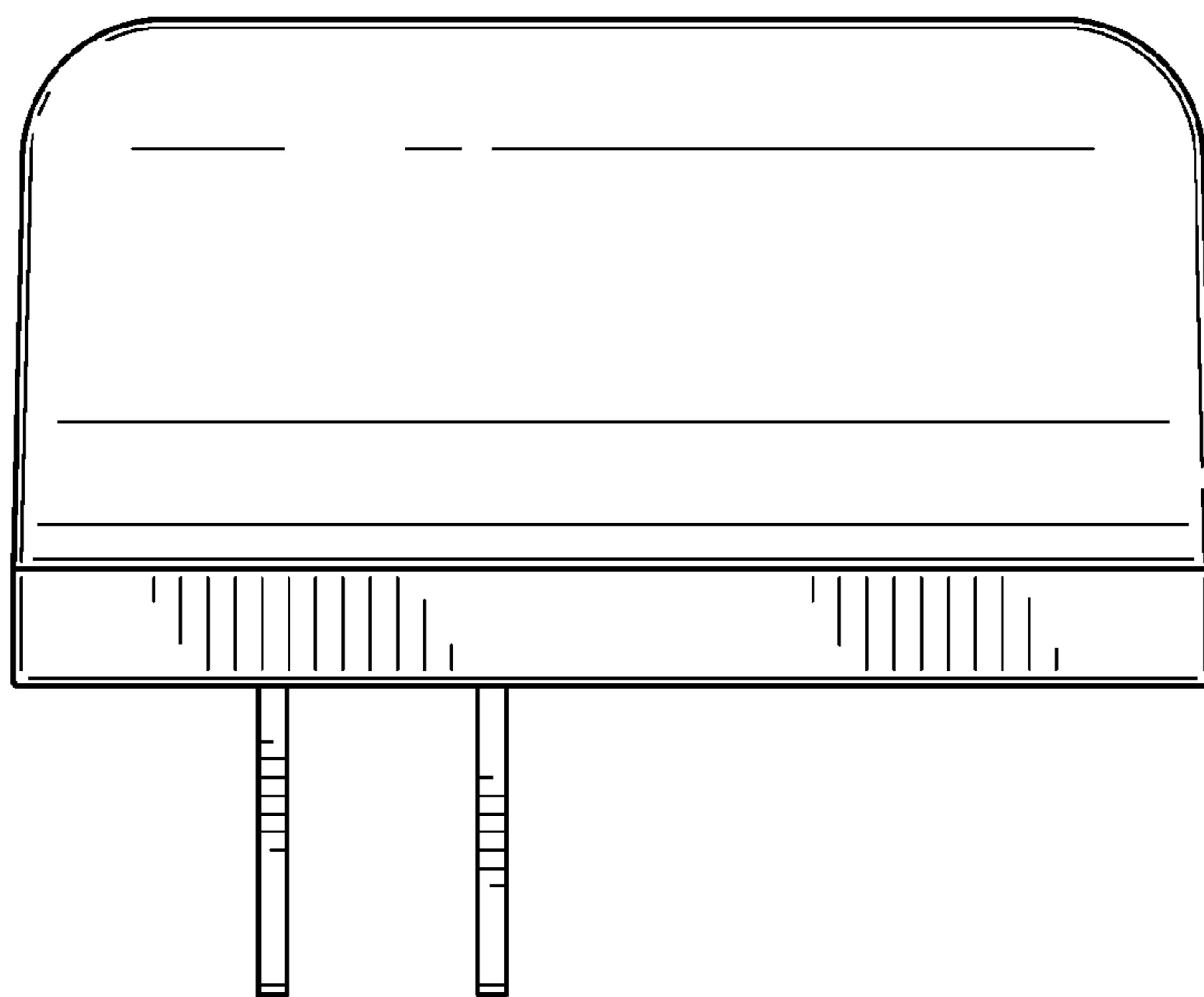


FIG. 3

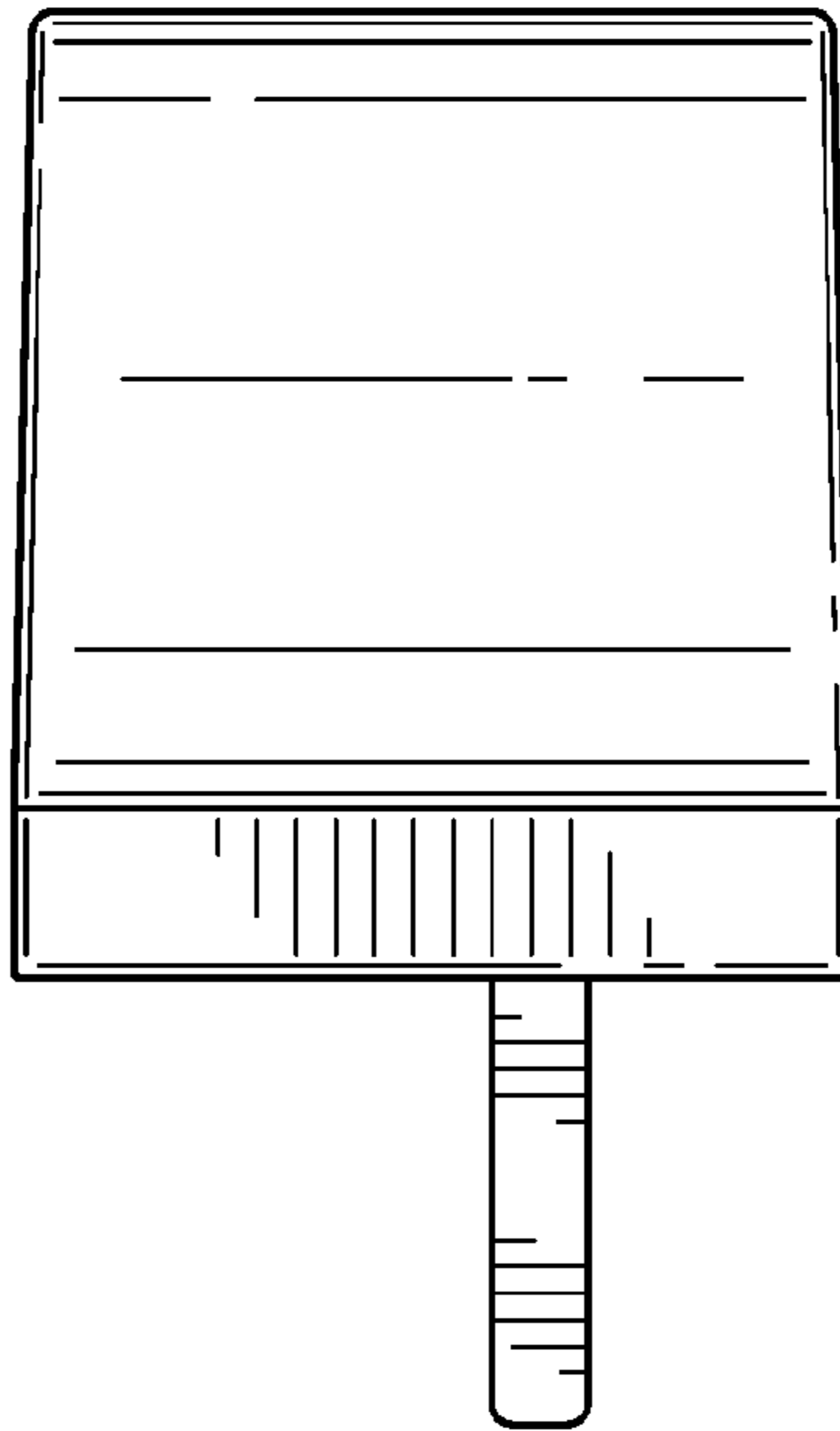


FIG. 4

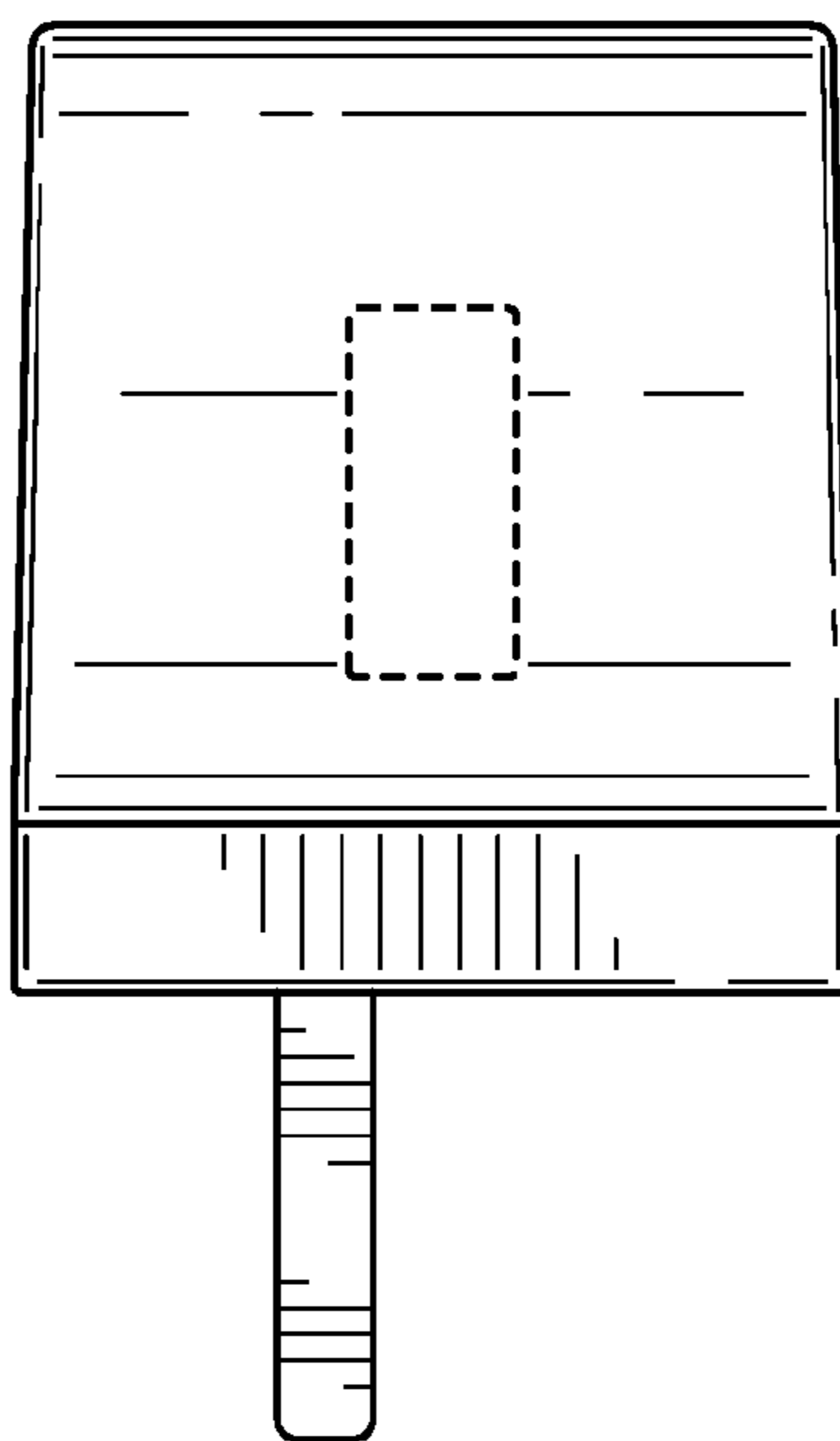


FIG. 5

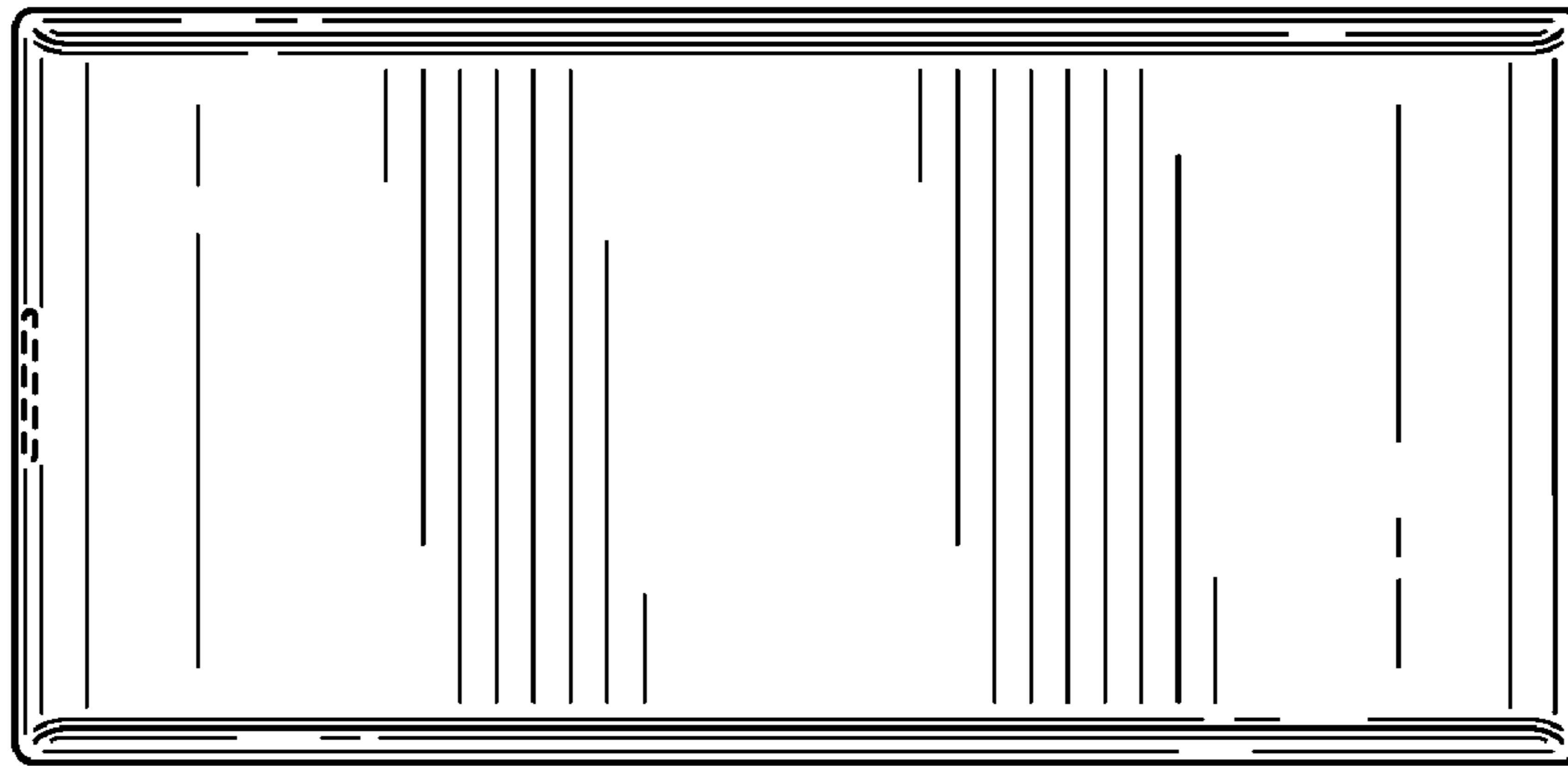


FIG. 6

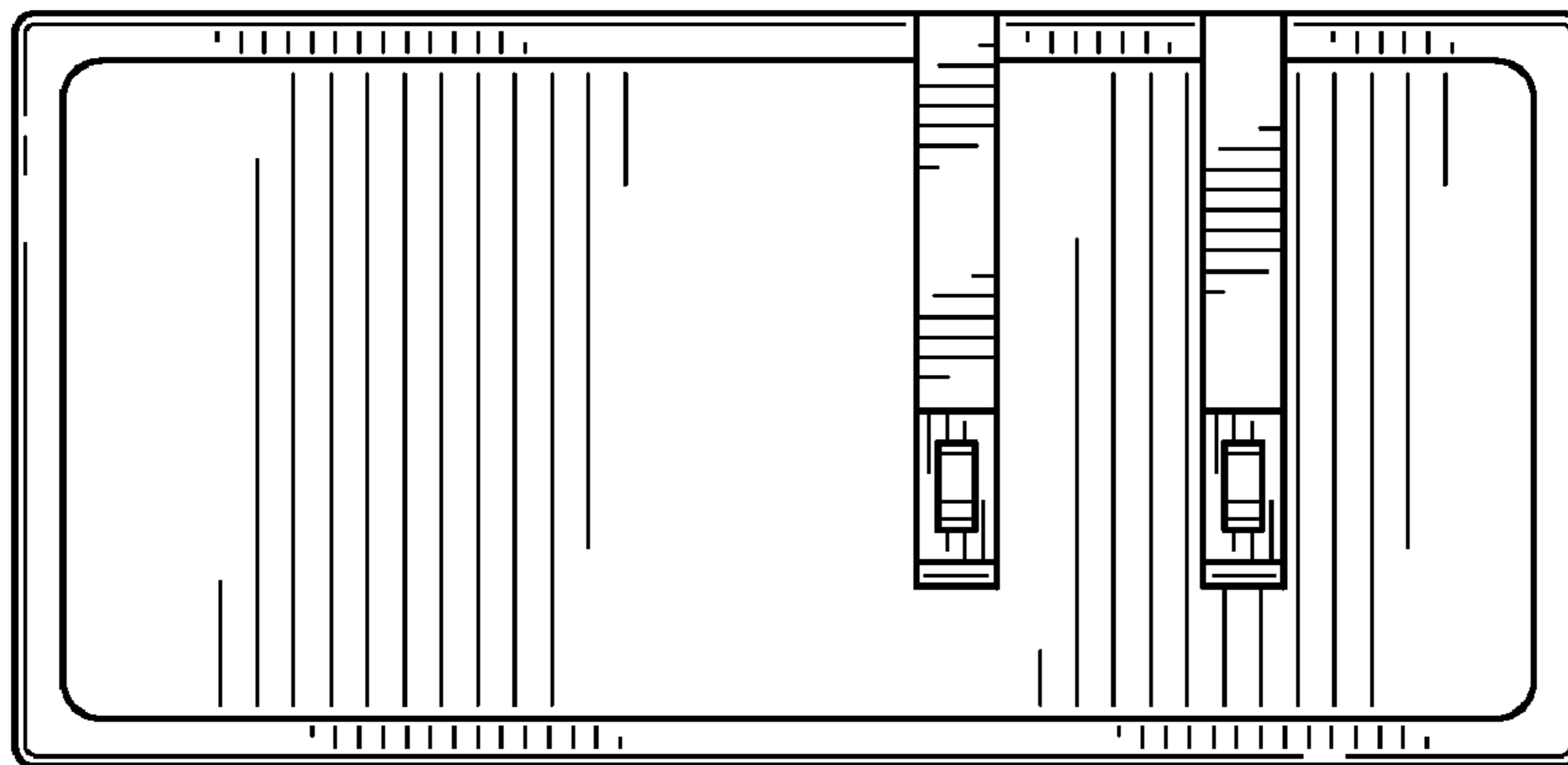


FIG. 7

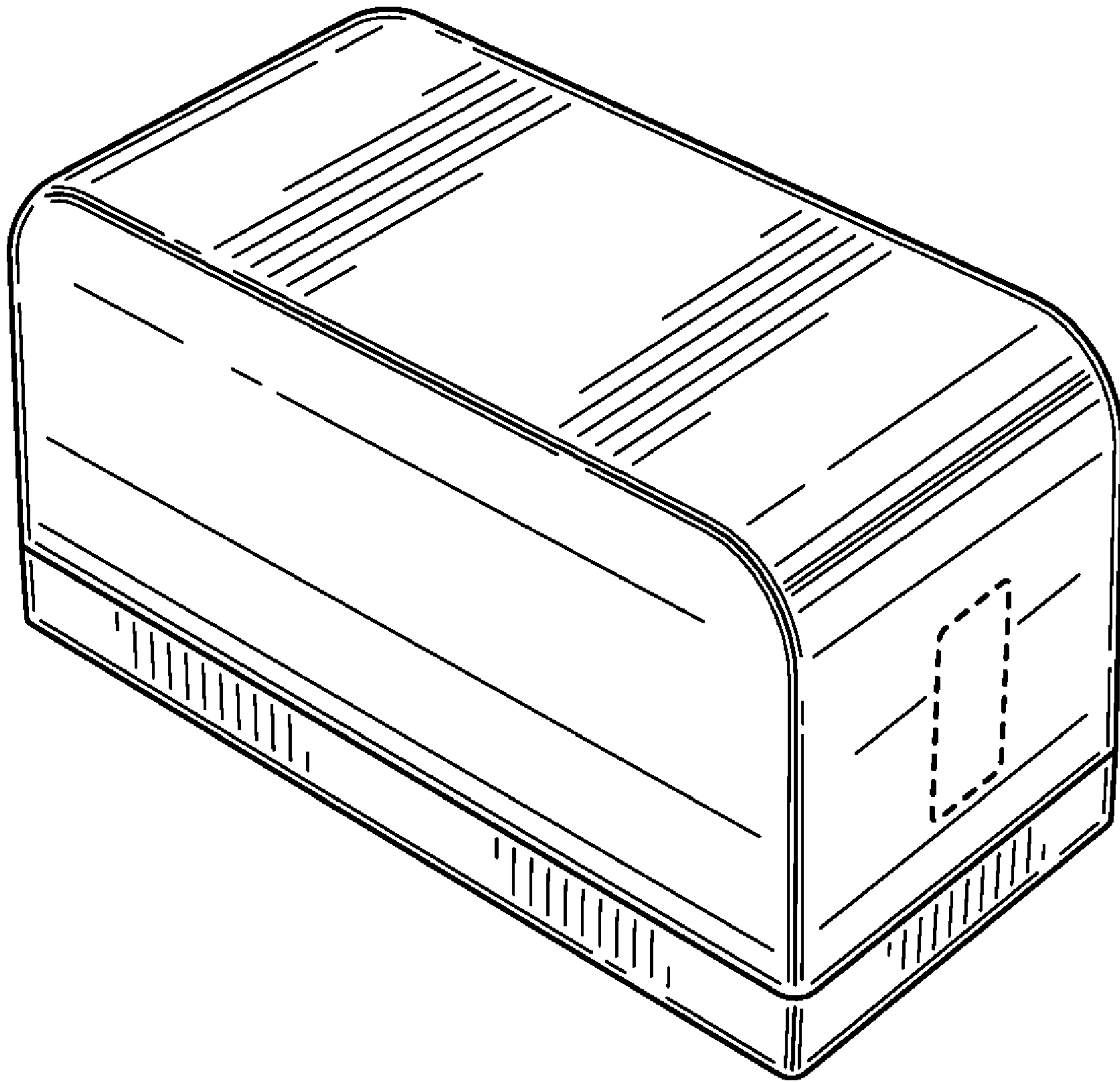


FIG. 8

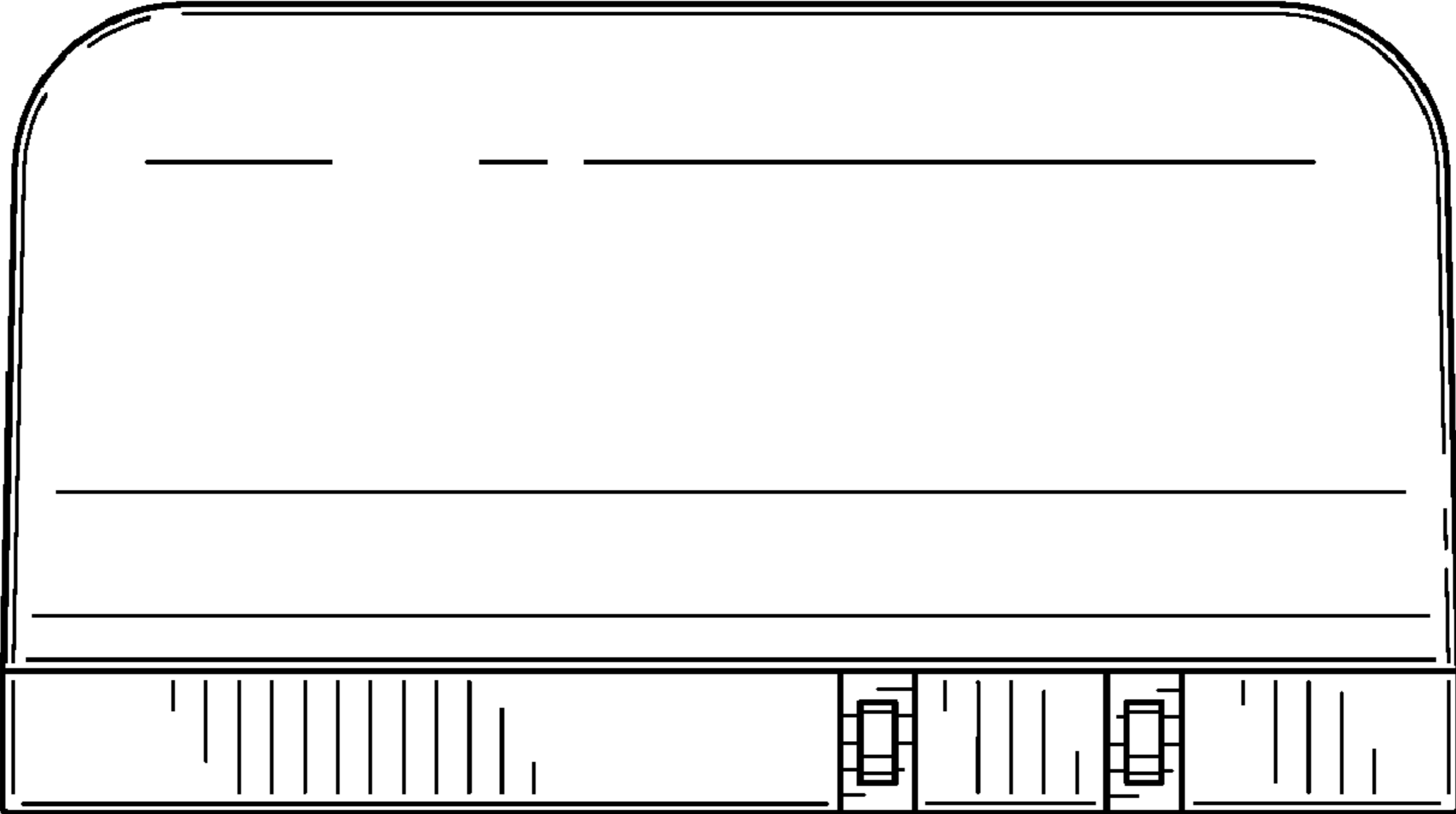


FIG. 9

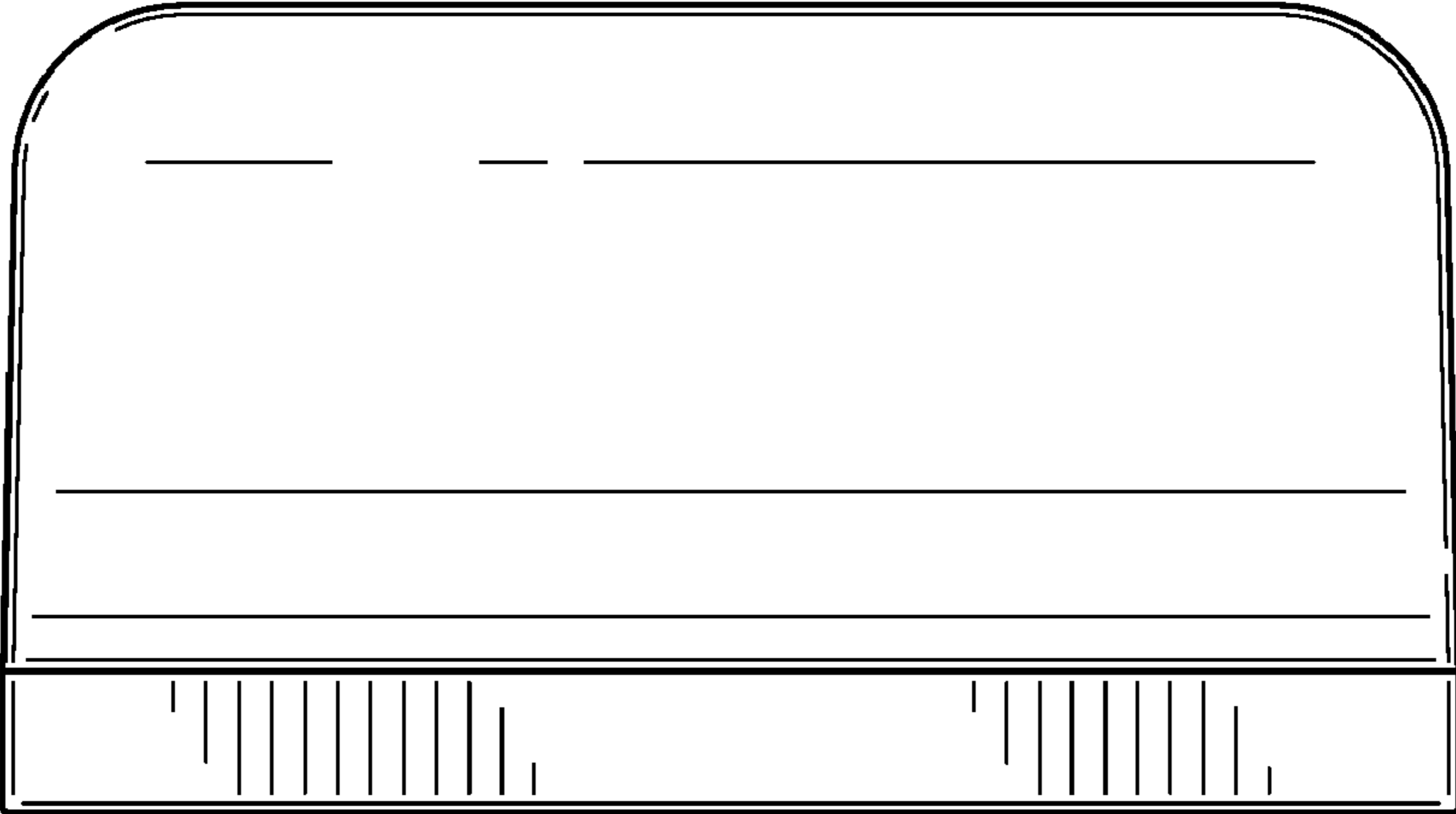


FIG. 10

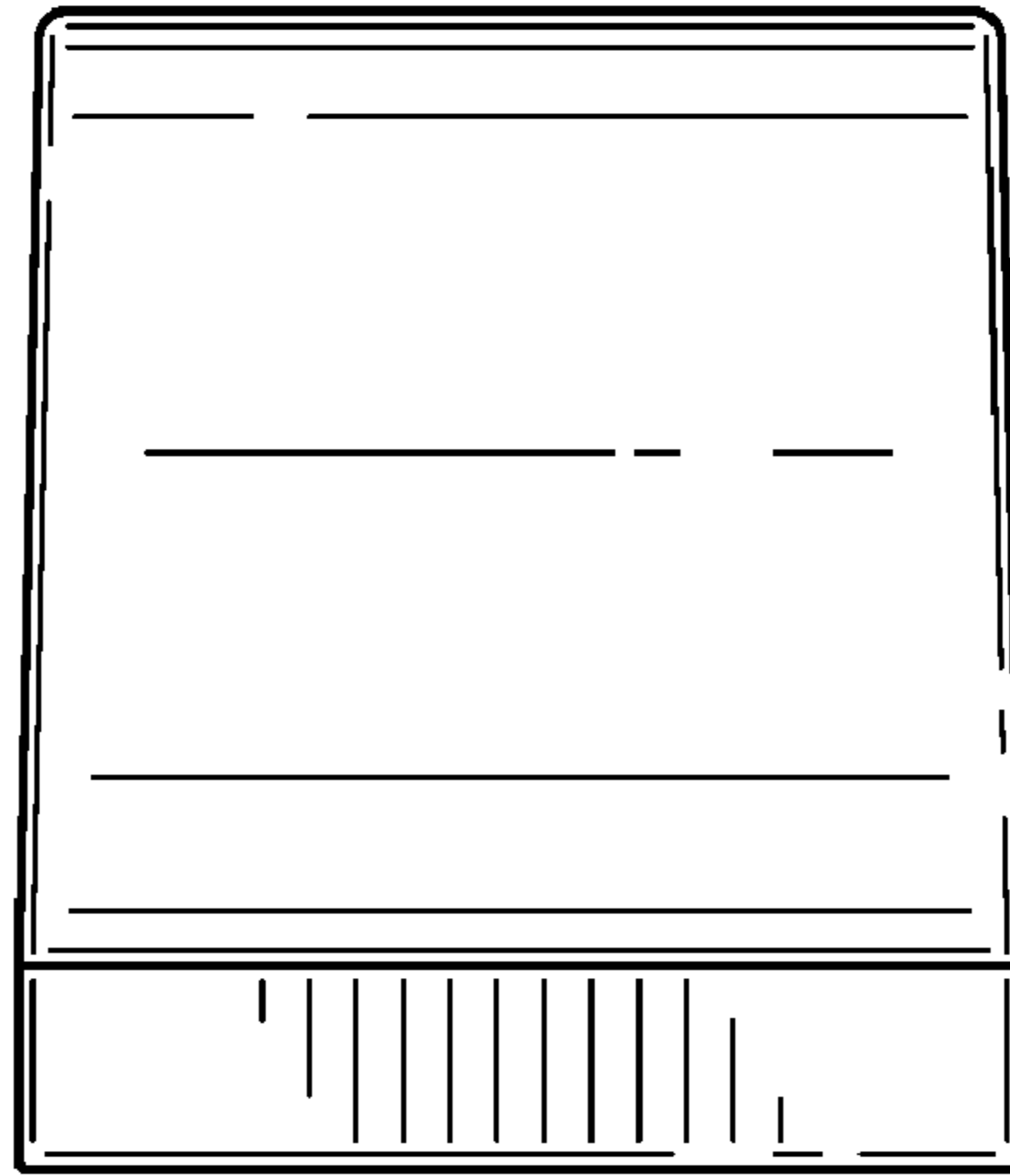


FIG. 11

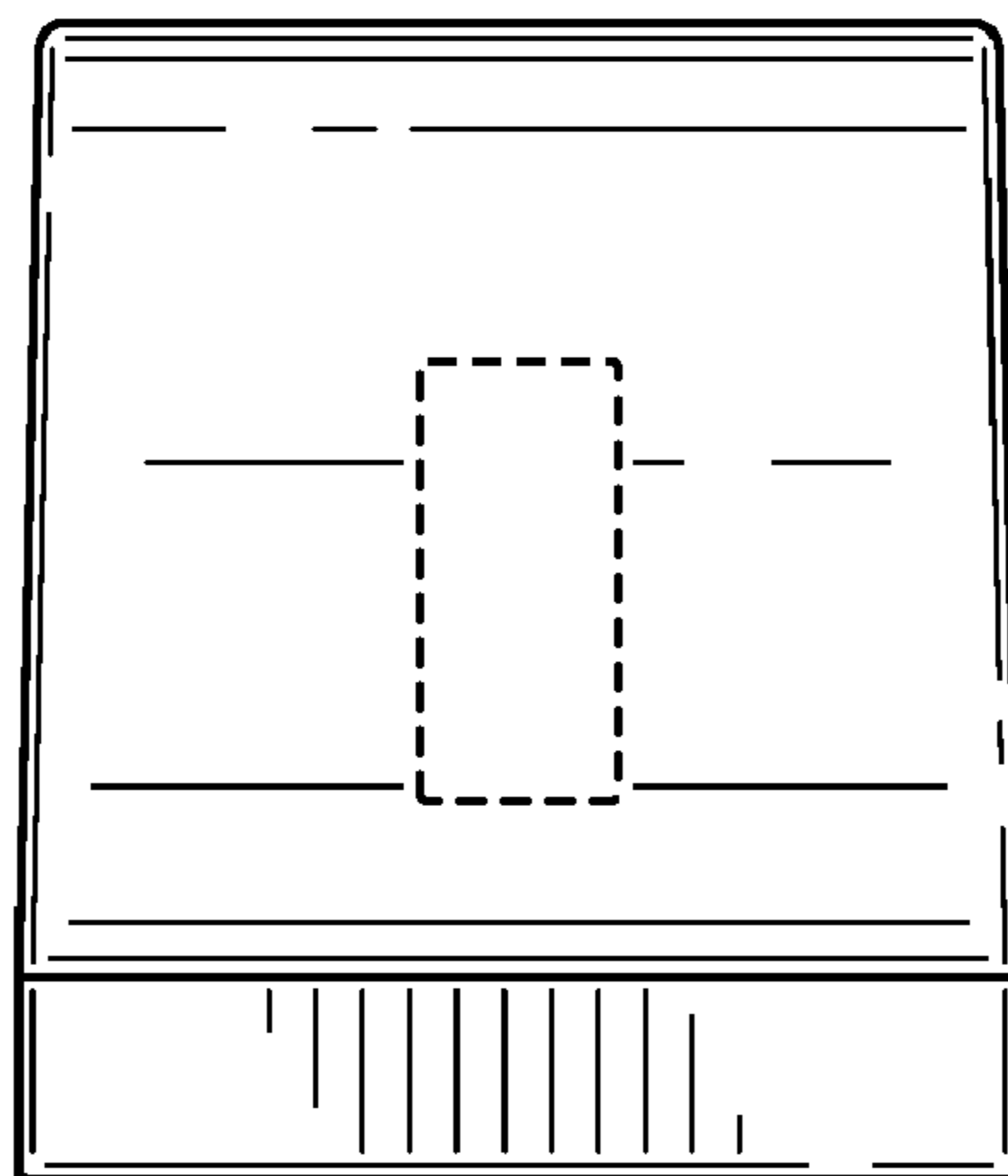


FIG. 12

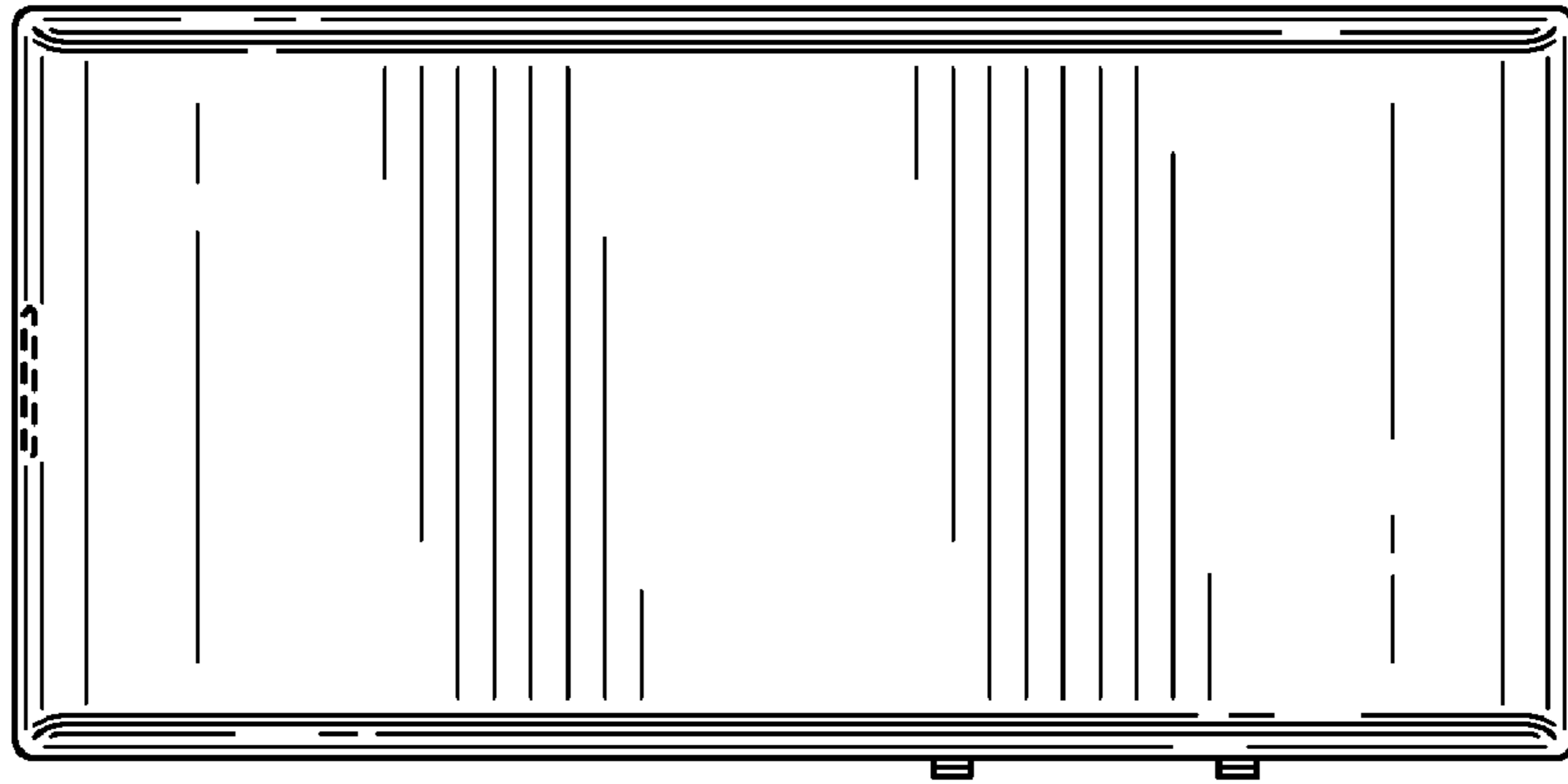


FIG. 13

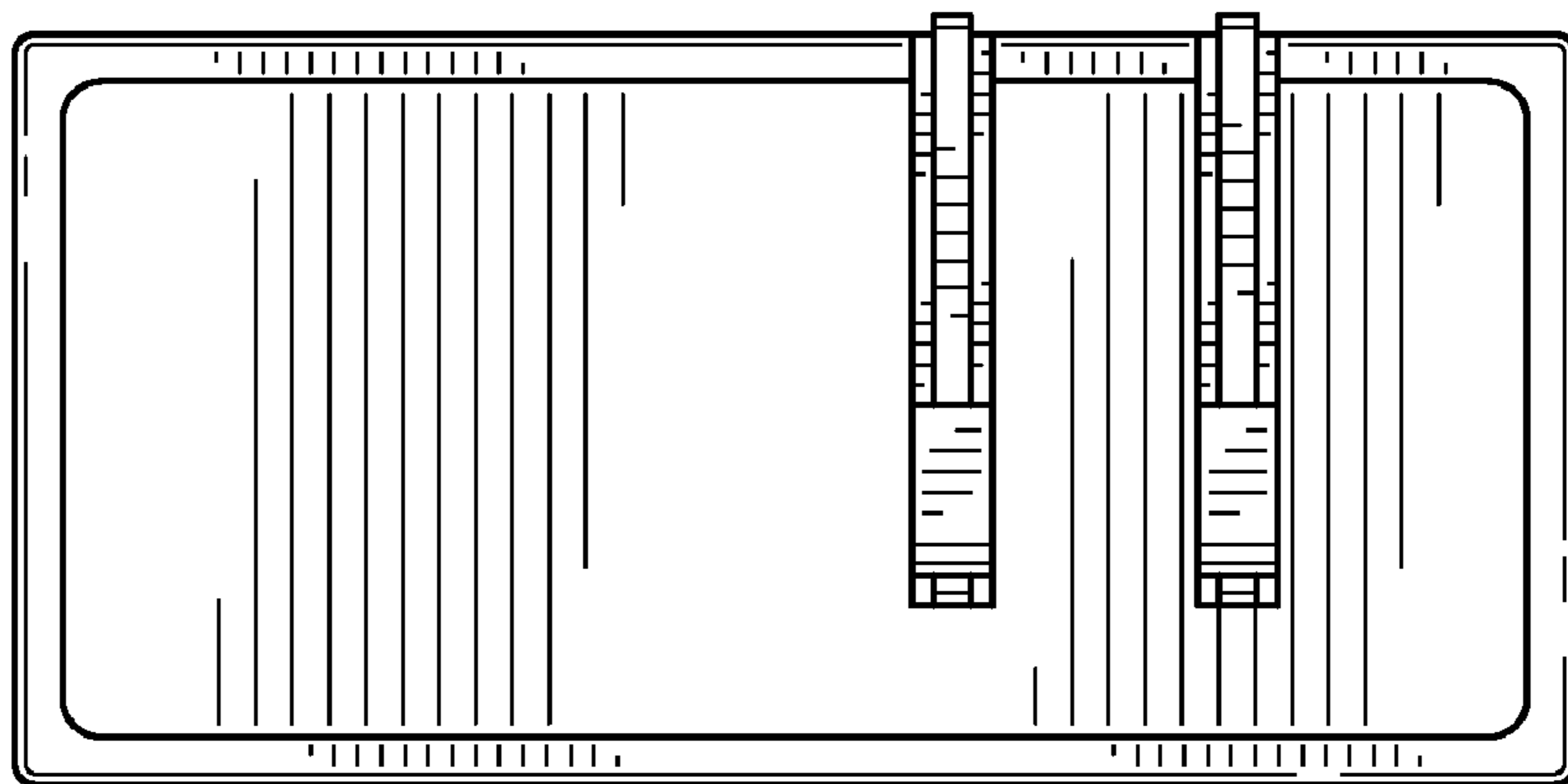


FIG. 14