



US00D573945S

(12) **United States Design Patent**
Park

(10) **Patent No.:** **US D573,945 S**

(45) **Date of Patent:** **** Jul. 29, 2008**

(54) **INVERTER FOR ELECTRIC MOTOR**

(75) Inventor: **Kyung Eun Park**, Seoul (KR)

(73) Assignee: **LS Industrial Systems Co., Ltd.**, Seoul (KR)

(**) Term: **14 Years**

(21) Appl. No.: **29/264,553**

(22) Filed: **Aug. 14, 2006**

(30) **Foreign Application Priority Data**

Mar. 24, 2006 (KR) 30-2006-0011094

(51) **LOC (8) Cl.** **13-02**

(52) **U.S. Cl.** **D13/110**

(58) **Field of Classification Search** D13/110,
D13/101, 123, 184, 199; 307/150–152; 361/600,
361/601, 622, 702, 703, 730, 809; 363/141,
363/142

See application file for complete search history.

(56) **References Cited**

U.S. PATENT DOCUMENTS

- 4,620,263 A * 10/1986 Ito 361/690
- D303,370 S * 9/1989 Kondo et al. D13/110
- D343,382 S * 1/1994 Hagura et al. D13/110
- D358,753 S * 5/1995 Yoshida et al. D13/123
- 5,497,289 A * 3/1996 Sugishima et al. 361/709
- D372,017 S * 7/1996 Suematsu et al. D13/110

- D376,785 S * 12/1996 Ikeda et al. D13/110
- D455,121 S * 4/2002 Takeuchi et al. D13/110
- D455,399 S * 4/2002 Imamura et al. D13/110
- D455,714 S * 4/2002 Kim D13/110
- D457,492 S * 5/2002 Kim D13/110
- D494,133 S * 8/2004 Song D13/110
- D502,916 S * 3/2005 Higuchi et al. D13/110

* cited by examiner

Primary Examiner—Prabhakar Deshmukh

Assistant Examiner—Derrick Holland

(74) *Attorney, Agent, or Firm*—Birch, Stewart, Kolasch & Birch, LLP

(57) **CLAIM**

I claim the ornamental design for inverter for electric motor, as shown and described.

DESCRIPTION

FIG. 1 is a perspective view of inverter for electric motor showing the new design:

FIG. 2 is a front elevation view thereof;

FIG. 3 is a rear elevation view thereof;

FIG. 4 is a left-side elevation view thereof;

FIG. 5 is a right-side elevation view thereof;

FIG. 6 is a top plan view thereof; and,

FIG. 7 is a bottom plan view thereof.

1 Claim, 4 Drawing Sheets

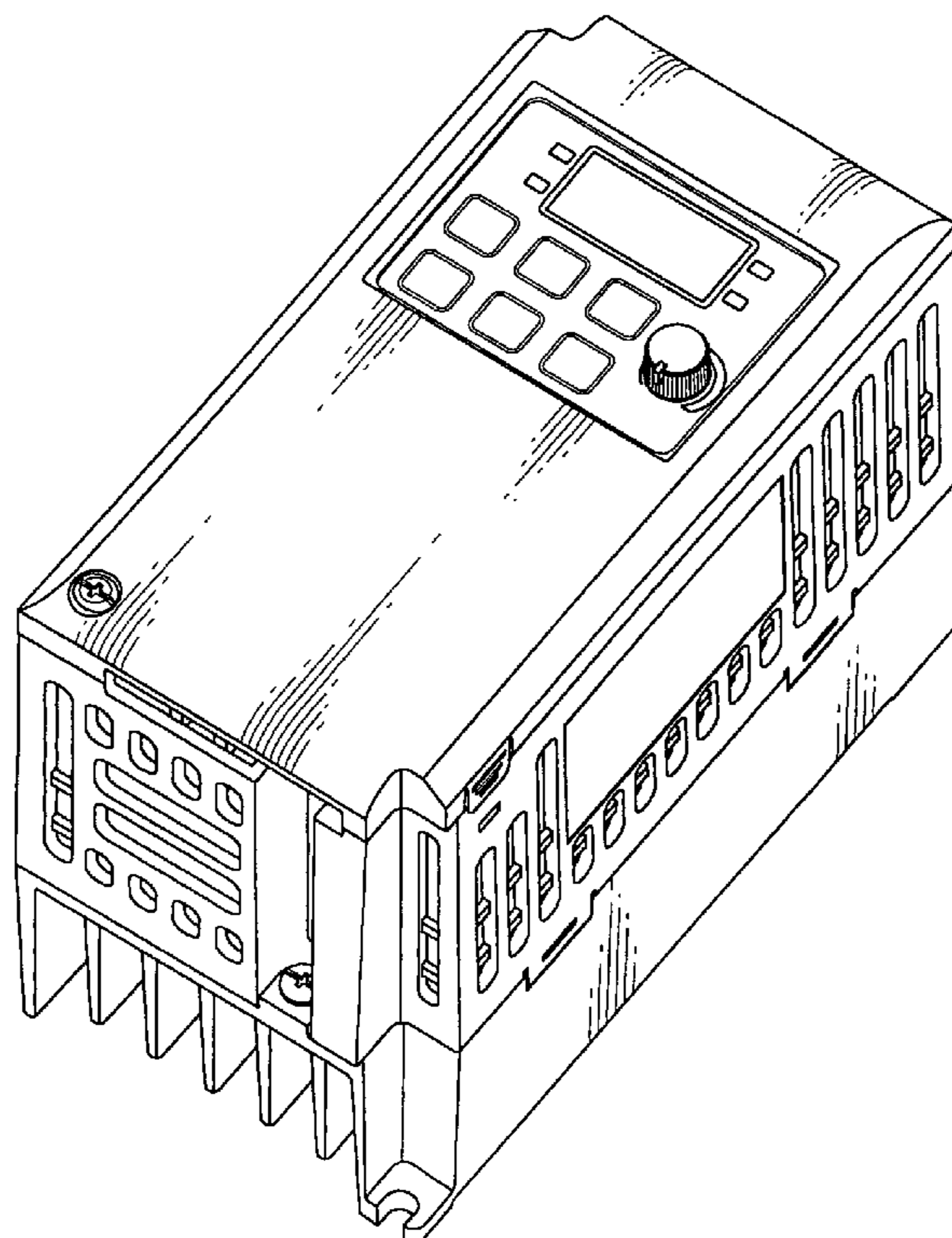


FIG. 1

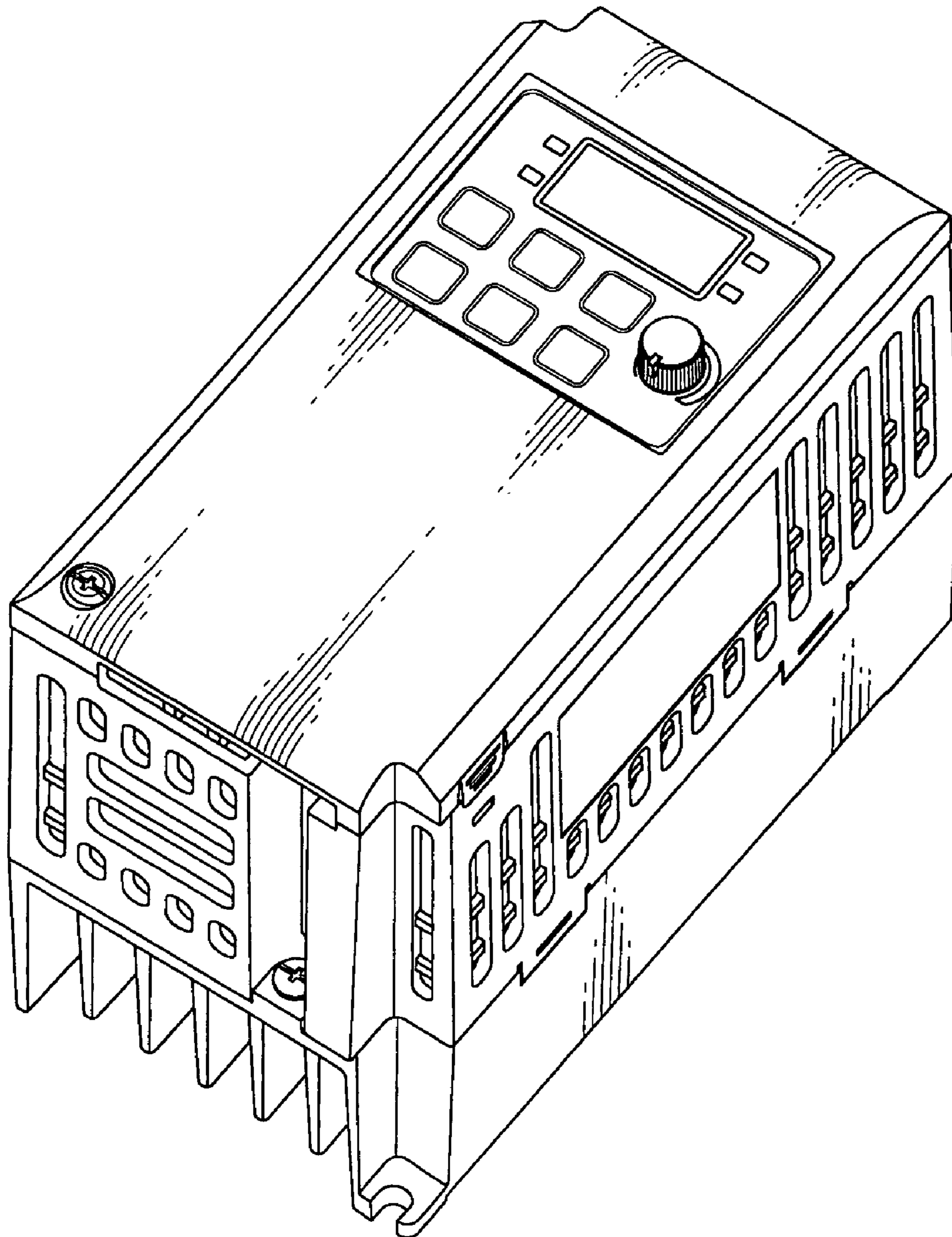


FIG. 2

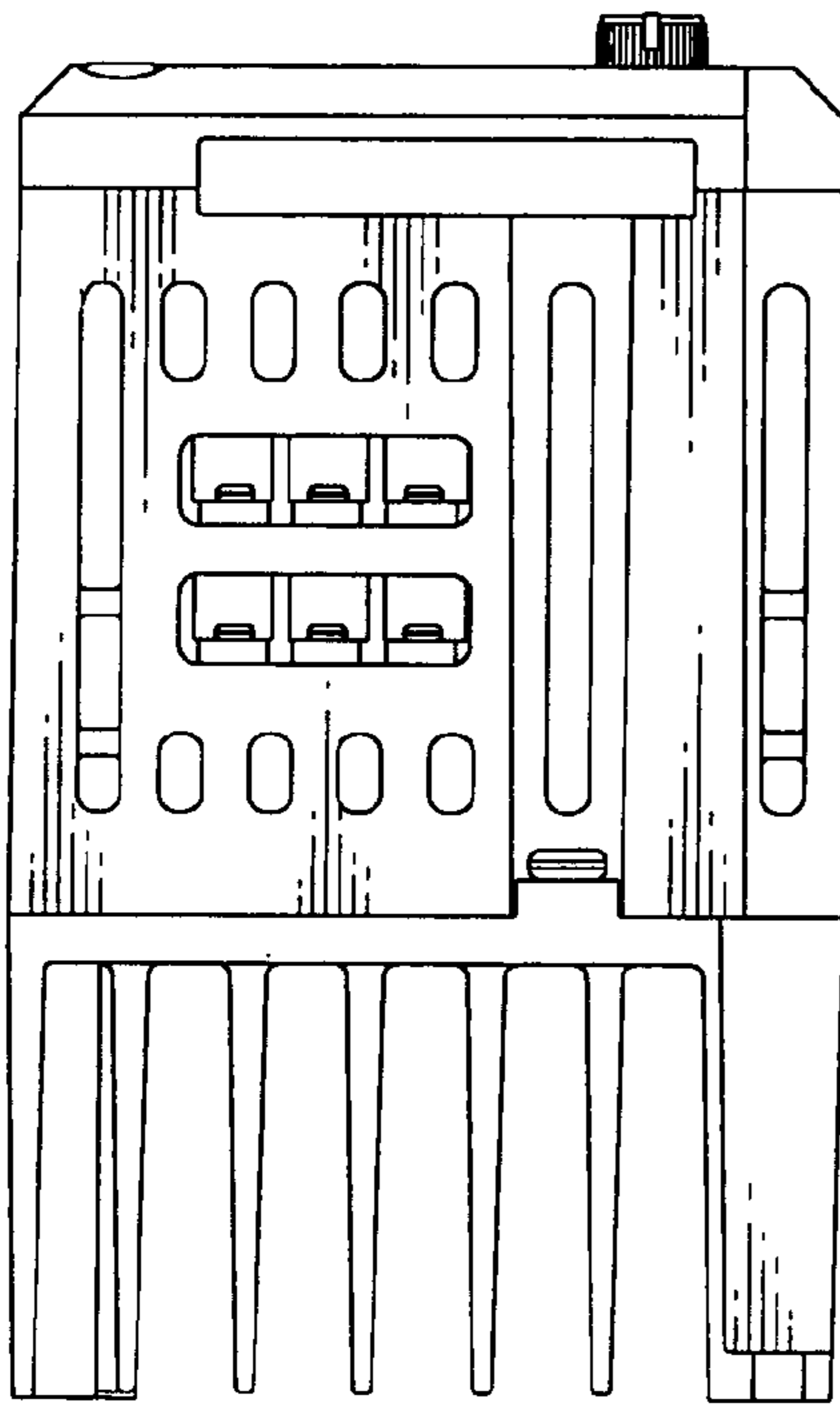


FIG. 3

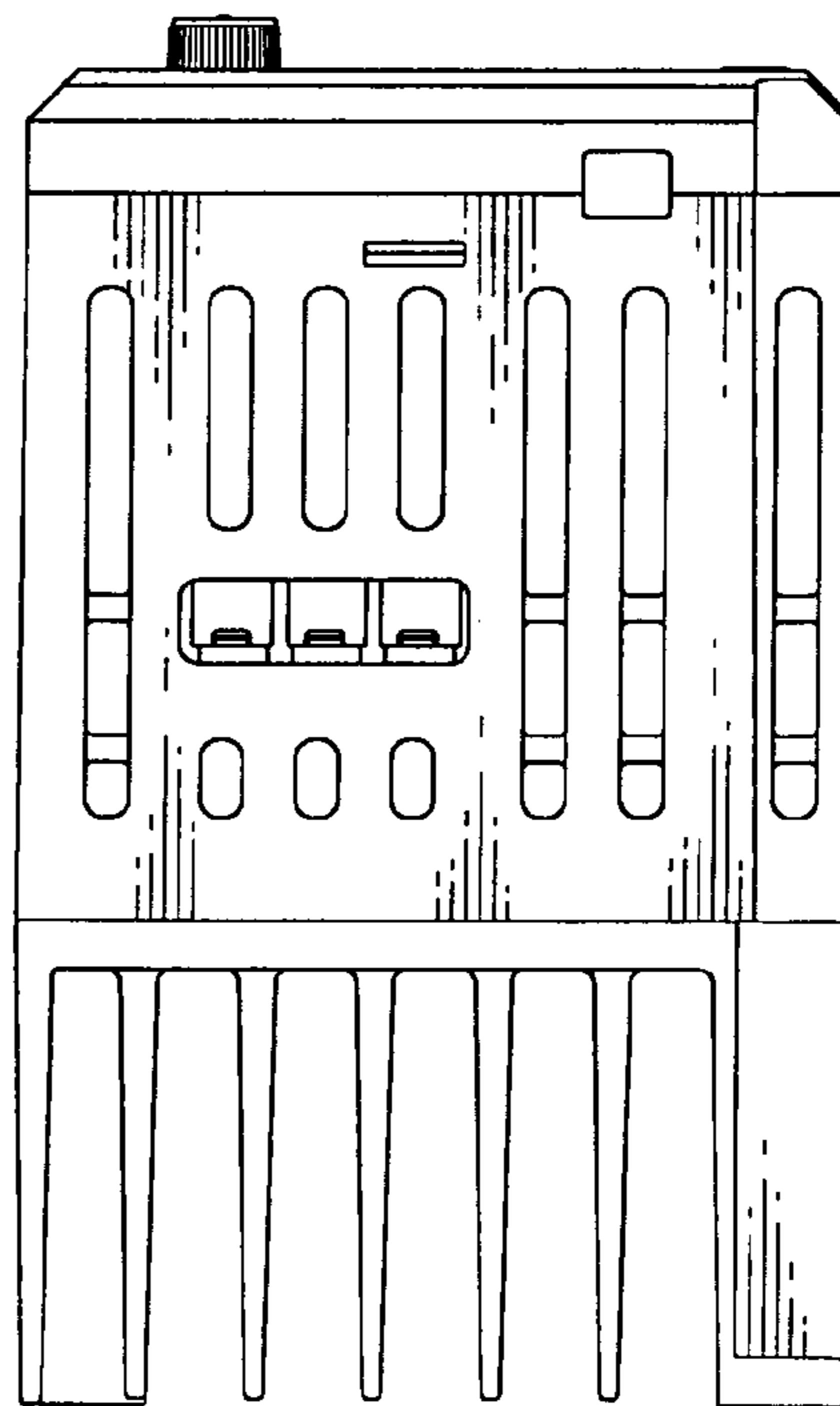


FIG. 4

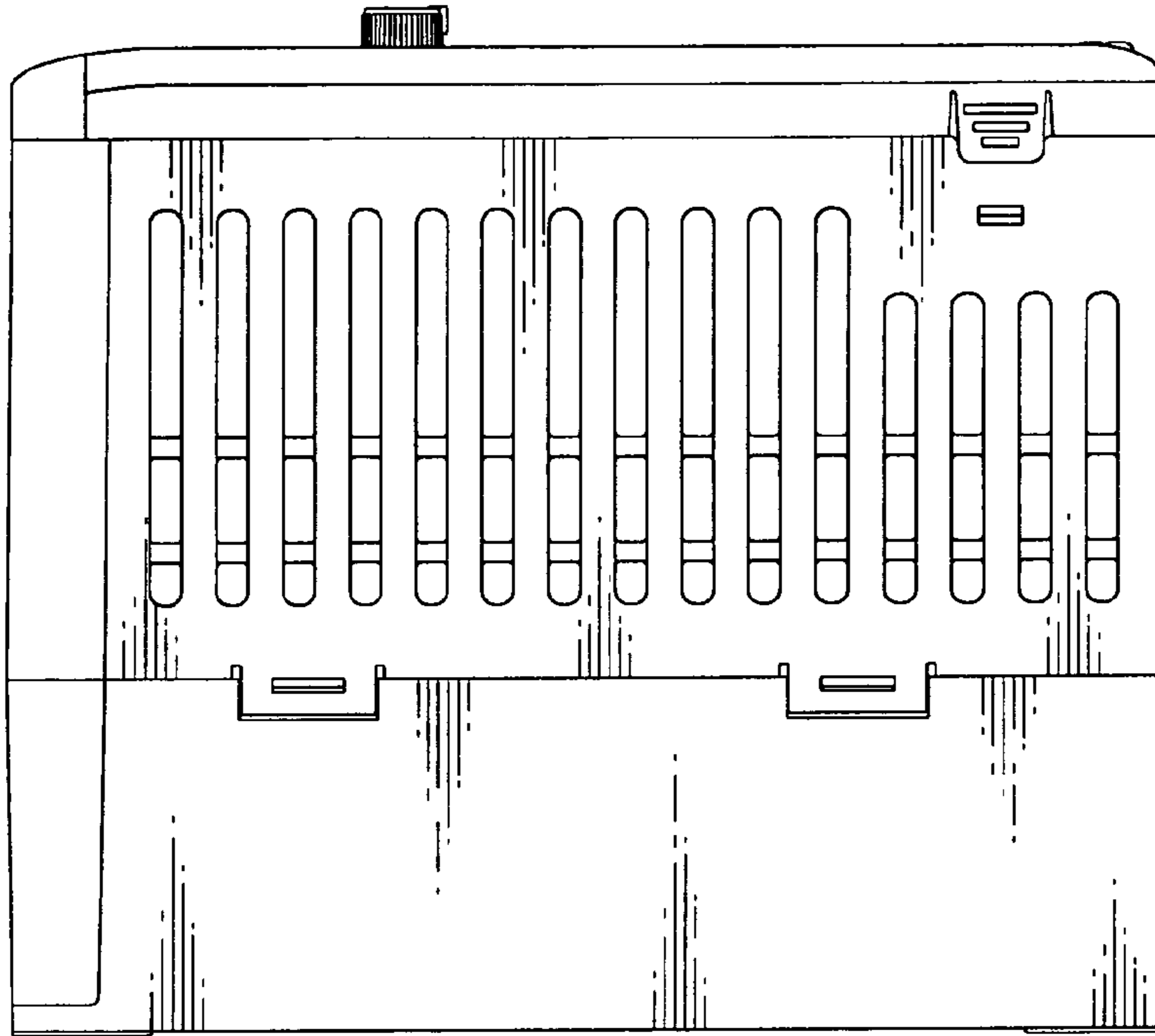


FIG. 5

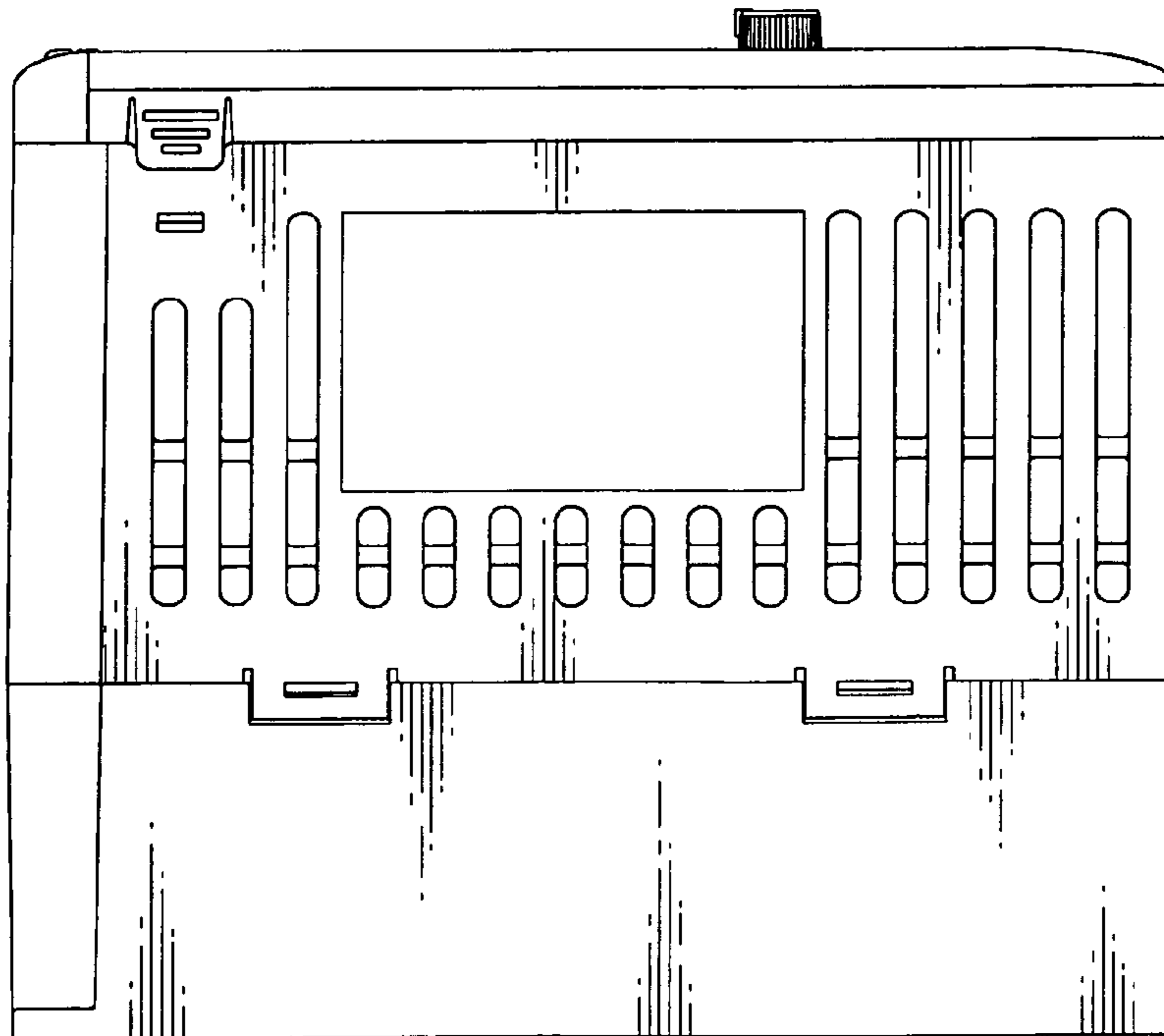


FIG. 6

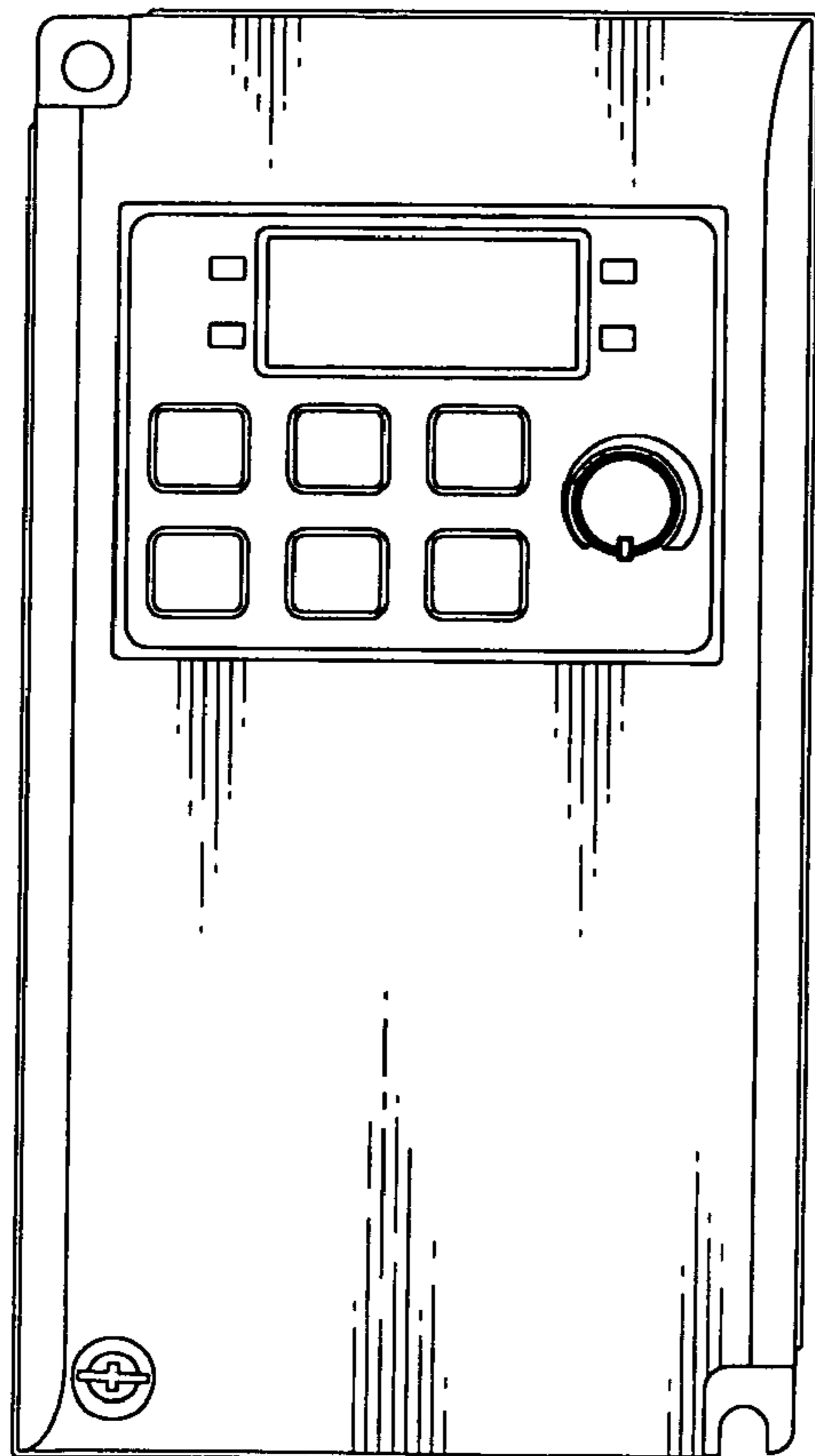


FIG. 7

