



US00D573939S

(12) **United States Design Patent**
Las Heras

(10) **Patent No.:** **US D573,939 S**
(45) **Date of Patent:** **** Jul. 29, 2008**

- (54) **UNMANNED AERIAL VEHICLE**
- (75) Inventor: **Arturo Turrillas Las Heras**, San Sebastian (ES)
- (73) Assignee: **Aerovision Vehiculos Aeros, S.L.**, San Sebastian (ES)
- (**) Term: **14 Years**
- (21) Appl. No.: **29/261,300**
- (22) Filed: **Jun. 12, 2006**
- (51) **LOC (8) Cl.** **12-07**
- (52) **U.S. Cl.** **D12/319**
- (58) **Field of Classification Search** D12/319, D12/16.1; 244/117 R, 118.2, 120, 131, 2 M, 244/1 R; 446/30-69
See application file for complete search history.

- 6,742,741 B1 * 6/2004 Rivoli 244/12.1
- 6,868,314 B1 * 3/2005 Frink 701/3
- D508,013 S * 8/2005 Rihn et al. D12/319
- 7,059,566 B2 * 6/2006 Byers et al. 244/119
- 7,237,750 B2 * 7/2007 Chiu et al. 244/119
- 7,306,187 B2 * 12/2007 Lavan 244/123.11

* cited by examiner

Primary Examiner—Ian Simmons

Assistant Examiner—Maurice Stevens

(74) *Attorney, Agent, or Firm*—Katten Muchin Rosenman LLP

(57) **CLAIM**

The ornamental design for an unmanned aerial vehicle, as shown and described.

DESCRIPTION

FIG. 1 is a perspective view of an unmanned aerial vehicle showing the new design;

FIG. 2 is a front view thereof;

FIG. 3 is a top plan view thereof;

FIG. 4 is a left side view thereof;

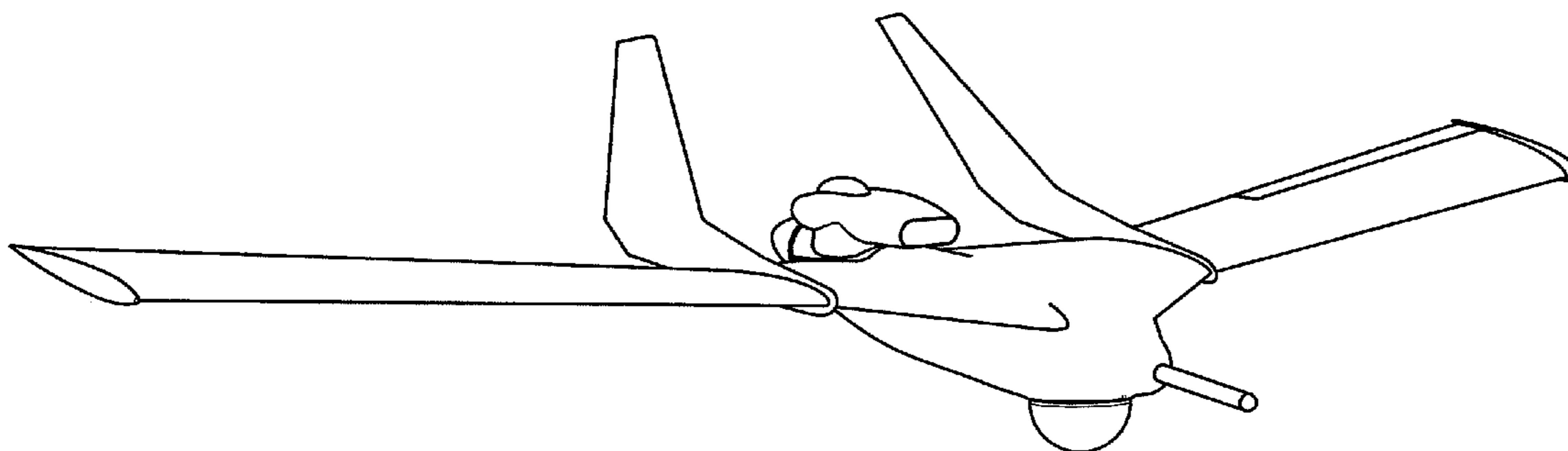
FIG. 5 is a rear view thereof;

FIG. 6 is a bottom plan view thereof; and,

FIG. 7 is a right side view thereof.

1 Claim, 7 Drawing Sheets

- (56) **References Cited**
- U.S. PATENT DOCUMENTS
- D132,383 S * 5/1942 Reedy D12/16.1
- 5,245,927 A * 9/1993 Ranes 102/378
- 5,419,513 A * 5/1995 Flemming et al. 244/12.2
- 5,779,190 A * 7/1998 Rambo et al. 244/54
- 5,890,441 A * 4/1999 Swinson et al. 244/12.3
- 5,906,336 A * 5/1999 Eckstein 244/135 A
- 6,056,237 A * 5/2000 Woodland 244/3.15



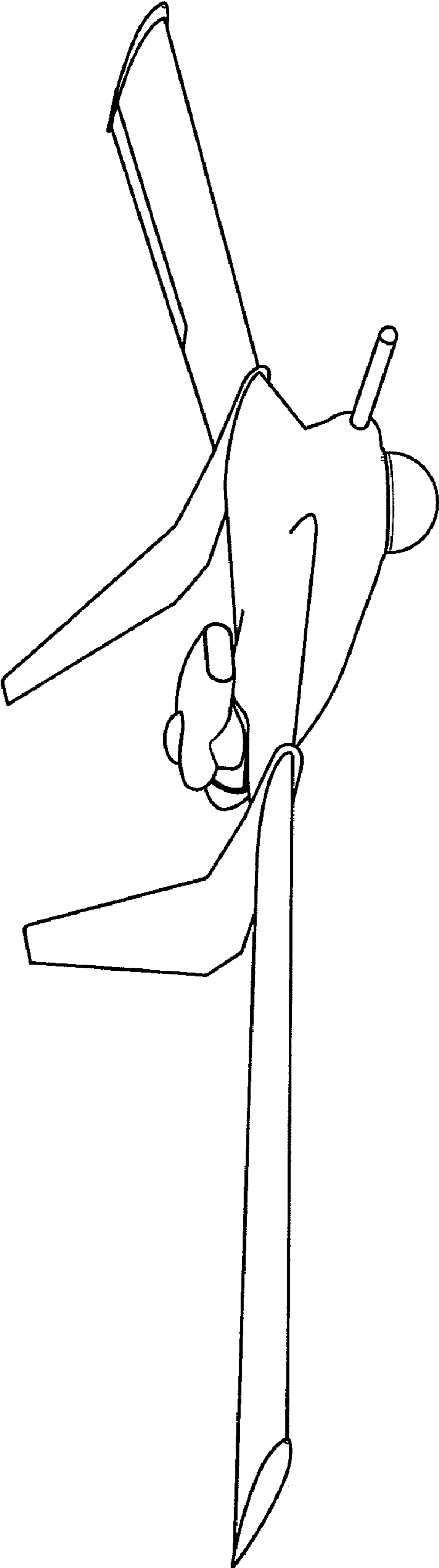


FIG. 1

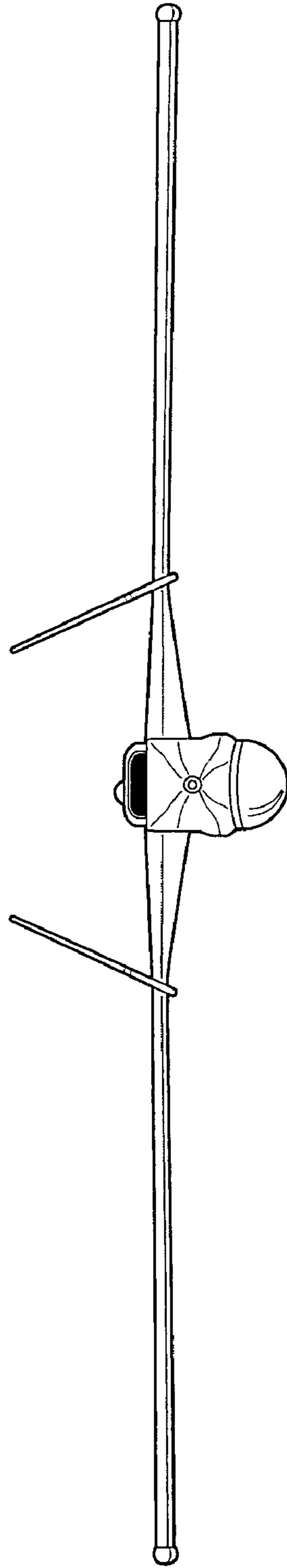


FIG. 2

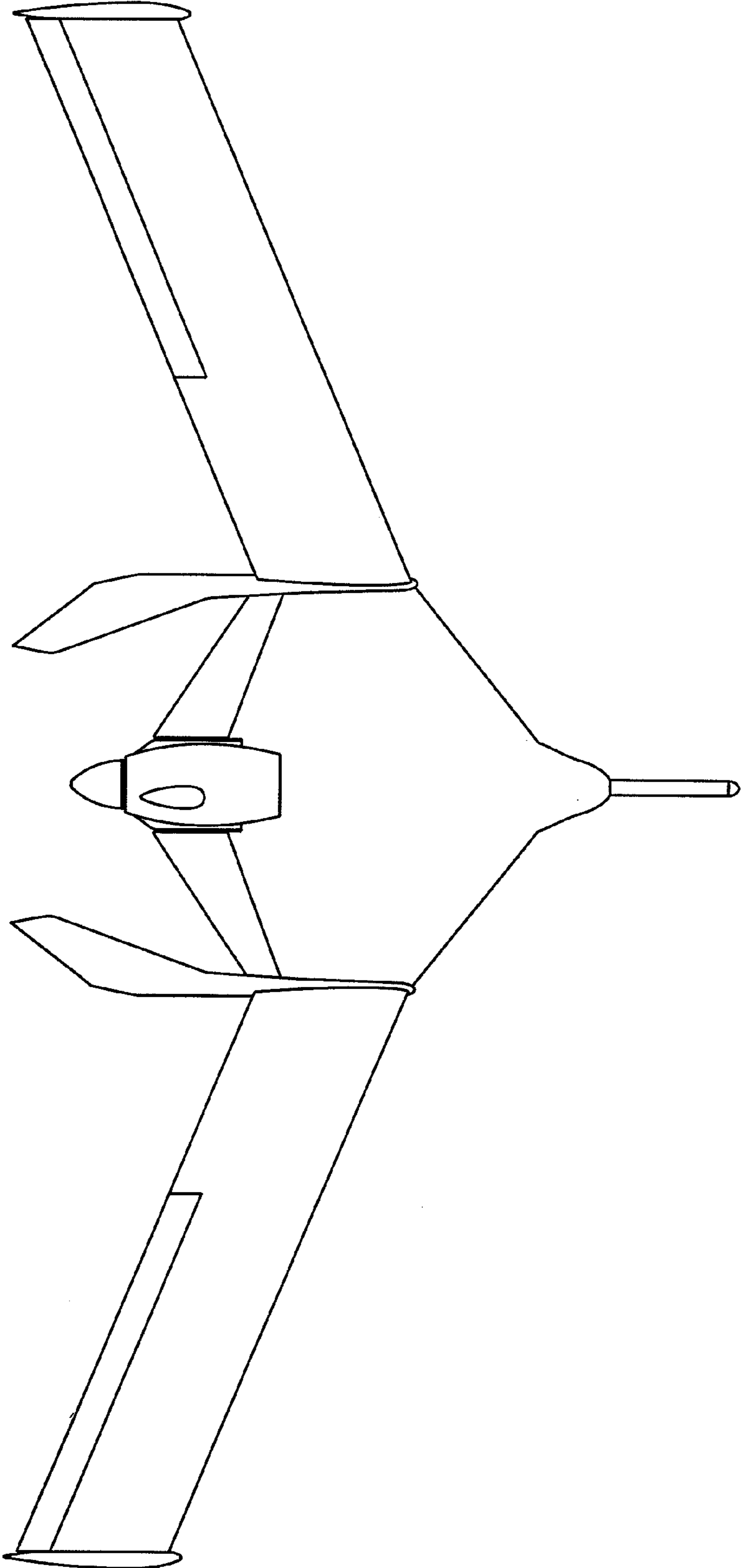


FIG. 3

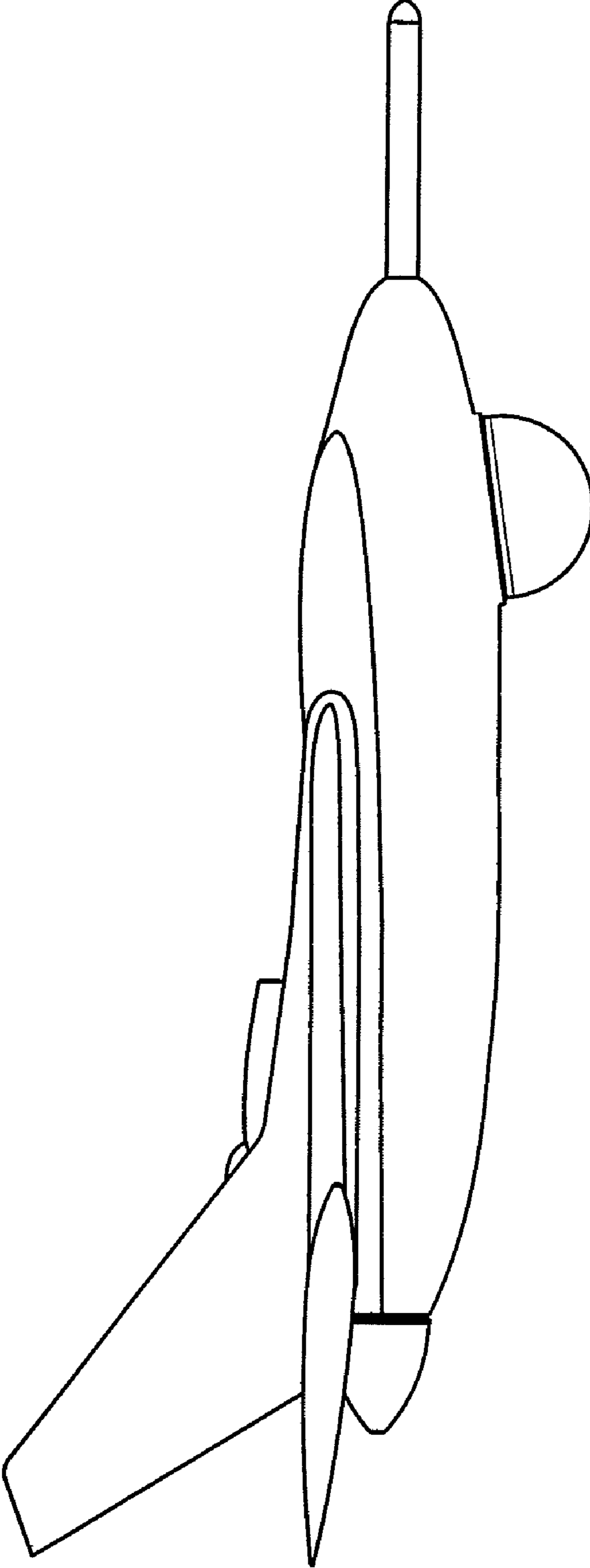


FIG. 4

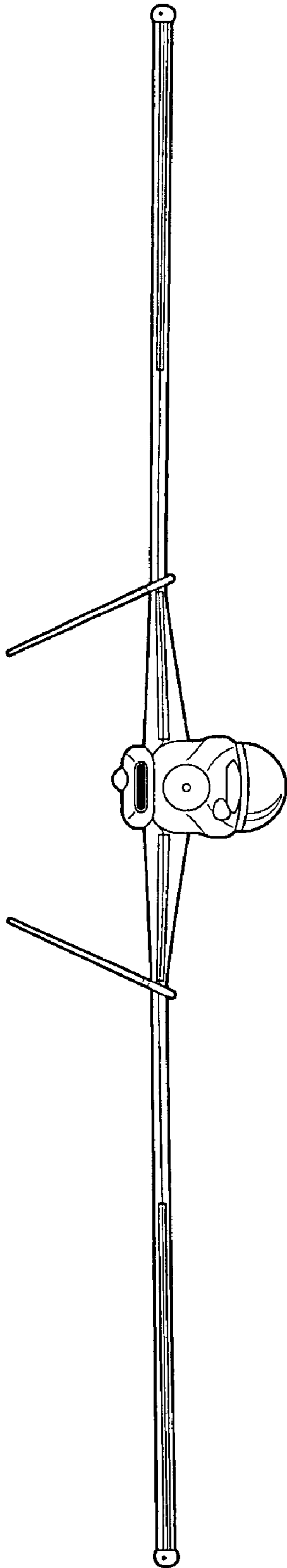


FIG. 5

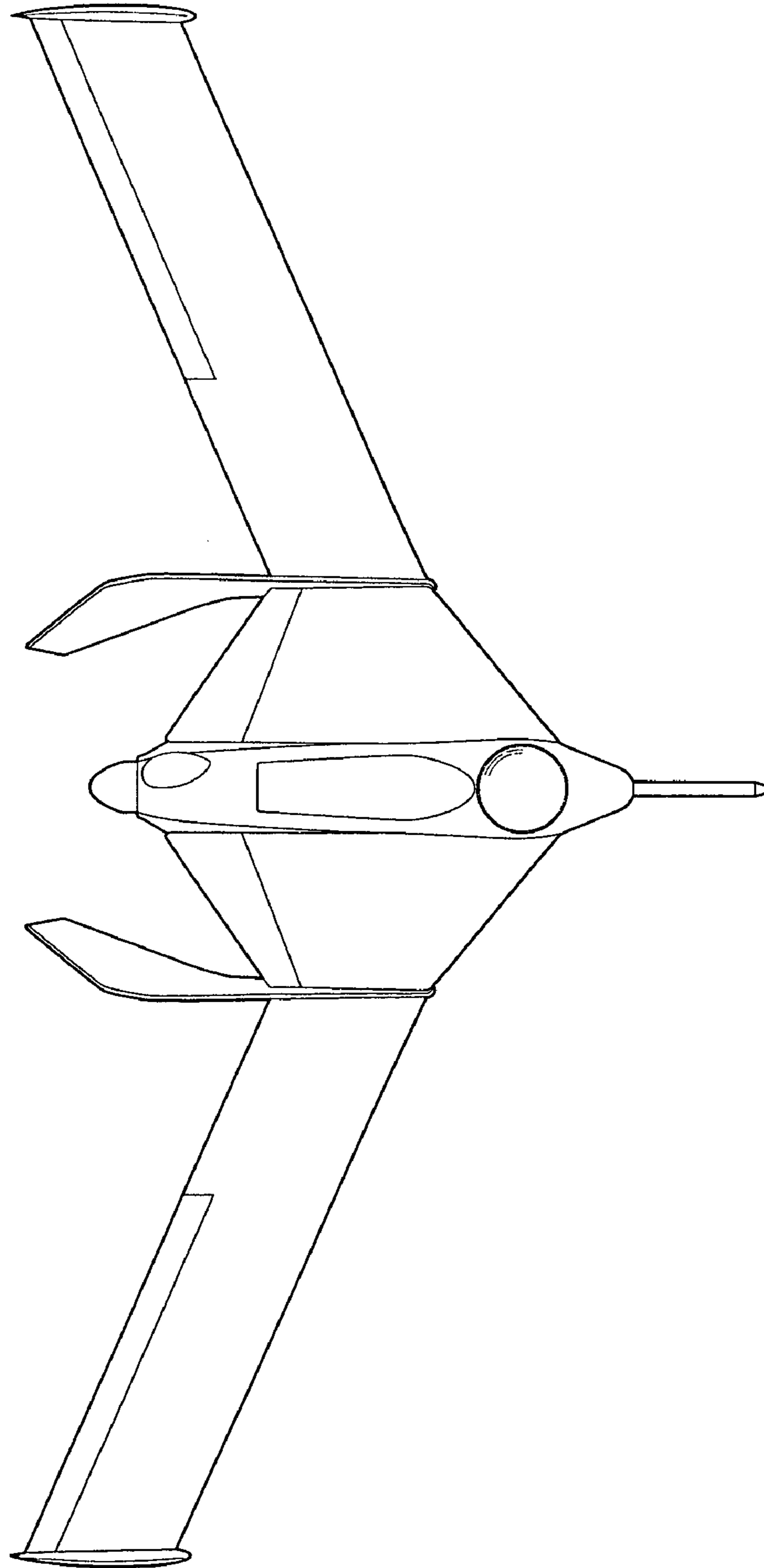


FIG. 6

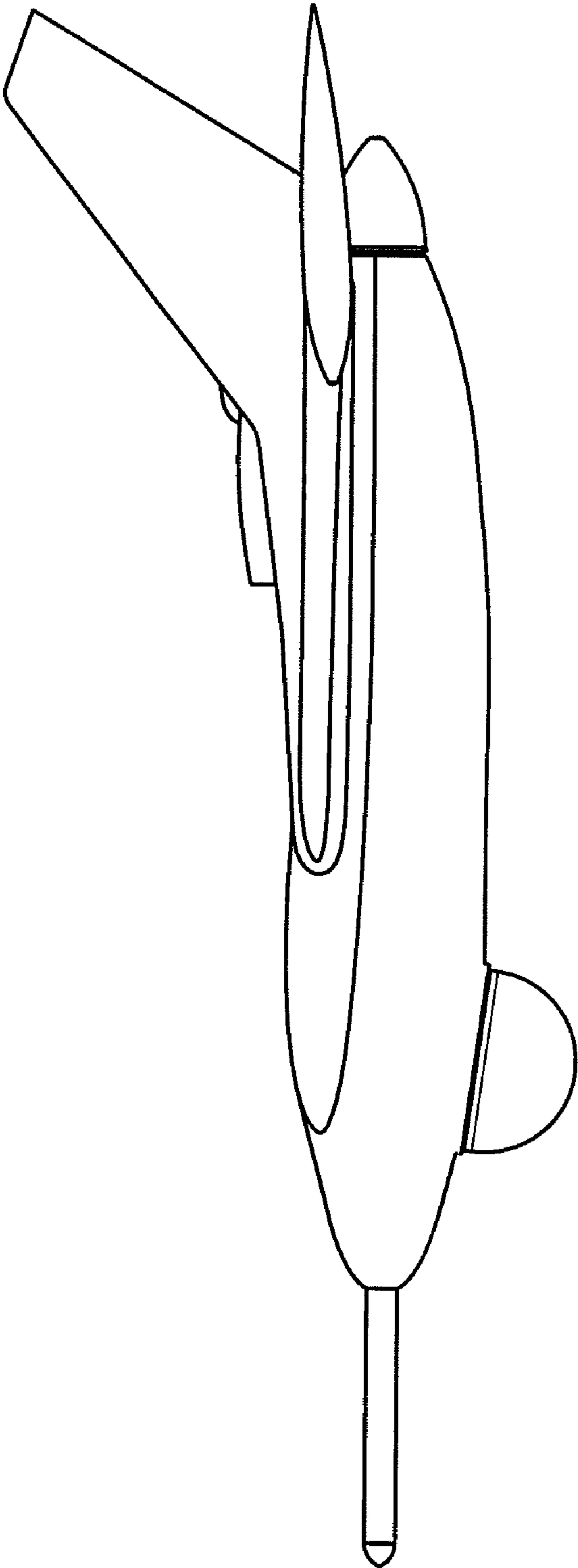


FIG. 7