



US00D573938S

(12) **United States Design Patent**
Beamer

(10) **Patent No.:** **US D573,938 S**
(45) **Date of Patent:** **** Jul. 29, 2008**

(54) **TRIM TAB**

(75) Inventor: **Gregory Paul Beamer**, Mankato, MN
(US)

(73) Assignee: **Johnson Outdoors Inc.**, Mankato, MN
(US)

(**) Term: **14 Years**

(21) Appl. No.: **29/294,235**

(22) Filed: **Dec. 28, 2007**

(51) **LOC (8) Cl.** **12-06**

(52) **U.S. Cl.** **D12/317**

(58) **Field of Classification Search** D12/300,
D12/317, 318; 114/285, 286, 288–290, 343,
114/361, 364

See application file for complete search history.

D317,431 S *	6/1991	Klus	D12/317
5,058,520 A	10/1991	Fahrney		
5,113,780 A	5/1992	Bennett et al.		
5,117,741 A	6/1992	Richards		
5,142,473 A	8/1992	Davis		
D335,484 S *	5/1993	Moyle et al.	D12/317
5,215,029 A	6/1993	Davis		
5,263,432 A	11/1993	Davis		
5,350,327 A	9/1994	Self et al.		
5,383,419 A	1/1995	Stevens		
5,385,110 A	1/1995	Bennett et al.		
5,443,026 A	8/1995	Wenstadt et al.		
5,474,012 A	12/1995	Yamada et al.		
5,474,013 A	12/1995	Wittmaier		
5,524,567 A	6/1996	Astley et al.		
D378,813 S *	4/1997	Jacques	D12/317
5,704,308 A	1/1998	Anderson		
D392,936 S *	3/1998	Koyanagi	D12/317
5,832,863 A	11/1998	Sherlock		
5,842,895 A	12/1998	DeVito, Jr.		

(Continued)

(56) **References Cited**

U.S. PATENT DOCUMENTS

3,043,928 A	7/1962	Sherrill
3,177,837 A	4/1965	Sherrill
3,327,671 A	6/1967	Comins
3,628,487 A	12/1971	Bennett
3,695,204 A	10/1972	Bennett
3,977,349 A	8/1976	Hummel
4,232,626 A	11/1980	Kern
4,261,278 A	4/1981	Gaudin
4,323,027 A	4/1982	Schermerhorn
4,401,888 A	8/1983	West et al.
4,420,741 A	12/1983	West
4,424,041 A	1/1984	Sietmann et al.
4,644,893 A	2/1987	Zepp
D292,392 S	10/1987	Zepp et al.
4,708,672 A	11/1987	Bentz et al.
4,742,794 A	5/1988	Hagstrom
4,749,926 A	6/1988	Ontolchik
4,832,642 A	5/1989	Thompson
4,854,259 A	8/1989	Cluett
4,896,622 A	1/1990	Thomas
4,909,175 A	3/1990	Arnseson
4,967,682 A	11/1990	O'Donnell
5,017,165 A	5/1991	Havins

OTHER PUBLICATIONS

Minn Kota "Trim Tabs" brochure (in color), Jul. 2006 (4 pages).

Primary Examiner—Holly H Baynham

Assistant Examiner—Cynthia M Chin

(74) *Attorney, Agent, or Firm*—Kinney & Lange, P.A.

(57) **CLAIM**

The ornamental design for a trim tab, as shown and described.

DESCRIPTION

FIG. 1 is a top perspective view;

FIG. 2 is a bottom perspective view;

FIG. 3 is a top view;

FIG. 4 is a bottom view;

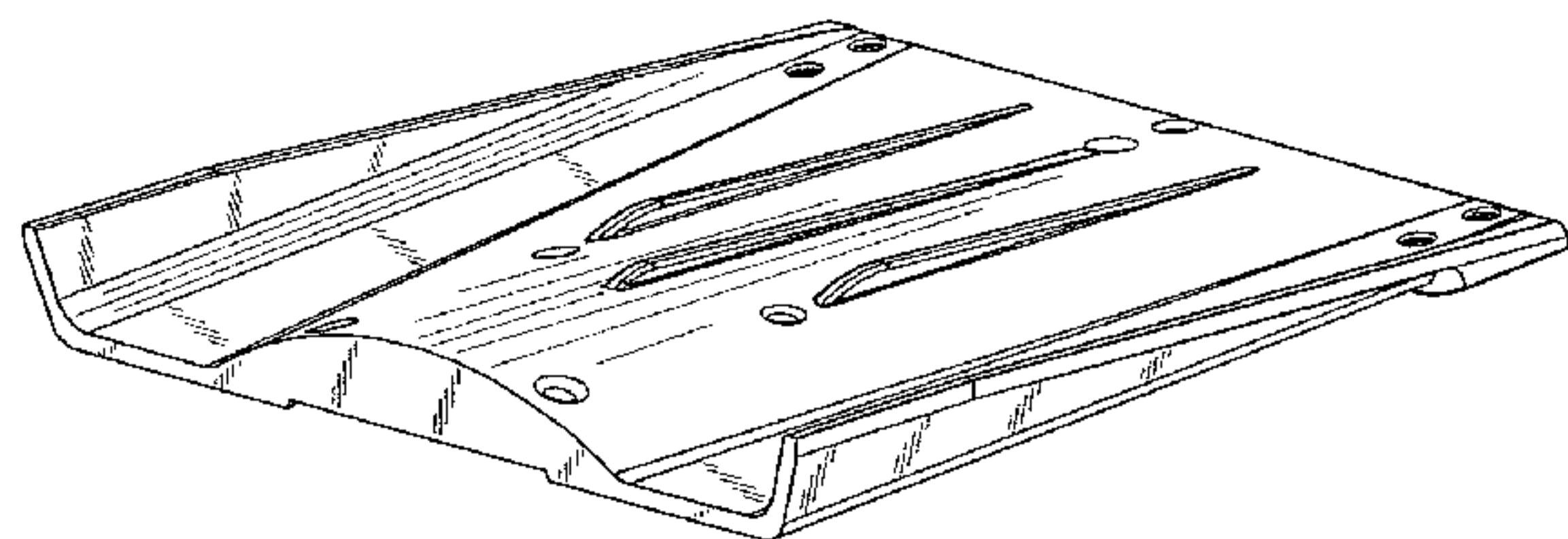
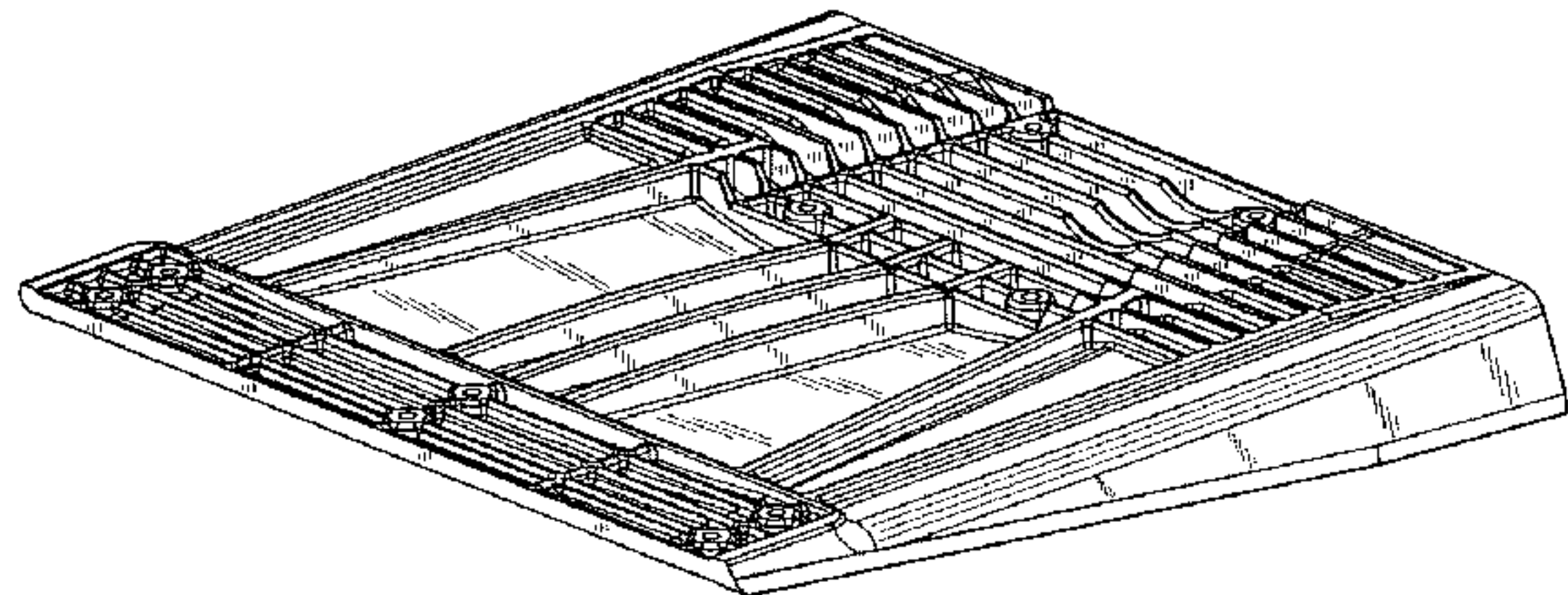
FIG. 5 is a rear view;

FIG. 6 is a front view;

FIG. 7 is a right side view; and,

FIG. 8 is a left side view.

1 Claim, 3 Drawing Sheets



US D573,938 S

Page 2

U.S. PATENT DOCUMENTS

5,878,686	A	3/1999	Anderson	6,354,237	B1	3/2002	Gaynor et al.
5,881,666	A	3/1999	Crews, Jr.	6,493,905	B2	12/2002	Stettler
6,085,684	A	7/2000	Cotton	6,520,813	B1	2/2003	DeVito, Jr.
6,089,177	A	7/2000	Müller	6,524,146	B2	2/2003	Spade et al.
6,095,077	A	8/2000	DeAgro	6,571,724	B1	6/2003	Shen
6,101,965	A *	8/2000	Koyanagi 114/288	6,583,728	B1	6/2003	Staerzl
6,132,267	A	10/2000	Campbell	6,588,360	B1	7/2003	Bachmann
6,138,601	A	10/2000	Anderson et al.	6,745,715	B1	6/2004	Shen et al.
6,167,830	B1	1/2001	Pilger	6,805,068	B1	10/2004	Tossavainen
6,174,210	B1	1/2001	Spade et al.	6,823,812	B2	11/2004	von Wolske
6,254,513	B1	7/2001	Takenaka et al.	6,863,581	B2	3/2005	Anderson
6,273,771	B1	8/2001	Buckley et al.	6,941,884	B2	9/2005	Moore
6,280,269	B1	8/2001	Gaynor	D510,720	S *	10/2005	Kruse D12/317
				7,143,711	B1 *	12/2006	Wolske 114/285

* cited by examiner

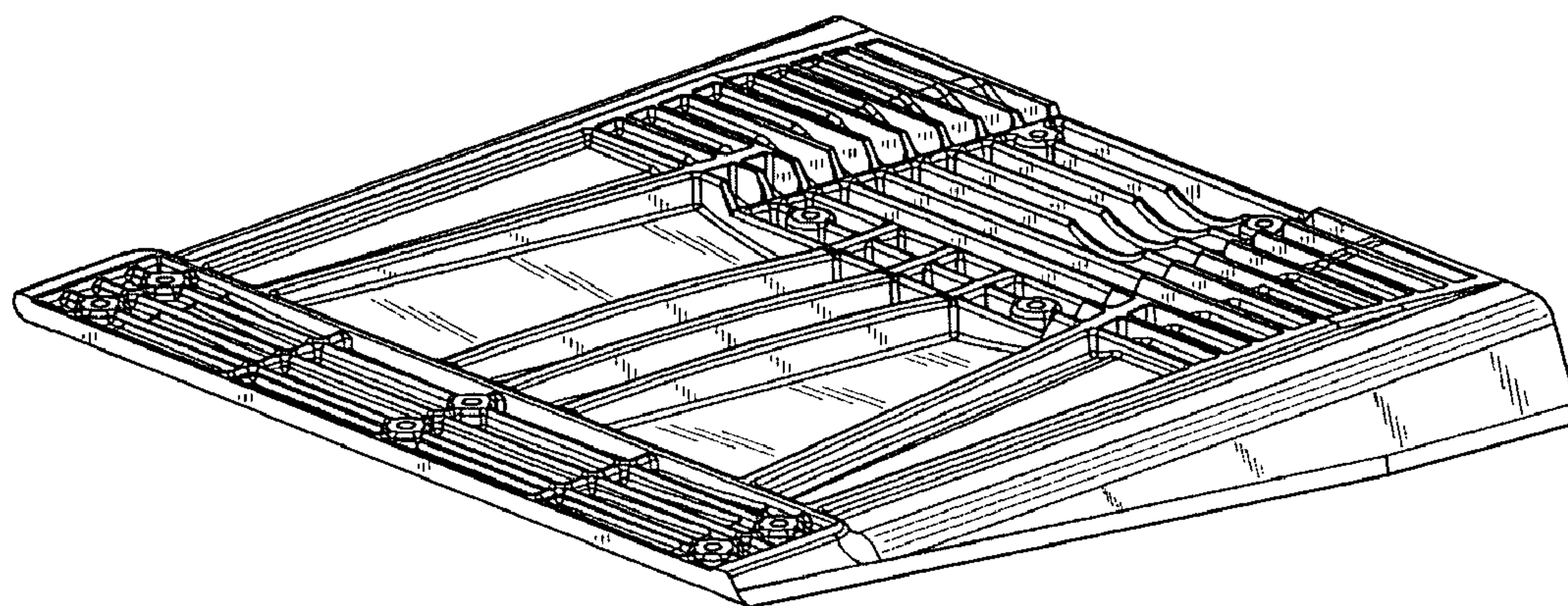


FIG. 1

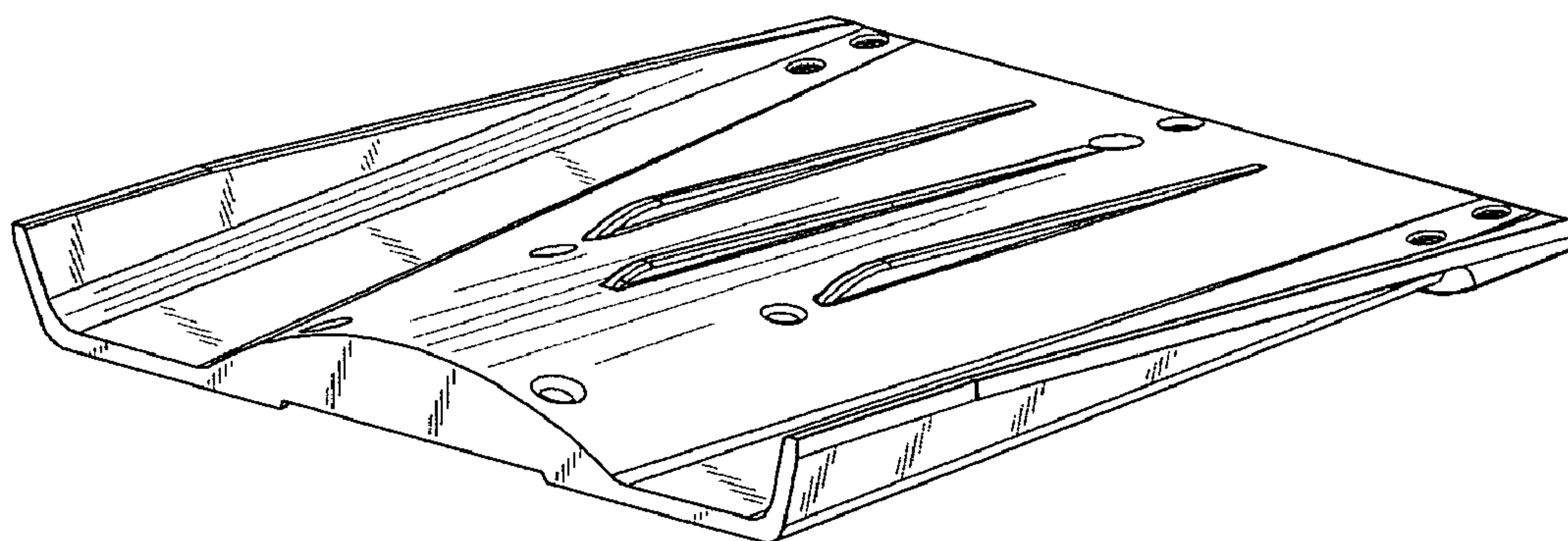


FIG. 2

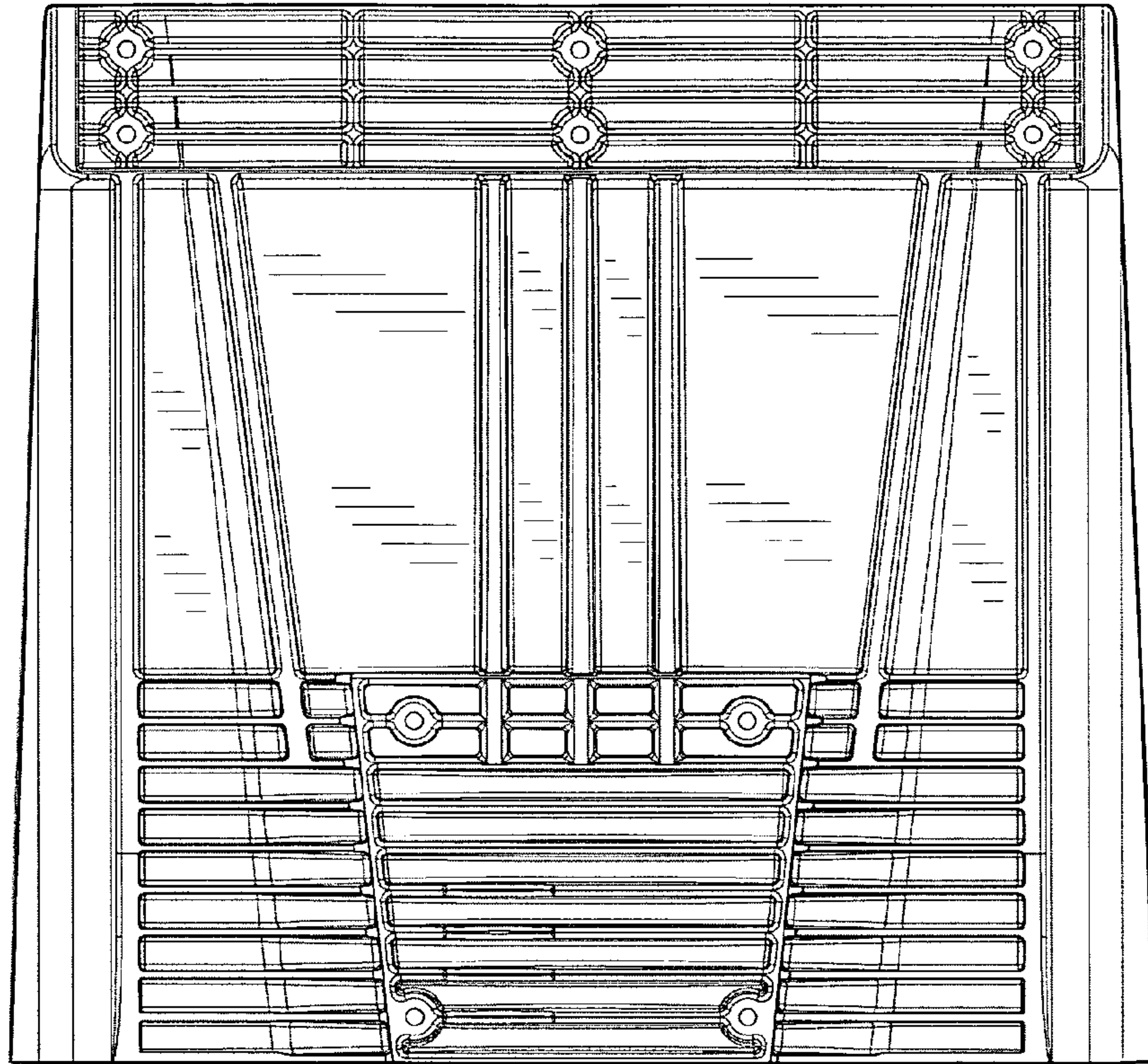


FIG. 3

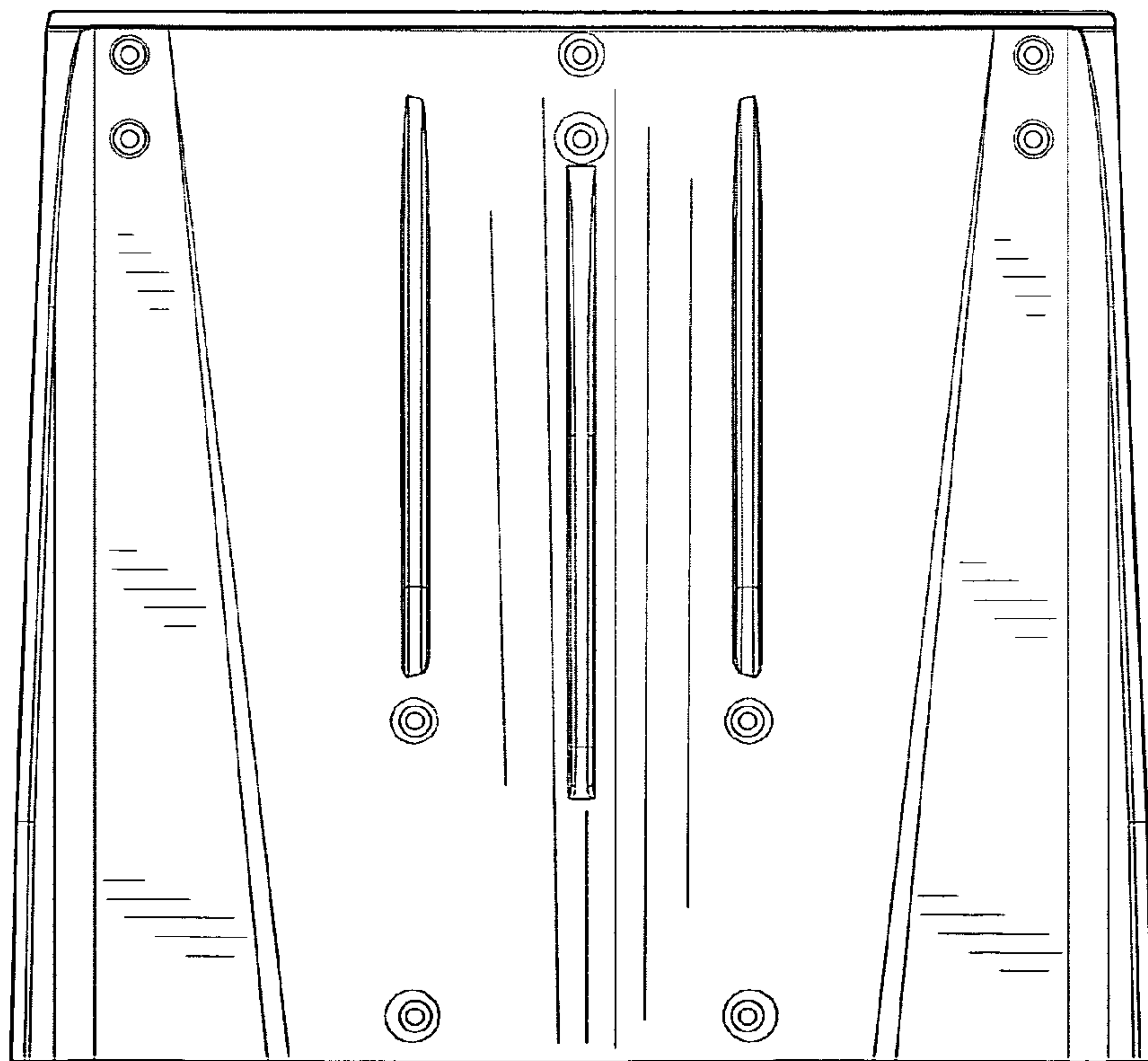


FIG. 4

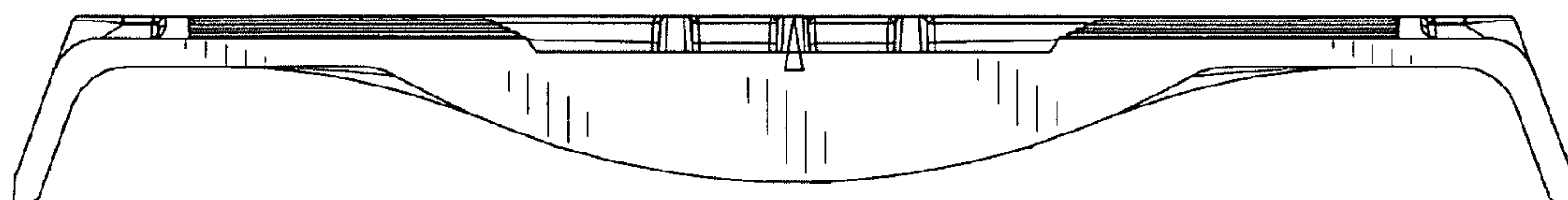


FIG. 5

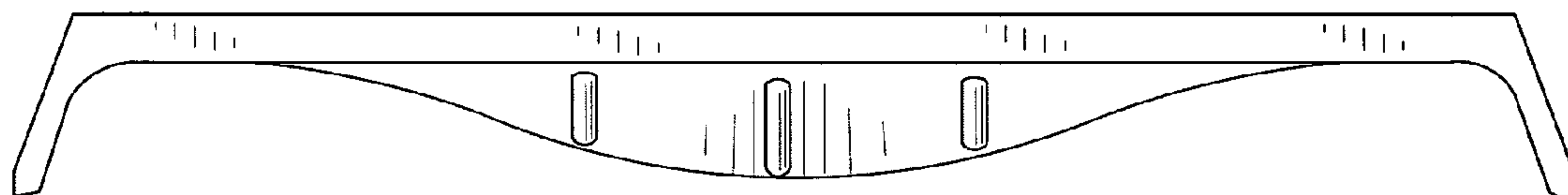


FIG. 6

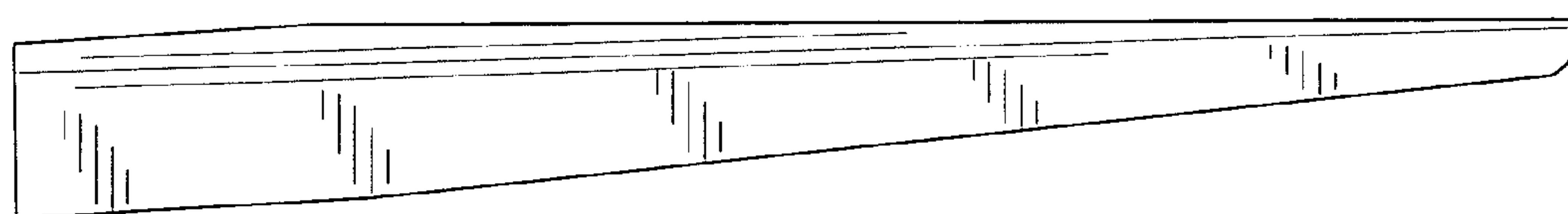


FIG. 7

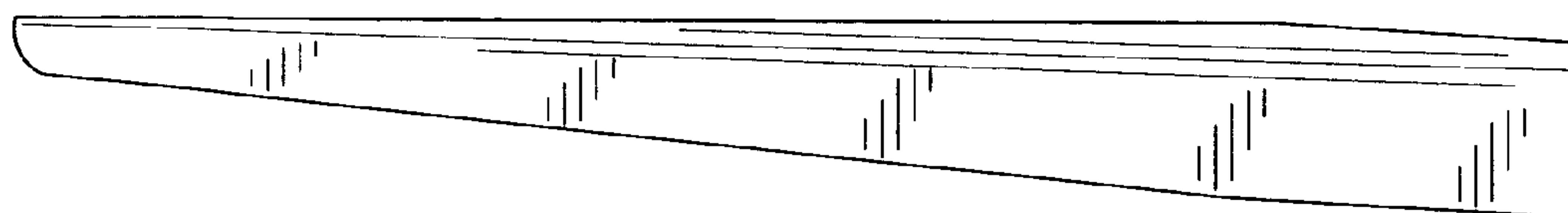


FIG. 8