



US00D573937S

(12) **United States Design Patent**  
**Tureaud et al.**

(10) **Patent No.:** **US D573,937 S**  
(45) **Date of Patent:** **\*\* Jul. 29, 2008**

(54) **PORTION OF A VEHICLE**

(75) Inventors: **Thomas F. Tureaud**, Fairfax, VA (US);  
**Daniel N. Dietz**, Alexandria, VA (US);  
**Stacy J. Hills**, Ashburn, VA (US);  
**Douglas E. Humphreys**, Great Falls, VA  
(US); **Alexander V. Roup**, Sterling, VA  
(US)

(73) Assignee: **Vehicle Control Technologies, Inc.**,  
Reston, VA (US)

(\*\*) Term: **14 Years**

(21) Appl. No.: **29/292,924**

(22) Filed: **Nov. 1, 2007**

(51) **LOC (8) Cl.** ..... **12-06**  
(52) **U.S. Cl.** ..... **D12/317**  
(58) **Field of Classification Search** ..... D12/300,  
D12/308, 309, 316, 317; D21/760, 769,  
D21/770, 803, 810; 114/300, 312, 315, 322,  
114/330-333, 337, 253, 274-280; 440/6,  
440/33; 441/55, 56, 65, 74, 79, 129, 136,  
441/66, 75

See application file for complete search history.

(56) **References Cited**

U.S. PATENT DOCUMENTS

3,647,253 A 3/1972 Hettinger et al.  
D242,615 S \* 12/1976 Henning ..... D12/308  
D290,108 S \* 6/1987 Wolfe ..... D12/316  
D291,299 S 8/1987 Hawkes  
4,705,331 A 11/1987 Britton  
D304,923 S 12/1989 Pado  
D308,851 S \* 6/1990 Templeman ..... D12/317  
D323,808 S 2/1992 DeSantis  
5,120,099 A 6/1992 Fletcher  
D328,732 S \* 8/1992 Whitley, II ..... D12/317  
D331,738 S \* 12/1992 Simpson ..... D12/317  
5,307,754 A \* 5/1994 Leonardis ..... 114/274  
D350,326 S \* 9/1994 Griffin ..... D12/316  
D352,023 S \* 11/1994 Corn ..... D12/317  
D363,914 S \* 11/1995 Corn ..... D12/317

D371,411 S \* 7/1996 Albritton ..... D21/770  
5,686,694 A 11/1997 Hillenbrand et al.  
D390,618 S \* 2/1998 Wilson ..... D21/803  
D394,633 S \* 5/1998 Gauthier et al. .... D12/316

(Continued)

OTHER PUBLICATIONS

Bondaryk et al. (presumably), "Automated Launch and Recovery of  
UUVs and Towed Assets from USSV", date is before Nov. 1, 2007,  
pp. 1-5/Frames 1-20, Brooke Ocean Technology Ltd.

(Continued)

*Primary Examiner*—Holly H. Baynham

*Assistant Examiner*—Cynthia M Chin

(74) *Attorney, Agent, or Firm*—Womble, Carlyle Sandridge  
& Rice, PLLC

(57) **CLAIM**

The ornamental design for a portion of a vehicle, as shown  
and described.

**DESCRIPTION**

FIG. 1 is a top perspective view of a portion of a vehicle in  
accordance with the present invention.

FIG. 2 is a rear perspective view of the portion of the vehicle  
of FIG. 1;

FIG. 3 is a front elevation view of the portion of the vehicle of  
FIG. 1;

FIG. 4 is a top plan view of the portion of the vehicle of FIG.  
1;

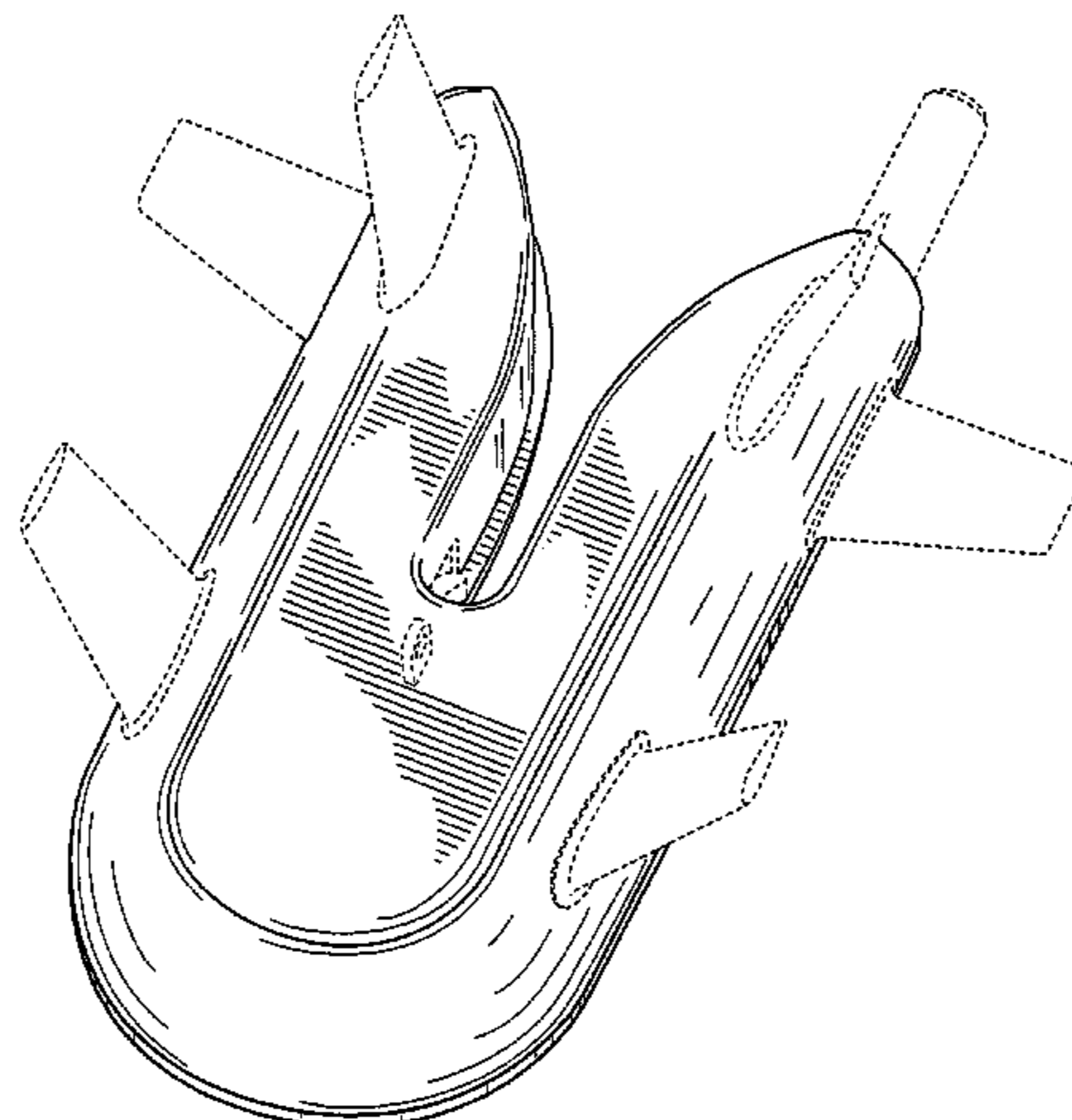
FIG. 5 is a bottom plan of the portion of the vehicle of FIG. 1;

FIG. 6 is a rear elevation view of the portion of the vehicle of  
FIG. 1; and,

FIG. 7 is a left elevation view of the portion of the vehicle of  
FIG. 1, wherein the right elevation view of the underwater  
vehicle of FIG. 1 is a mirror image of FIG. 7.

The broken lines shown herein are for illustrative purposes  
and form no part of the claimed design.

**1 Claim, 7 Drawing Sheets**



# US D573,937 S

Page 2

---

## U.S. PATENT DOCUMENTS

5,786,545 A 7/1998 Hillenbrand  
D400,624 S \* 11/1998 Hornsby et al. .... D21/769  
D440,619 S \* 4/2001 Chiang ..... D21/803  
6,390,012 B1 5/2002 Watt et al.  
D466,175 S \* 11/2002 Katz et al. .... D21/803  
6,600,695 B1 7/2003 Nugent et al.  
D487,245 S \* 3/2004 Geriene et al. .... D12/308  
6,779,475 B1 8/2004 Crane et al.  
D505,104 S 5/2005 Osumi et al.  
6,969,030 B1 11/2005 Jones et al.  
7,000,560 B2 2/2006 Wingett et al.  
7,010,401 B1 3/2006 Richburg et al.  
7,021,231 B2 4/2006 Smart  
7,051,664 B2 5/2006 Robichaud et al.

7,104,505 B2 9/2006 Tchoryk et al.  
D537,142 S \* 2/2007 Eagan ..... D21/803  
D549,297 S \* 8/2007 Eagan ..... D21/803

## OTHER PUBLICATIONS

U.S. Appl. No. 11/982,041, filed Nov. 1, 2007; In re: Thomas F. Tureaud et al., entitled "Docking Apparatus ND Methods".  
U.S. Appl. No. 29/292,923, filed Nov. 1, 2007; In re: Thomas F. Tureaud et al., entitled "Underwater Vehicle".  
U.S. Appl. No. 29/292,925, filed Nov. 1, 2007; In re: Thomas F. Tureaud et al., entitled "Underwater Vehicle".  
U.S. Appl. No. 29/292,926, filed Nov. 1, 2007; In re: Thomas F. Tureaud et al., entitled "Docking Slot Portion of an Object".

\* cited by examiner

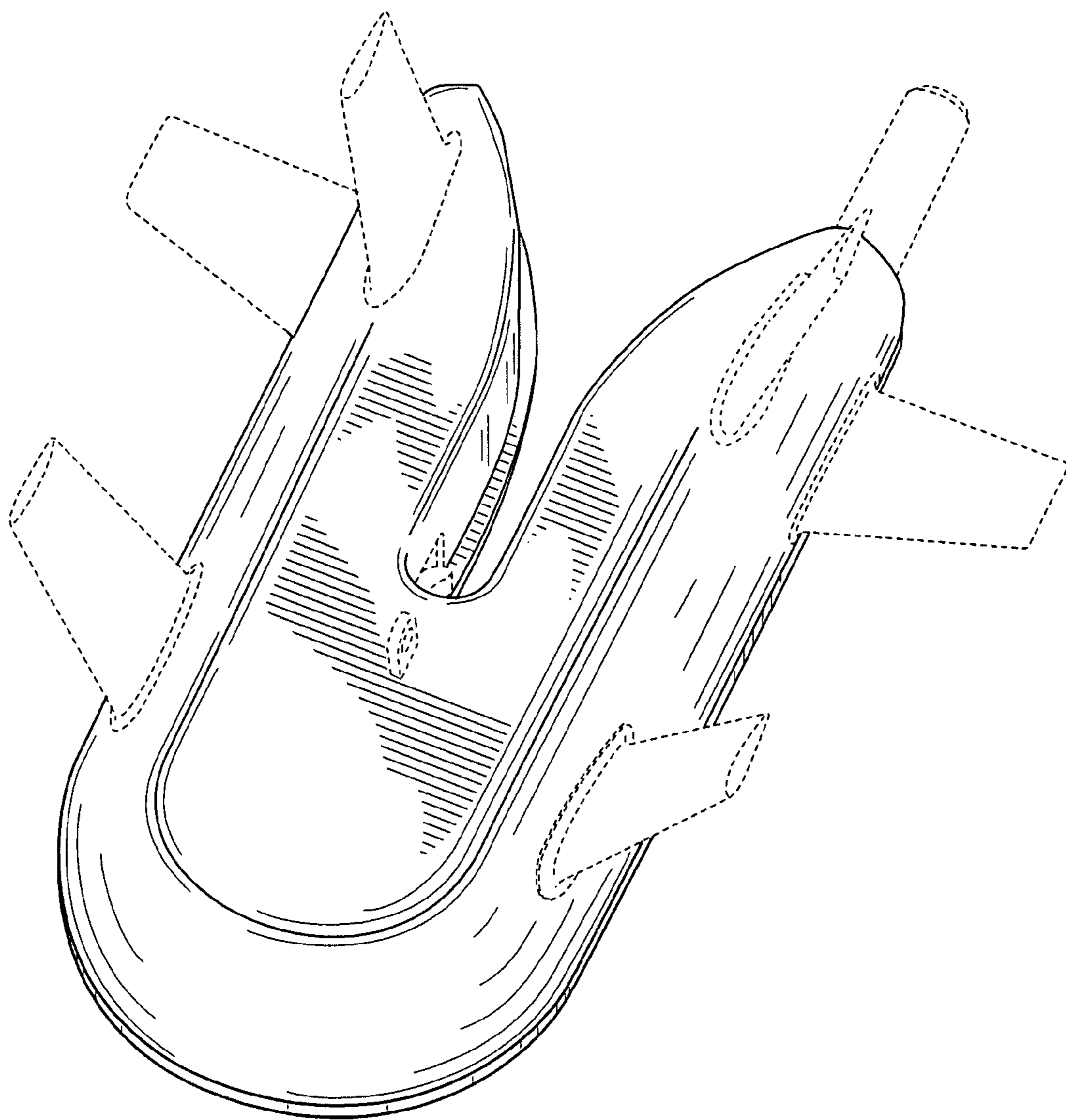


FIG. 1

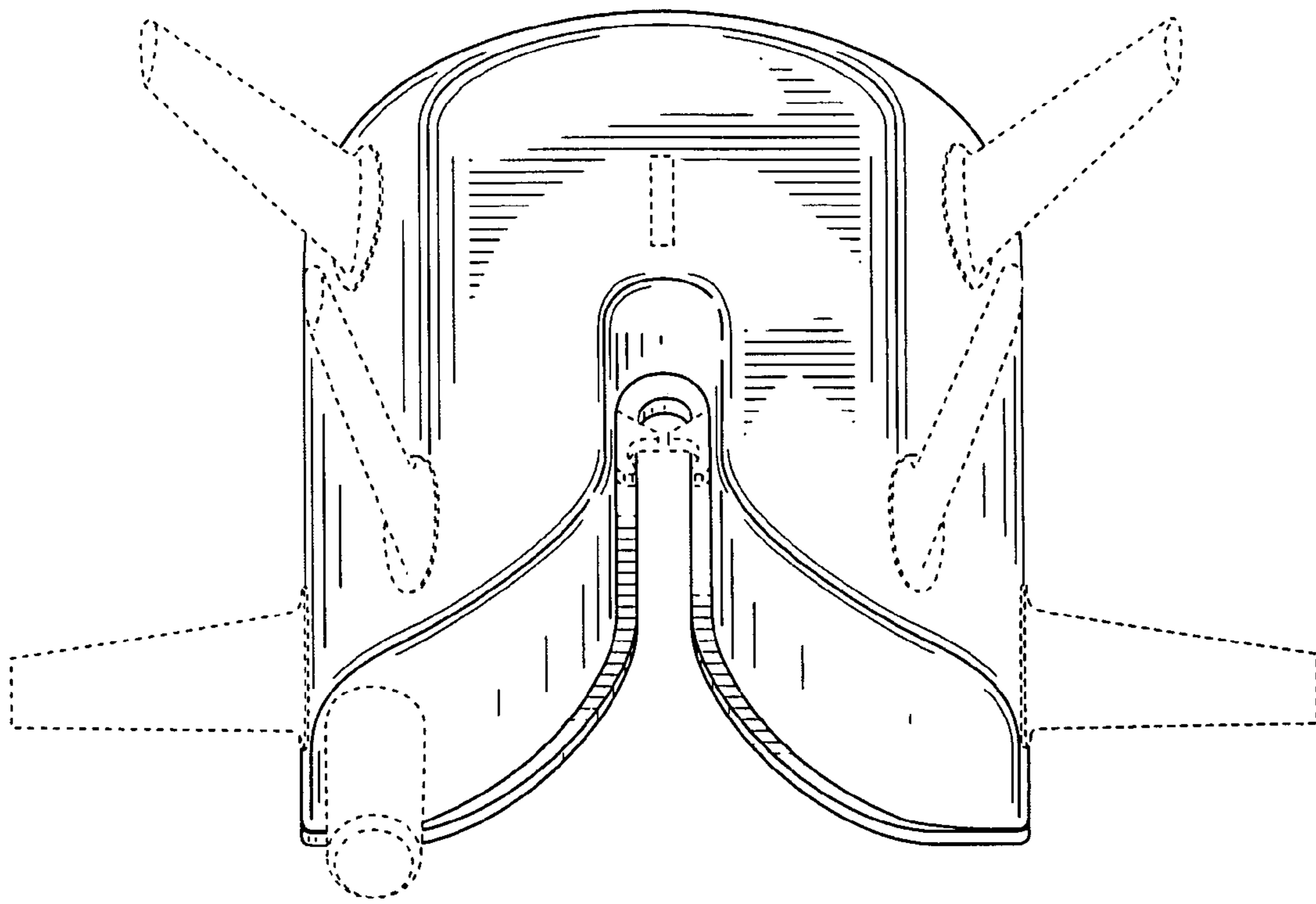
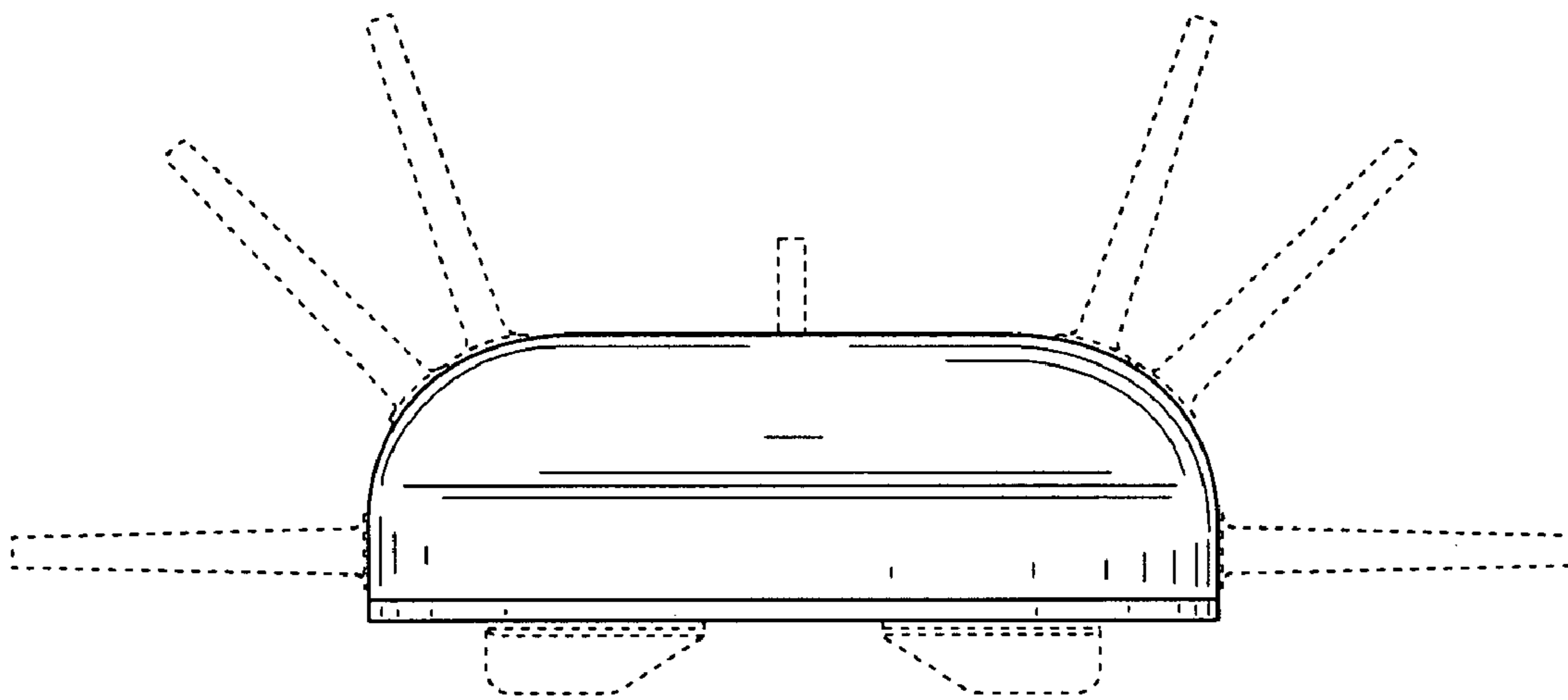


FIG. 2



**FIG. 3**

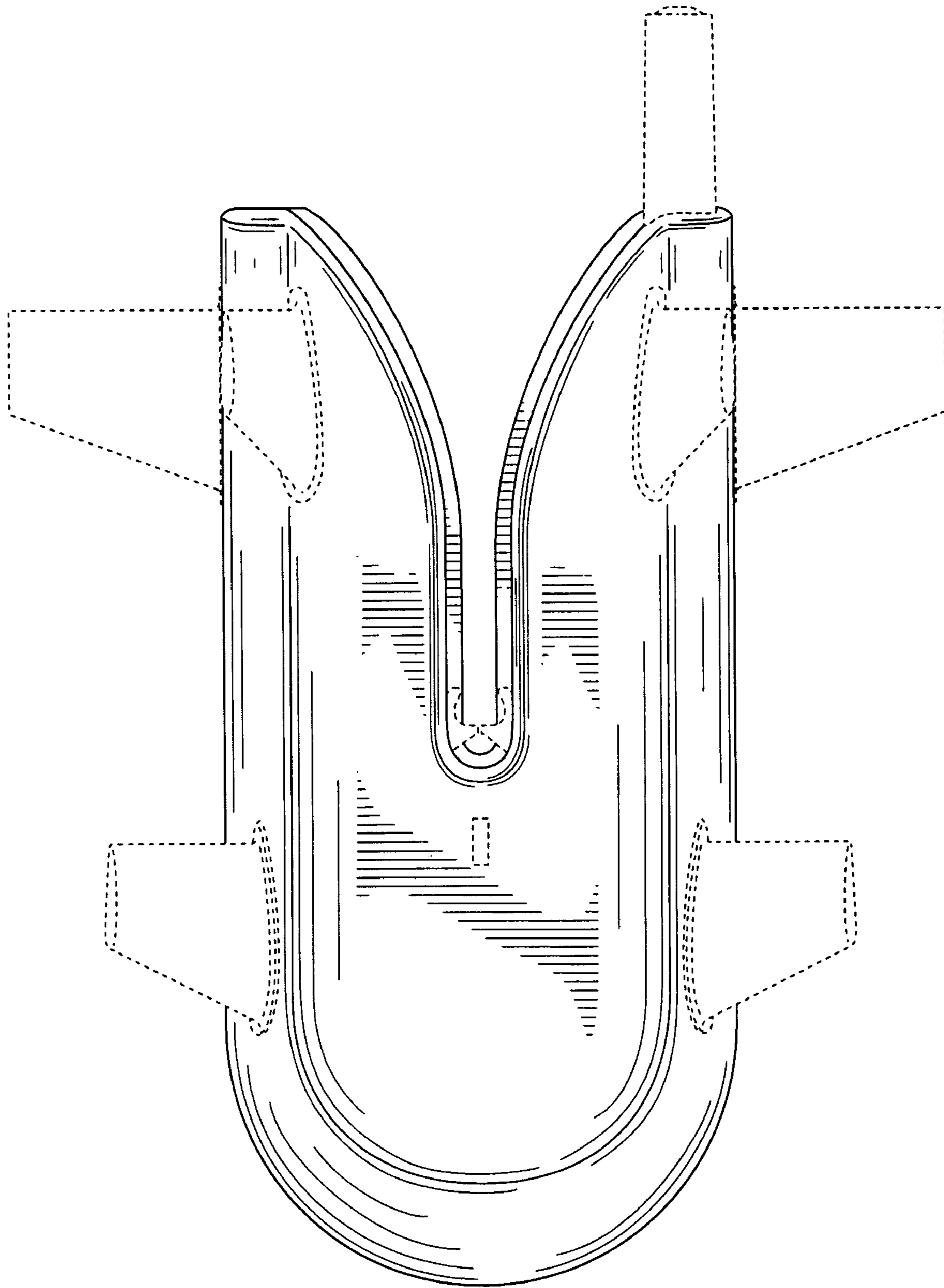


FIG. 4

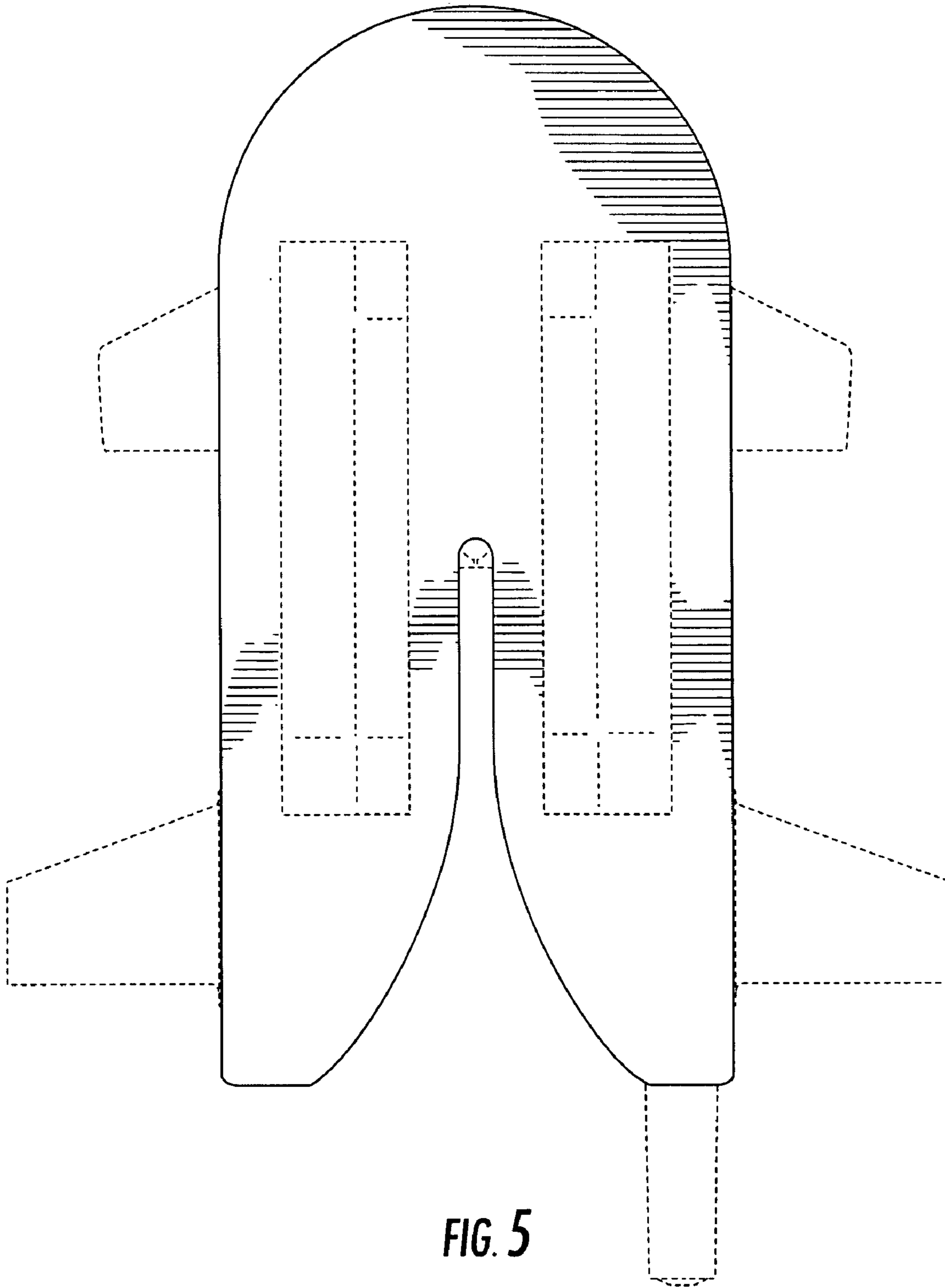
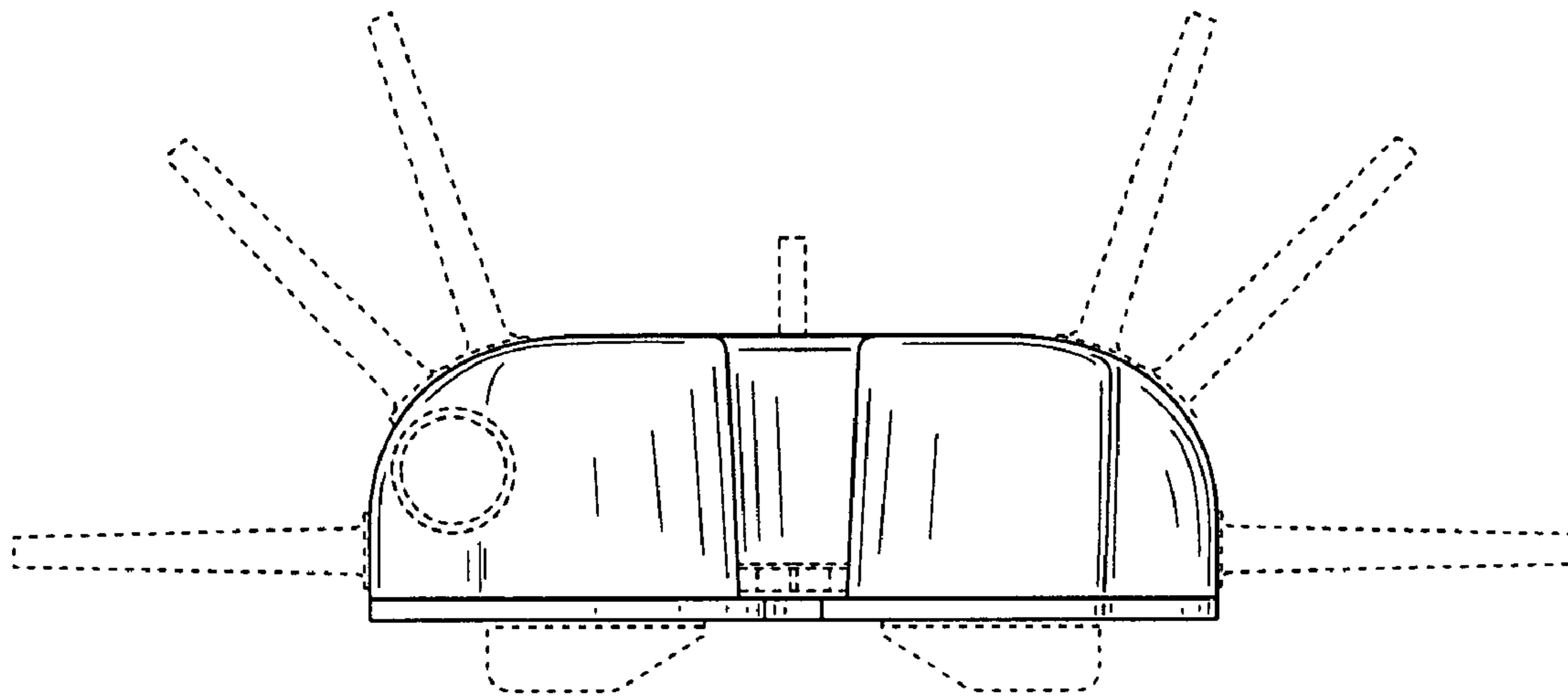


FIG. 5



**FIG. 6**



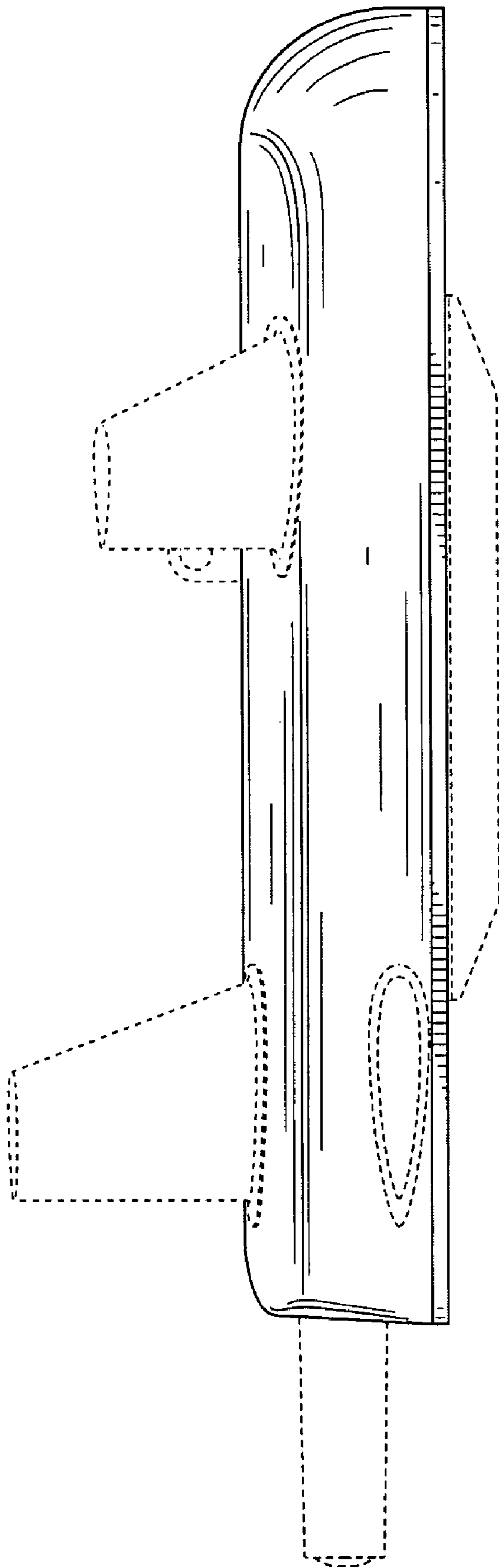


FIG. 7