



US00D573936S

(12) **United States Design Patent**
Jin

(10) **Patent No.:** **US D573,936 S**
(45) **Date of Patent:** **** Jul. 29, 2008**

(54) **CONTROL LEVER FOR WATERCRAFT**

(75) Inventor: **Zheyi Jin**, Hannover (DE)

(73) Assignee: **Bosch Rexroth Pneumatics GmbH**,
Laatzen (DE)

(**) Term: **14 Years**

(21) Appl. No.: **29/278,663**

(22) Filed: **Apr. 5, 2007**

(51) **LOC (8) Cl.** **12-06**

(52) **U.S. Cl.** **D12/317**

(58) **Field of Classification Search** D12/300,
D12/301, 303–315, 317, 318, 174, 178–180;
D13/162, 134, 168, 169, 173; D10/49; 74/469,
74/473.1–473.12, 473.19, 473.2, 480 B, 491;
440/84–87

See application file for complete search history.

(56) **References Cited**

U.S. PATENT DOCUMENTS

D159,457 S *	7/1950	Wood et al.	D13/169
4,119,186 A *	10/1978	Choudhury et al.	477/113
D272,900 S *	3/1984	Obst	D12/317
4,801,282 A *	1/1989	Ogawa et al.	440/84
5,062,516 A *	11/1991	Prince	477/98
5,967,867 A *	10/1999	Rinzaki et al.	440/87

6,047,609 A *	4/2000	Brower et al.	74/473.19
6,280,269 B1 *	8/2001	Gaynor	440/84
D554,080 S *	10/2007	Iekura	D13/168
D554,596 S *	11/2007	Iekura	D13/168

* cited by examiner

Primary Examiner—Holly H. Baynham

Assistant Examiner—Cynthia M Chin

(74) *Attorney, Agent, or Firm*—Henry M. Feiereisen; Ursula B. Day

(57) **CLAIM**

The ornamental design for a control lever for watercraft, as shown and described.

DESCRIPTION

FIG. 1 is a perspective view of a control lever for watercraft showing my new design;

FIG. 2 is a front elevational view thereof, the rear view being a mirror image thereof;

FIG. 3 is an elevational view of one side thereof; with the other side view being a mirror image thereof;

FIG. 4 is a top plan view thereof; and,

FIG. 5 is bottom plan view thereof.

The broken lines are for illustrative purposes only and form no part of the claimed design.

1 Claim, 5 Drawing Sheets

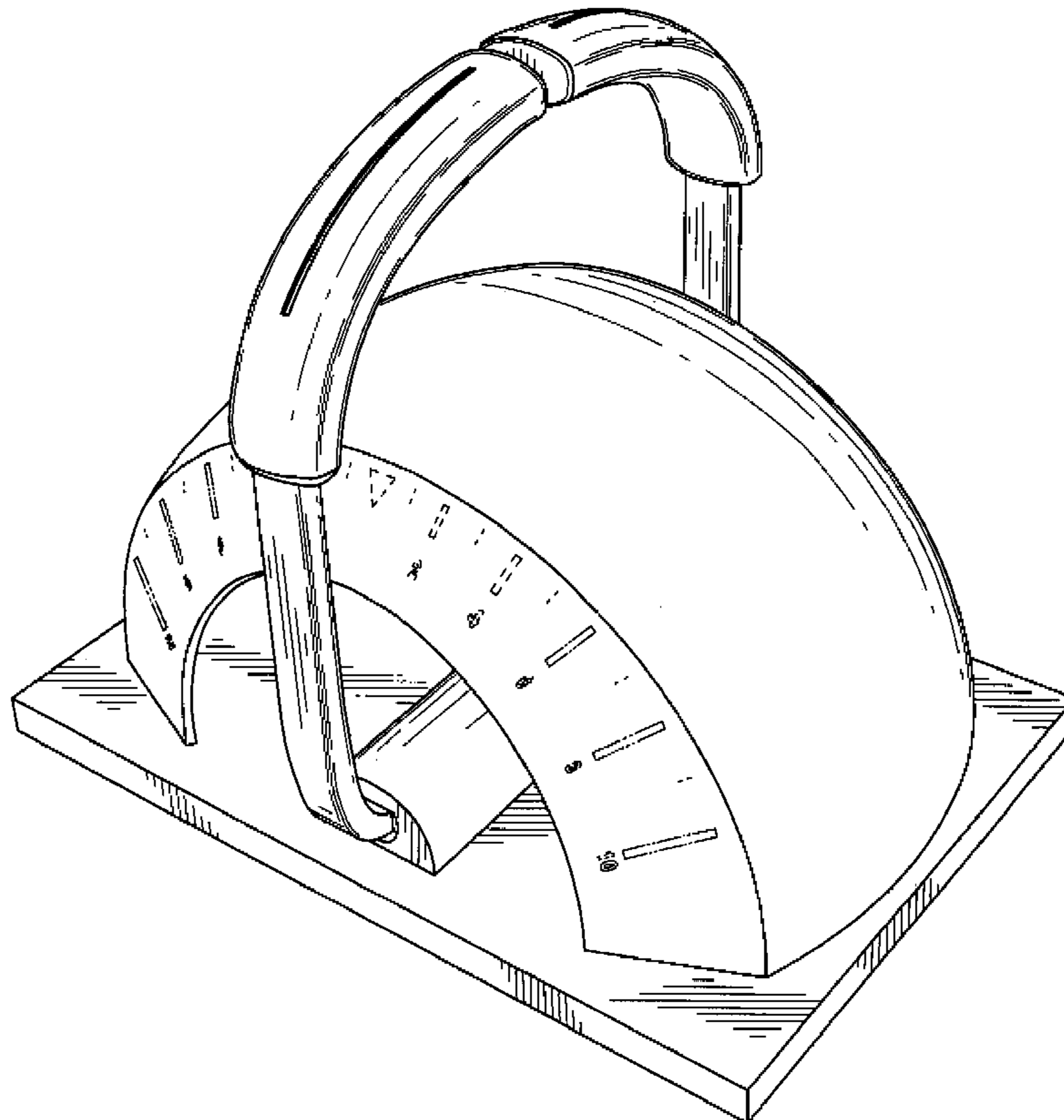


FIG. 1

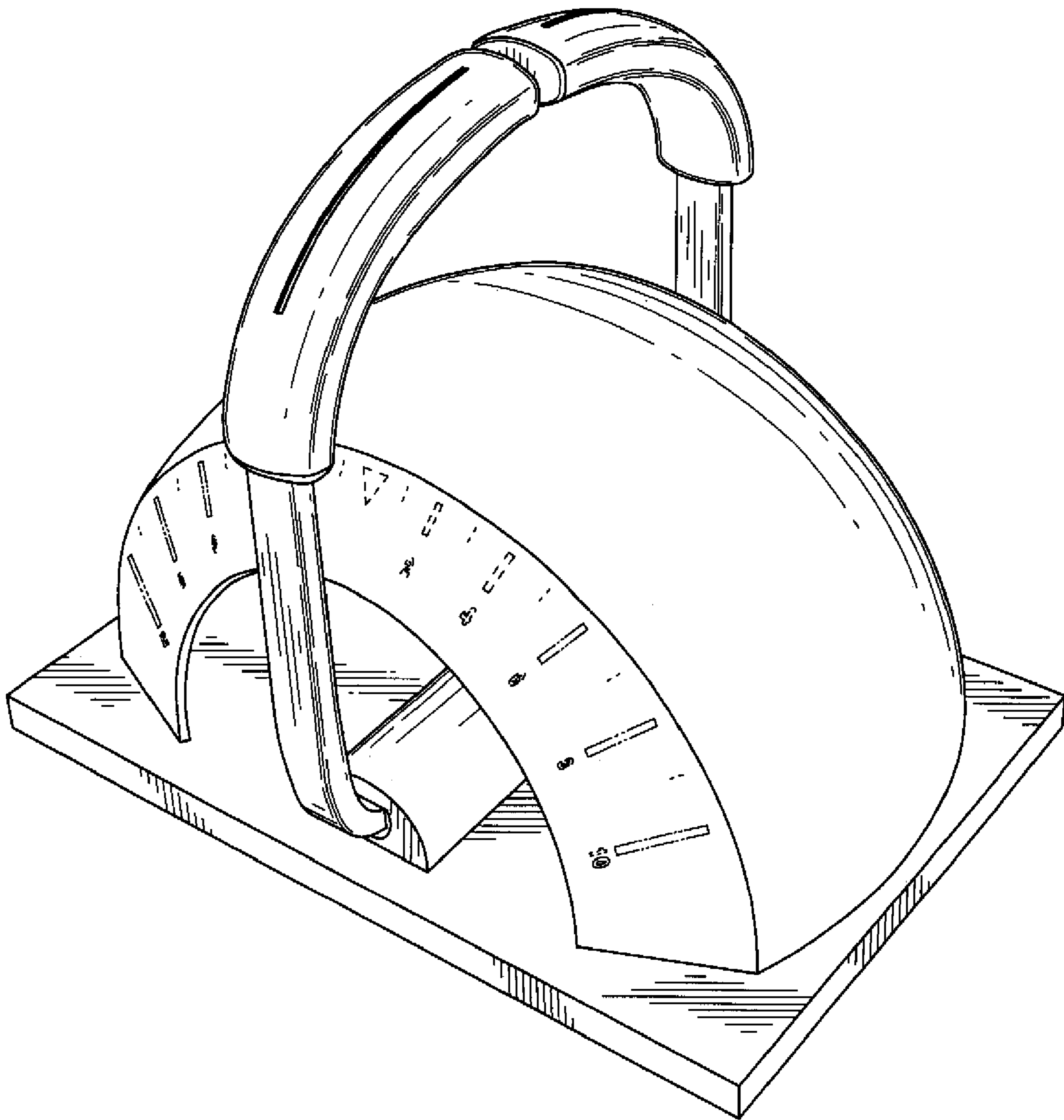


FIG. 2

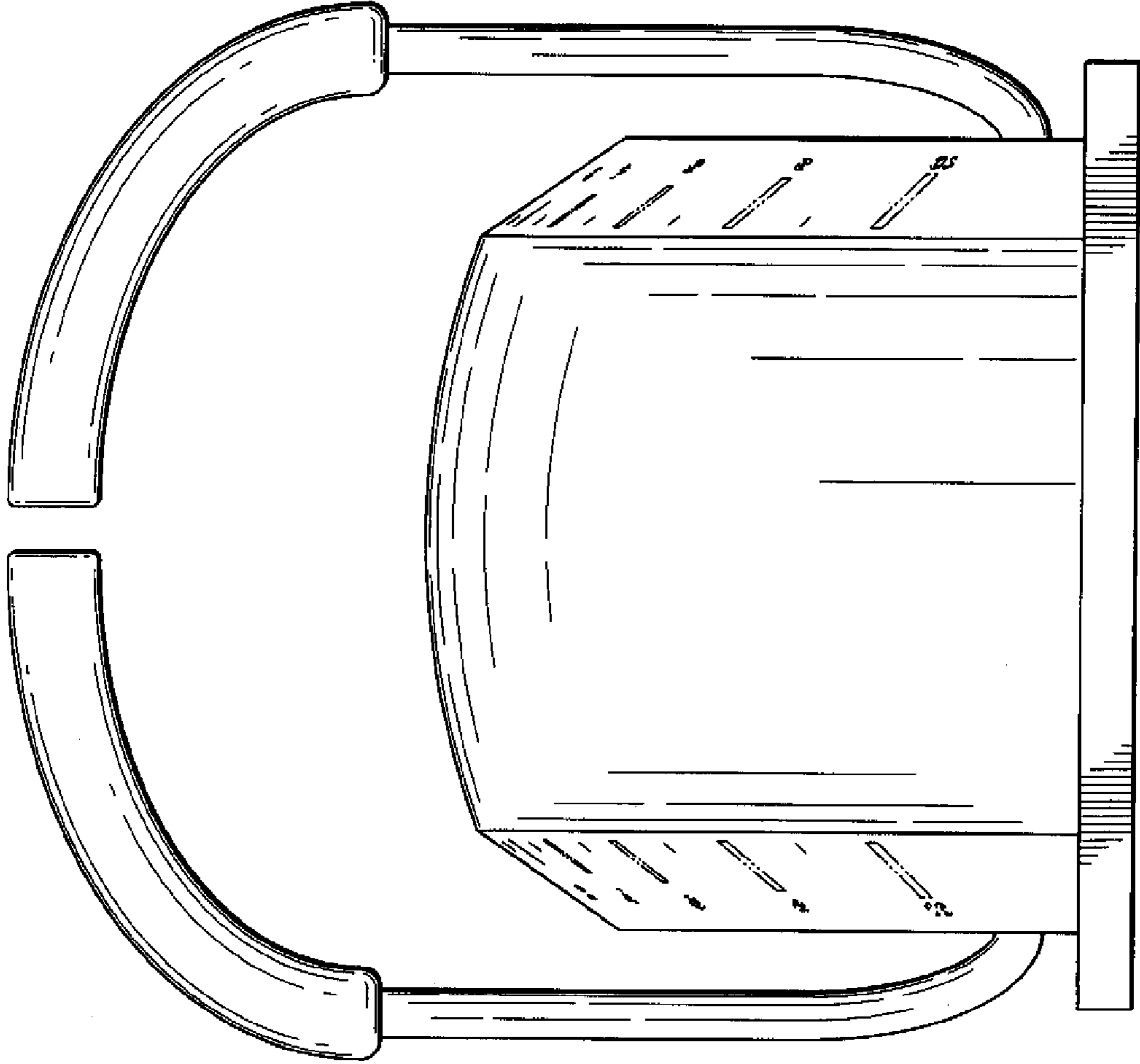


FIG. 3

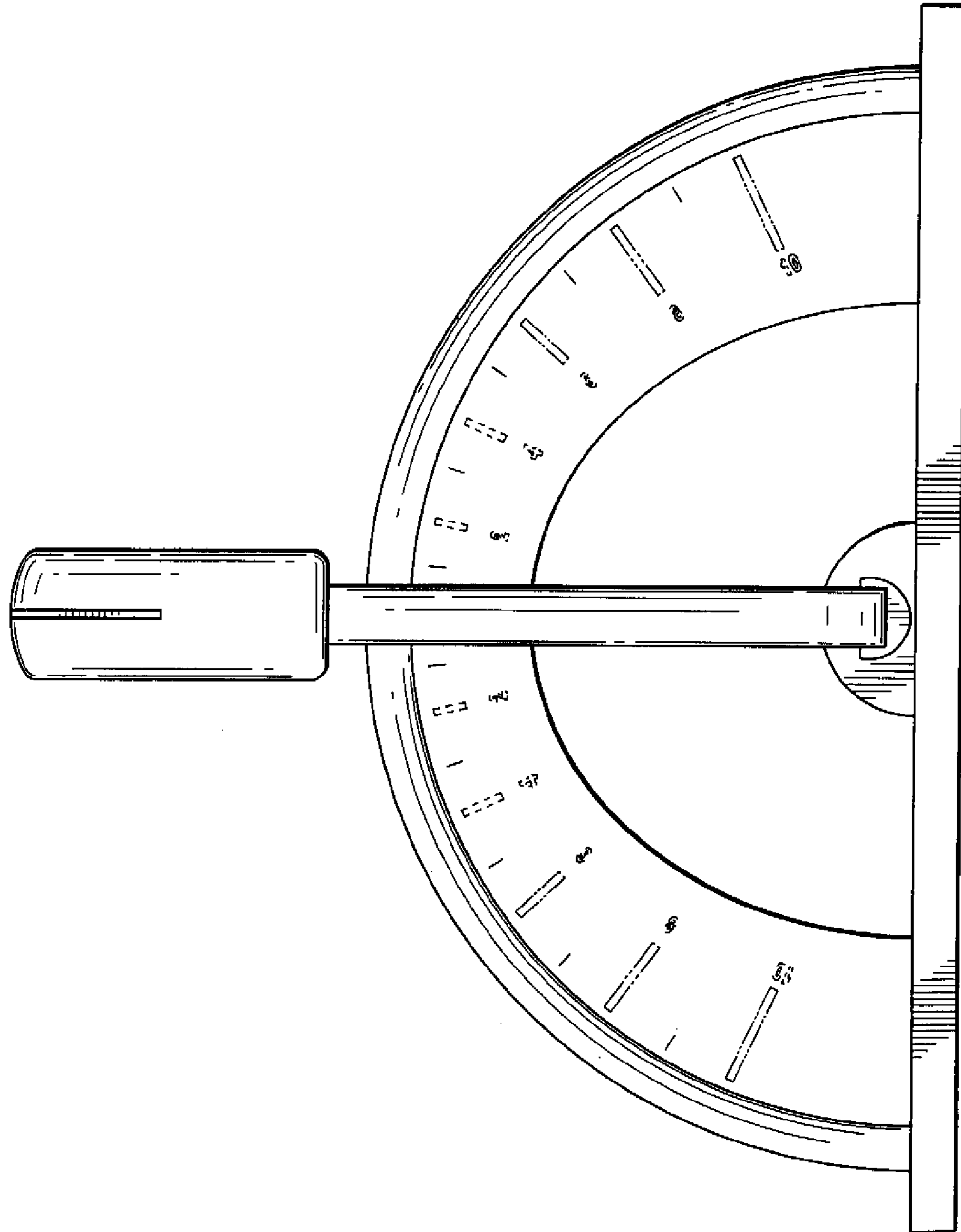


FIG. 4

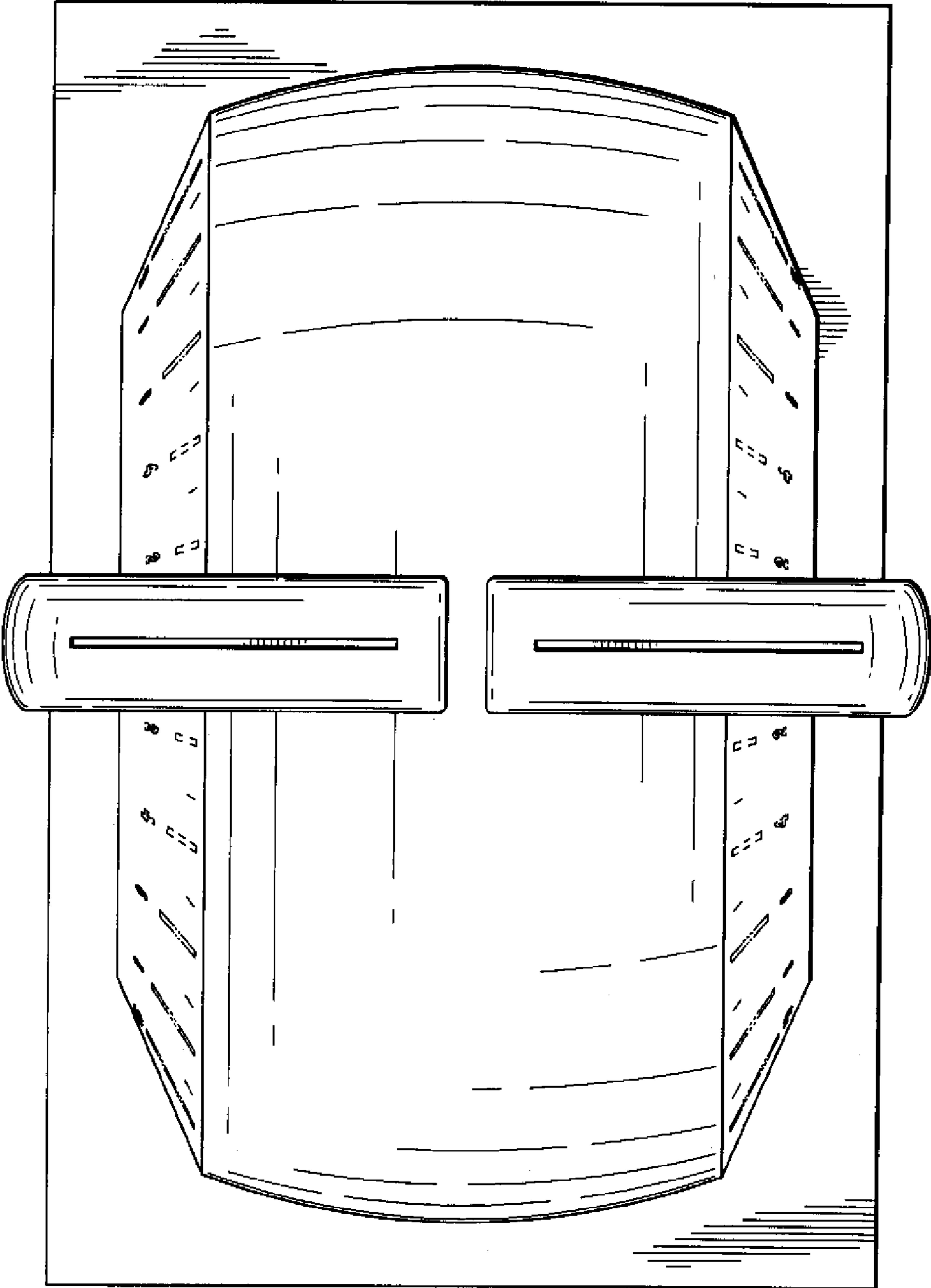


FIG. 5

