



US00D573935S

(12) **United States Design Patent**  
**Tureaud et al.**

(10) **Patent No.:** **US D573,935 S**  
(45) **Date of Patent:** **\*\* Jul. 29, 2008**

(54) **UNDERWATER VEHICLE**

(75) Inventors: **Thomas F. Tureaud**, Fairfax, VA (US);  
**Daniel N. Dietz**, Alexandria, VA (US);  
**Stacy J. Hills**, Ashburn, VA (US);  
**Douglas E. Humphreys**, Great Falls, VA (US);  
**Alexander V. Roup**, Sterling, VA (US)

(73) Assignee: **Vehicle Control Technologies, Inc.**,  
Reston, VA (US)

(\*\*) Term: **14 Years**

(21) Appl. No.: **29/292,923**

(22) Filed: **Nov. 1, 2007**

(51) **LOC (8) Cl.** ..... **12-06**

(52) **U.S. Cl.** ..... **D12/308; D12/317**

(58) **Field of Classification Search** ..... D12/300,  
D12/308, 309, 316, 317; D21/769, 770;  
114/300, 312, 315, 322, 330-333, 337, 274-280;  
440/6, 33

See application file for complete search history.

(56) **References Cited**

**U.S. PATENT DOCUMENTS**

3,466,798	A *	9/1969	Guglielmi	.....	446/162
D217,744	S *	6/1970	Peterson	.....	D12/308
3,647,253	A	3/1972	Hettinger et al.		
3,650,234	A *	3/1972	Goudy	.....	114/315
D242,615	S *	12/1976	Henning	.....	D12/308
D291,299	S	8/1987	Hawkes		
4,705,331	A	11/1987	Britton		
D304,923	S	12/1989	Pado		
D323,808	S	2/1992	DeSantis		
5,120,099	A	6/1992	Fletcher		
D328,732	S *	8/1992	Whitley, II	.....	D12/317
5,158,034	A *	10/1992	Hsu	.....	114/315
D331,738	S *	12/1992	Simpson	.....	D12/317

(Continued)

**OTHER PUBLICATIONS**

Bondaryk et al. (presumably), "Automated Launch and Recovery of UUVs and Towed Assets from USSV", date is before Nov. 1, 2007, pp. 1-5/Frames 1-20, Brooke Ocean Technology Ltd.  
U.S. Appl. No. 11/982,041, filed Nov. 1, 2007; In re: Thomas F. Tureaud et al., entitled "Docking Apparatus ND Methods".  
U.S. Appl. No. 29/292,925, filed Nov. 1, 2007; In re: Thomas F. Tureaud et al., entitled "Underwater Vehicle".  
U.S. Appl. No. 29/292,924, filed Nov. 1, 2007; In re: Thomas F. Tureaud et al., entitled "Portion of a Vehicle".  
U.S. Appl. No. 29/292,926, filed Nov. 1, 2007; In re: Thomas F. Tureaud et al., entitled "Docking Slot Portion of an Object".

*Primary Examiner*—Holly H. Baynham

*Assistant Examiner*—Cynthia M Chin

(74) *Attorney, Agent, or Firm*—Womble Carlyle Sandridge & Rice, PLLC

(57) **CLAIM**

The ornamental design for an underwater vehicle, as shown and described.

**DESCRIPTION**

FIG. 1 is a top perspective view of an underwater vehicle in accordance with the present invention.

FIG. 2 is a rear perspective view of the underwater vehicle of FIG. 1;

FIG. 3 is a front elevation view of the underwater vehicle of FIG. 1;

FIG. 4 is a top plan view of the underwater vehicle of FIG. 1;

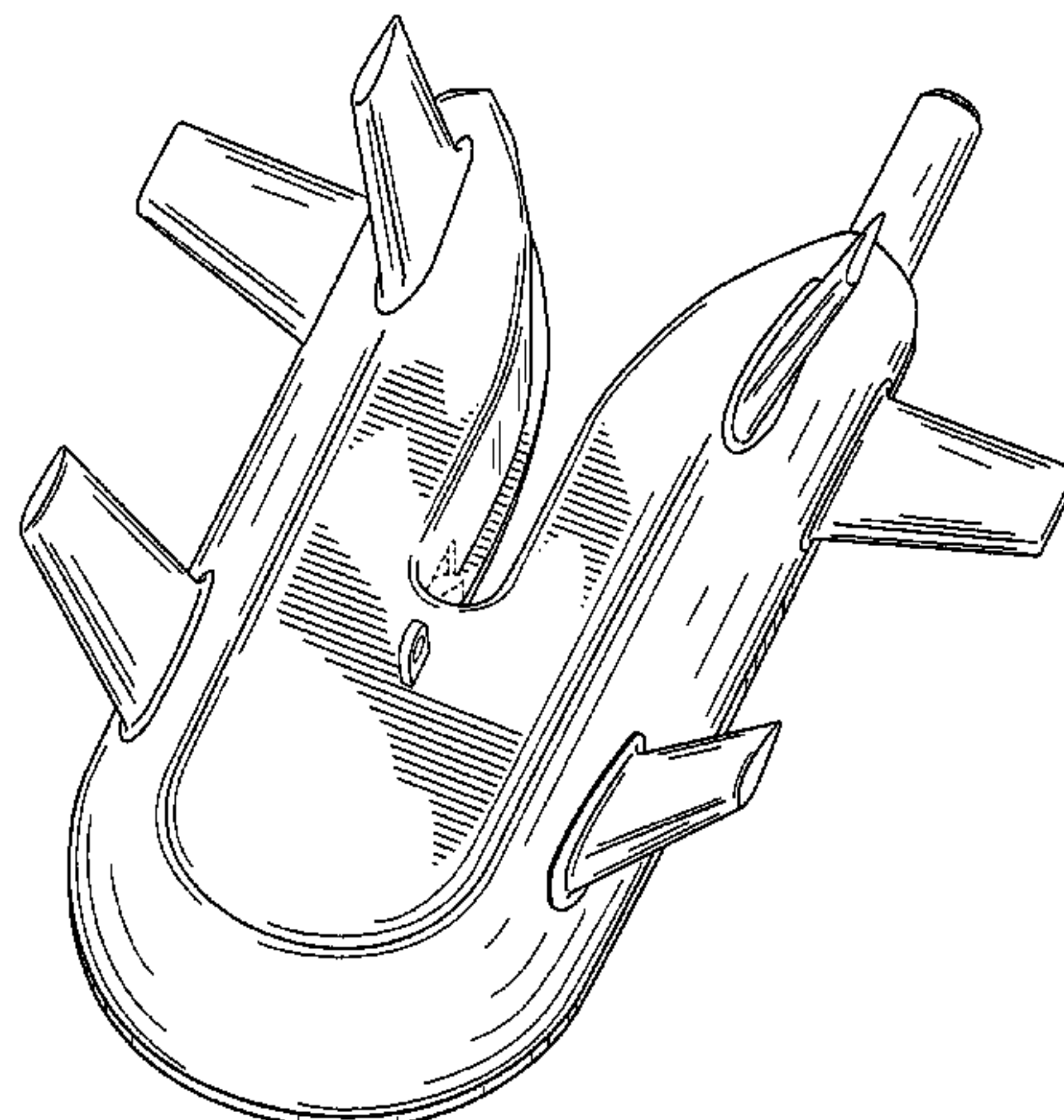
FIG. 5 is a bottom plan of the underwater vehicle of FIG. 1;

FIG. 6 is a rear elevation view of the underwater vehicle of FIG. 1; and,

FIG. 7 is a left elevation view of the underwater vehicle of FIG. 1, wherein the right elevation view of the underwater vehicle of FIG. 1 is a mirror image of FIG. 7.

The broken lines shown herein are for illustrative purposes and form no part of the claimed design.

**1 Claim, 7 Drawing Sheets**



# US D573,935 S

Page 2

---

## U.S. PATENT DOCUMENTS

5,396,860	A *	3/1995	Cheng .....	114/315	6,779,475	B1	8/2004	Crane et al.	
D371,411	S *	7/1996	Albritton .....	D21/770	D505,104	S	5/2005	Osumi et al.	
5,568,783	A *	10/1996	Ditchfield .....	114/242	6,969,030	B1	11/2005	Jones et al.	
5,686,694	A	11/1997	Hillenbrand et al.		7,000,560	B2	2/2006	Wingett et al.	
5,704,817	A *	1/1998	Vaughn .....	440/33	7,010,401	B1	3/2006	Richburg et al.	
D394,633	S *	5/1998	Gauthier et al. ....	D12/316	7,021,231	B2	4/2006	Smart	
5,786,545	A	7/1998	Hillenbrand		7,051,664	B2	5/2006	Robichaud et al.	
6,390,012	B1	5/2002	Watt et al.		7,104,505	B2	9/2006	Tchoryk et al.	
6,600,695	B1	7/2003	Nugent et al.		2001/0025594	A1 *	10/2001	Daniels .....	114/315

\* cited by examiner

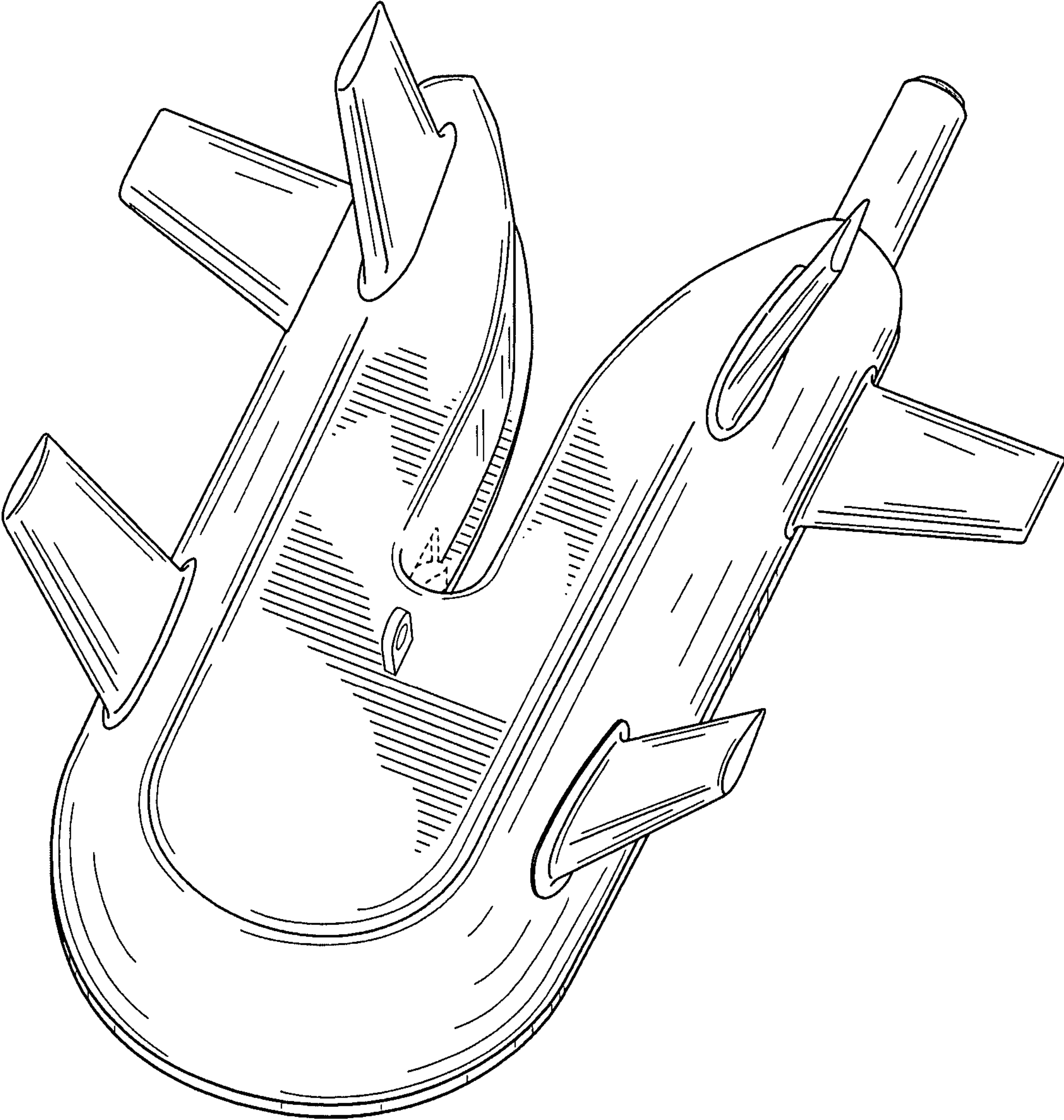


FIG. 1

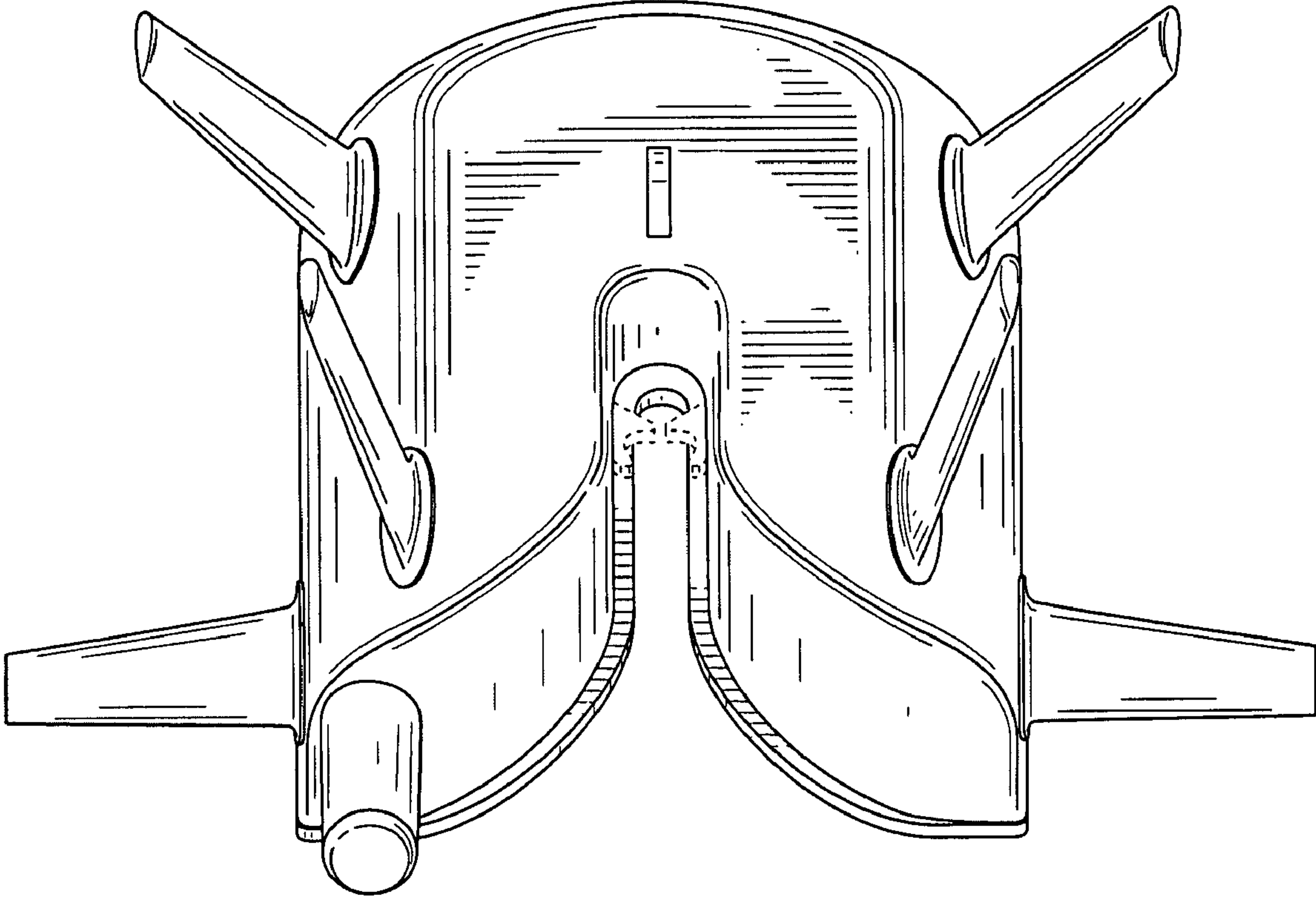
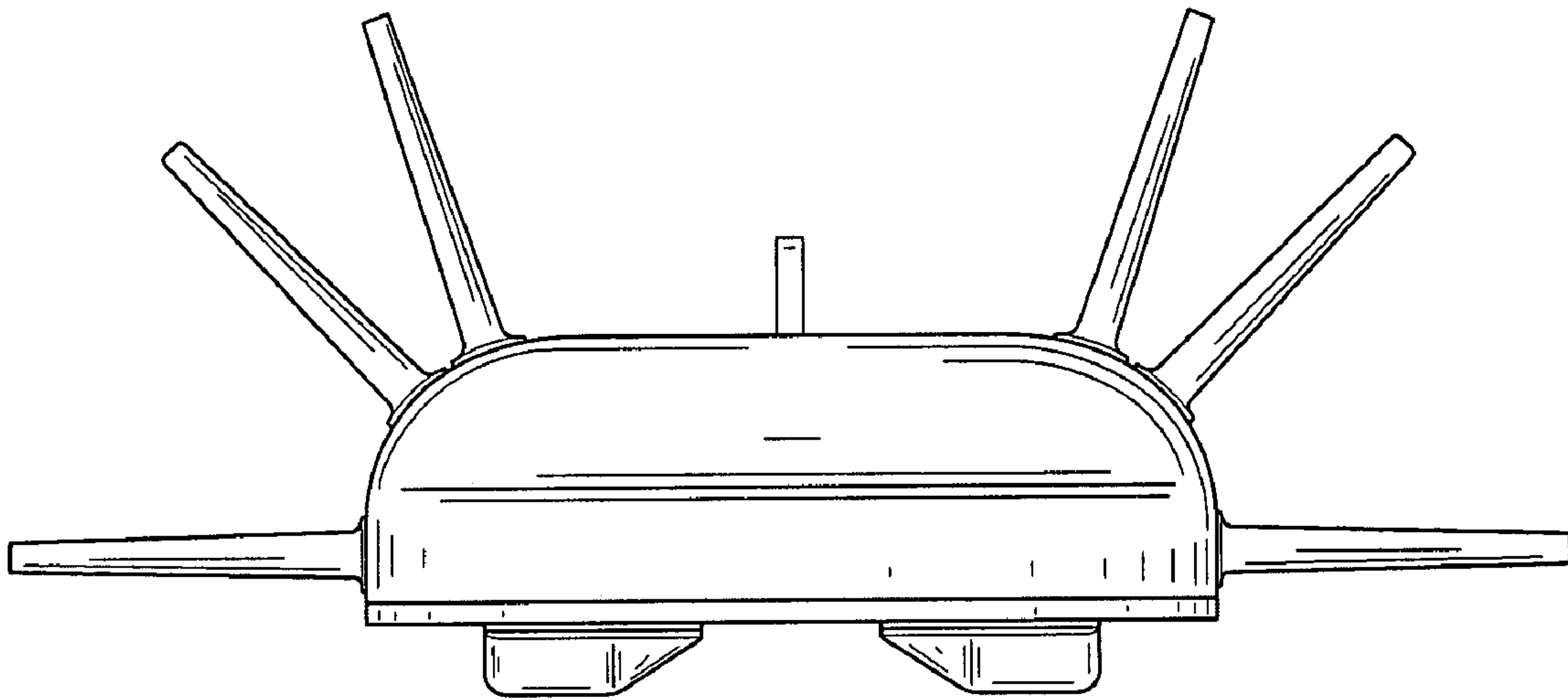


FIG. 2





**FIG. 3**

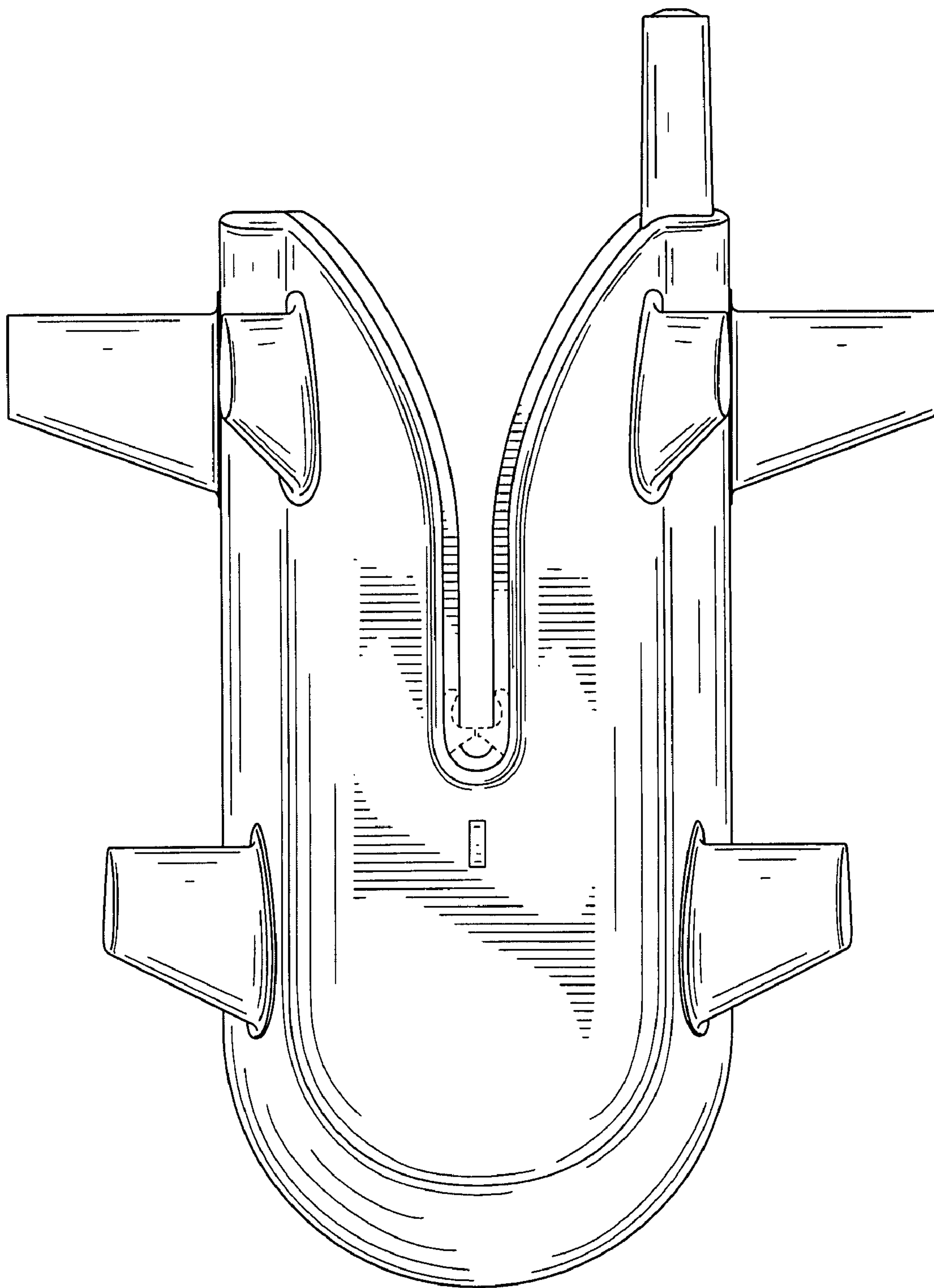


FIG. 4

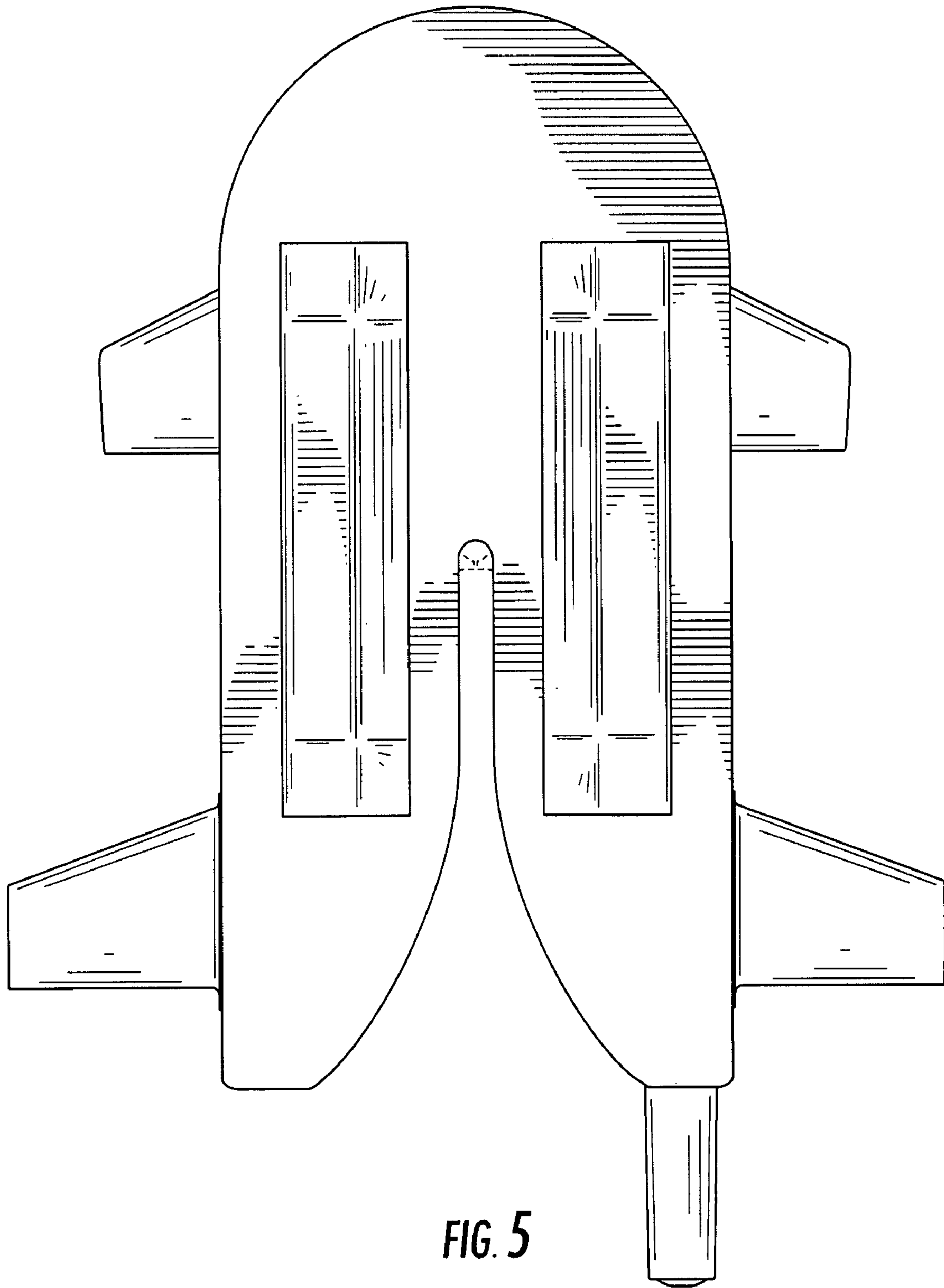
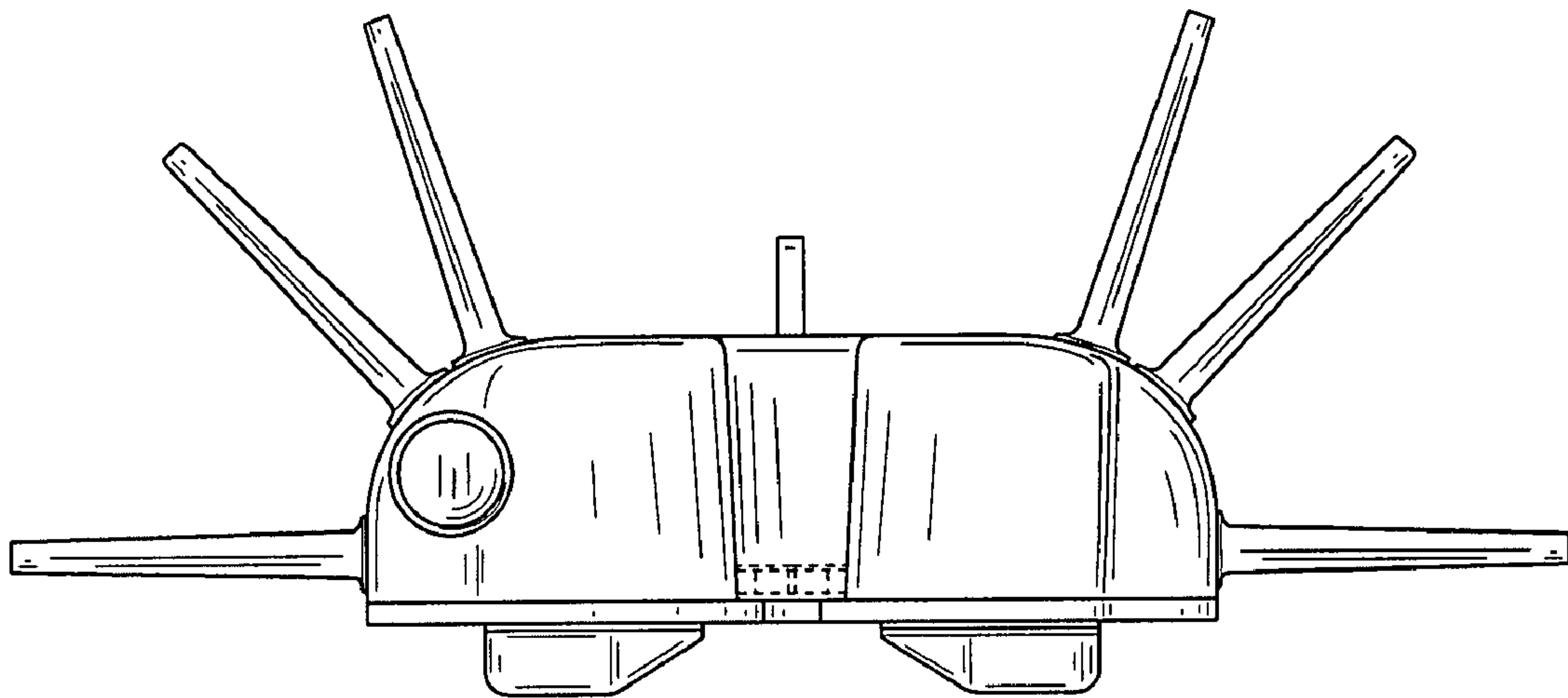


FIG. 5



**FIG. 6**



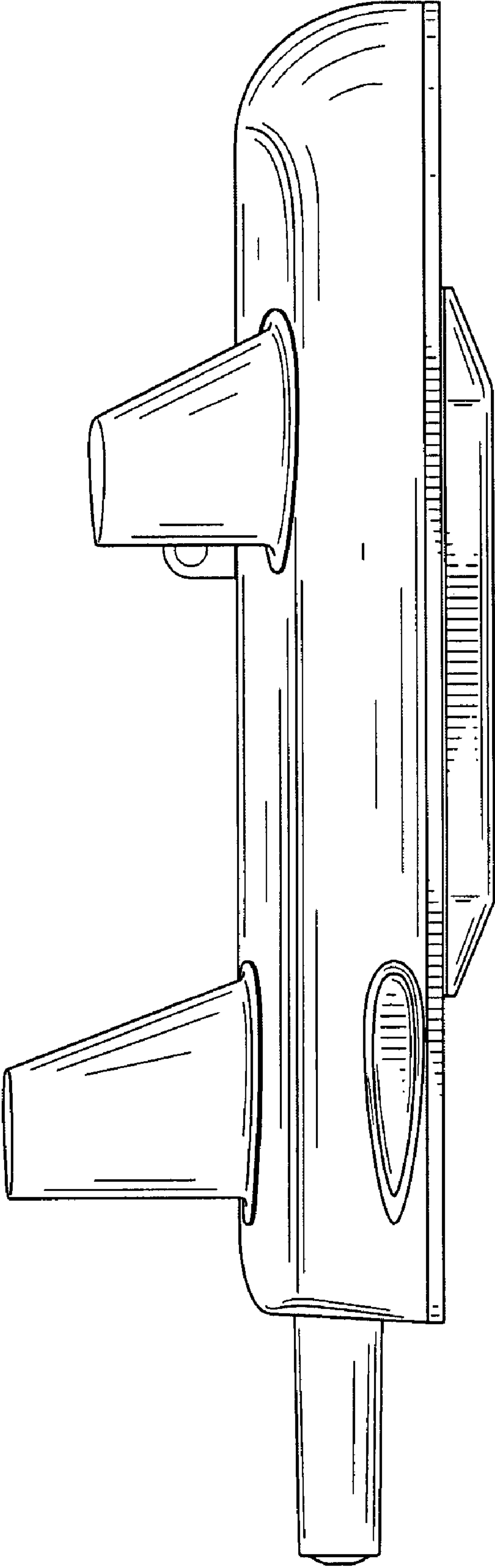


FIG. 7