



US00D573933S

(12) **United States Design Patent**
Young

(10) **Patent No.:** **US D573,933 S**
(45) **Date of Patent:** **** Jul. 29, 2008**

(54) **AUTOMOTIVE WHEEL**

(76) Inventor: **Philip B. Young**, 18400 E. Gale Ave.,
Industry, CA (US) 91748

(**) Term: **14 Years**

(21) Appl. No.: **29/293,310**

(22) Filed: **Nov. 16, 2007**

(51) **LOC (8) Cl.** **12-16**

(52) **U.S. Cl.** **D12/209**

(58) **Field of Classification Search** D12/204-213;
301/37.101, 64.101, 65, 64.201

See application file for complete search history.

(56) **References Cited**

U.S. PATENT DOCUMENTS

D441,709 S *	5/2001	Vian	D12/211
D470,812 S *	2/2003	Chu	D12/211
D477,267 S *	7/2003	Chung	D12/211
D495,649 S *	9/2004	Schell et al.	D12/209
D498,195 S *	11/2004	Guevara	D12/211
D500,722 S *	1/2005	Hussaini et al.	D12/209
D505,905 S *	6/2005	Walbey, Jr.	D12/209
D512,949 S *	12/2005	Ettensberger	D12/211
D516,492 S *	3/2006	Tirado	D12/211
D517,972 S *	3/2006	Tirado	D12/211

D524,215 S *	7/2006	Guevara	D12/211
D526,267 S *	8/2006	Looho	D12/211
D528,494 S *	9/2006	Osborne et al.	D12/209
D531,104 S *	10/2006	Kim	D12/209
D535,606 S *	1/2007	Hernandez	D12/211
D541,725 S *	5/2007	Musser	D12/211
D542,210 S *	5/2007	Plumer	D12/211
D550,139 S *	9/2007	Plumer	D12/209
D553,065 S *	10/2007	Martin	D12/209
D553,549 S *	10/2007	Martin	D12/209

* cited by examiner

Primary Examiner—Stacia Cadmus

(57) **CLAIM**

The ornamental design for an automotive wheel, as shown and described.

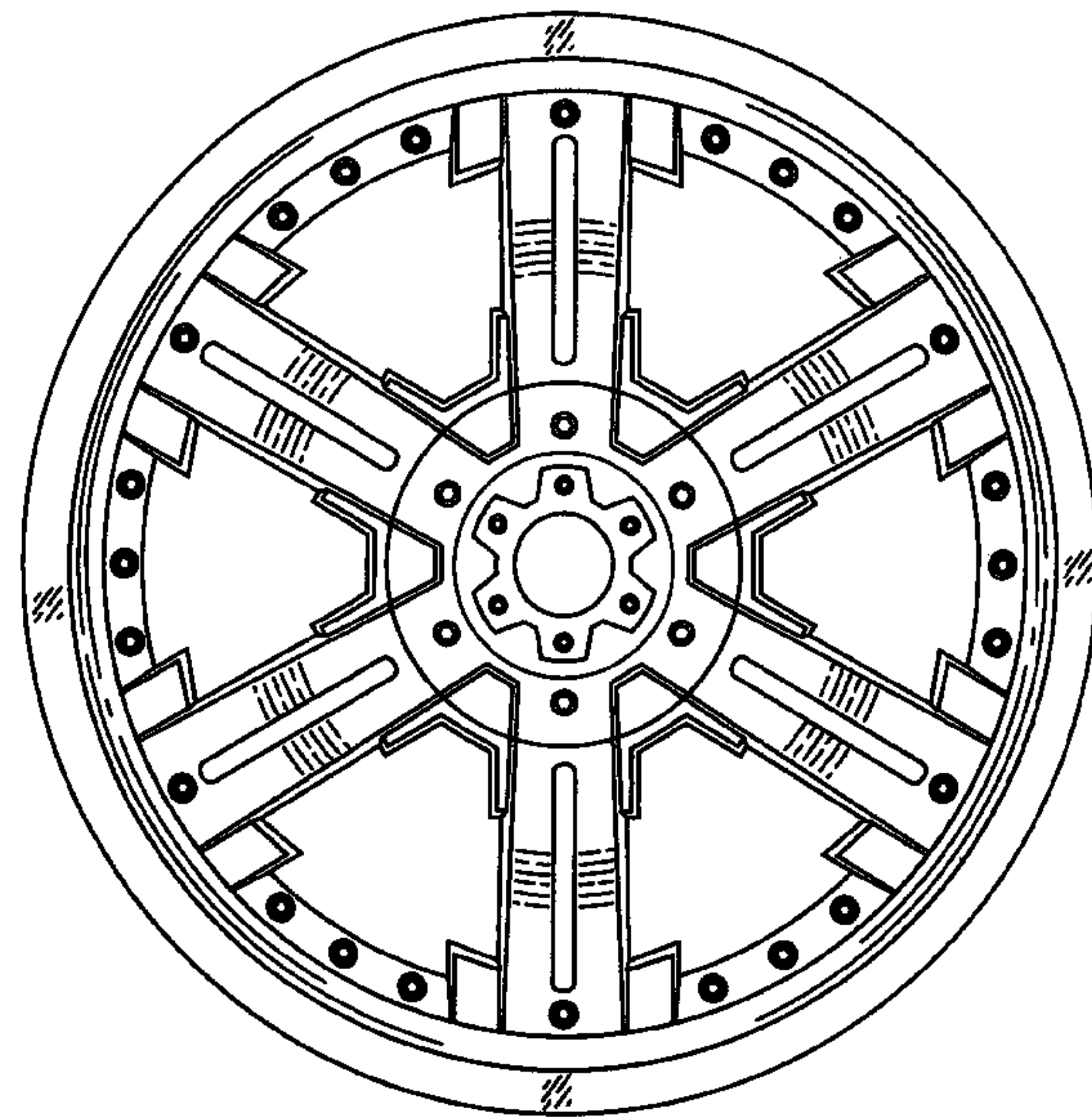
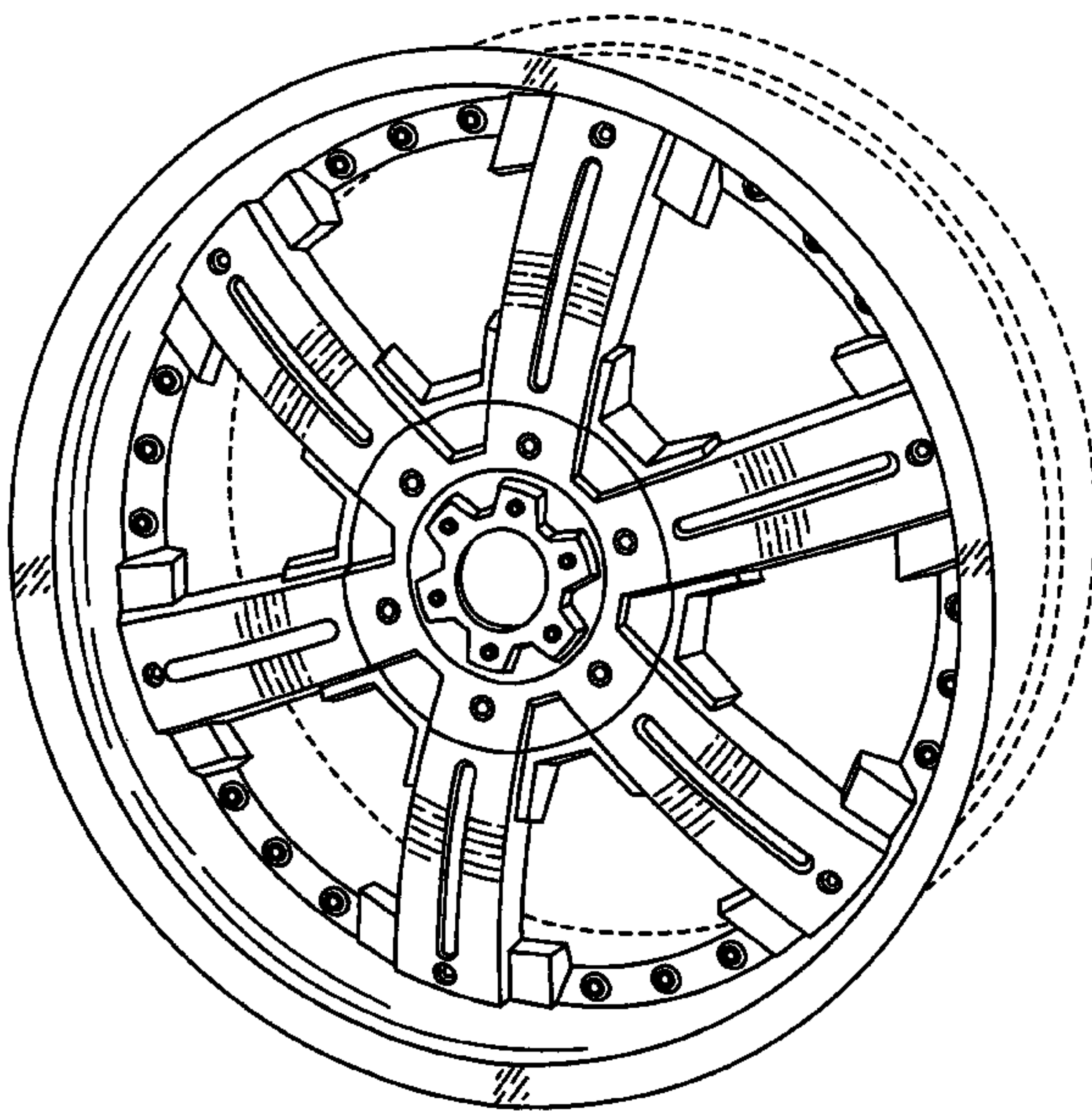
DESCRIPTION

FIG. 1 is a perspective view of an automotive wheel showing my new design; and,

FIG. 2 is a front elevational view of an automotive wheel showing the design herein described.

The broken lines showing the environment are for illustrative purposes only, and form no part of the claimed design.

1 Claim, 2 Drawing Sheets



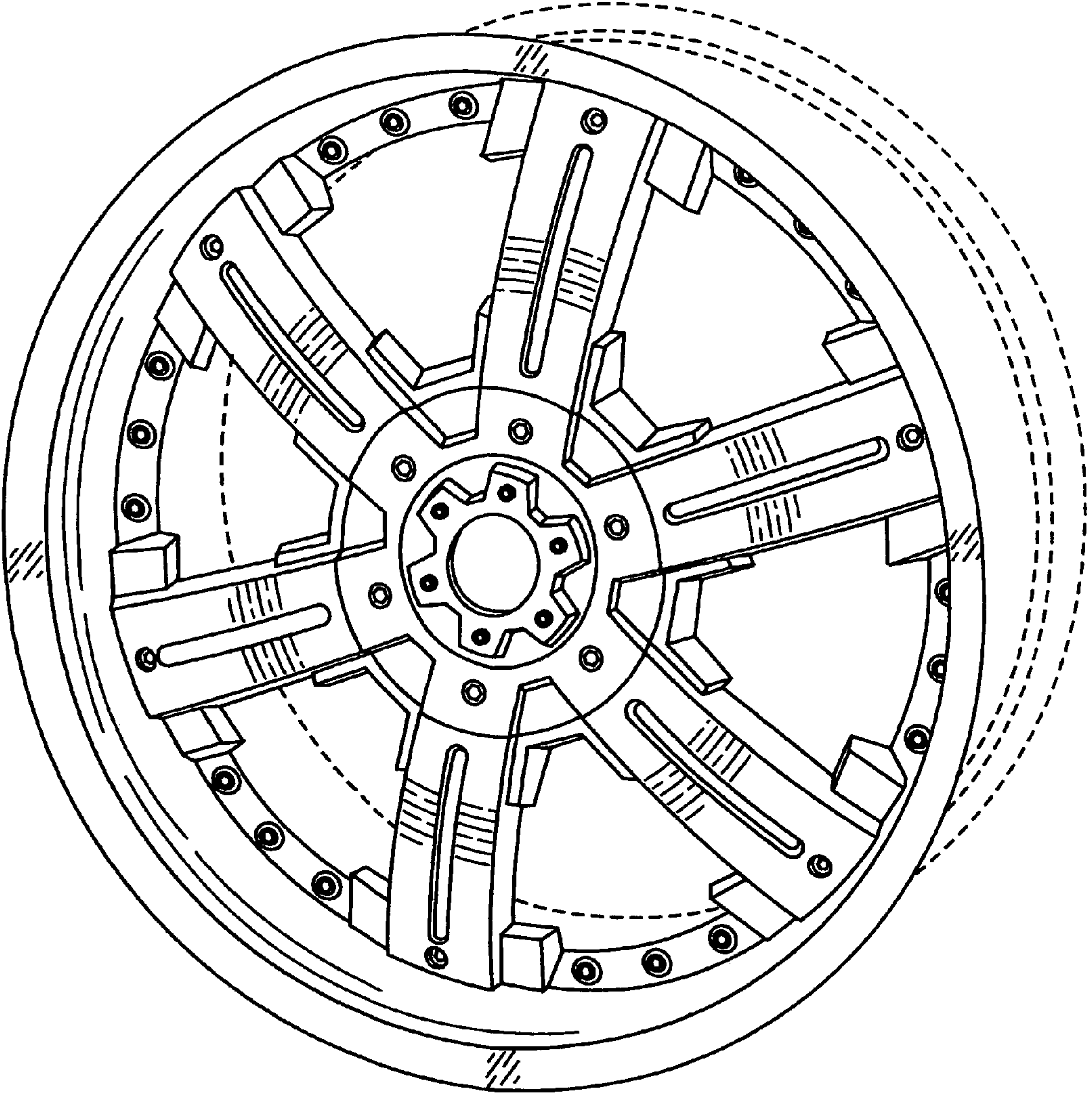


Fig. 1

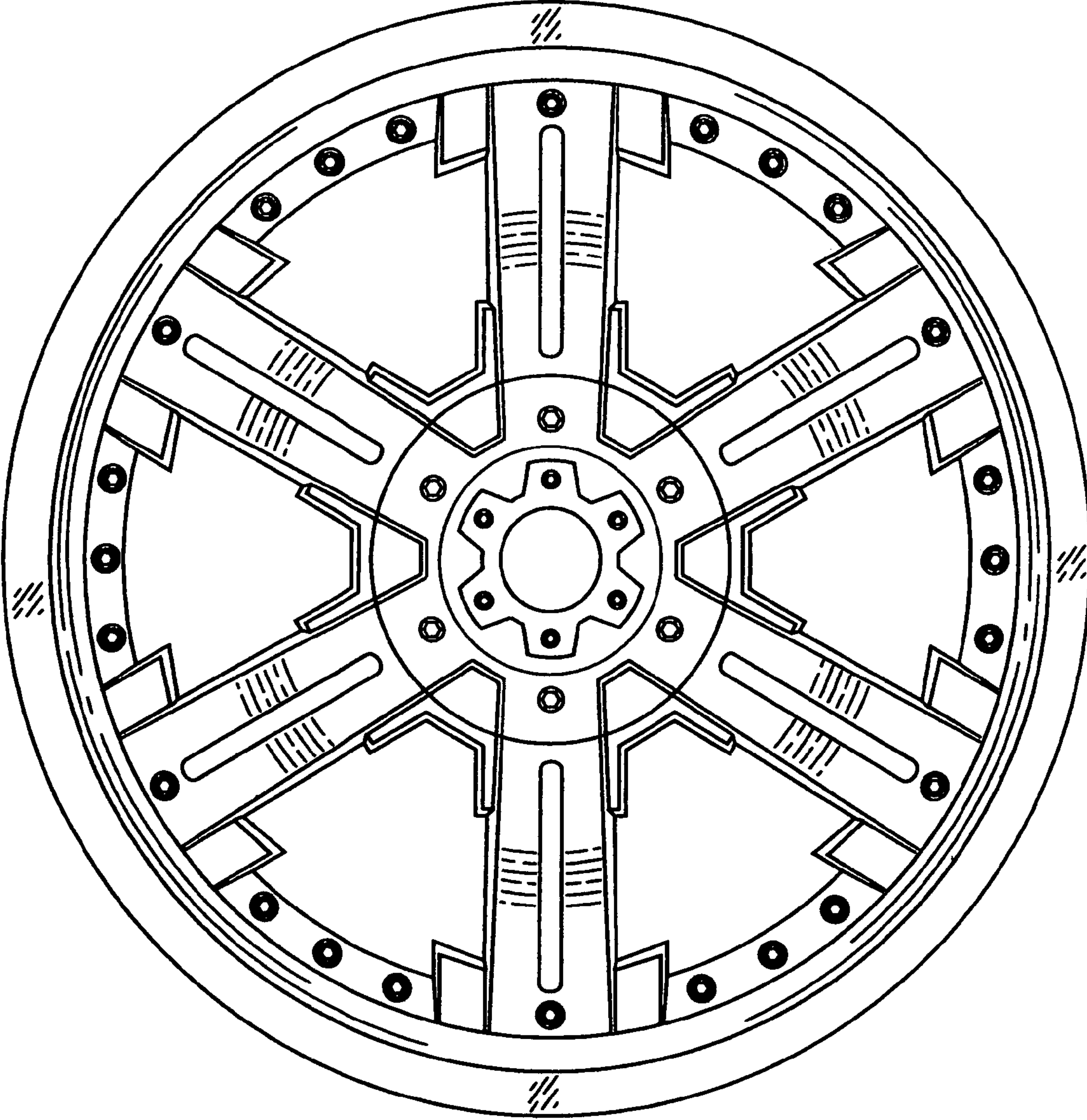


Fig. 2