



US00D573929S

(12) **United States Design Patent**  
**Black**

(10) **Patent No.:** **US D573,929 S**

(45) **Date of Patent:** **\*\* Jul. 29, 2008**

(54) **TIRE STEP ASSEMBLY**

(76) Inventor: **Daniel K. Black**, 1385 W. Carlos Dr.,  
West Valley City, UT (US) 84119

(\*\*) Term: **14 Years**

(21) Appl. No.: **29/273,922**

(22) Filed: **Mar. 16, 2007**

(51) **LOC (8) Cl.** ..... **12-16**

(52) **U.S. Cl.** ..... **D12/203**

(58) **Field of Classification Search** ..... D12/203;  
182/150; 280/165

See application file for complete search history.

(56) **References Cited**

U.S. PATENT DOCUMENTS

2,378,678	A *	6/1945	Anderson	.....	182/150
2,575,503	A *	11/1951	Warren	.....	182/150
4,782,916	A	11/1988	Hays	.....	182/150
4,947,961	A	8/1990	Dudley	.....	182/92
5,111,909	A	5/1992	Liu	.....	182/150
5,133,429	A *	7/1992	Densley	.....	182/150
D376,784	S *	12/1996	Miller	.....	D12/203
D394,628	S	5/1998	Wentzel	.....	D12/203
6,044,928	A *	4/2000	Law et al.	.....	182/150
D448,335	S *	9/2001	Ehnes	.....	D12/203
6,457,558	B1	10/2002	Ehnes	.....	182/150
6,550,578	B1	4/2003	Law et al.	.....	182/150

6,767,023	B1	7/2004	Nicholson	.....	280/165
6,957,719	B2	10/2005	Ehnes	.....	182/150
7,059,449	B2	6/2006	Zhang	.....	182/150
7,168,523	B1	1/2007	Tafoya et al.	.....	182/150
2004/0026172	A1 *	2/2004	Ehnes	.....	182/150
2006/0226624	A1 *	10/2006	Chen	.....	280/165

\* cited by examiner

*Primary Examiner*—Robert M. Spear  
*Assistant Examiner*—George D Kirschbaum  
(74) *Attorney, Agent, or Firm*—Kent S. Burningham, P.C.

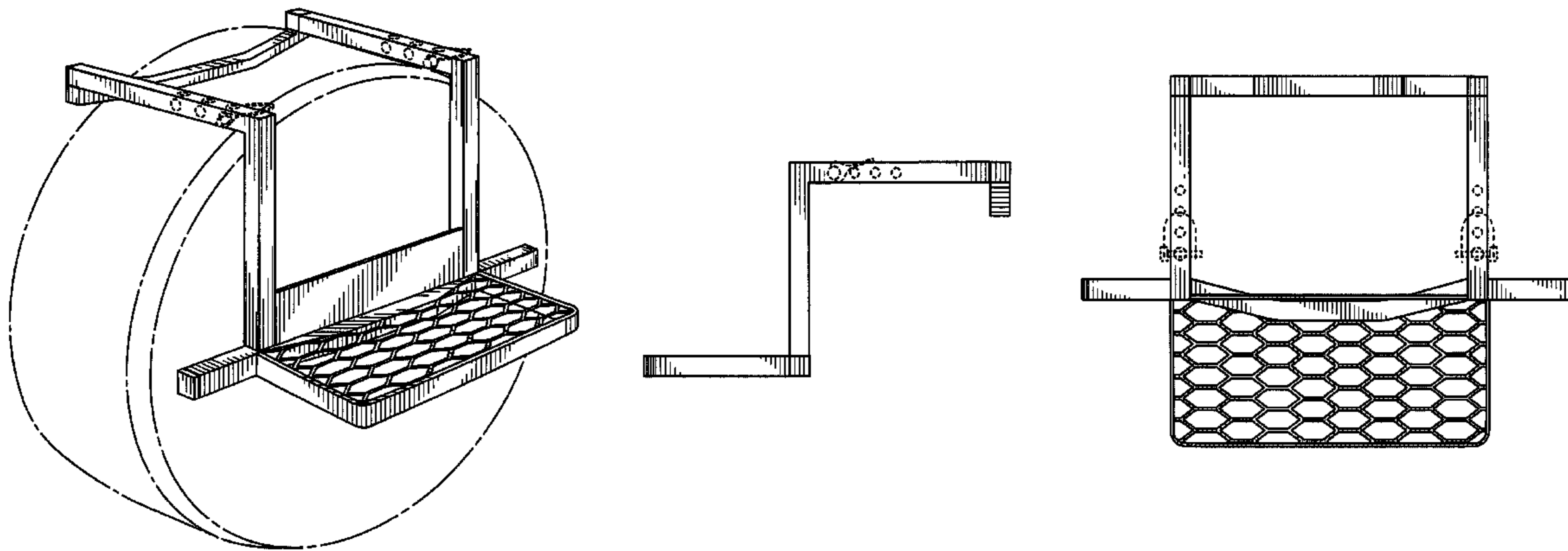
(57) **CLAIM**

What is claimed is the ornamental design for a tire step assembly, as shown and described.

**DESCRIPTION**

FIG. 1 is a perspective view of a tire step assembly showing my new design;  
FIG. 2 is a front elevational view thereof;  
FIG. 3 is a rear elevational view thereof;  
FIG. 4 is a right side elevational view thereof;  
FIG. 5 is a left side elevational view thereof;  
FIG. 6 is a top plan view thereof; and,  
FIG. 7 is a bottom plan view thereof.

**1 Claim, 4 Drawing Sheets**



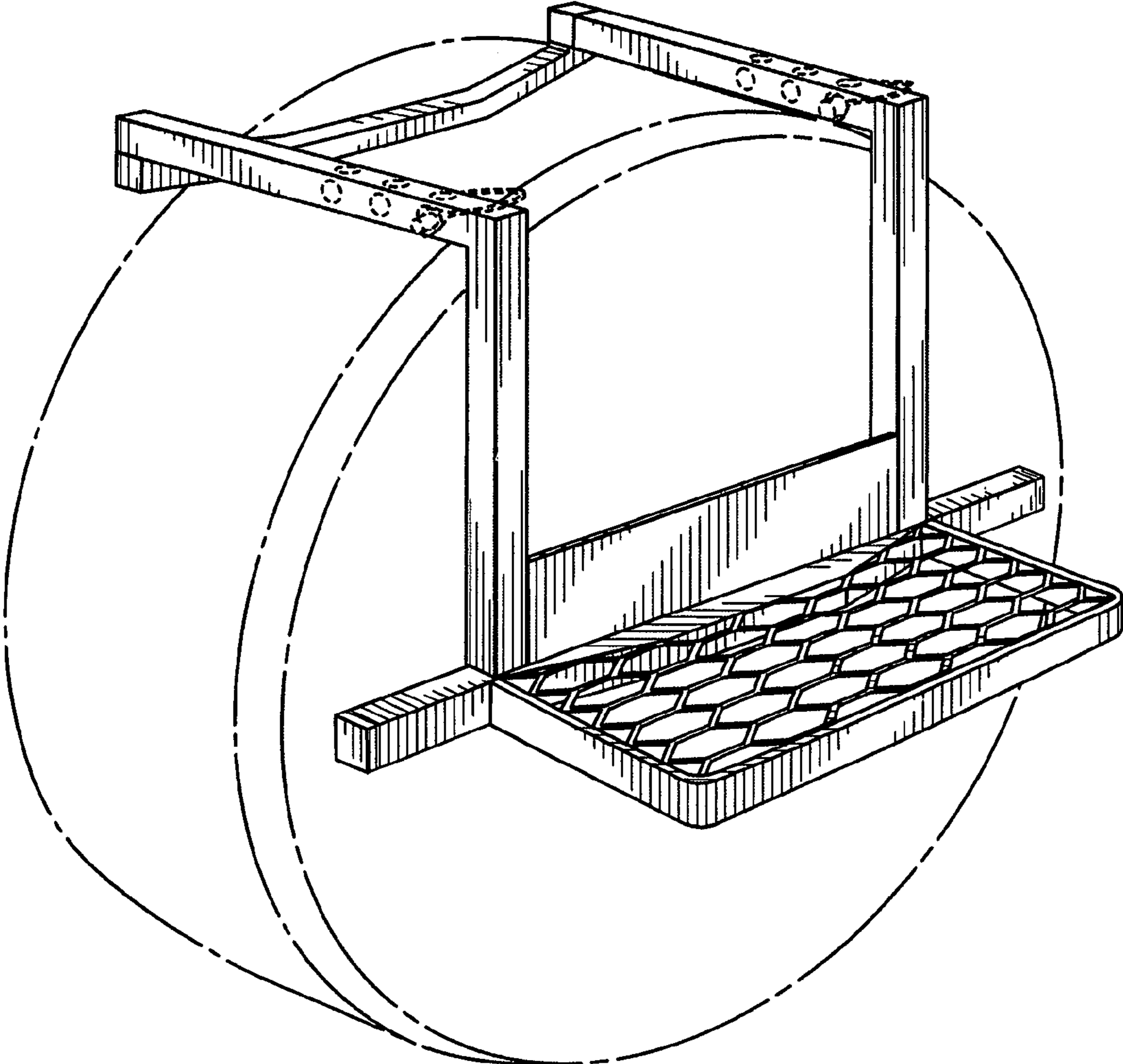


FIG. 1

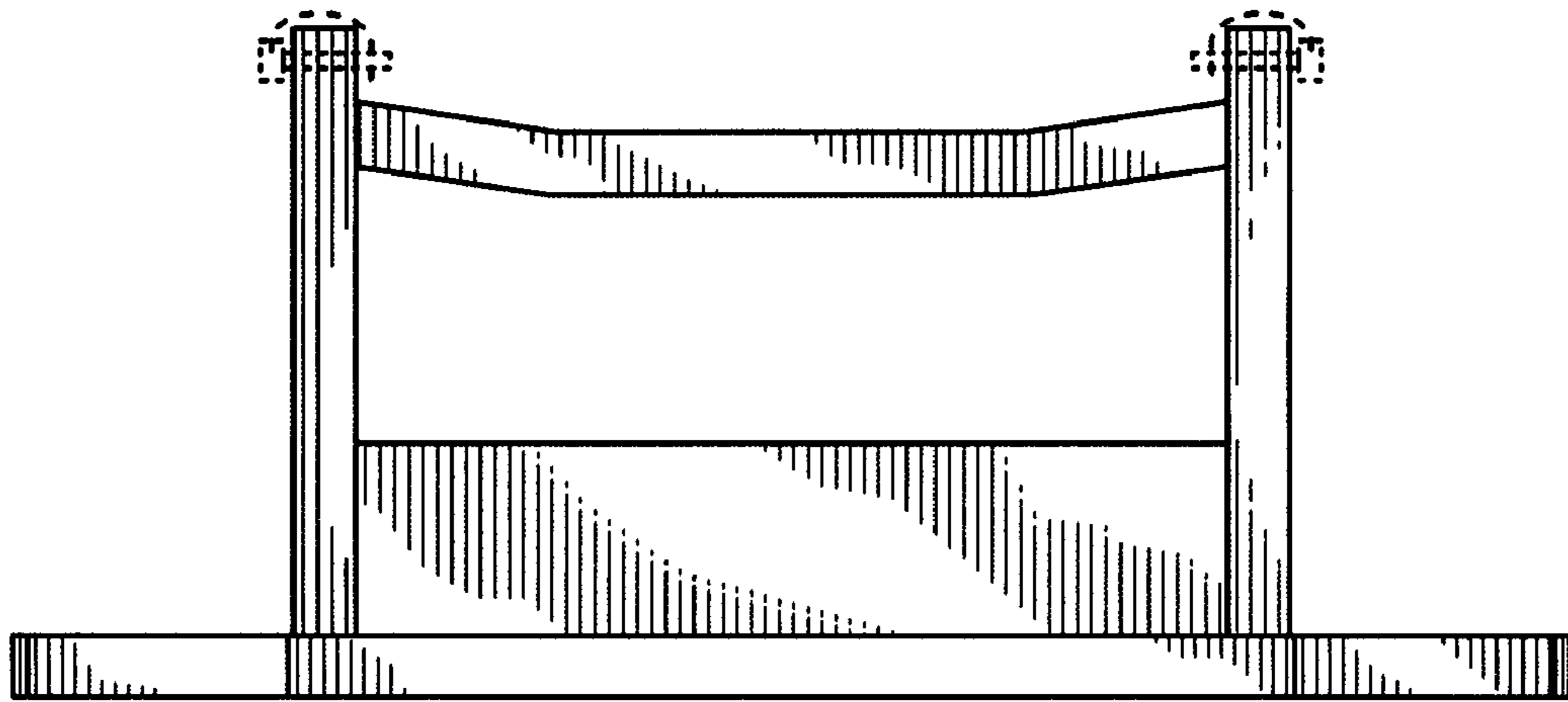


FIG. 2

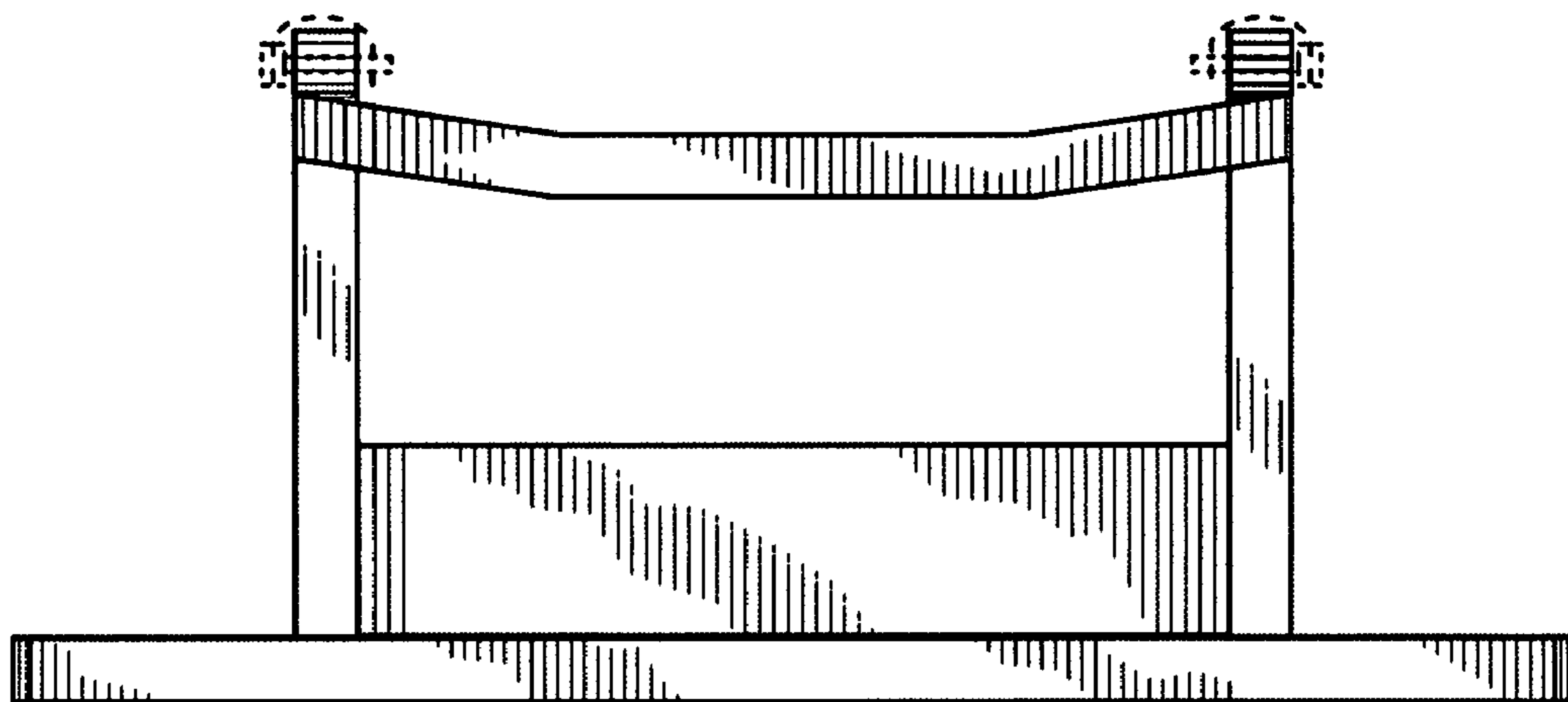


FIG. 3

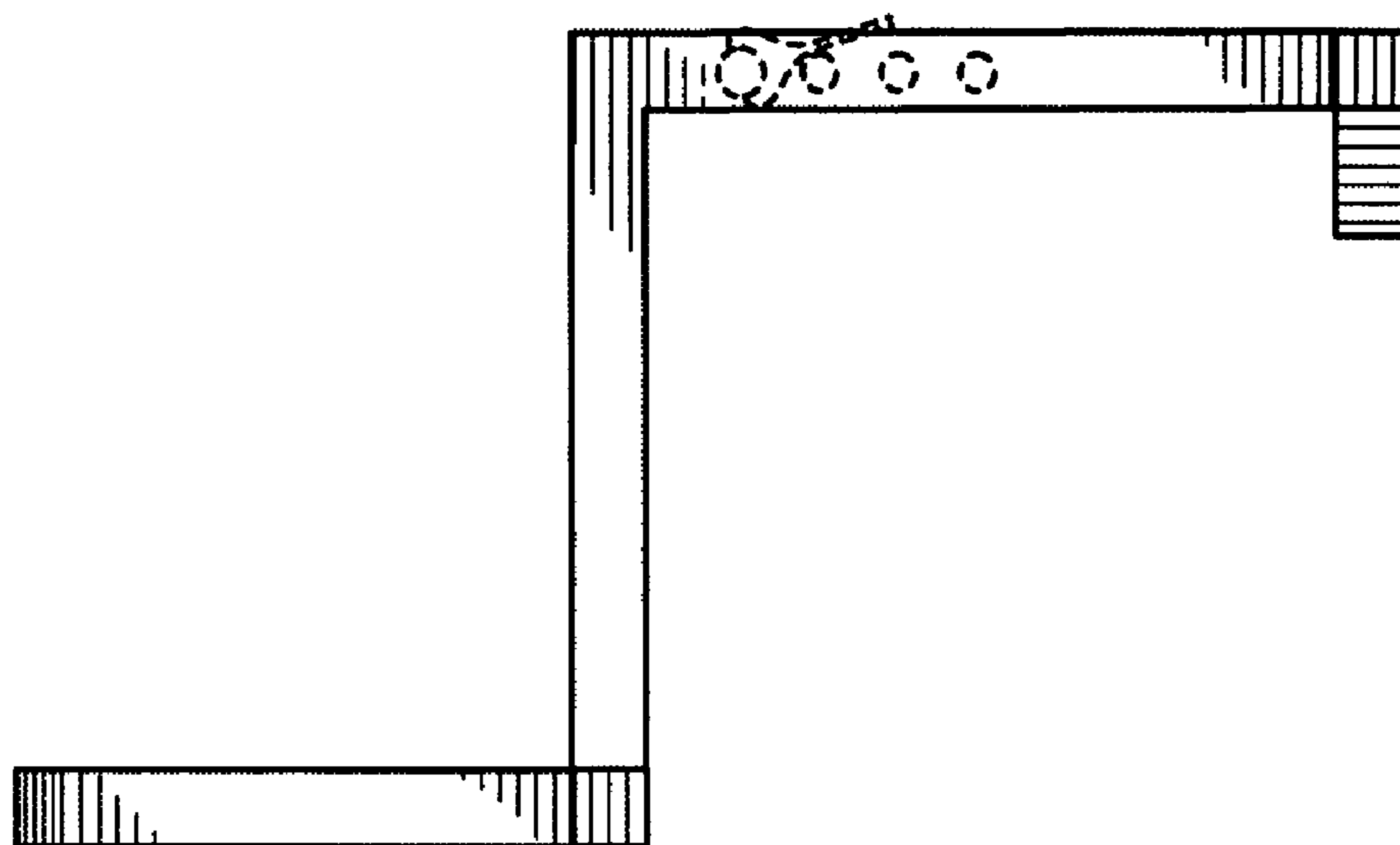


FIG. 4

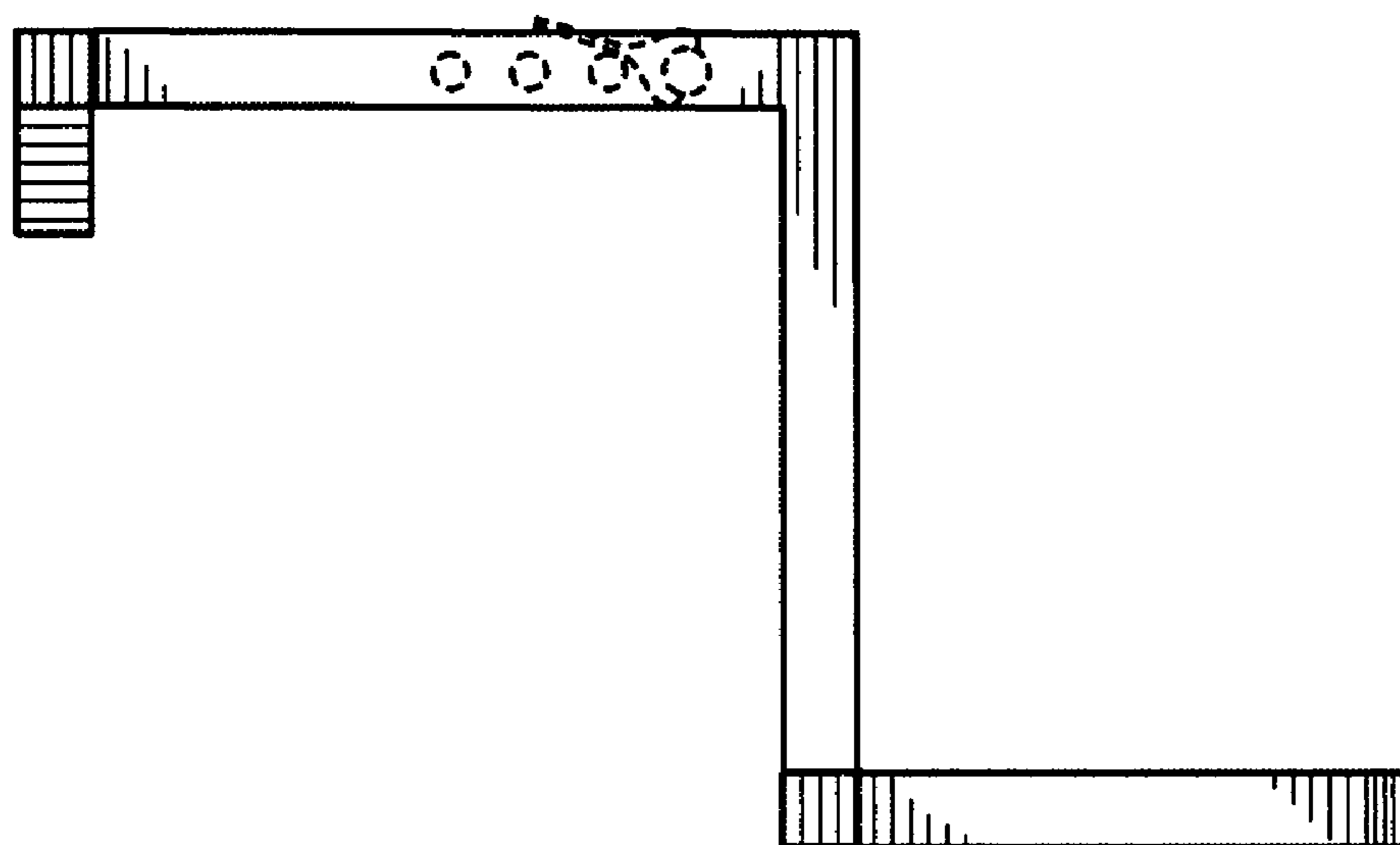


FIG. 5

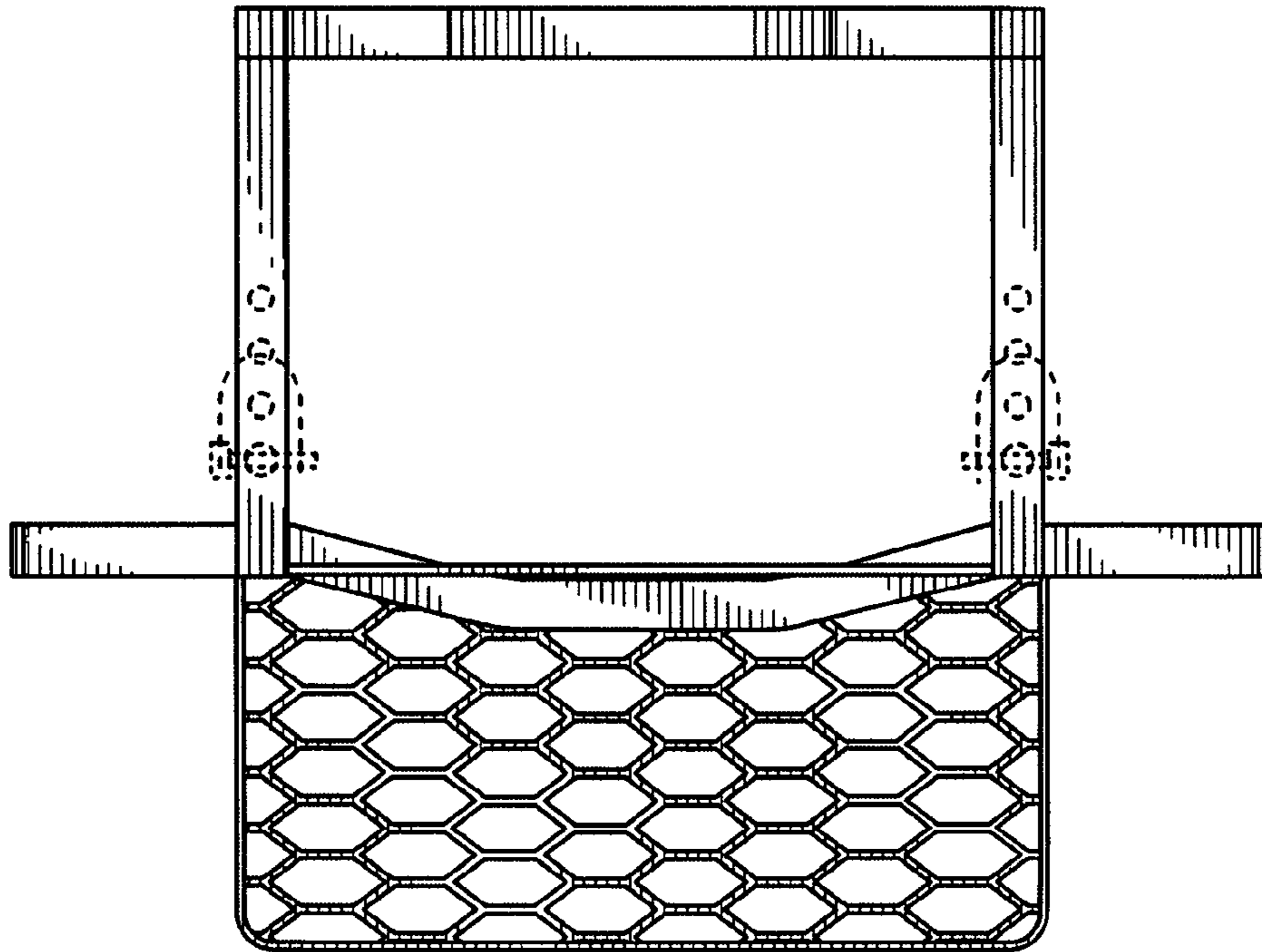


FIG. 6

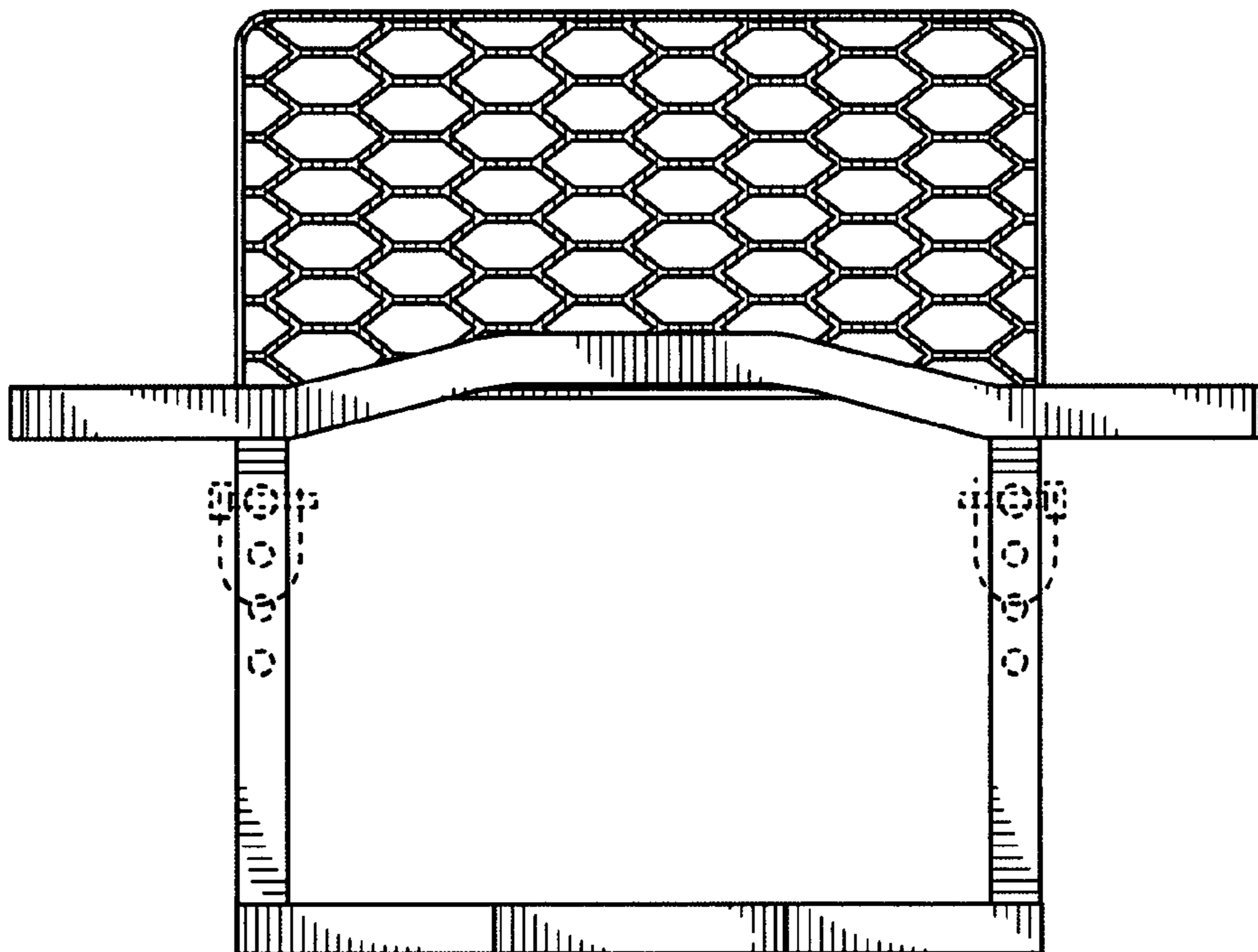


FIG. 7