

US00D573923S

(12) **United States Design Patent**  
**Unfried et al.**

(10) **Patent No.:** **US D573,923 S**  
(45) **Date of Patent:** **\*\* Jul. 29, 2008**

(54) **EXHAUST PIPE**

(75) Inventors: **Claus-Dieter Unfried**, Markgroeningen (DE); **Robert Owen**, Niefern-Oeschelbronn (DE)

(73) Assignee: **Dr. Ing. h.c. F. Porsche AG.**, Weissach (DE)

(\*\*) Term: **14 Years**

(21) Appl. No.: **29/288,841**

(22) Filed: **Jun. 22, 2007**

(30) **Foreign Application Priority Data**

Dec. 22, 2006 (DE) ..... 4 06 06 454

(51) **LOC (8) Cl.** ..... **12-16**

(52) **U.S. Cl.** ..... **D12/162**

(58) **Field of Classification Search** ..... D12/110, D12/194, 400; 181/227, 228, 239, 247-249, 181/264, 277-280, 282; D15/5; 60/313, 60/323; 29/890.08; 138/37-39, 44, 103, 138/109

See application file for complete search history.

(56) **References Cited**

**U.S. PATENT DOCUMENTS**

D435,815 S \* 1/2001 Larson ..... D12/169

D473,175 S \* 4/2003 Gilli ..... D12/194  
D488,114 S \* 4/2004 Kulla ..... D12/194  
D534,469 S \* 1/2007 Murkett ..... D12/194  
D540,231 S \* 4/2007 Braun et al. .... D12/194

\* cited by examiner

*Primary Examiner*—Louis S Zarfaz

*Assistant Examiner*—Michael A Pratt

(57) **CLAIM**

The ornamental design for the exhaust pipe, as shown and described.

**DESCRIPTION**

FIG. 1 is a front view of the exhaust pipe, showing my new invention;

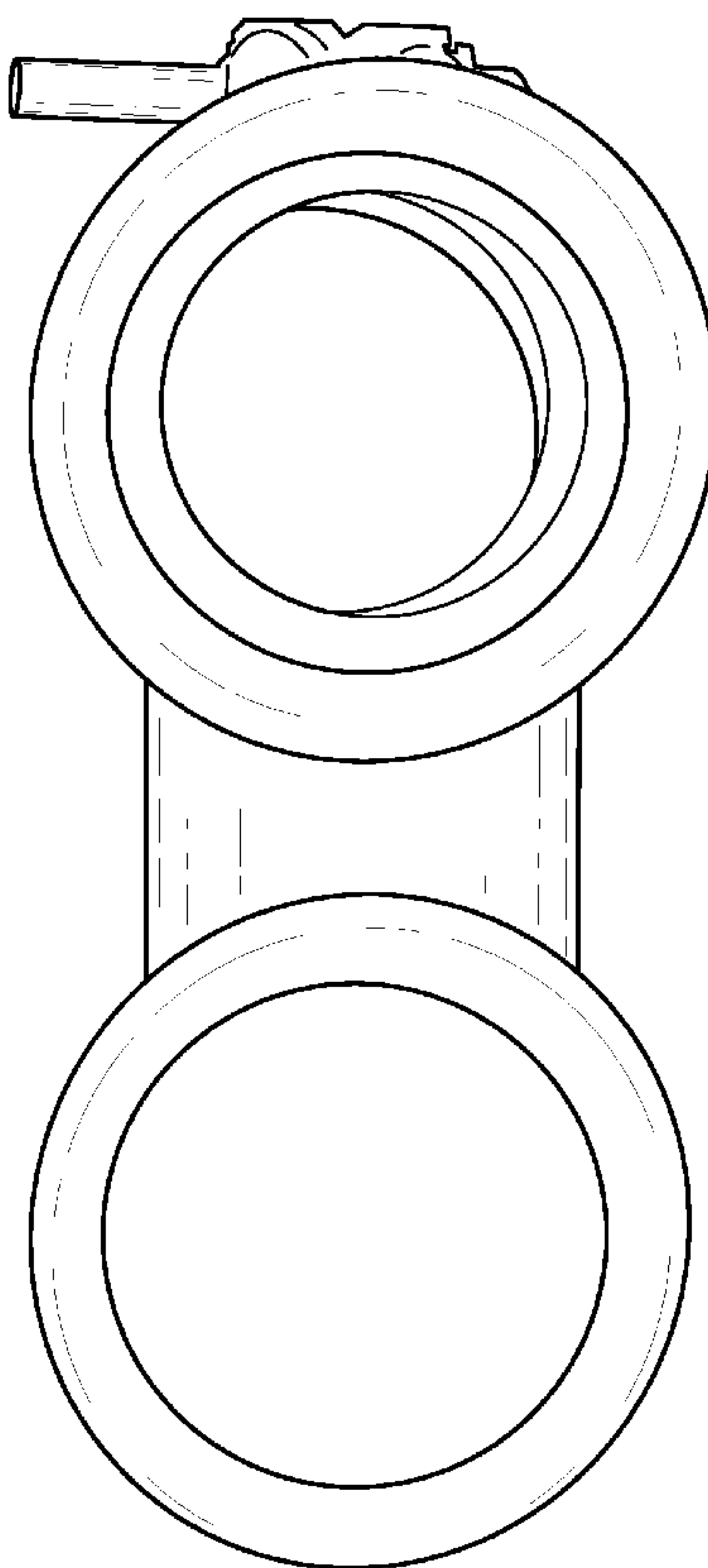
FIG. 2 is a perspective view thereof;

FIG. 3 is a right-side view thereof;

FIG. 4 is a top plan view thereof; and,

FIG. 5 is a left-side view thereof.

**1 Claim, 5 Drawing Sheets**



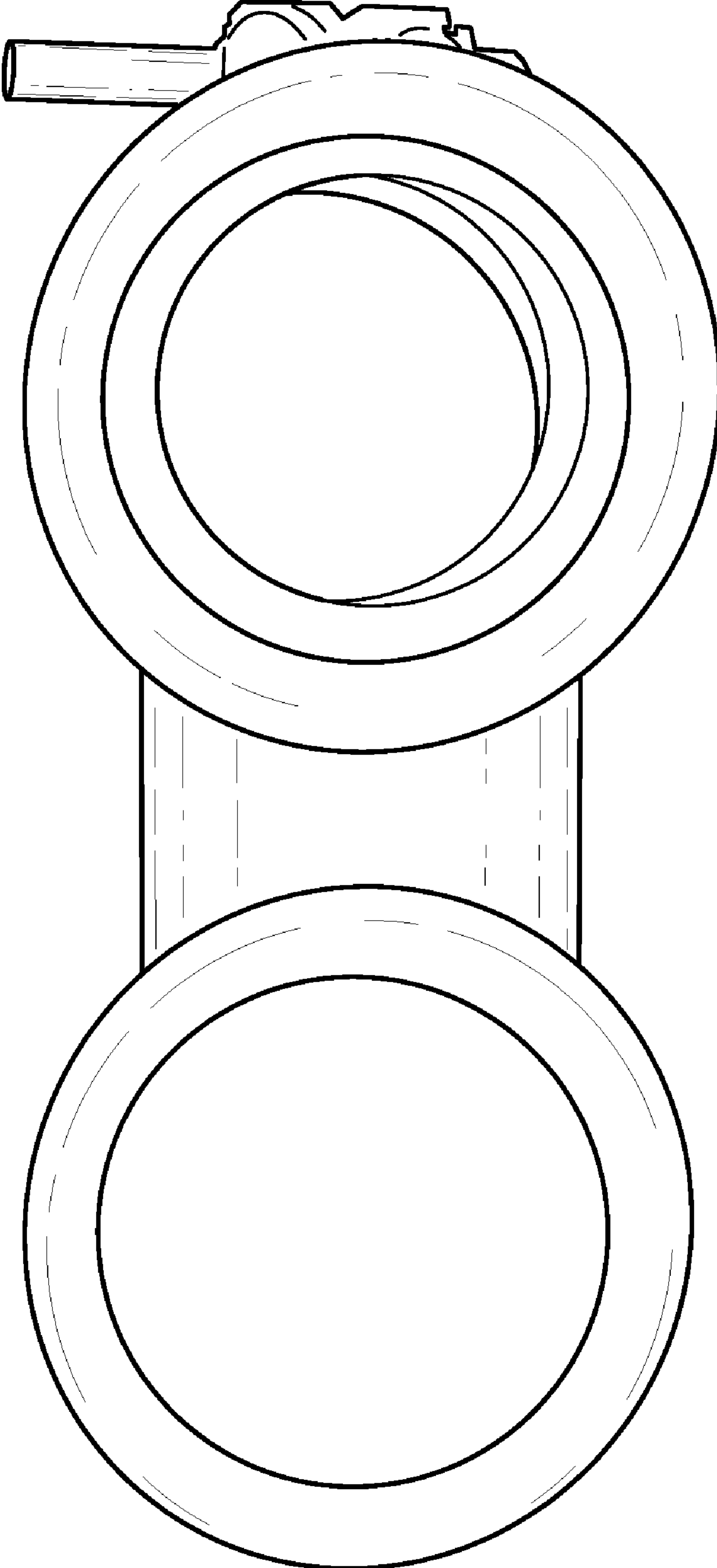


FIG. 1

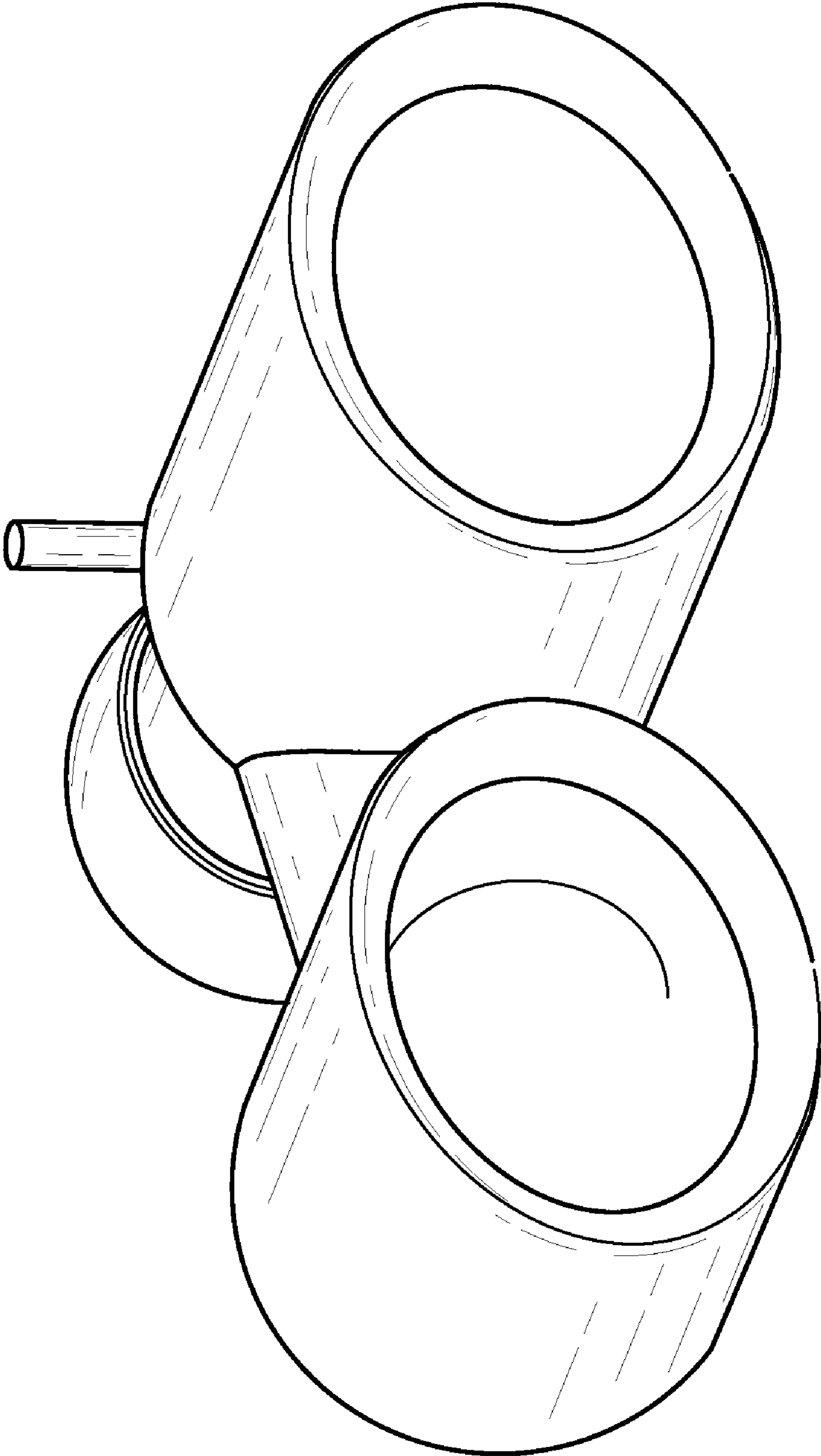


FIG. 2

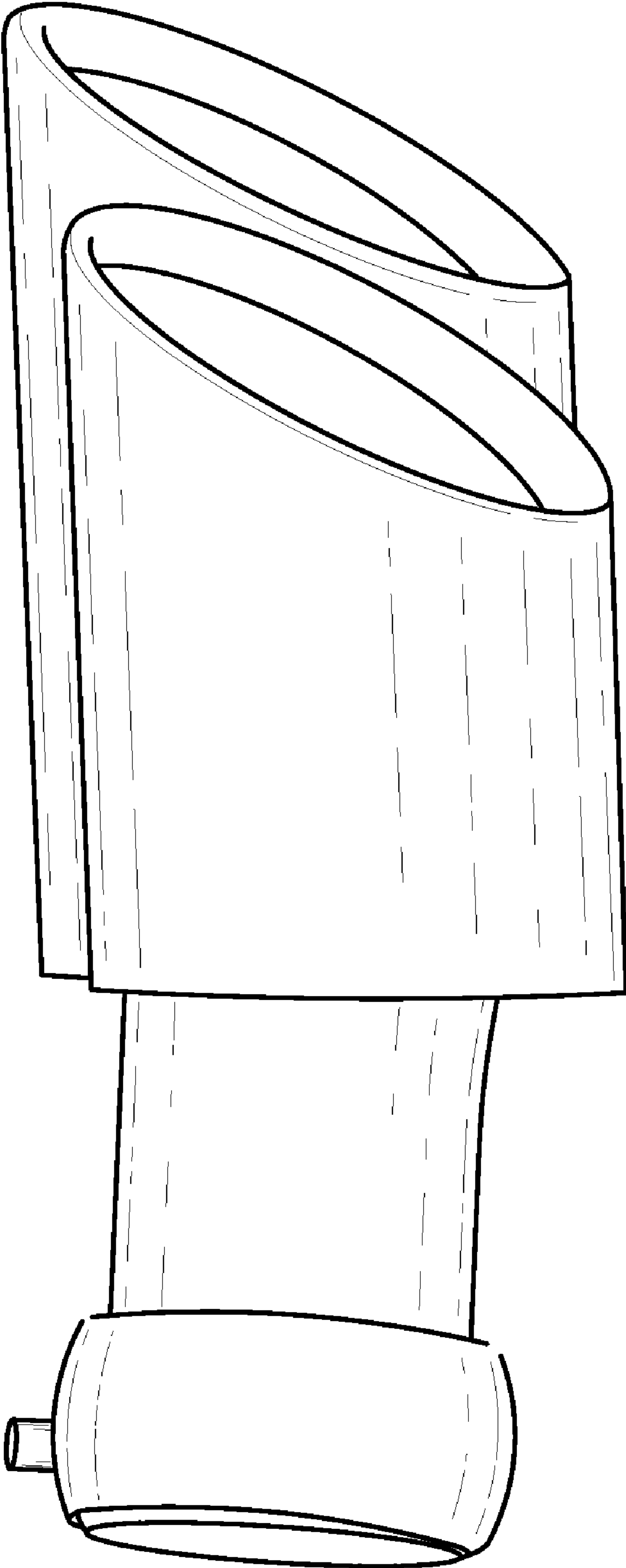


FIG. 3

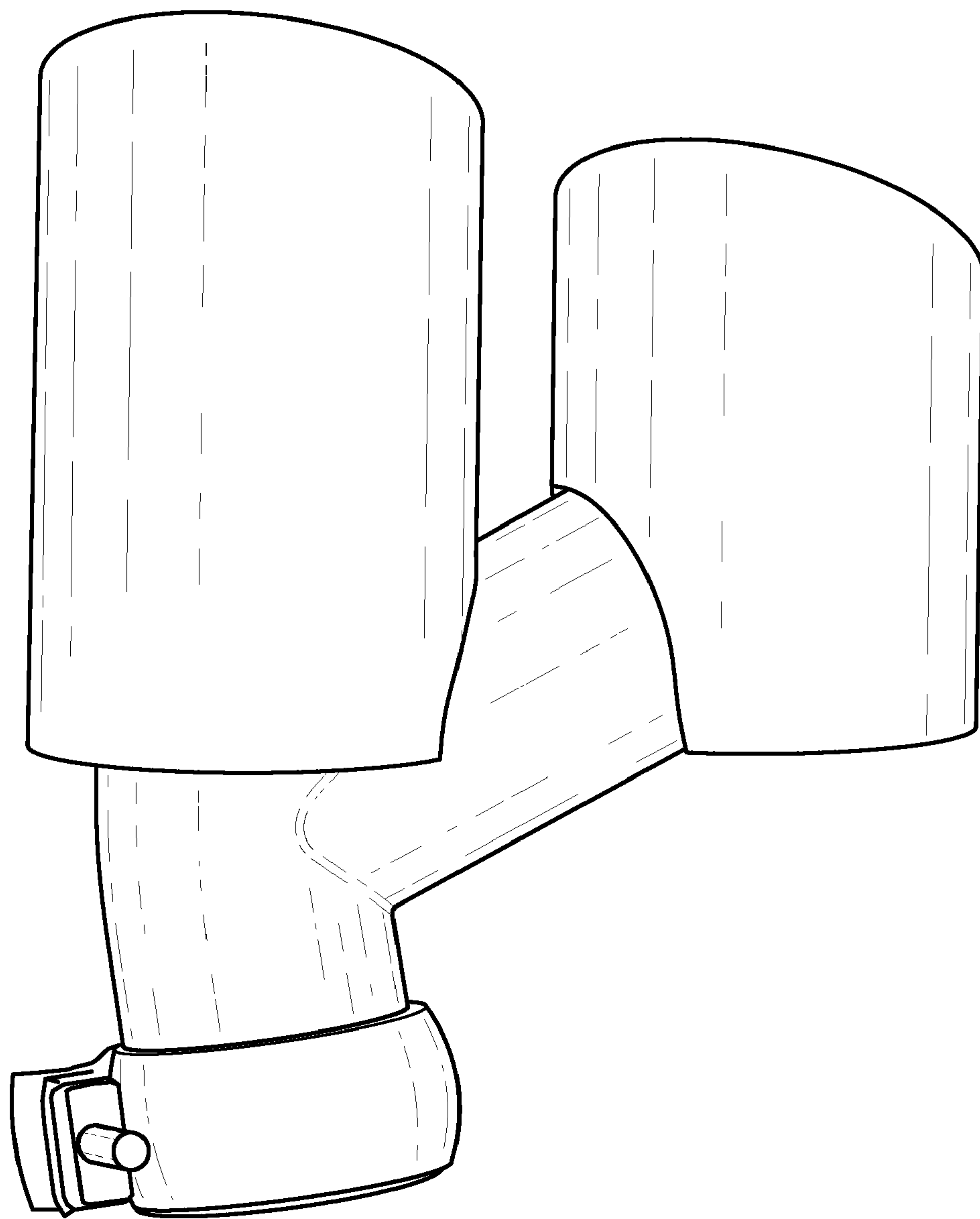


FIG. 4

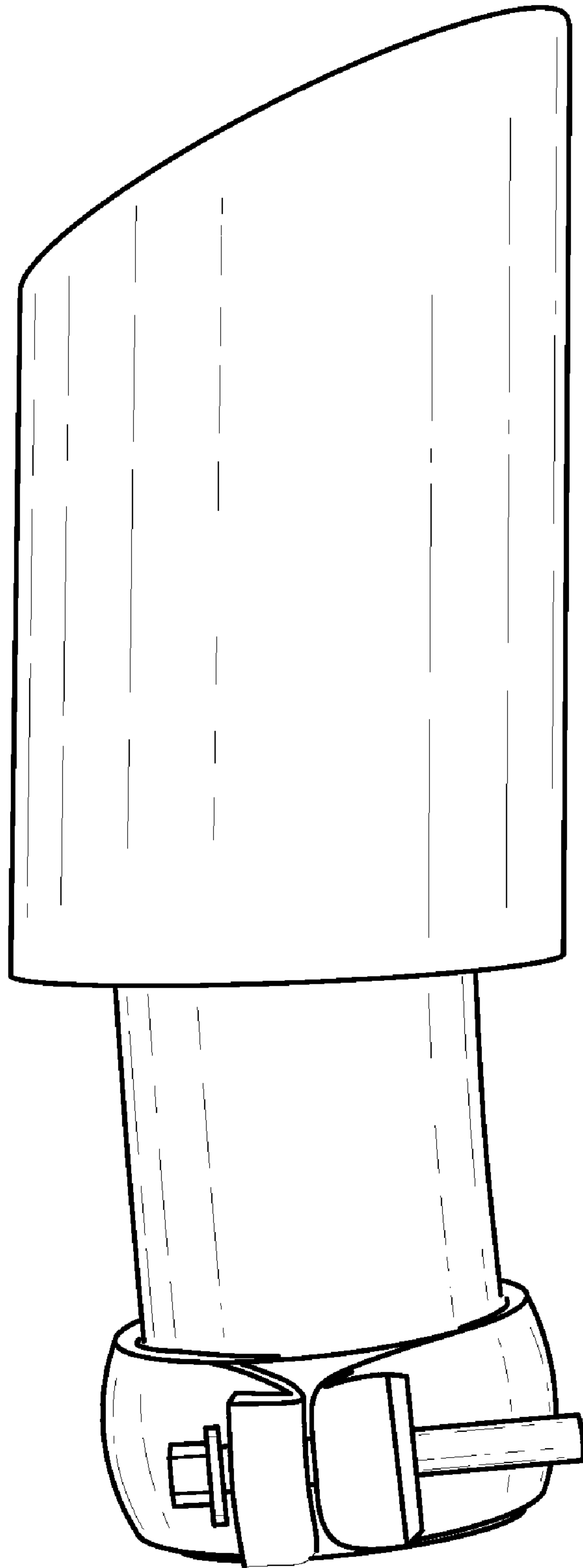


FIG. 5