



US00D573922S

(12) **United States Design Patent**
Gibson

(10) **Patent No.:** **US D573,922 S**

(45) **Date of Patent:** **** Jul. 29, 2008**

(54) **COILOVER CONVERSION MOUNT**

(75) Inventor: **Luke Gibson**, El Cajon, CA (US)

(73) Assignee: **Spirson Off-Road LLC**, El Cajon, CA (US)

(**) Term: **14 Years**

(21) Appl. No.: **29/250,014**

(22) Filed: **Oct. 30, 2006**

(51) **LOC (8) Cl.** **12-16**

(52) **U.S. Cl.** **D12/159**

(58) **Field of Classification Search** D12/159,
D12/160, 161, 340, 400; D15/1; 280/86.752,
280/11.225; 188/286, 281, 274, 297, 316,
188/298, 315, 395; 279/2.17, 2.01; D8/350,
D8/382

See application file for complete search history.

(56) **References Cited**

U.S. PATENT DOCUMENTS

- D352,258 S * 11/1994 Rudd et al. D12/126
- D371,334 S * 7/1996 Hotchkis et al. D12/159
- 6,116,627 A * 9/2000 Kawabe et al. 280/124.146

- D495,278 S * 8/2004 Kroeker et al. D12/159
- 7,077,371 B1 * 7/2006 Kroeker 248/200
- 7,137,636 B2 * 11/2006 Bennett 280/124.155
- 2002/0041075 A1 * 4/2002 Kobayashi et al. 280/124.155

* cited by examiner

Primary Examiner—Louis S Zarfaz

Assistant Examiner—Michael A Pratt

(74) *Attorney, Agent, or Firm*—Wilson Sonsini Goodrich & Rosati

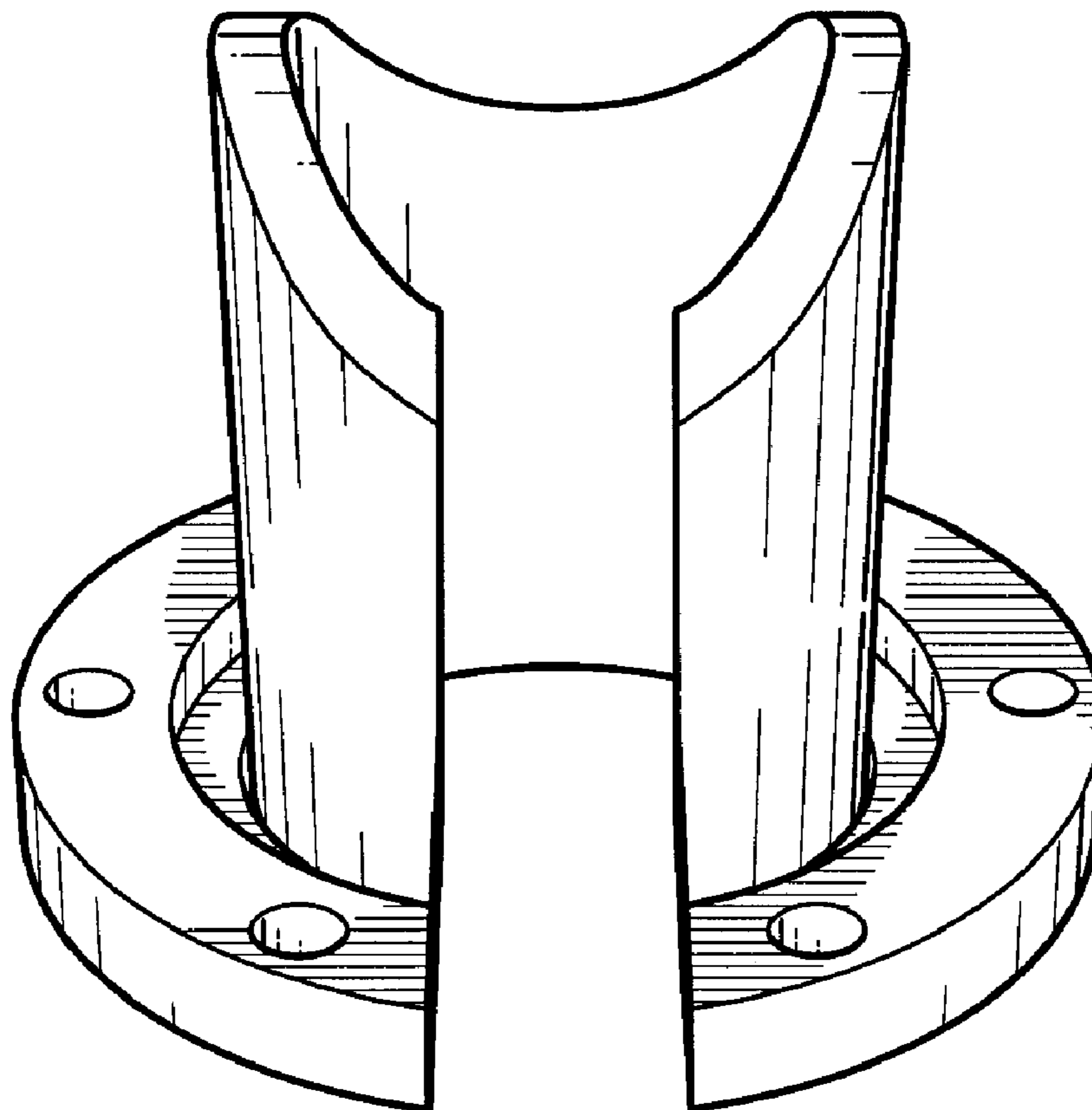
(57) **CLAIM**

The ornamental design for a coilover conversion mount, as shown and described.

DESCRIPTION

FIG. 1 is perspective view of the coilover conversion mount;
 FIG. 2 is a front view thereof;
 FIG. 3 is a rear view thereof;
 FIG. 4 is a side view thereof;
 FIG. 5 is a top plan view thereof; and,
 FIG. 6 is a bottom view thereof.

1 Claim, 3 Drawing Sheets



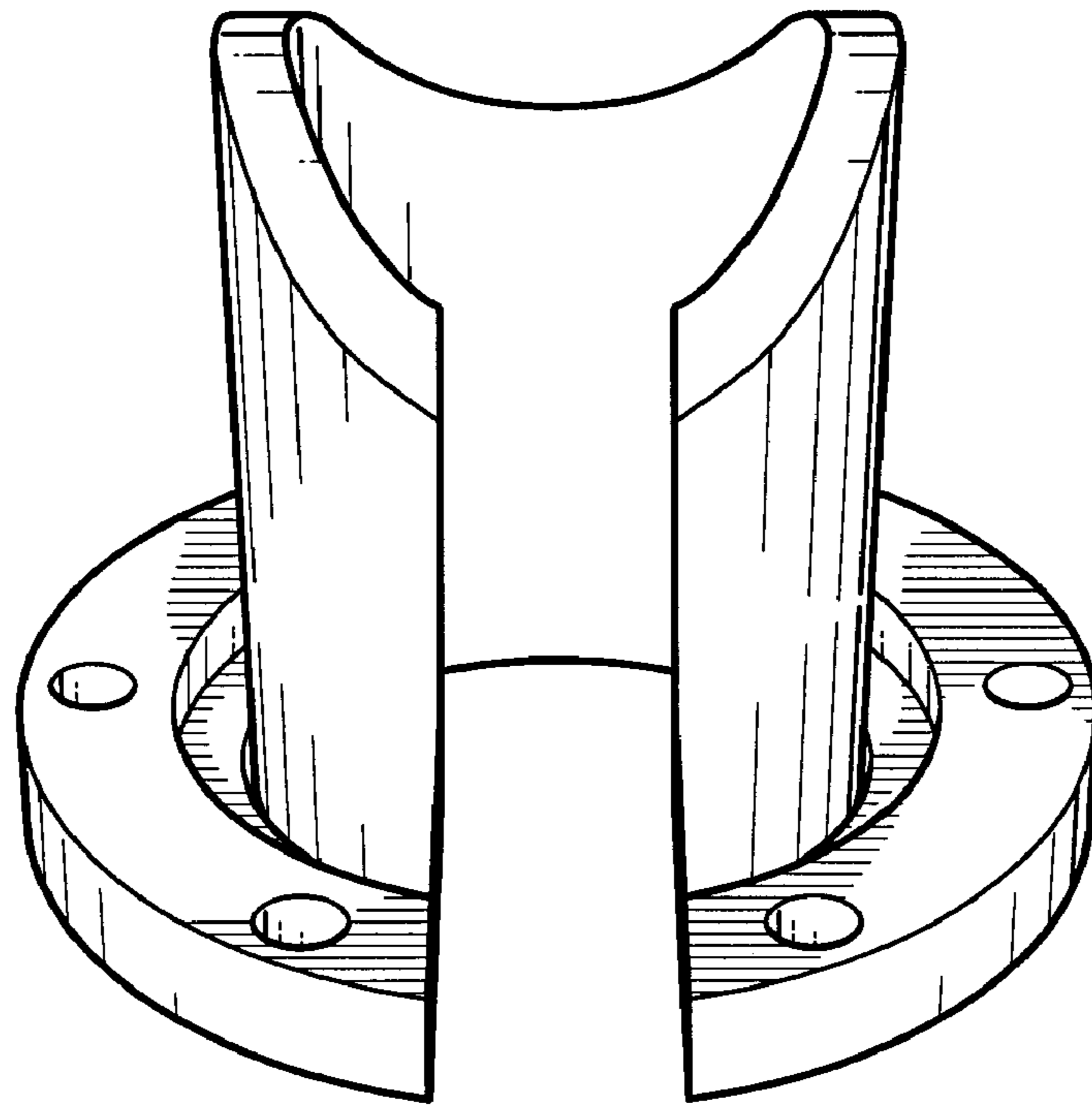


FIG. 1

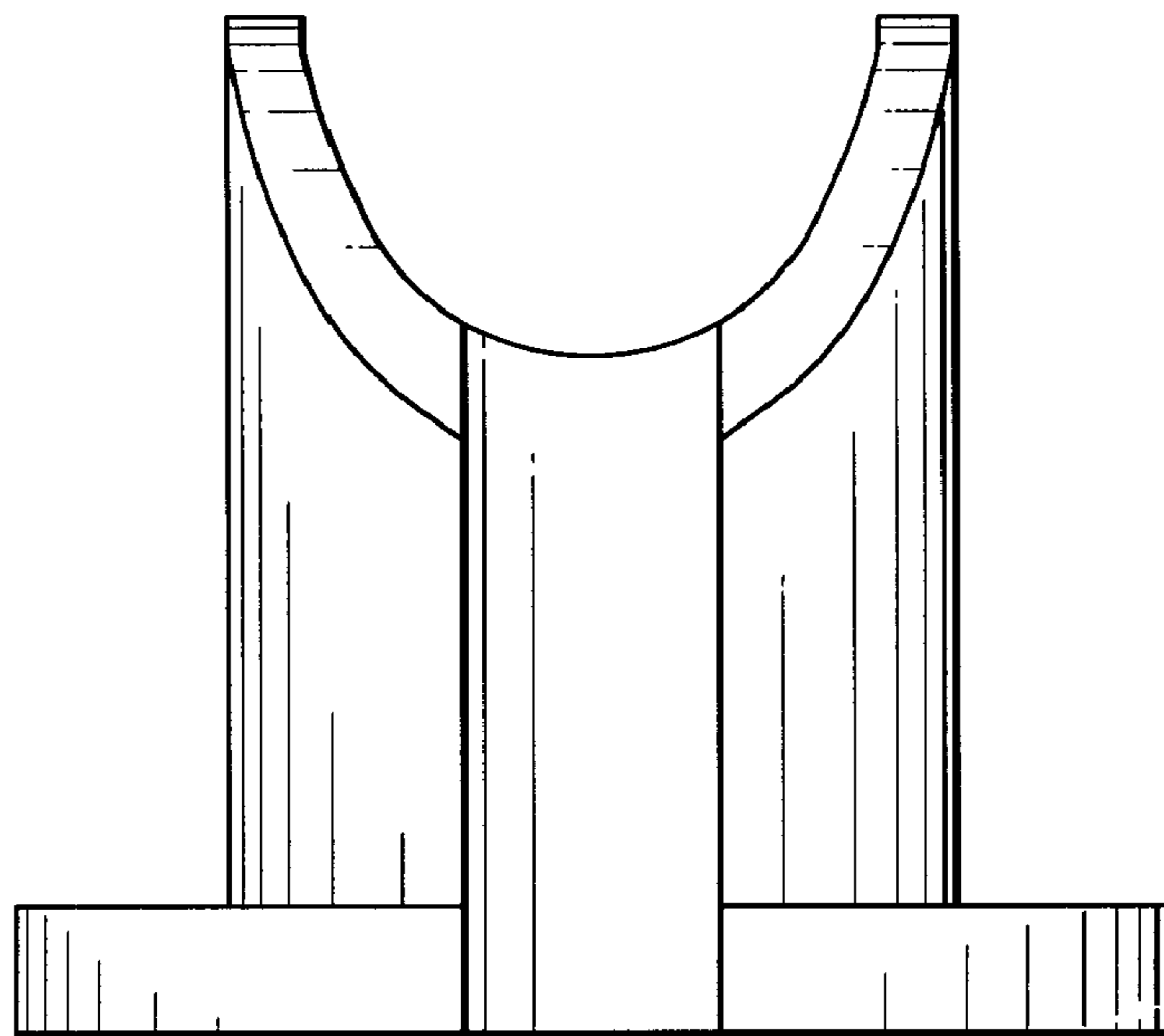


FIG. 2

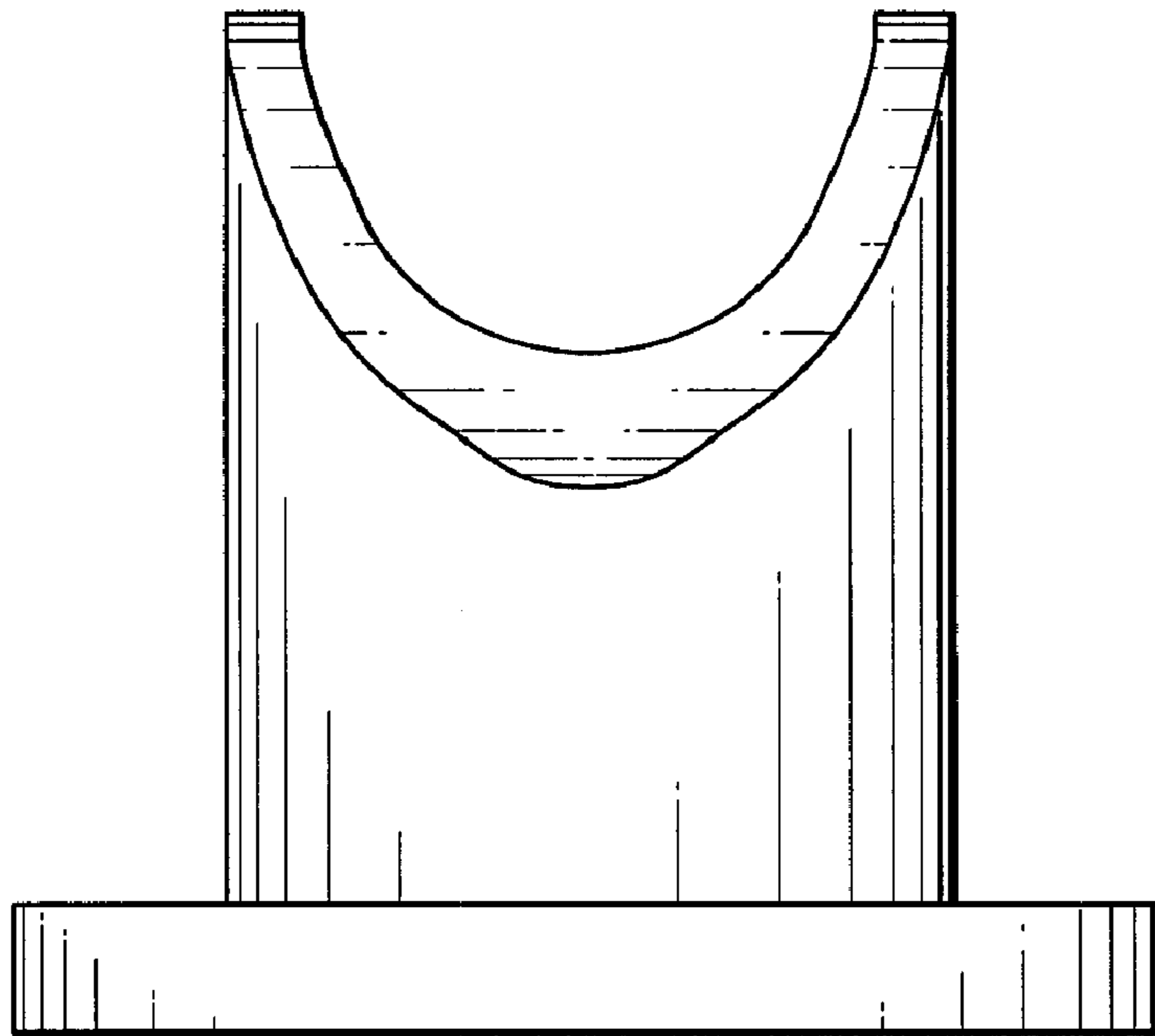


FIG. 3

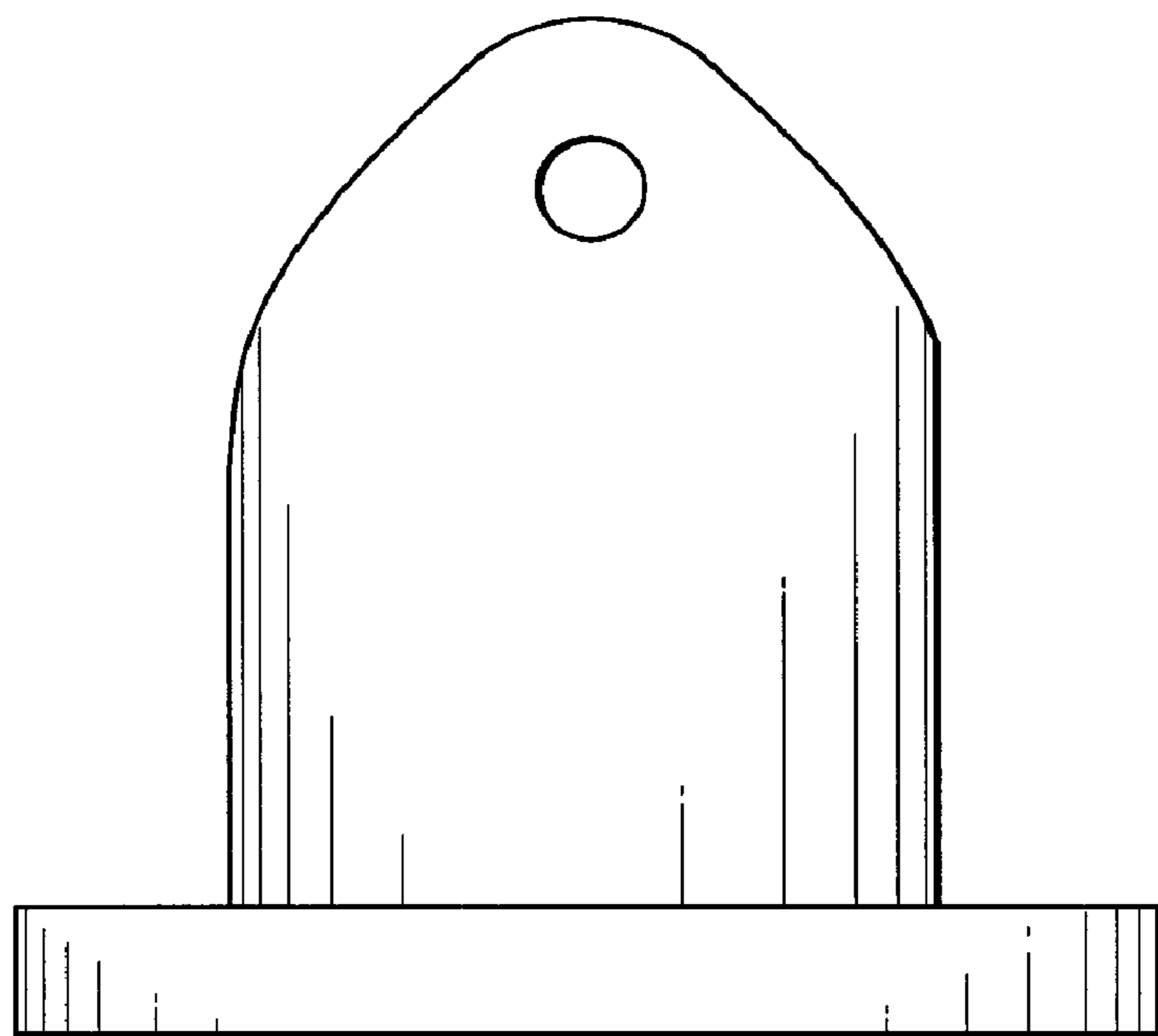


FIG. 4

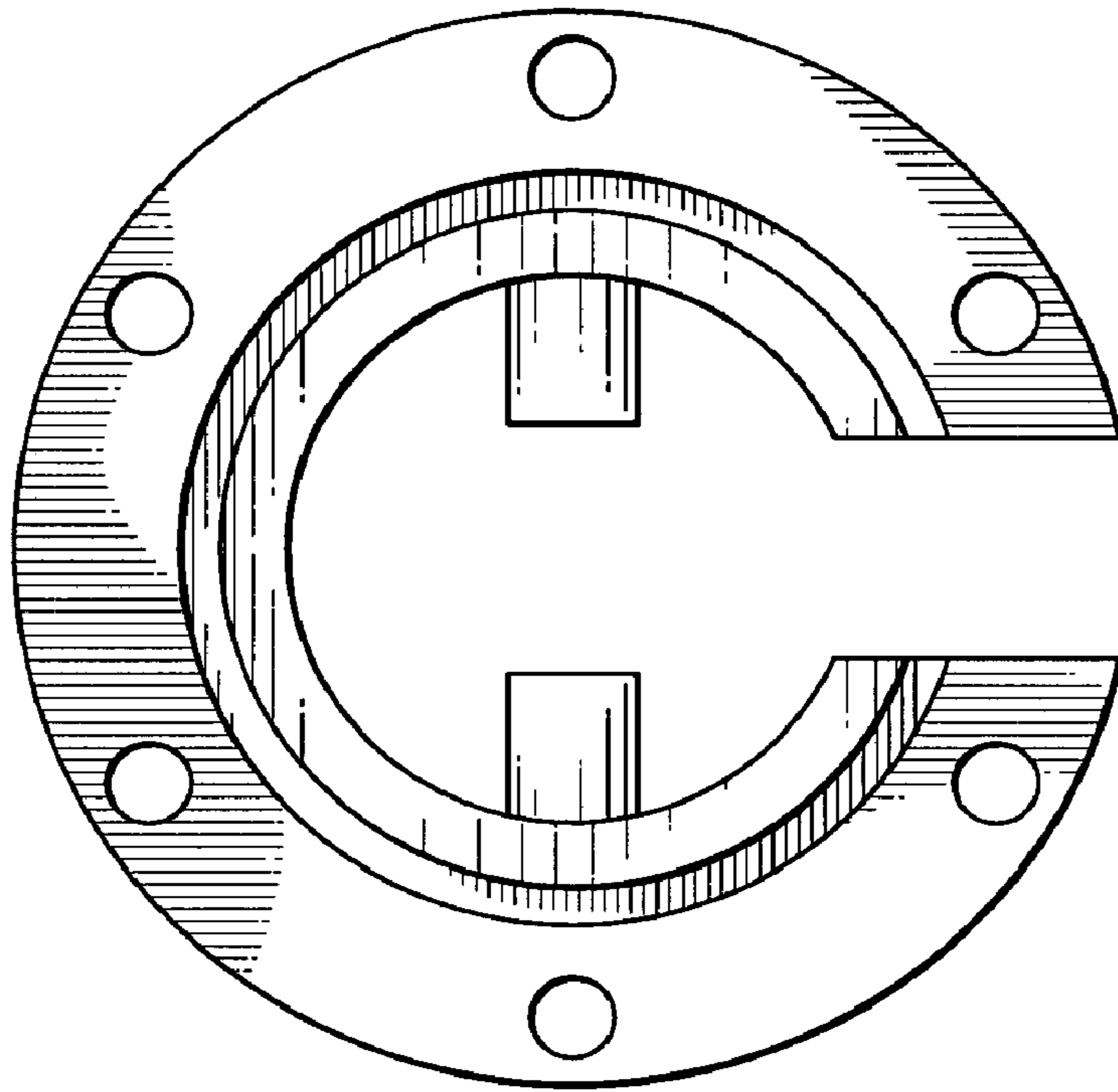


FIG. 5

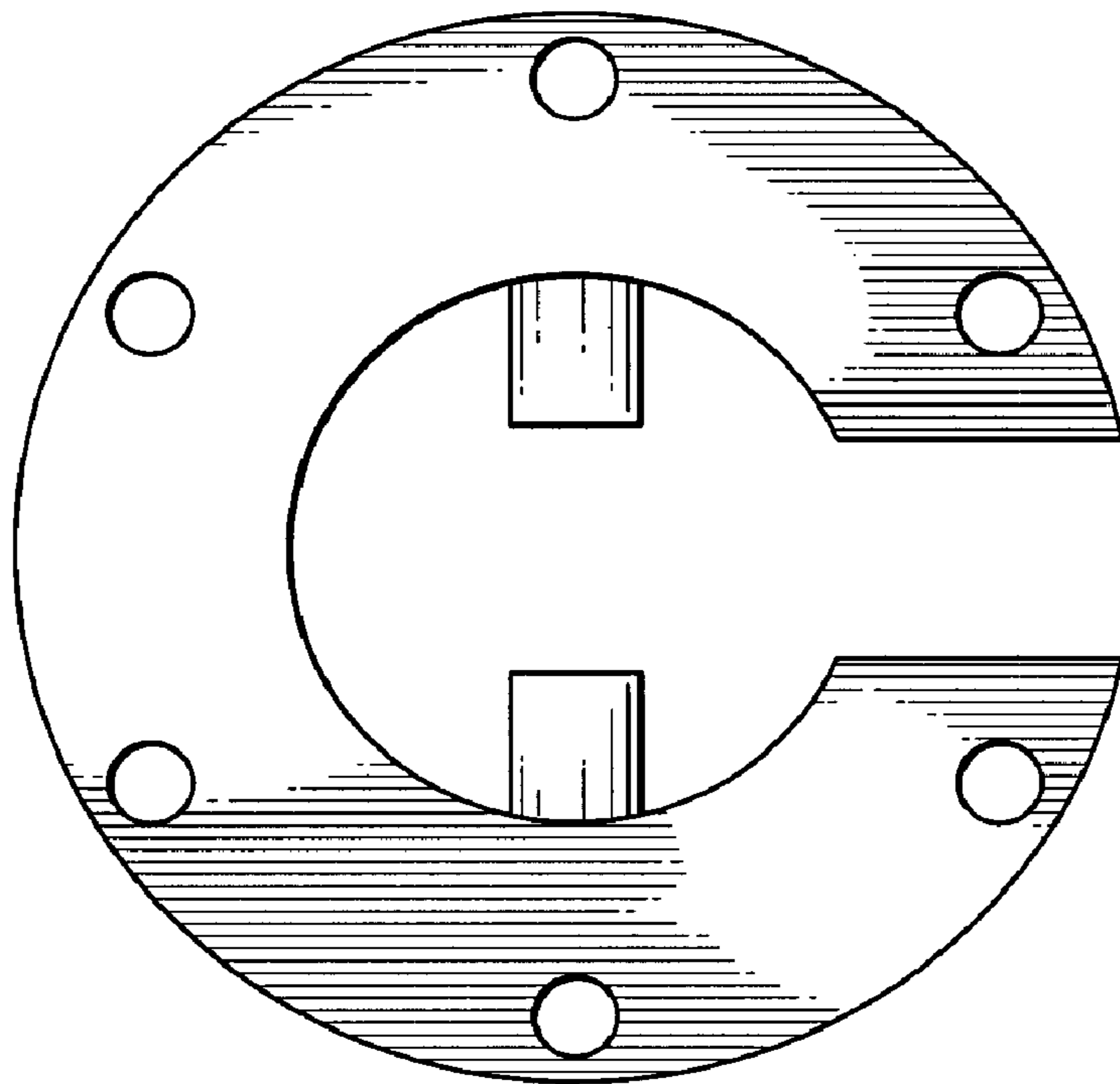


FIG. 6