



US00D573919S

(12) **United States Design Patent**  
**Bauer et al.**

(10) **Patent No.:** **US D573,919 S**  
(45) **Date of Patent:** **\*\* Jul. 29, 2008**

(54) **VEHICLE, TOY, AND/OR OTHER REPLICAS**

(75) Inventors: **Karlheinz Bauer**, Esslingen (DE);  
**Hans-Dieter Futschik**, Gechingen (DE);  
**Holger Hutzenlaub**, Boeblingen (DE);  
**Steffen Koehl**, Stuttgart (DE); **Peter Pfeiffer**, Boeblingen (DE)

(73) Assignee: **Daimler AG**, Stuttgart (DE)

(\*\*) Term: **14 Years**

(21) Appl. No.: **29/287,959**

(22) Filed: **Oct. 4, 2007**

(30) **Foreign Application Priority Data**

Apr. 5, 2007 (EM) ..... 000702147

(51) **LOC (8) Cl.** ..... **12-08**

(52) **U.S. Cl.** ..... **D12/92**

(58) **Field of Classification Search** ..... D12/86,  
D12/90-92; 296/181.1, 181.5

See application file for complete search history.

(56) **References Cited**

**U.S. PATENT DOCUMENTS**

D514,027 S \* 1/2006 Pfeiffer et al. .... D12/92  
D560,556 S \* 1/2008 Pfeiffer et al. .... D12/92

\* cited by examiner

*Primary Examiner*—Melody N Brown  
(74) *Attorney, Agent, or Firm*—Crowell & Moring LLP

(57) **CLAIM**

The ornamental design for a vehicle, toy, and/or other replicas, as shown and described.

**DESCRIPTION**

FIG. 1 is a left, front perspective view of a vehicle, toy, and/or other replicas according to our novel design, the right, front perspective view being mirror symmetrical;

FIG. 2 is a left, rear perspective view thereof;

FIG. 3 is a right, rear perspective view thereof;

FIG. 4 is a right, rear, elevated perspective view thereof, the left, rear, elevated perspective view being mirror symmetrical;

FIG. 5 is a top view thereof, from the left side, the top perspective view from the right side being mirror symmetrical;

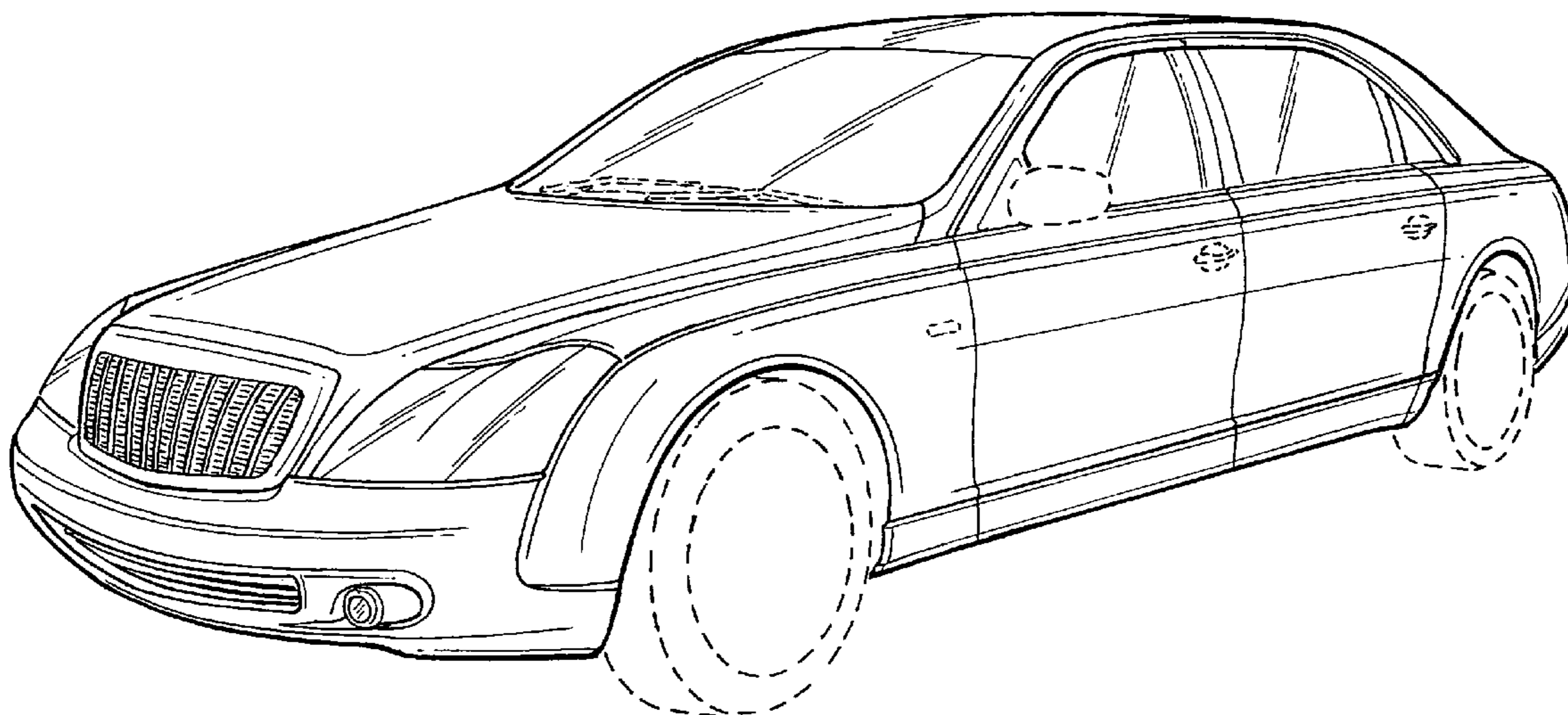
FIG. 6 is a top plan view thereof;

FIG. 7 is a front elevation view thereof; and,

FIG. 8 is a rear elevation view thereof.

The broken lines are for illustrative purposes only and form no part of the claimed design.

**1 Claim, 7 Drawing Sheets**



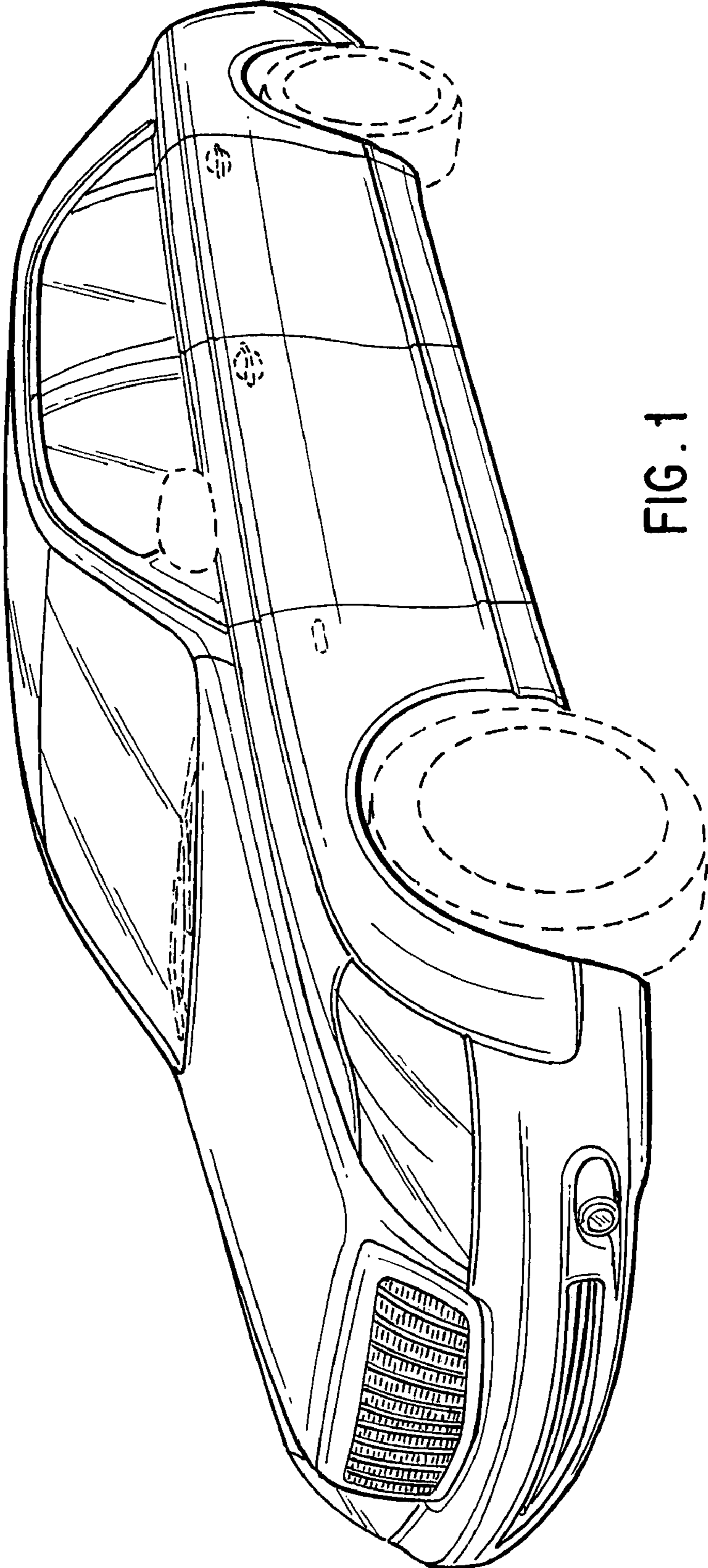


FIG. 1

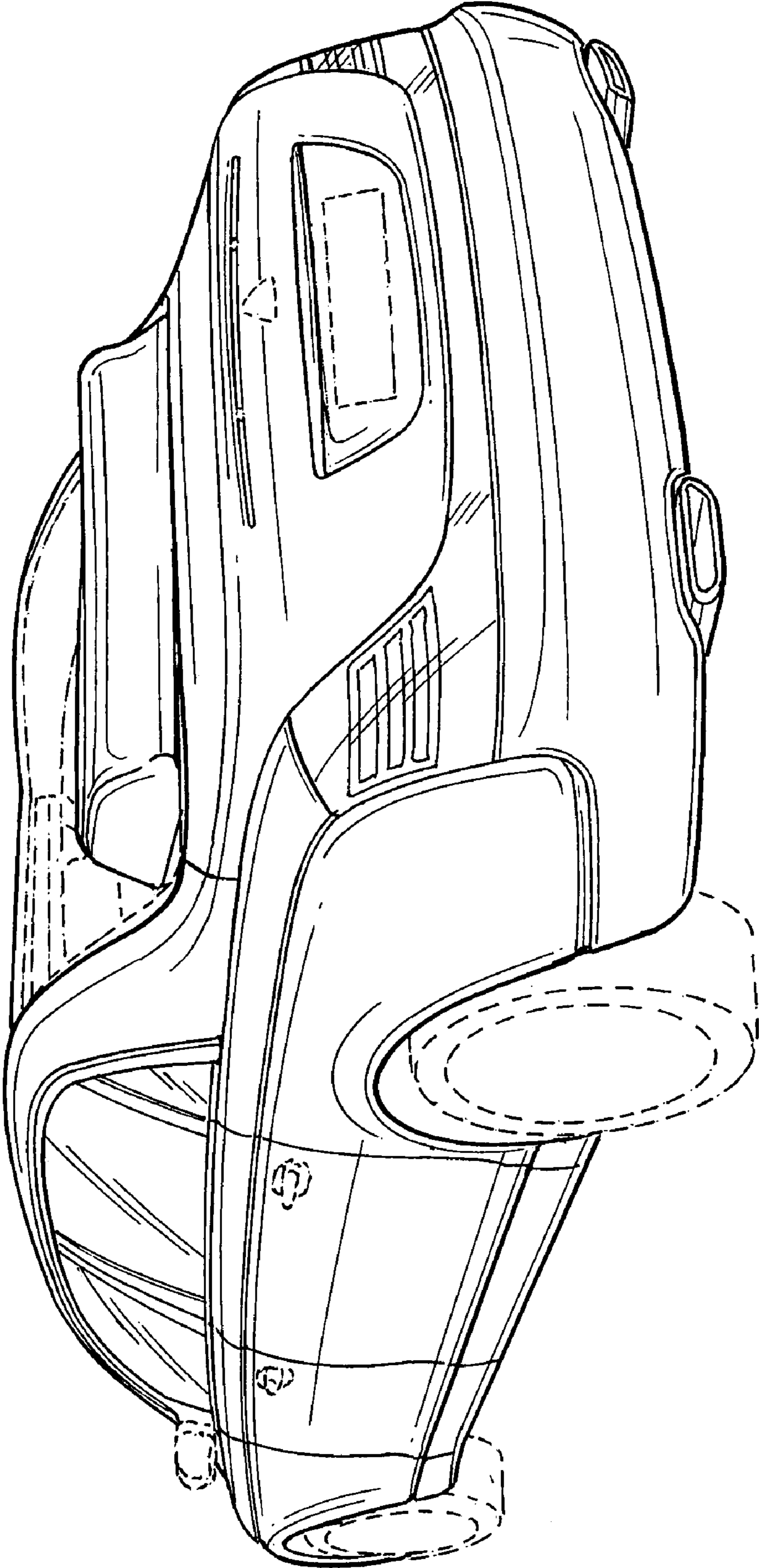


FIG. 2

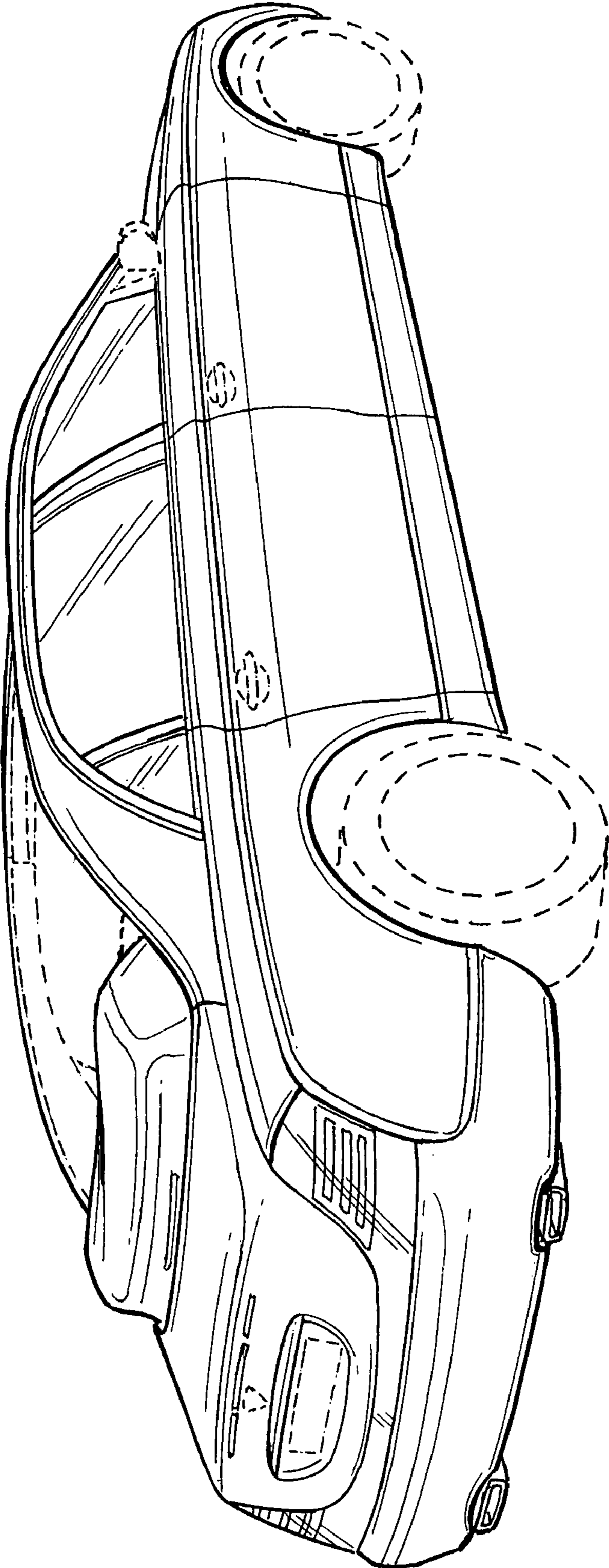


FIG. 3

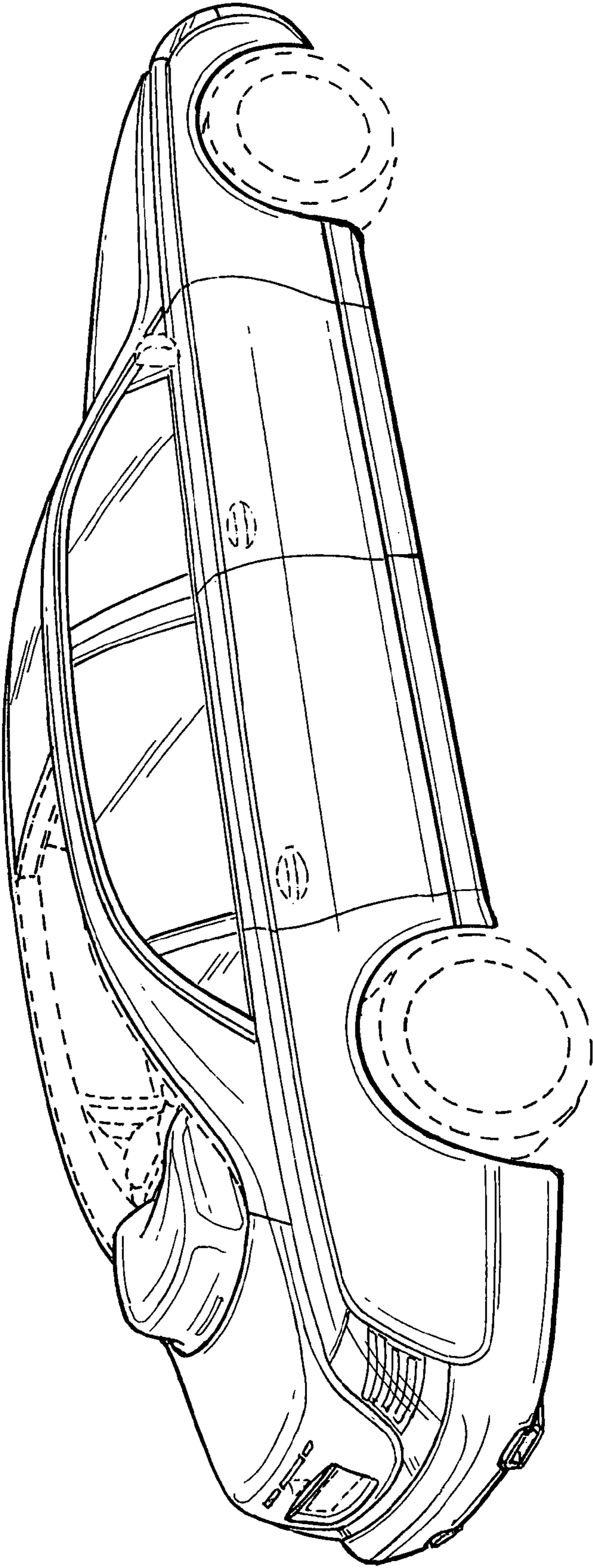


FIG. 4

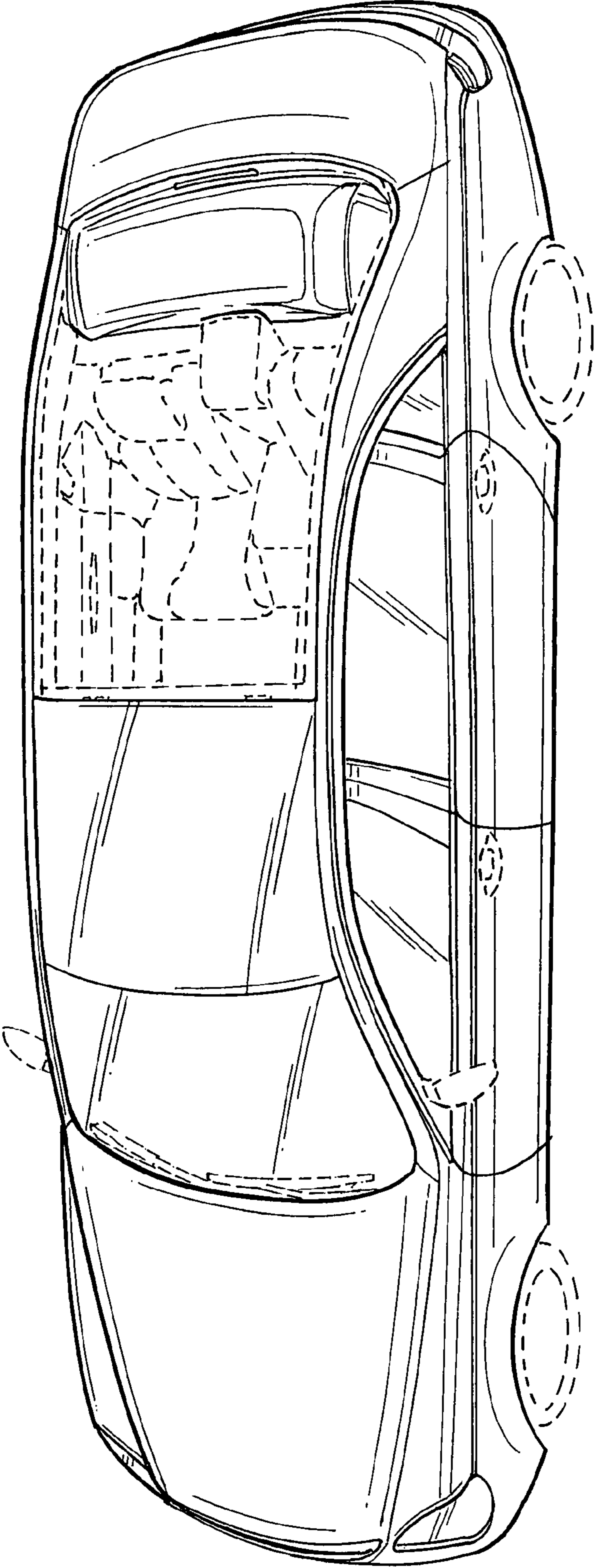


FIG. 5

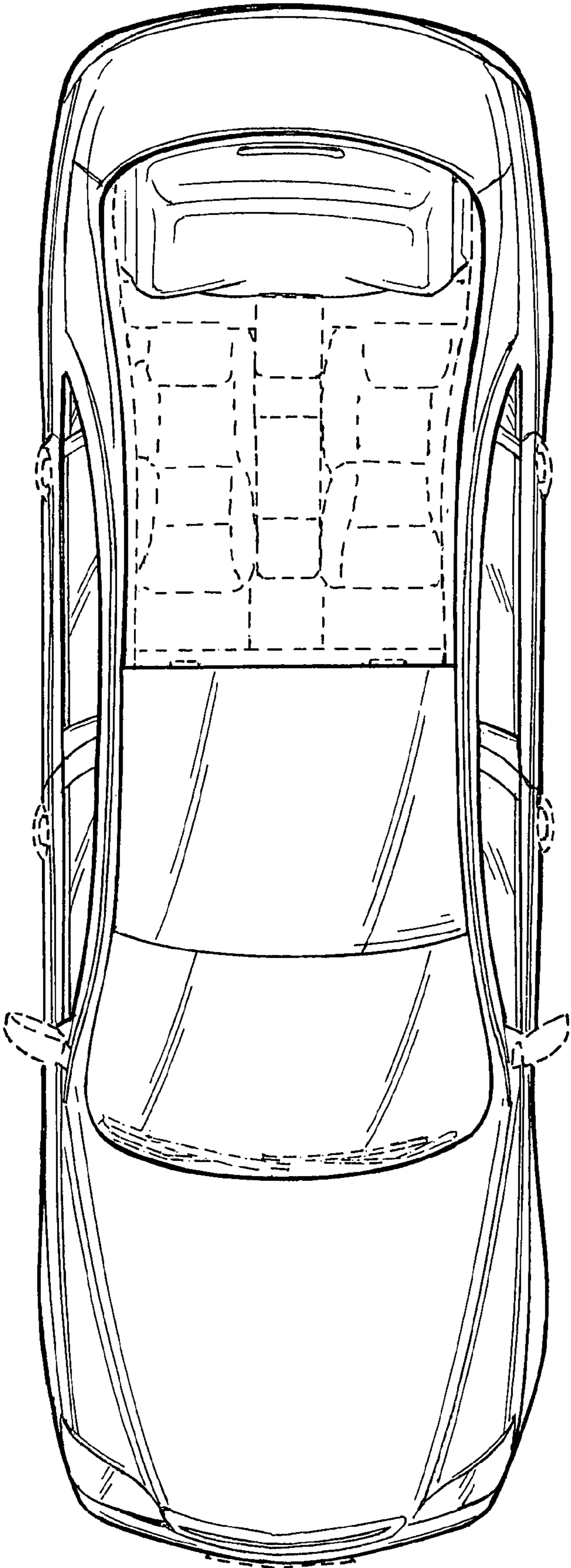


FIG. 6

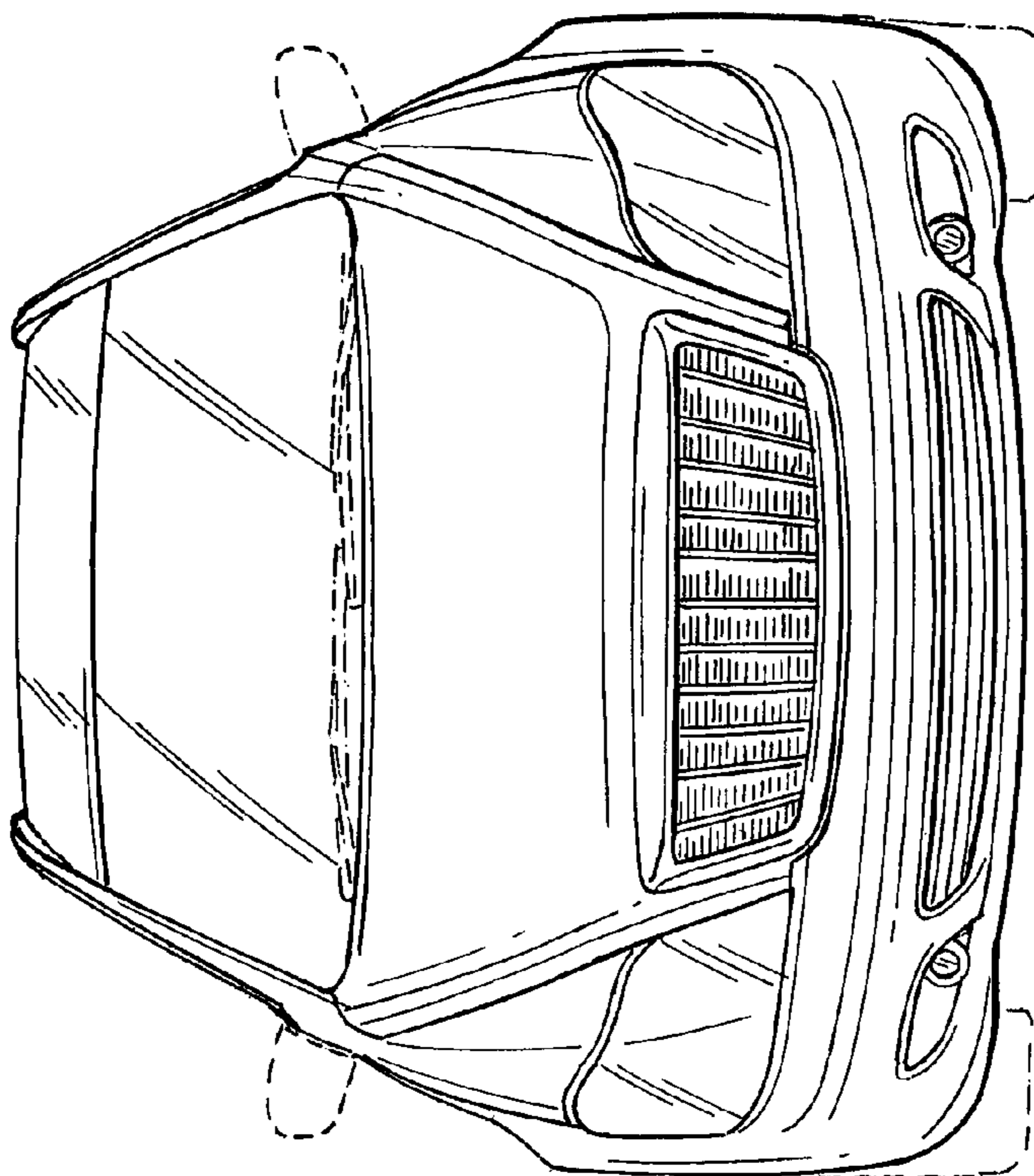


FIG. 7

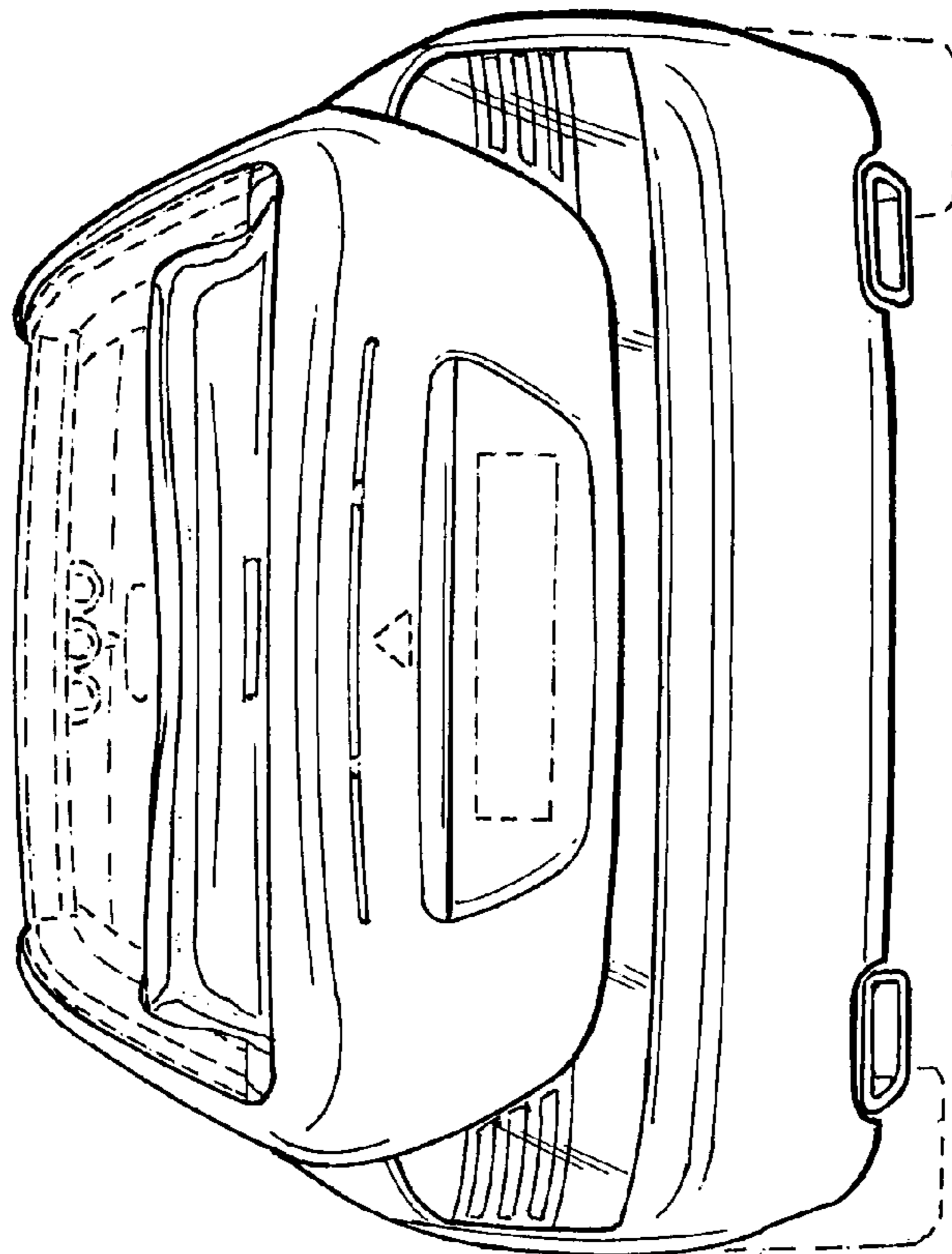


FIG. 8