



US00D573911S

(12) **United States Design Patent**  
**O’Grady et al.**

(10) **Patent No.:** **US D573,911 S**  
(45) **Date of Patent:** **\*\* Jul. 29, 2008**

(54) **TRIPLE-BEAM BALANCE**

(75) Inventors: **Richard M. O’Grady**, Southington, CT (US); **Zbigniew Pobocho**, Brookside, NJ (US); **Thomas Rapa**, Bradley Beach, NJ (US); **Felix Holken**, Morristown, NJ (US); **Jose A. Giron, Jr.**, West Orange, NJ (US)

(73) Assignee: **Ohaus Corporation**, Pine Brook, NJ (US)

(\*\*) Term: **14 Years**

(21) Appl. No.: **29/283,550**

(22) Filed: **Aug. 16, 2007**

(51) **LOC (8) Cl.** ..... **10-04**  
(52) **U.S. Cl.** ..... **D10/90**  
(58) **Field of Classification Search** ..... D10/90;  
177/190–200, 238–243, 246–252  
See application file for complete search history.

(56) **References Cited**

**U.S. PATENT DOCUMENTS**

D139,060 S 10/1944 Dreyfuss  
D263,286 S 3/1982 Strathman  
D528,935 S \* 9/2006 Cumbach ..... D10/90

**OTHER PUBLICATIONS**

Adam Equipment, “TBB Triple Beam Balances” brochure (2007).  
Adam Equipment, “TBB—Triple Beam Balances” brochure (Nov. 6, 2007).  
Changshu Tianshun web page, <http://www.tsscale.com/ebalance.htm> (undated; accessed Nov. 8, 2007).  
GKI Technologies, “My Weigh” web page, [http://www.myweigh.com/mediumscales\\_3beam.html](http://www.myweigh.com/mediumscales_3beam.html) (1994-2006; accessed Nov. 8, 2007).

Nanjing East High Measurement Co., Ltd., Measuretek® web page, <http://www.scalesline.com/products/Mechanical-Balance-2.html> (undated; accessed Nov. 9, 2007).

Ohaus Scale Corporation, U.S. Trademark Registration No. 1,340,158 (Jun. 11, 1985).  
Ohaus Scale Corporation, “Triple Beam Balances,” pp. 27-30 (undated).

\* cited by examiner

*Primary Examiner*—Antoine D Davis

(74) *Attorney, Agent, or Firm*—Ropes & Gray LLP; Jeffrey H. Ingerman

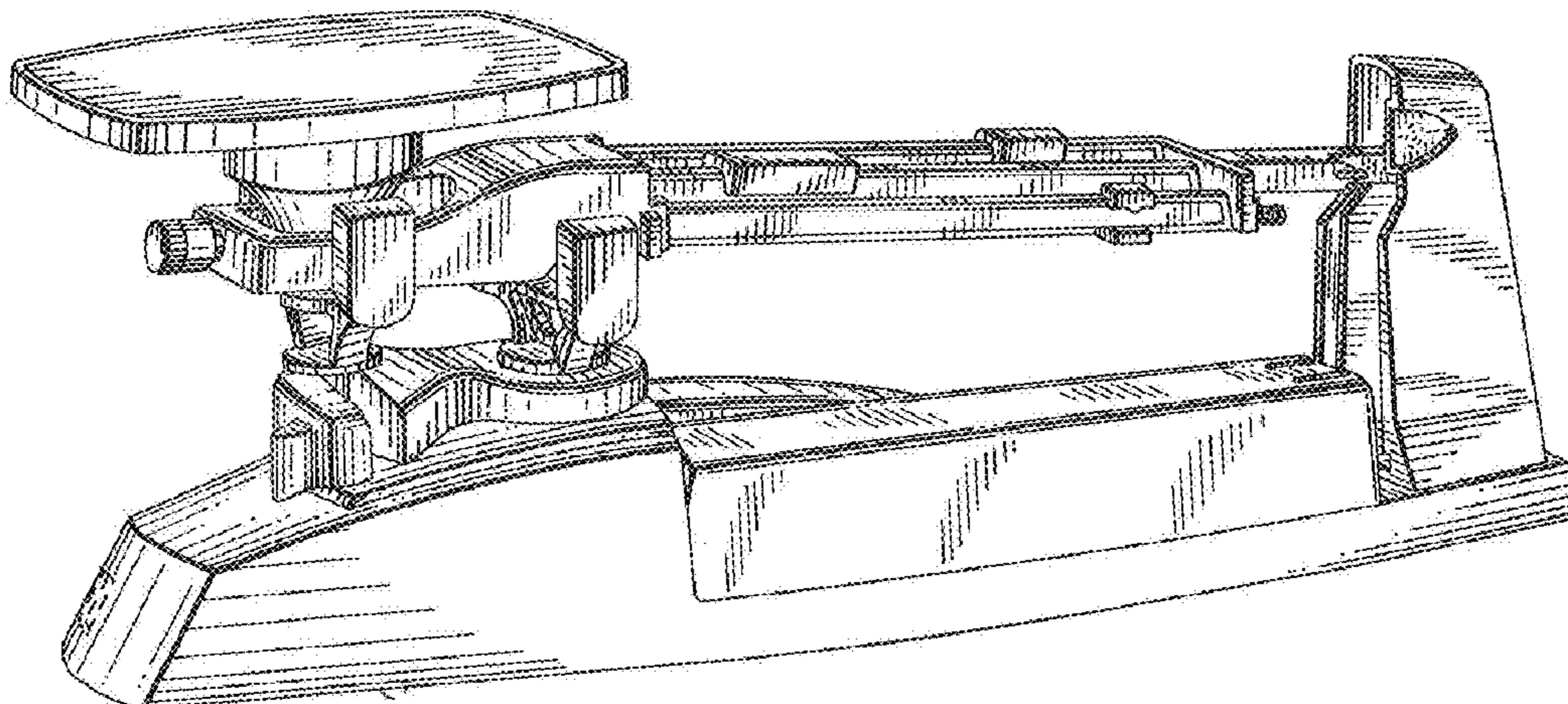
(57) **CLAIM**

The ornamental design for a triple-beam balance, as shown and described.

**DESCRIPTION**

FIG. 1 is a front, left, top, perspective view of a triple-beam balance, showing our new design;  
FIG. 2 is a top plan view thereof;  
FIG. 3 is a front elevational view thereof;  
FIG. 4 is a left side elevational view thereof;  
FIG. 5 is a right side elevational view thereof;  
FIG. 6 is a rear elevational view thereof;  
FIG. 7 is a bottom plan view thereof;  
FIG. 8 is a top view of the base thereof below the pan, taken from line 8—8 of FIG. 3;  
FIG. 9 is front, left, top, perspective view thereof with the weight cover removed, showing the weights; and,  
FIG. 10 is front, left, top, perspective view thereof with the weight cover and weights removed.

**1 Claim, 7 Drawing Sheets**





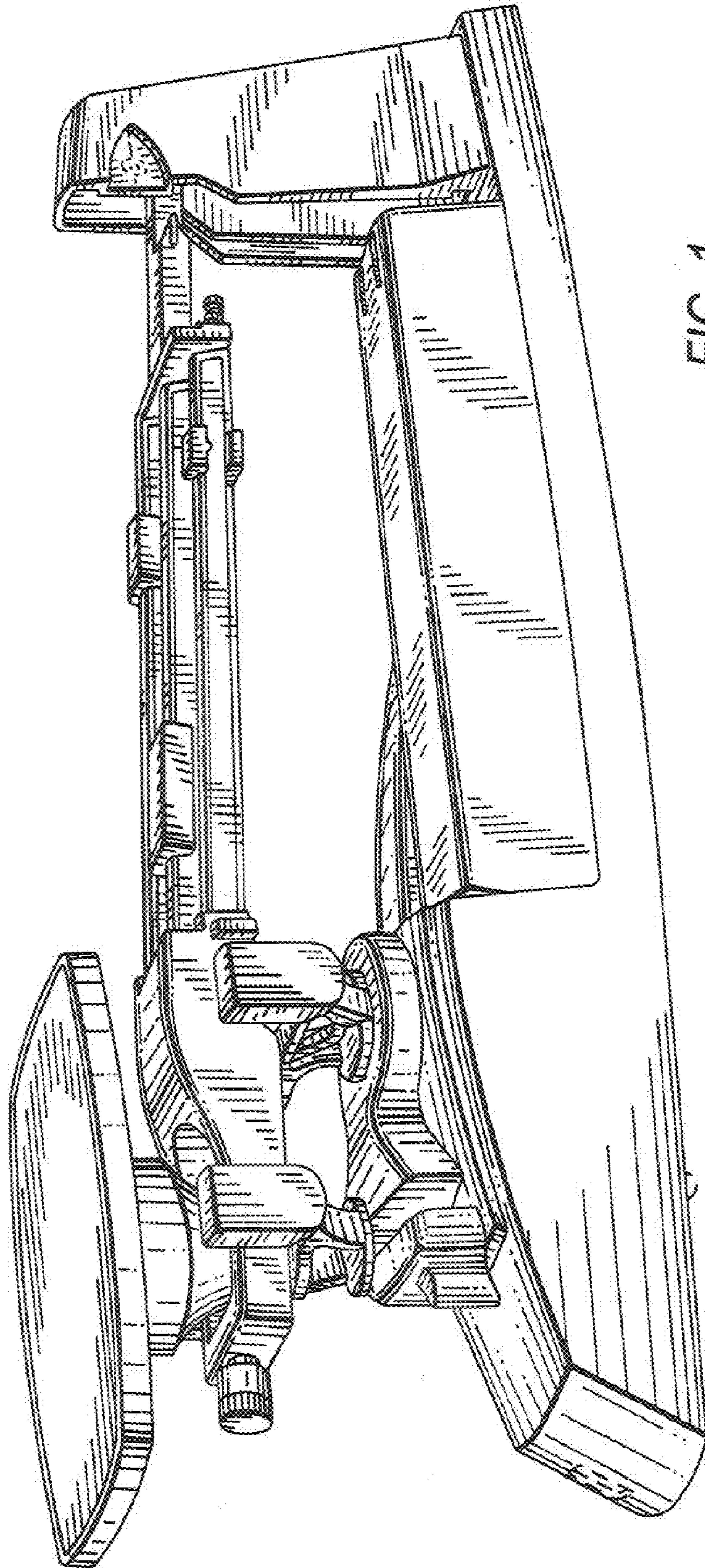


FIG. 1



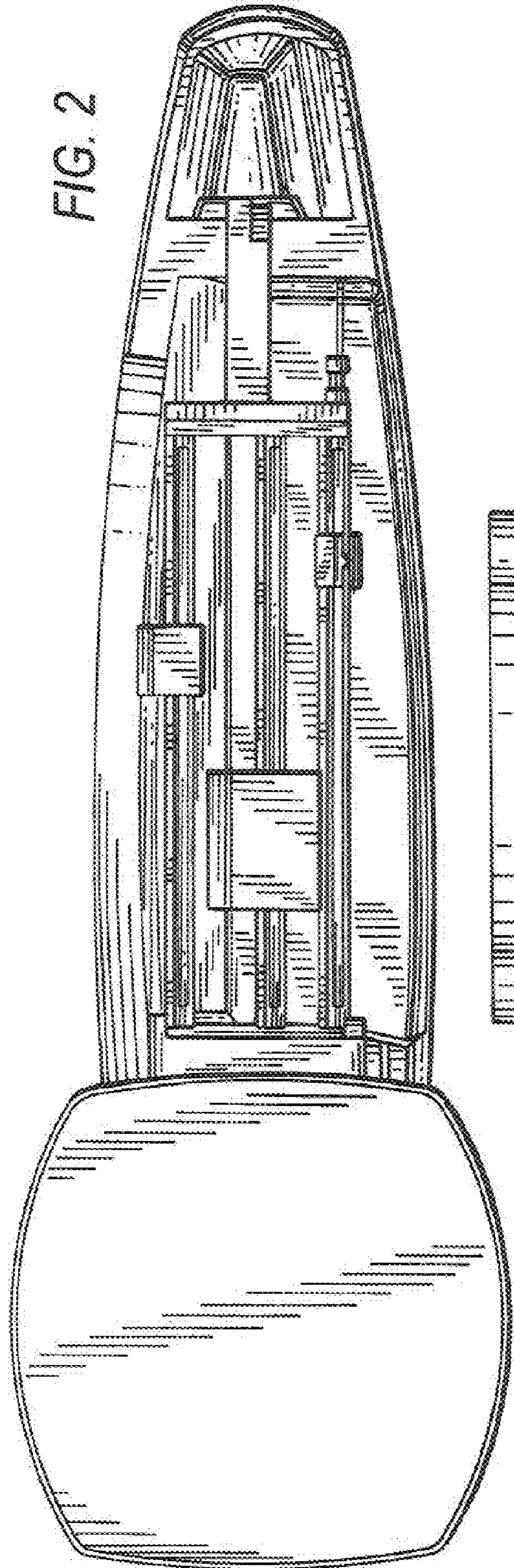


FIG. 2

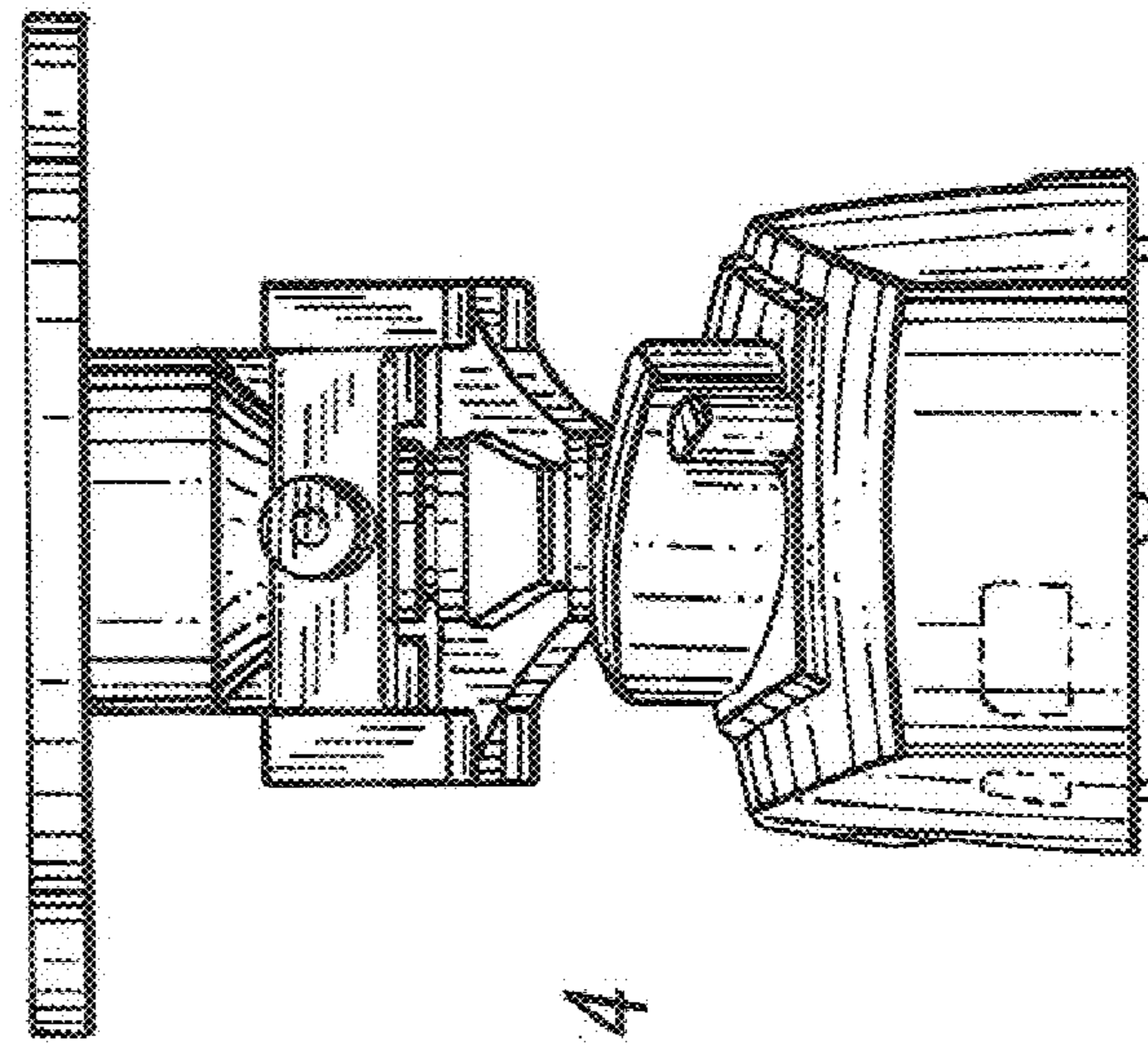


FIG. 4

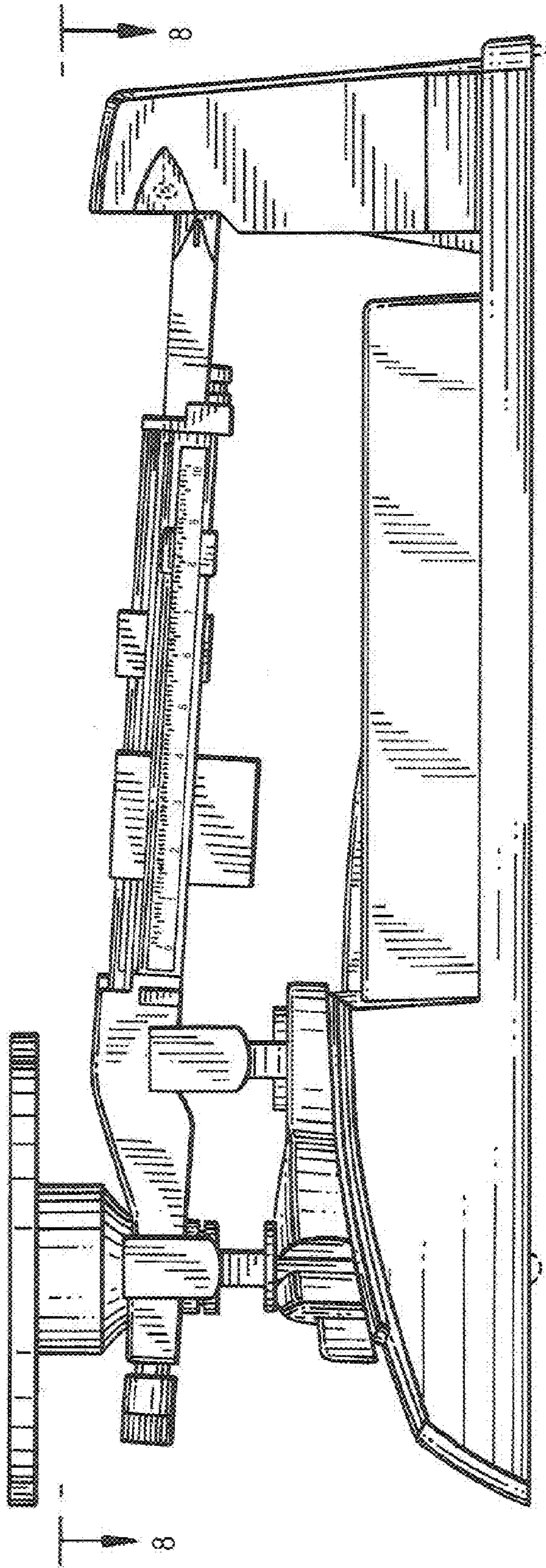


FIG. 3



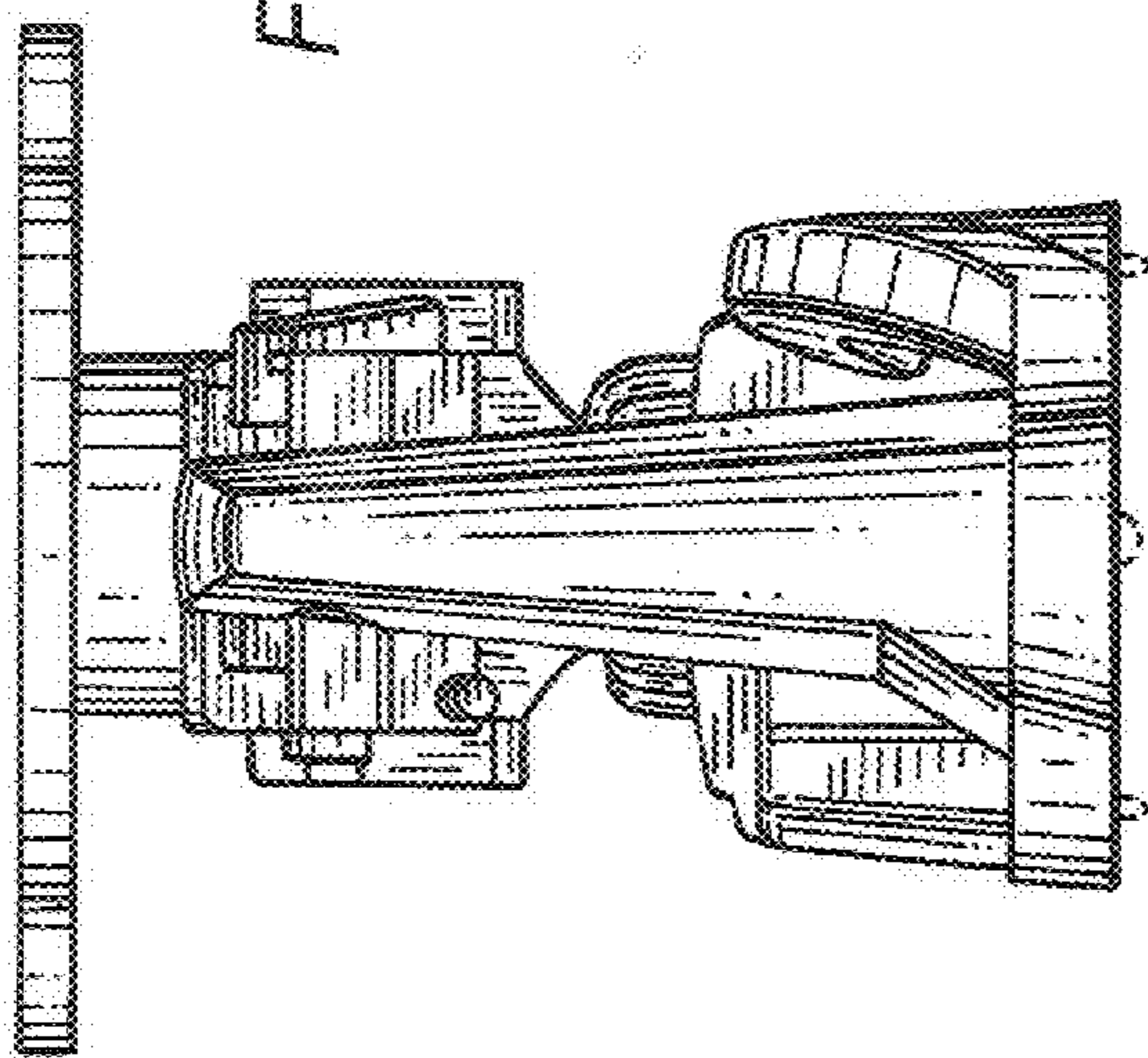
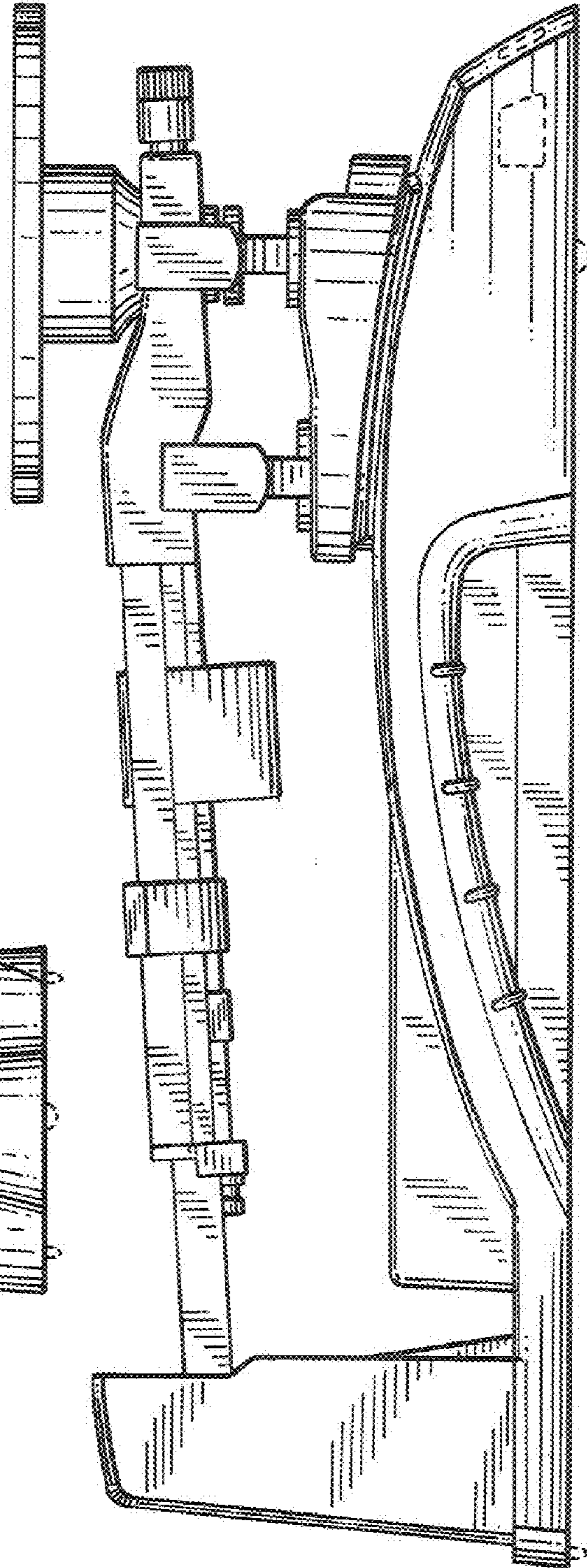
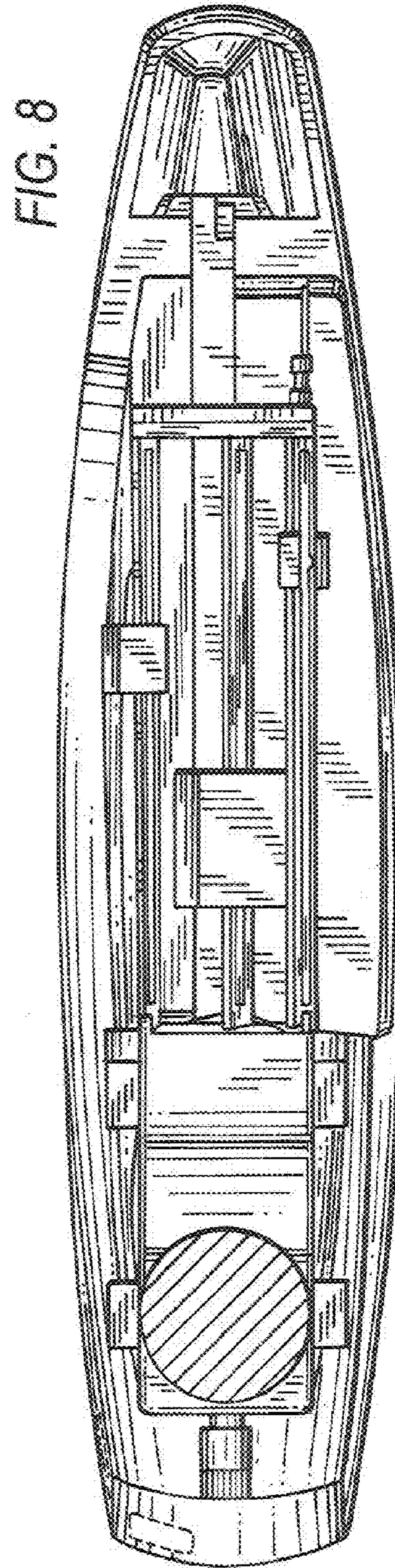
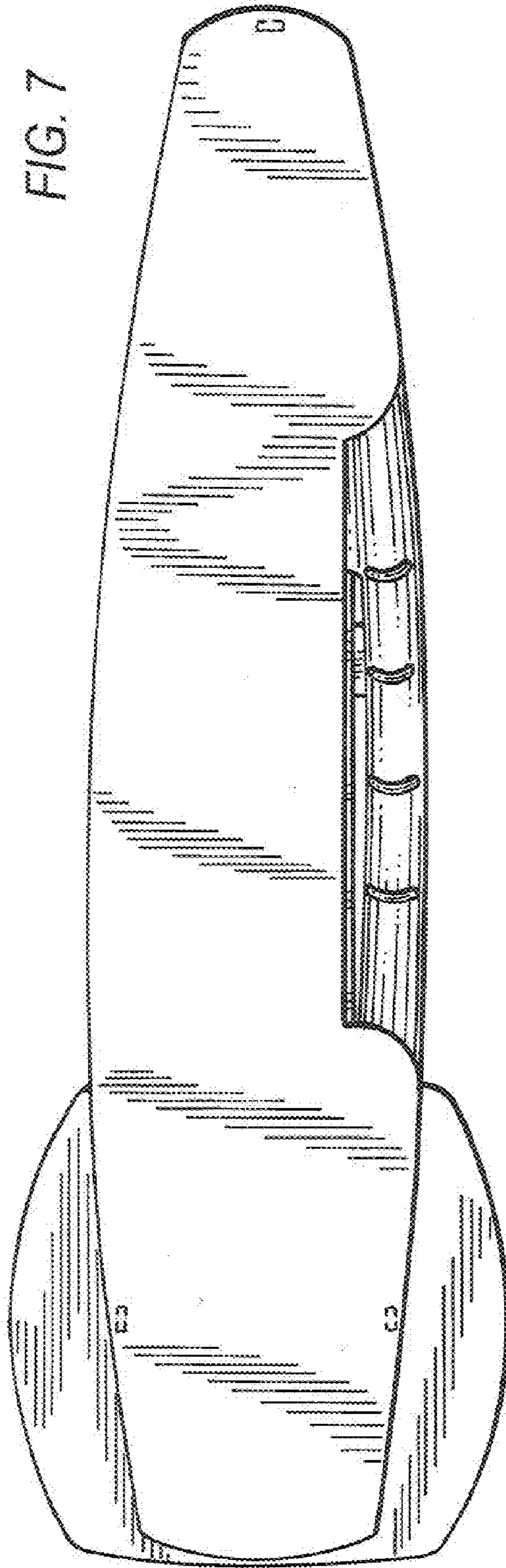


FIG. 5

FIG. 6









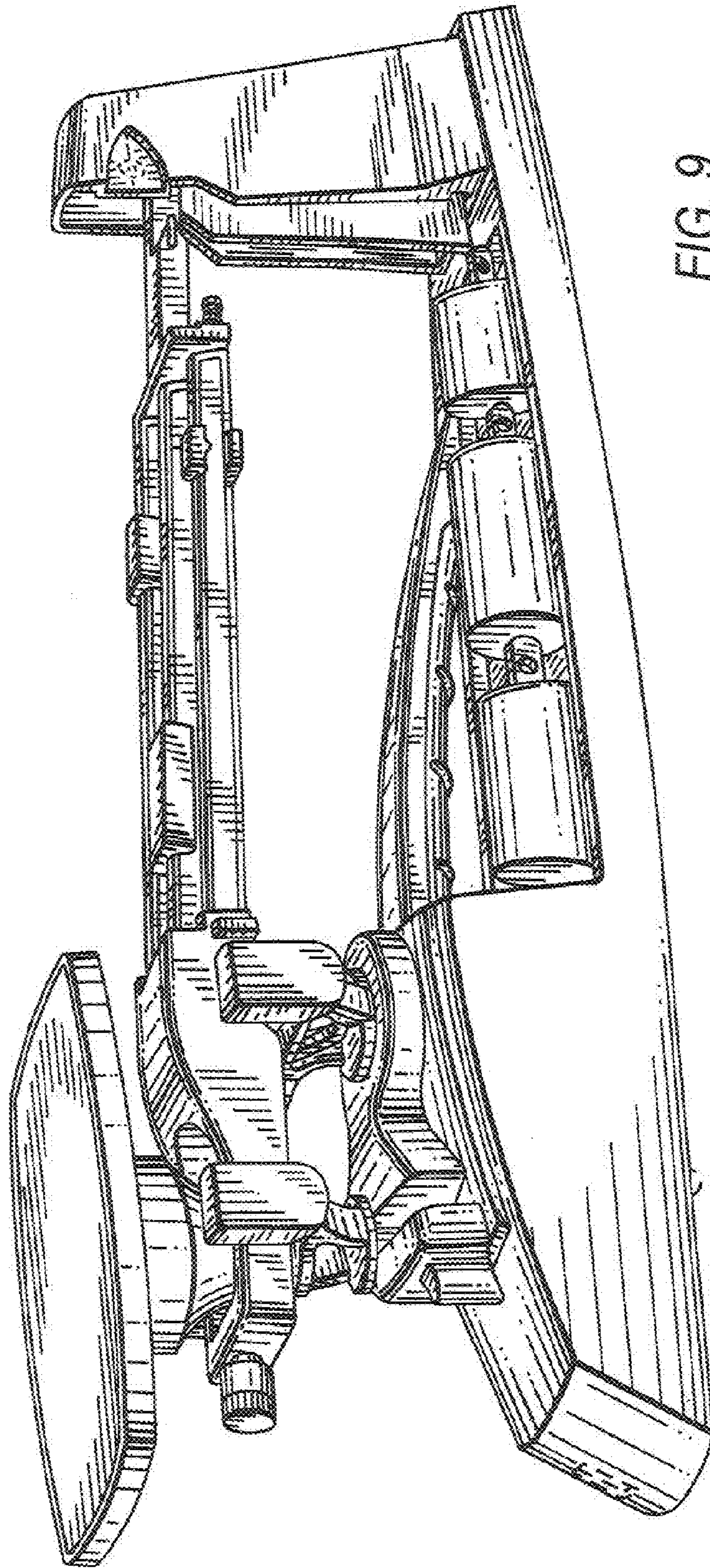


FIG. 9



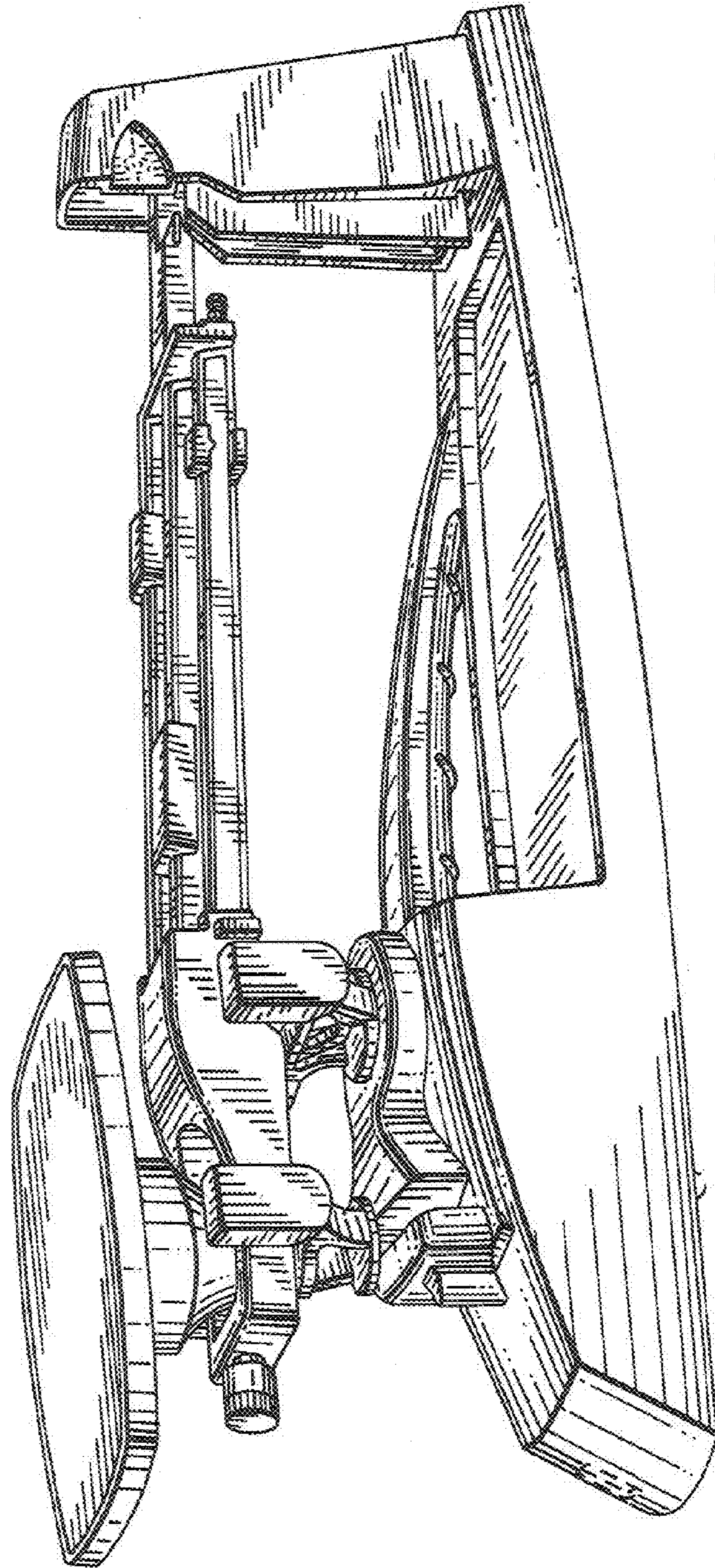


FIG. 10