

US00D573909S

(12) **United States Design Patent**
Veening et al.

(10) **Patent No.:** **US D573,909 S**
(45) **Date of Patent:** **** Jul. 29, 2008**

(54) **DETERGENT SENSOR FOR A WAREWASH MACHINE**

6,958,893 B2 * 10/2005 Yuan 361/19

(75) Inventors: **Jan Eduard Veening**, De Meern (NL);
Lambertus Gerardus Petrus Van der Heijden, Bunnik (NL); **Robert Jan Reinier Uhlhorn**, Tricht (NL)

* cited by examiner

Primary Examiner—Antoine D Davis

(74) *Attorney, Agent, or Firm*—Gregory S. Bollis

(73) Assignee: **Johnsondiversey, Inc.**, Sturtevant, WI (US)

(57) **CLAIM**

(**) Term: **14 Years**

The ornamental design for a detergent sensor for a warewash machine, as shown and described.

(21) Appl. No.: **29/275,065**

(22) Filed: **Dec. 12, 2006**

DESCRIPTION

Related U.S. Application Data

(63) Continuation of application No. 11/570,474, filed on Jun. 27, 2007.

FIG. 1 is a top perspective view of a detergent sensor for a warewash machine embodying our new design;

(30) **Foreign Application Priority Data**

Mar. 24, 2005 (EP) 05102413

FIG. 2 is a front elevational view thereof;

FIG. 3 is a rear elevational view thereof;

(51) **LOC (8) Cl.** **10-04**

(52) **U.S. Cl.** **D10/81; D10/102**

(58) **Field of Classification Search** D10/46,
D10/81, 102; 40/539.22; 73/61.49, 592,
73/61.45, 61.75; 134/133; 222/23; 340/522,
340/539.1, 539.26, 618, 870.01

FIG. 4 is a right side elevational view thereof;

FIG. 5 is a left side elevational view thereof;

FIG. 6 is a top plan view thereof; and,

FIG. 7 is a bottom view thereof.

See application file for complete search history.

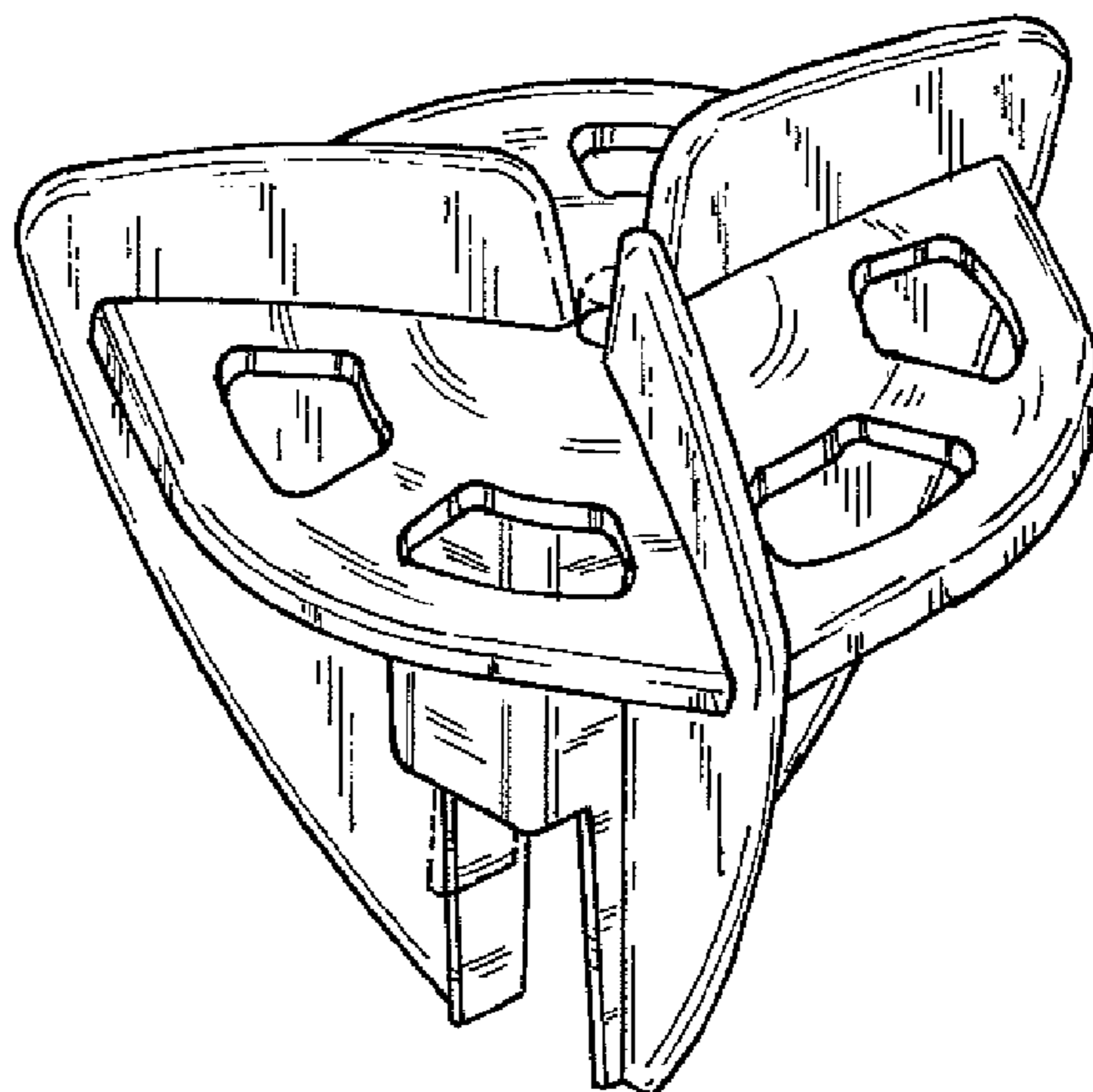
The broken line representations of LEDs in FIGS. 1, 2, 3, 4 and 5, and the broken line representations of electrical contacts in FIGS. 1, 3, 4, 5 and 7 are for illustrative purposes only and form no part of the claimed design.

(56) **References Cited**

U.S. PATENT DOCUMENTS

6,196,059 B1 * 3/2001 Kosslinger et al. 73/61.49

1 Claim, 2 Drawing Sheets



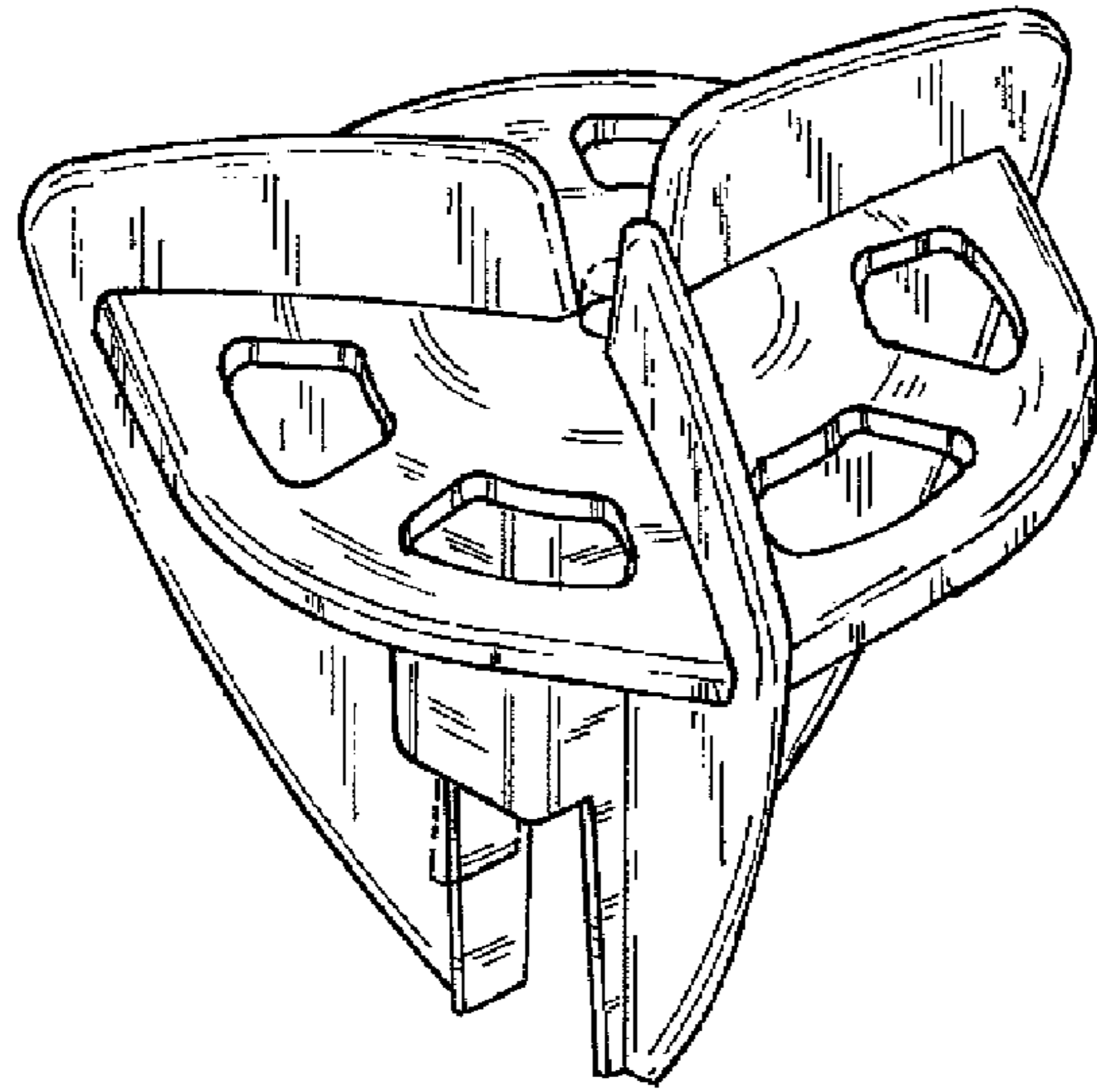


FIG. 1

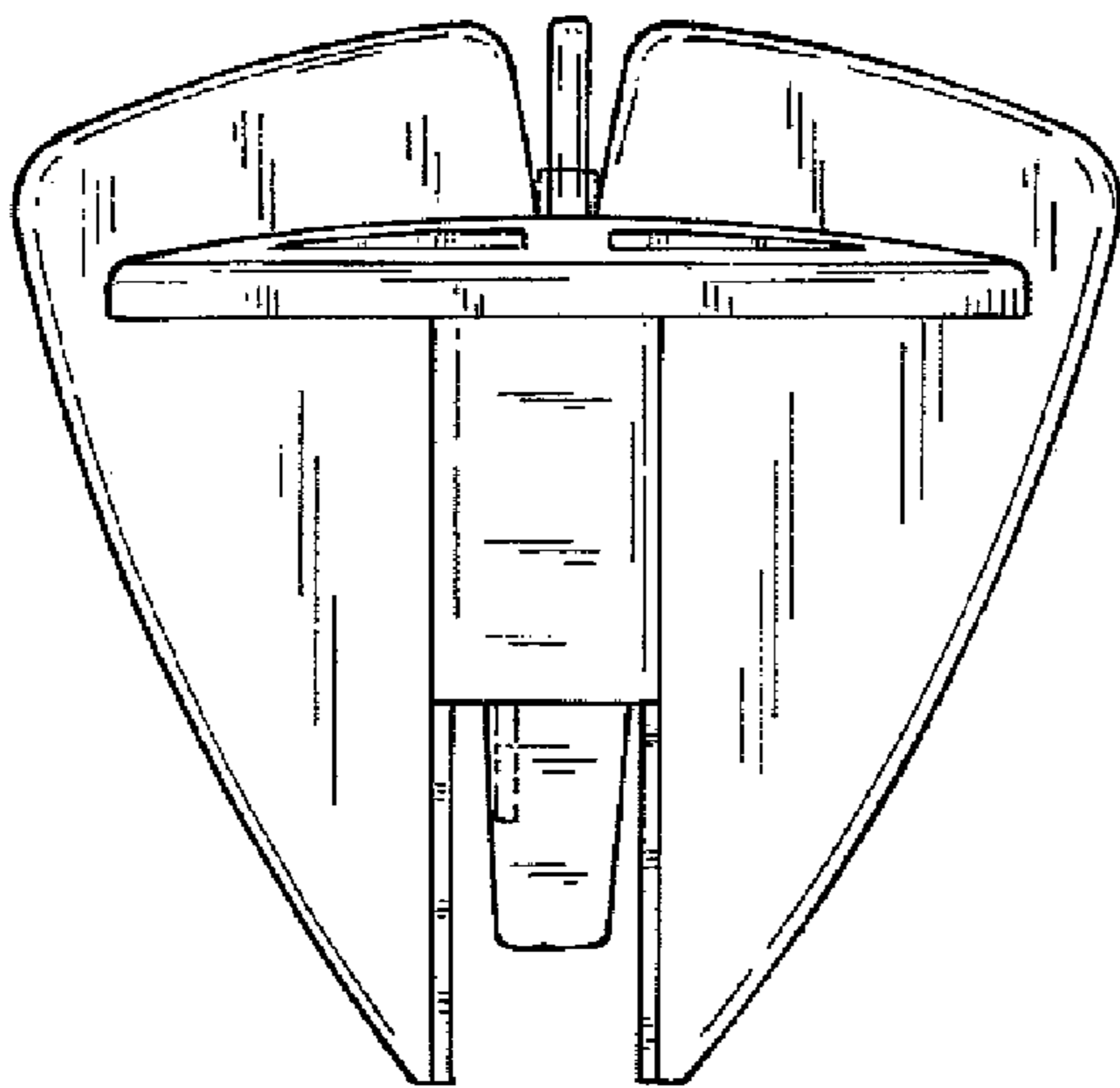


FIG. 3

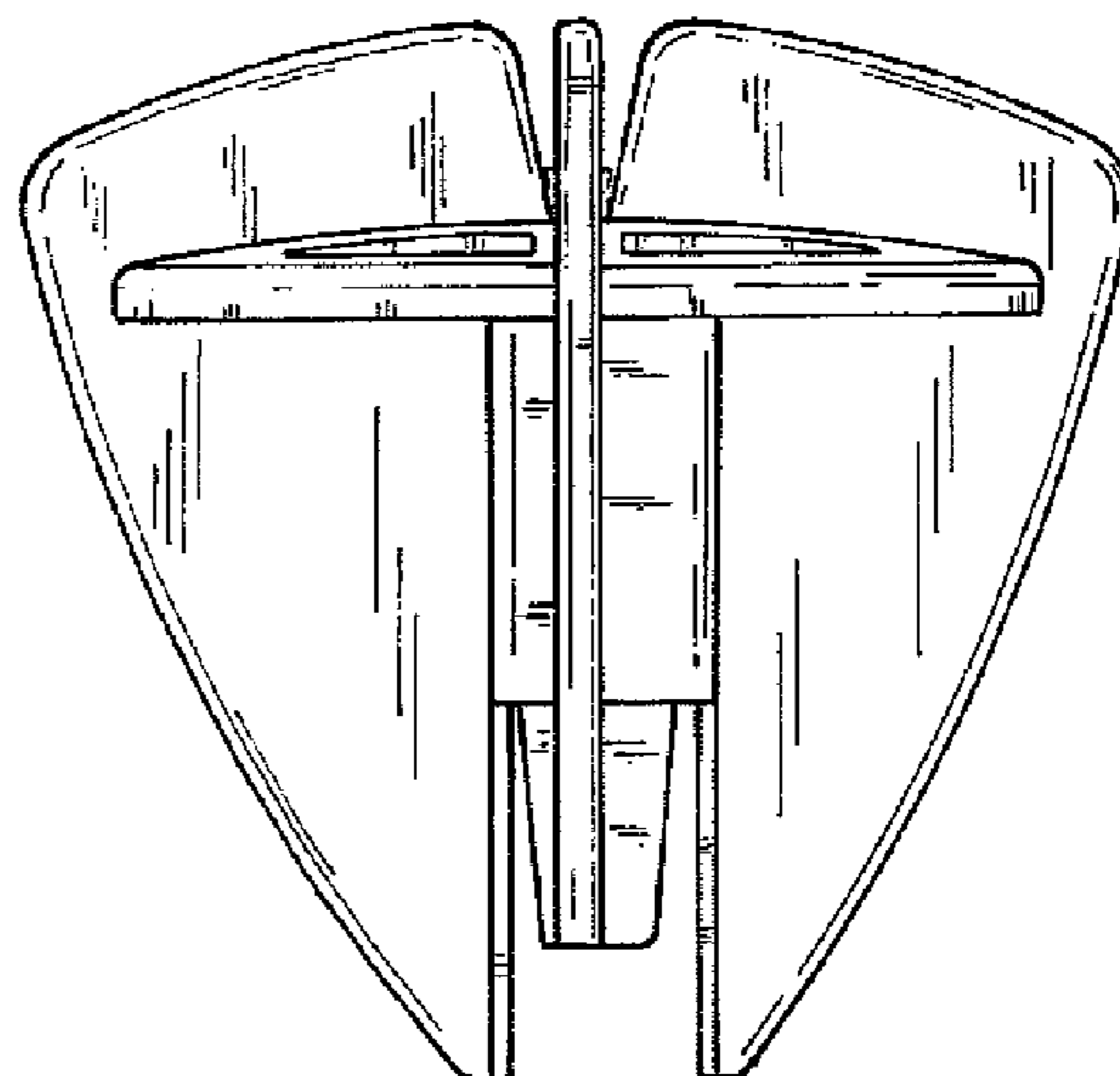


FIG. 2

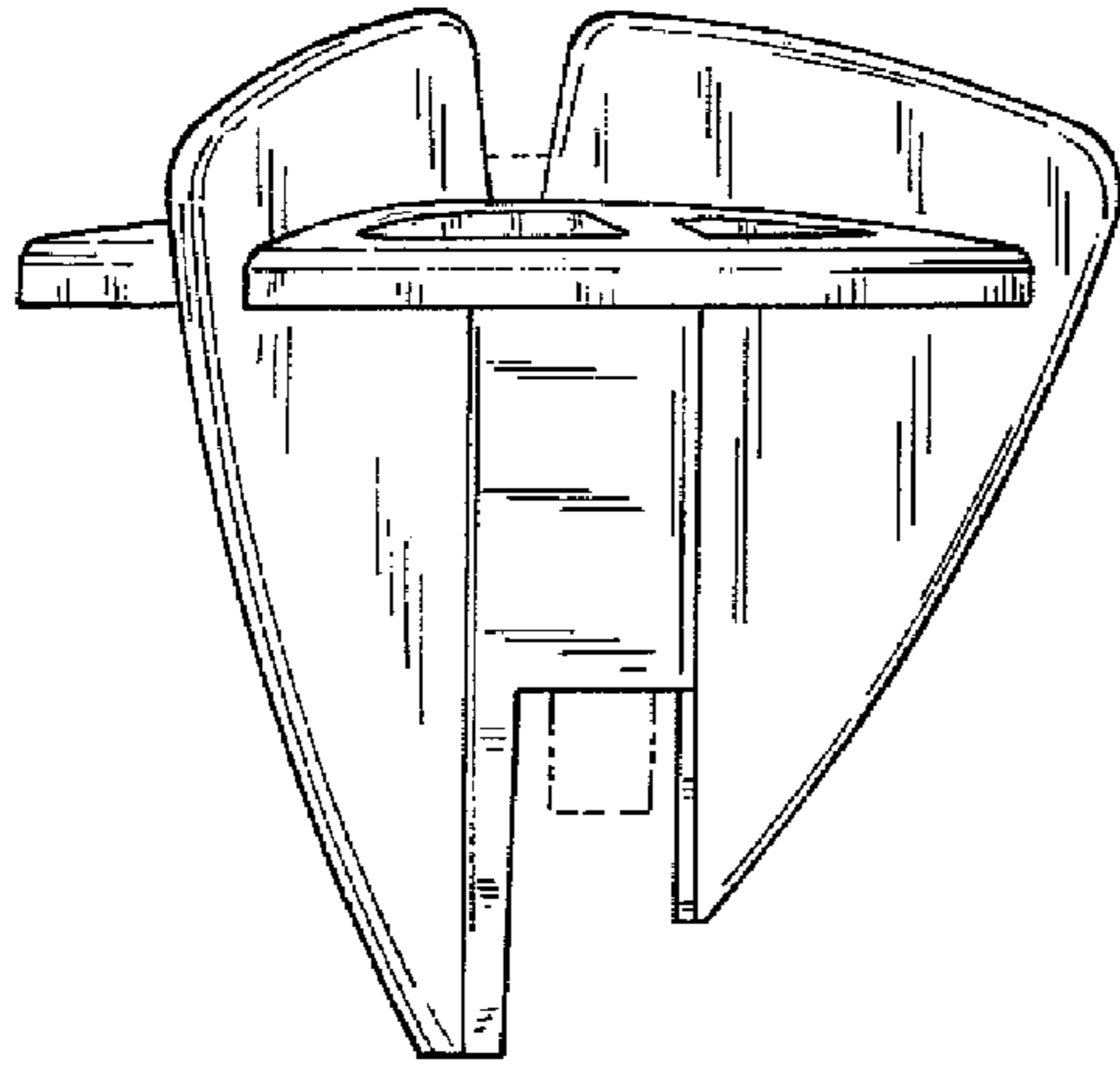


FIG. 4

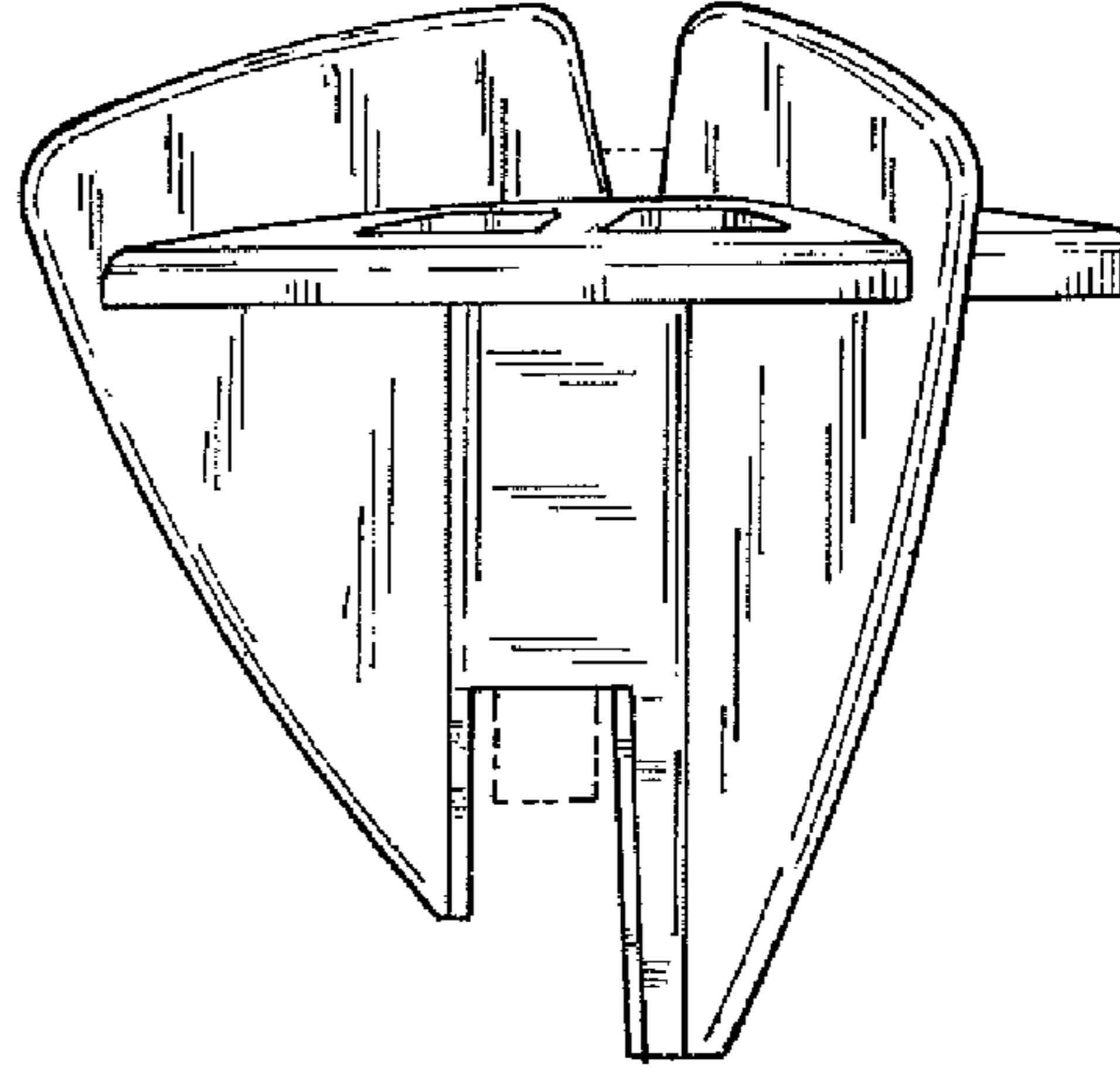


FIG. 5

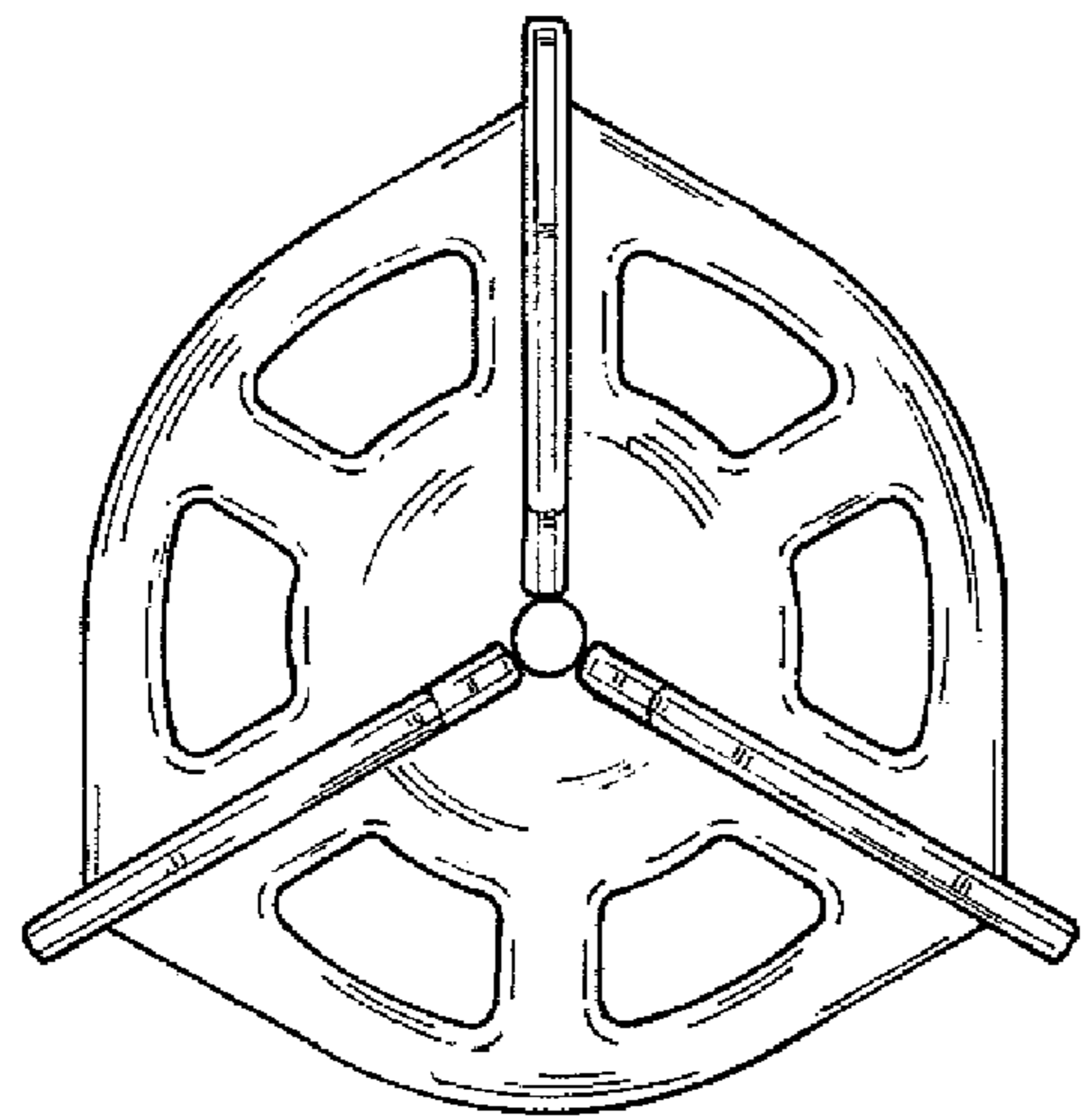


FIG. 6

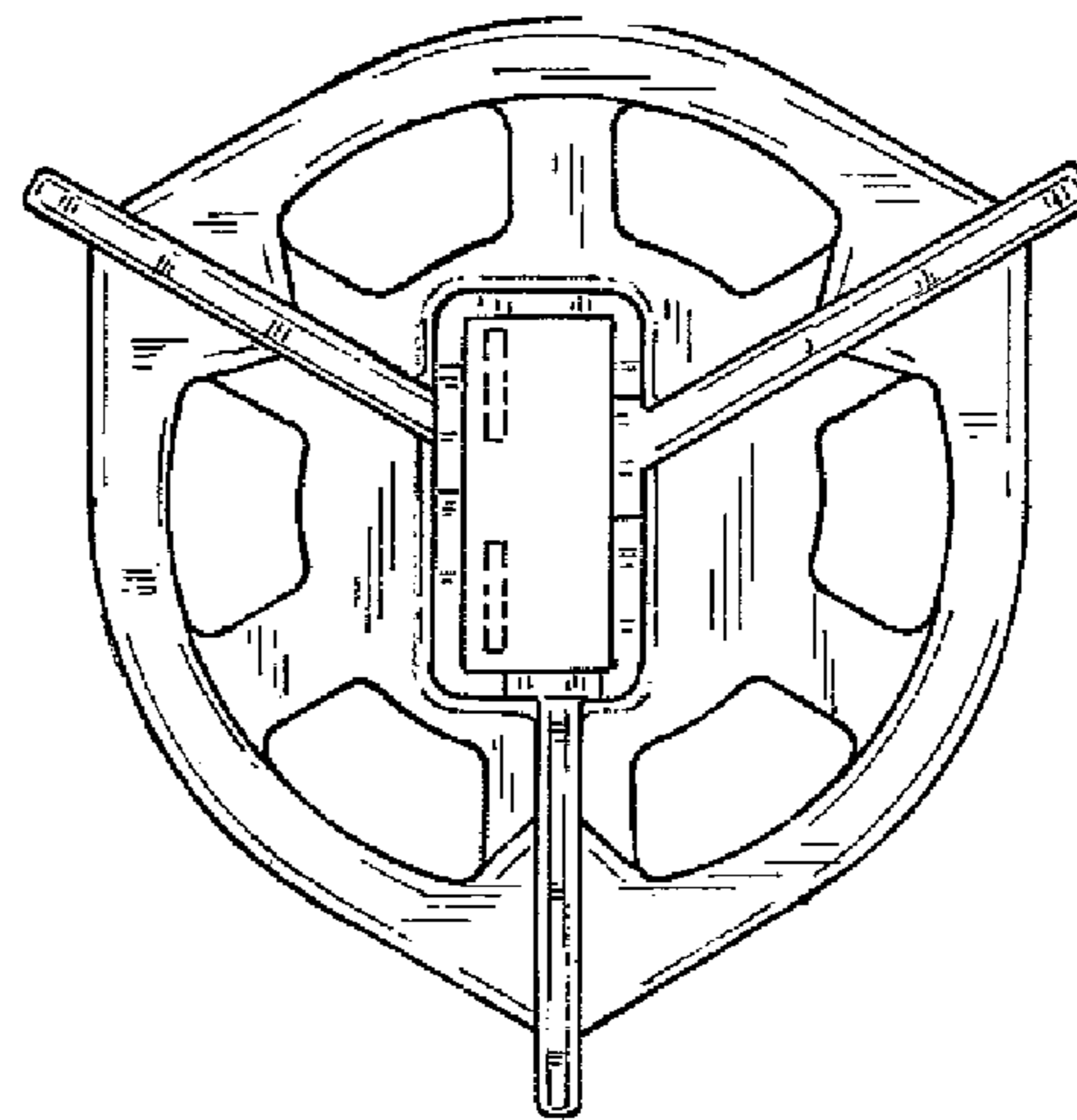


FIG. 7

UNITED STATES PATENT AND TRADEMARK OFFICE
CERTIFICATE OF CORRECTION

PATENT NO. : Des. 573,909 S
APPLICATION NO. : 29/275065
DATED : December 12, 2006
INVENTOR(S) : Jan Eduard Veening et al.

Page 1 of 1

It is certified that error appears in the above-identified patent and that said Letters Patent is hereby corrected as shown below:

Title page

Add the additional information below:

Related U.S. Application Data, item

- (63) Continuation of application No. 11/570,474, filed on Jun. 27, 2007 which is a National filing under USC 371 of PCT patent application No. PCT/US2006/010329, filed on March 22, 2006

Signed and Sealed this

Twenty-first Day of October, 2008



JON W. DUDAS

Director of the United States Patent and Trademark Office

UNITED STATES PATENT AND TRADEMARK OFFICE
CERTIFICATE OF CORRECTION

PATENT NO. : Des. 573,909 S
APPLICATION NO. : 29/275065
DATED : July 29, 2008
INVENTOR(S) : Jan Eduard Veening et al.

Page 1 of 1

It is certified that error appears in the above-identified patent and that said Letters Patent is hereby corrected as shown below:

Title page

Add the additional information below:

Related U.S. Application Data, item

- (63) Continuation of application No. 11/570,474, filed on Jun. 27, 2007 which is a National filing under USC 371 of PCT patent application No. PCT/US2006/010329, filed on March 22, 2006

This certificate supersedes the Certificate of Correction issued October 21, 2008.

Signed and Sealed this

Eleventh Day of November, 2008



JON W. DUDAS

Director of the United States Patent and Trademark Office