



US00D573908S

(12) **United States Design Patent**
Levinson

(10) **Patent No.:** **US D573,908 S**
(45) **Date of Patent:** **** Jul. 29, 2008**

(54) **SPIRIT LEVEL AND COMPONENTS THEREOF**

(75) Inventor: **Amy Levinson**, Upper Galilee 1 (IL)

(73) Assignee: **Kapro Industries. Ltd**, MP Bikat Beit Hakarem (IL)

(**) Term: **14 Years**

(21) Appl. No.: **29/290,139**

(22) Filed: **Oct. 25, 2007**

(51) **LOC (8) Cl.** **10-04**

(52) **U.S. Cl.** **D10/69**

(58) **Field of Classification Search** D10/69;
33/365, 366.11-366.27, 367-391

See application file for complete search history.

(56) **References Cited**

U.S. PATENT DOCUMENTS

D479,139 S * 9/2003 Kallabis et al. D10/69

D498,152 S * 11/2004 Hickey D10/69

* cited by examiner

Primary Examiner—Antoine D Davis

(74) *Attorney, Agent, or Firm*—Harold L. Novick; The Nath Law Group

(57) **CLAIM**

The ornamental design for a spirit level and components thereof, substantially as shown and described.

DESCRIPTION

FIG. 1 is a front perspective view of a spirit level including a main body, a central horizontal bubble vial housing, a left side handgrip and a right side handgrip, a left side vertical bubble vial housing and a right side vertical bubble vial housing, a left side end cap and a right side end cap;

FIG. 2 is a front elevation view of the spirit level of FIG. 1; FIG. 3 is a right side elevation view of the spirit level of FIG. 1;

FIG. 4 is a top elevation view of the spirit level of FIG. 1; FIG. 5 is a bottom elevation view of the spirit level of FIG. 1;

FIG. 6 is a rear elevation view of the spirit level of FIG. 1;

FIG. 7 is a left side elevation view of the spirit level of FIG. 1;

FIG. 8 is a close up front perspective view of the left side end cap of the spirit level of FIG. 1;

FIG. 9 is a close up front elevation view of the end cap of FIG. 8;

FIG. 10 is a close up front perspective view of a hand grip of the spirit level of FIG. 1;

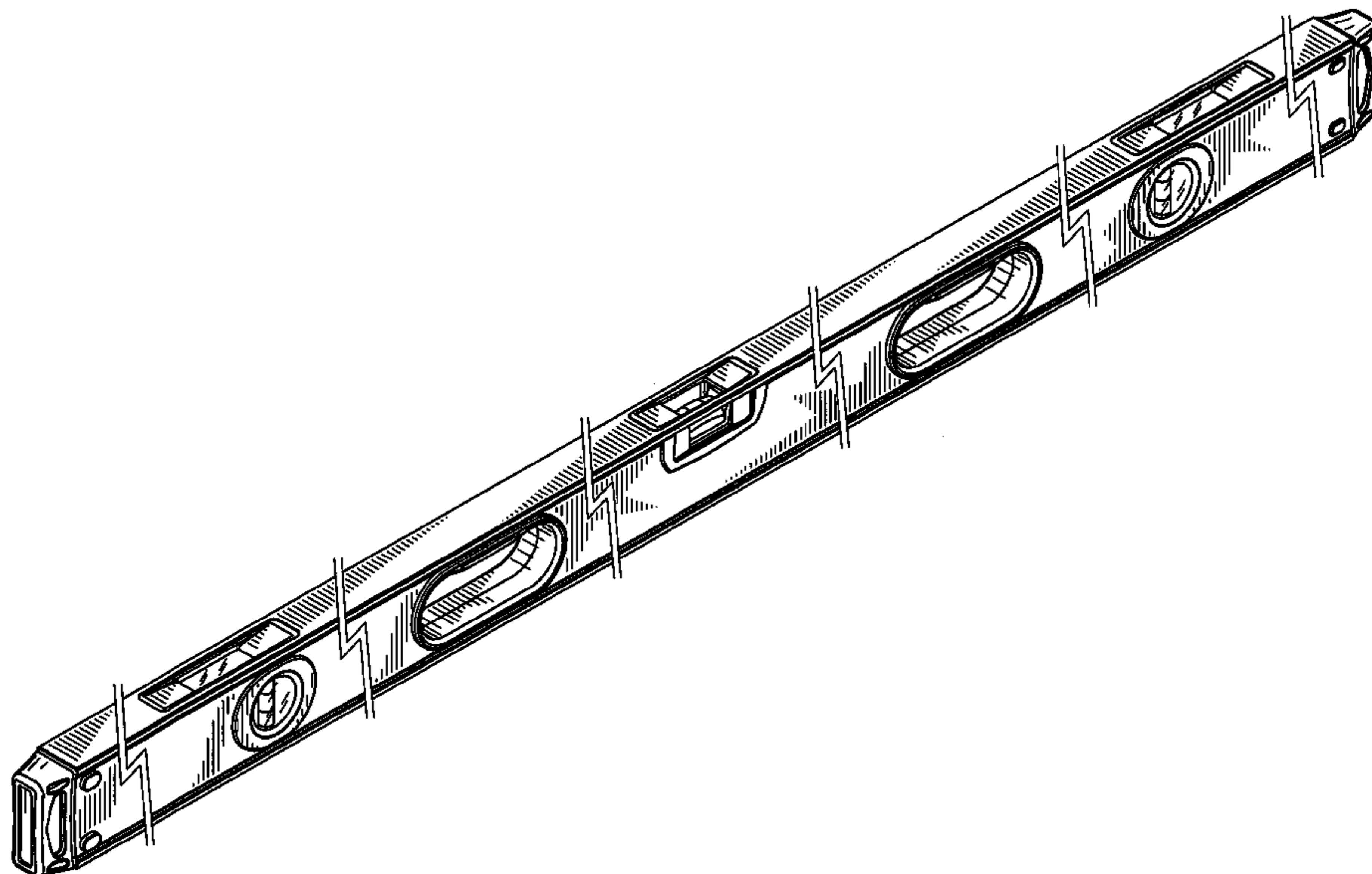
FIG. 11 is a close up front elevation view of the handgrip of FIG. 10;

FIG. 12 is a close up perspective view of a vertical bubble vial housing of the spirit level of FIG. 1; and,

FIG. 13 is a close up front elevation view of the vertical bubble vial housing of FIG. 1.

The broken lines along the main body of the spirit level in FIGS. 1, 2, 4, 5 and 6 indicate that the lengths between the horizontal bubble vial housing and its adjacent handgrips, a vertical bubble vial housing and its adjacent handgrip, and an end cap and its adjacent vertical bubble vial housing can vary from the size as shown in FIG. 1 without the broken lines to larger sizes in which only that part of the main body is elongated; the broken lines form no part of the claimed design.

1 Claim, 6 Drawing Sheets



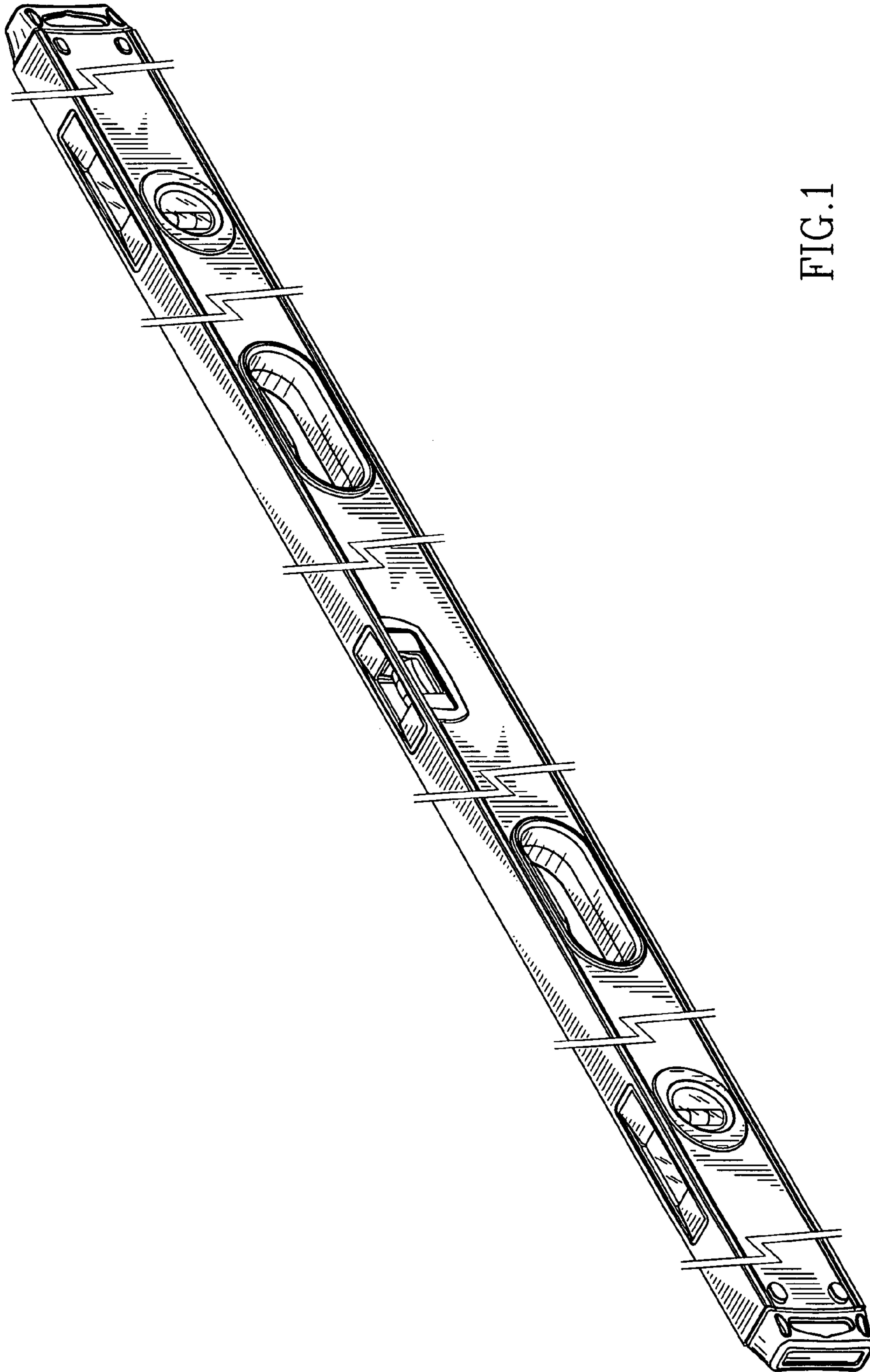


FIG.1

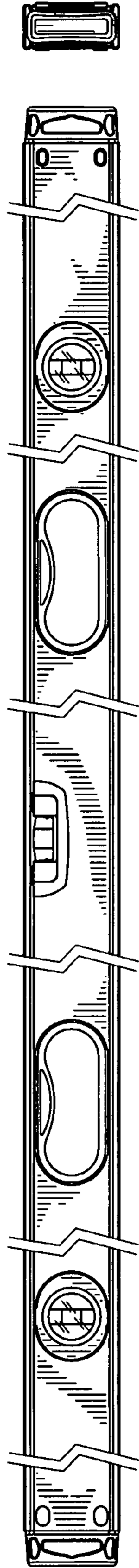


FIG. 2



FIG. 3

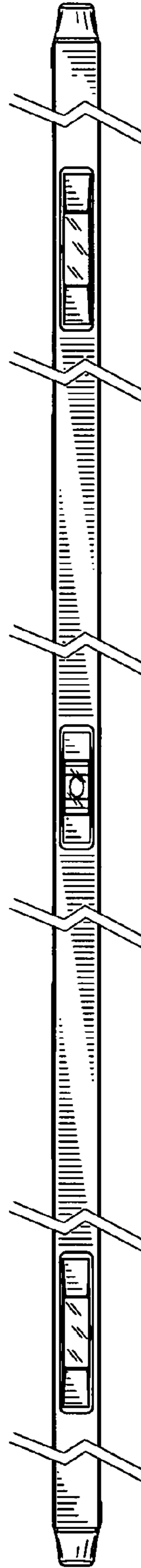


FIG. 4

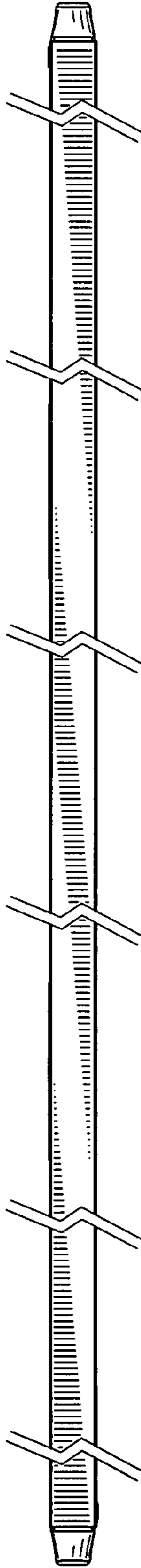


FIG. 5

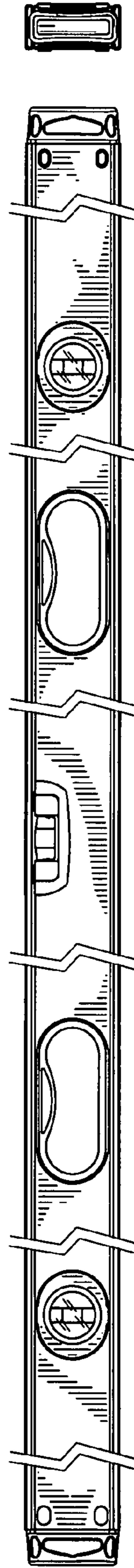


FIG. 6

FIG. 7

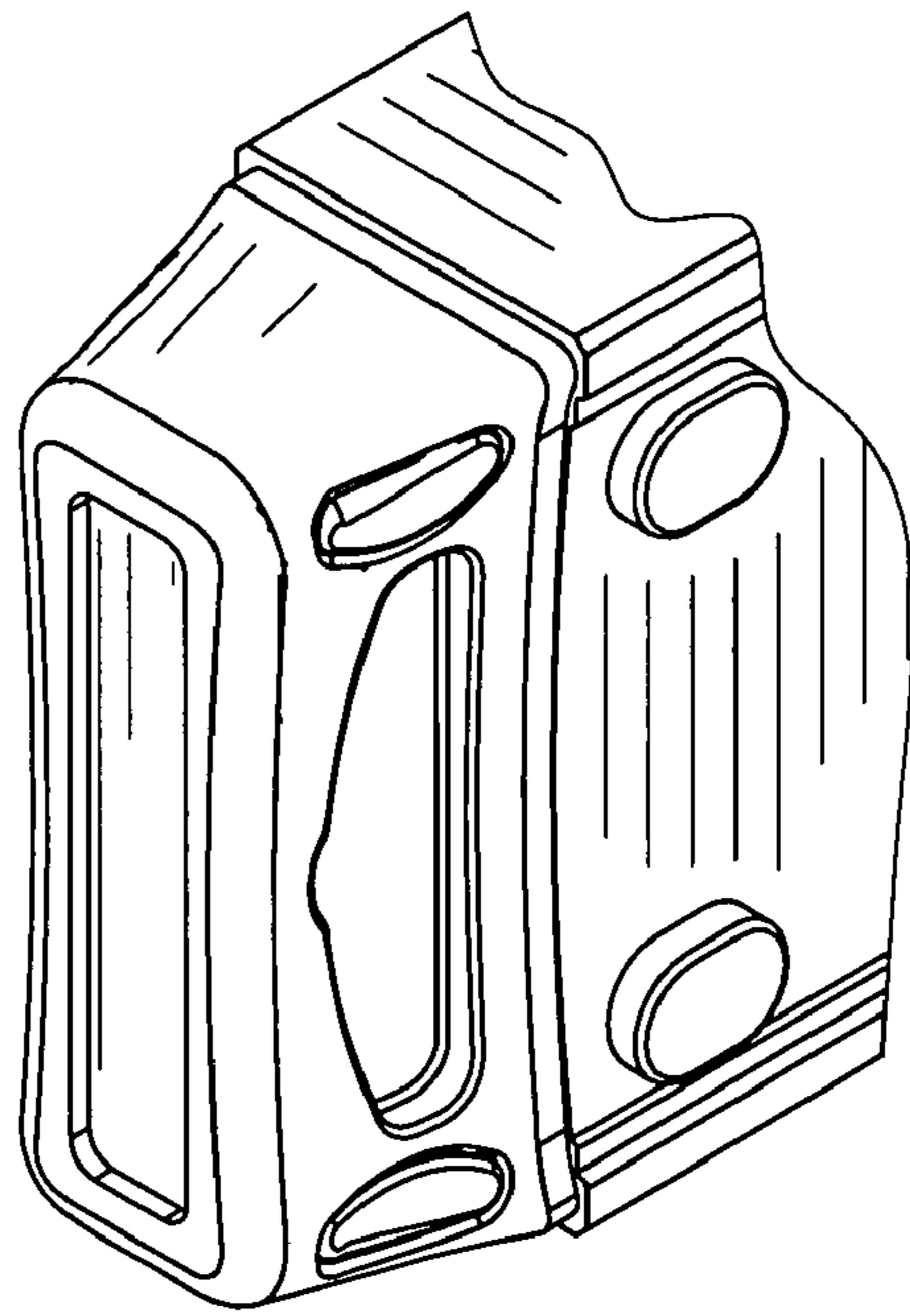


FIG. 8

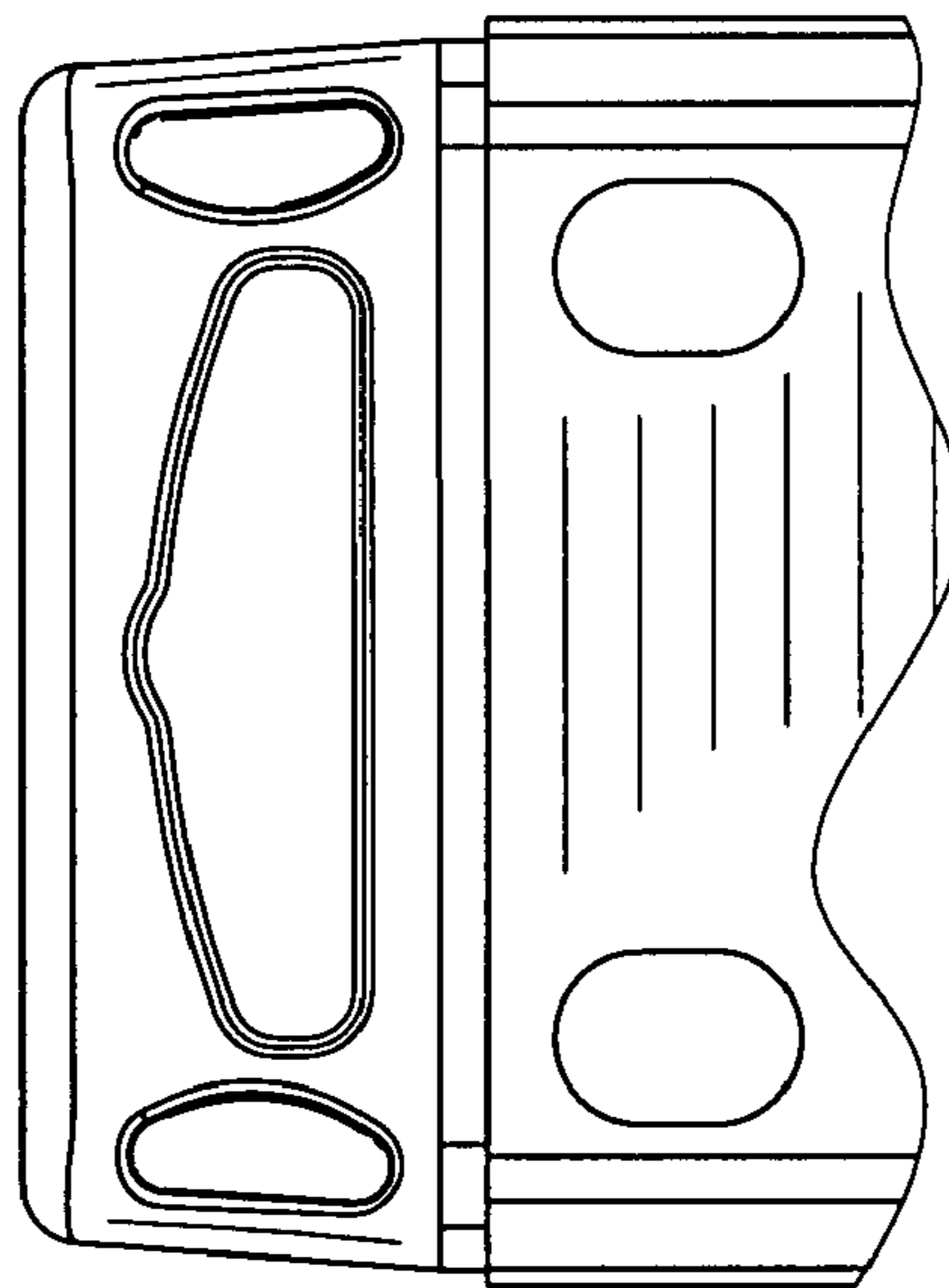


FIG. 9

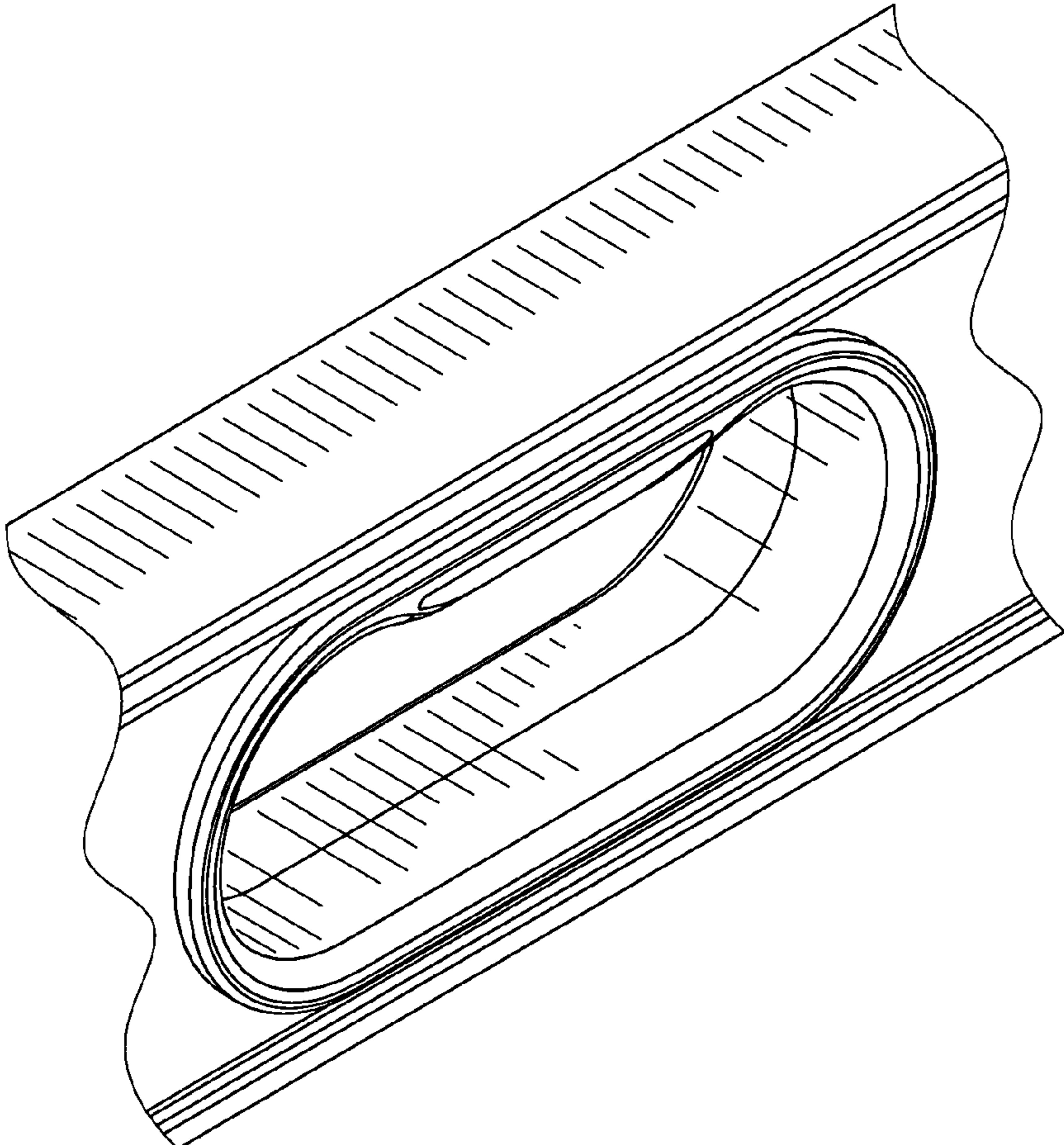


FIG.10

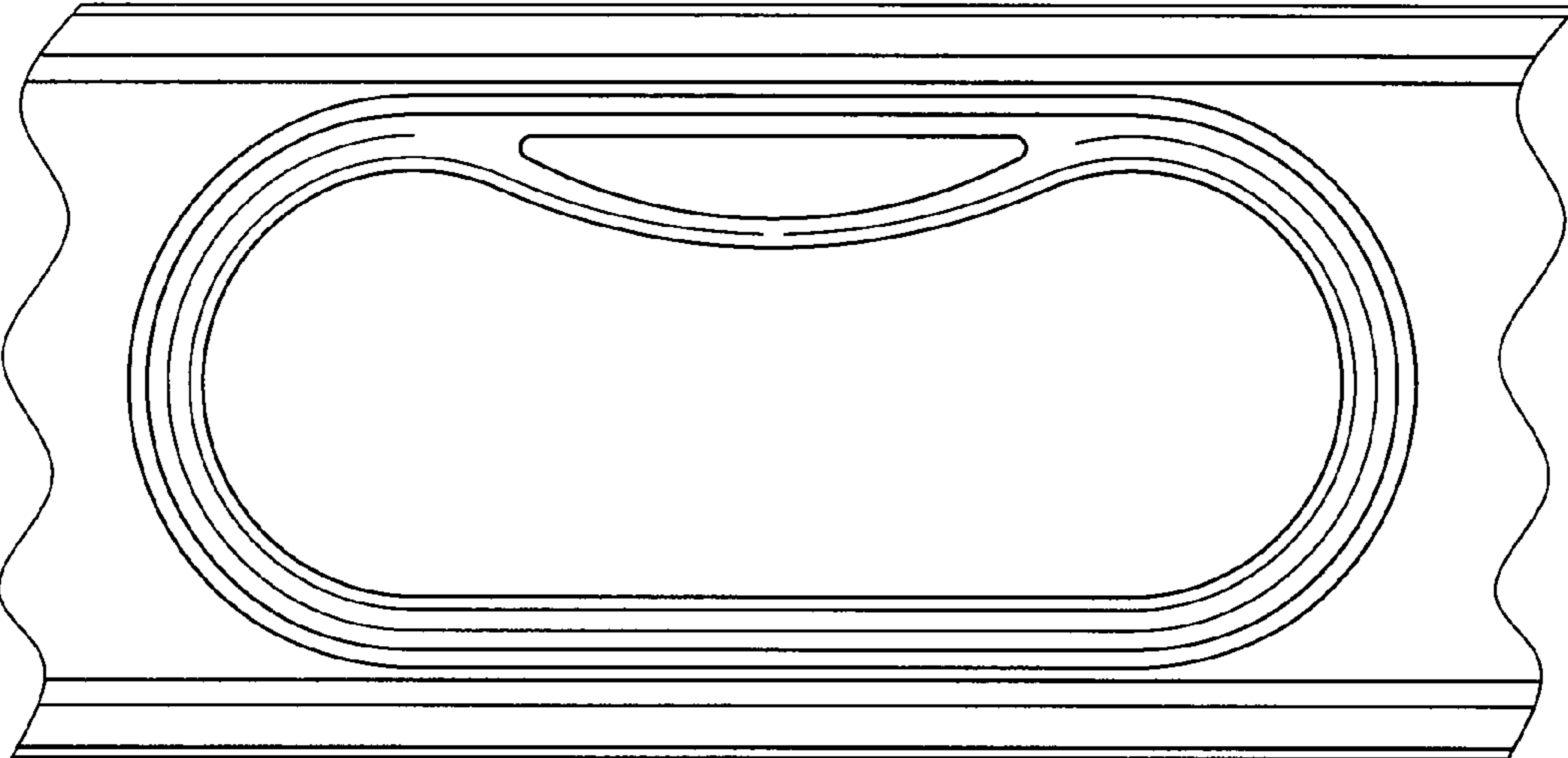


FIG.11

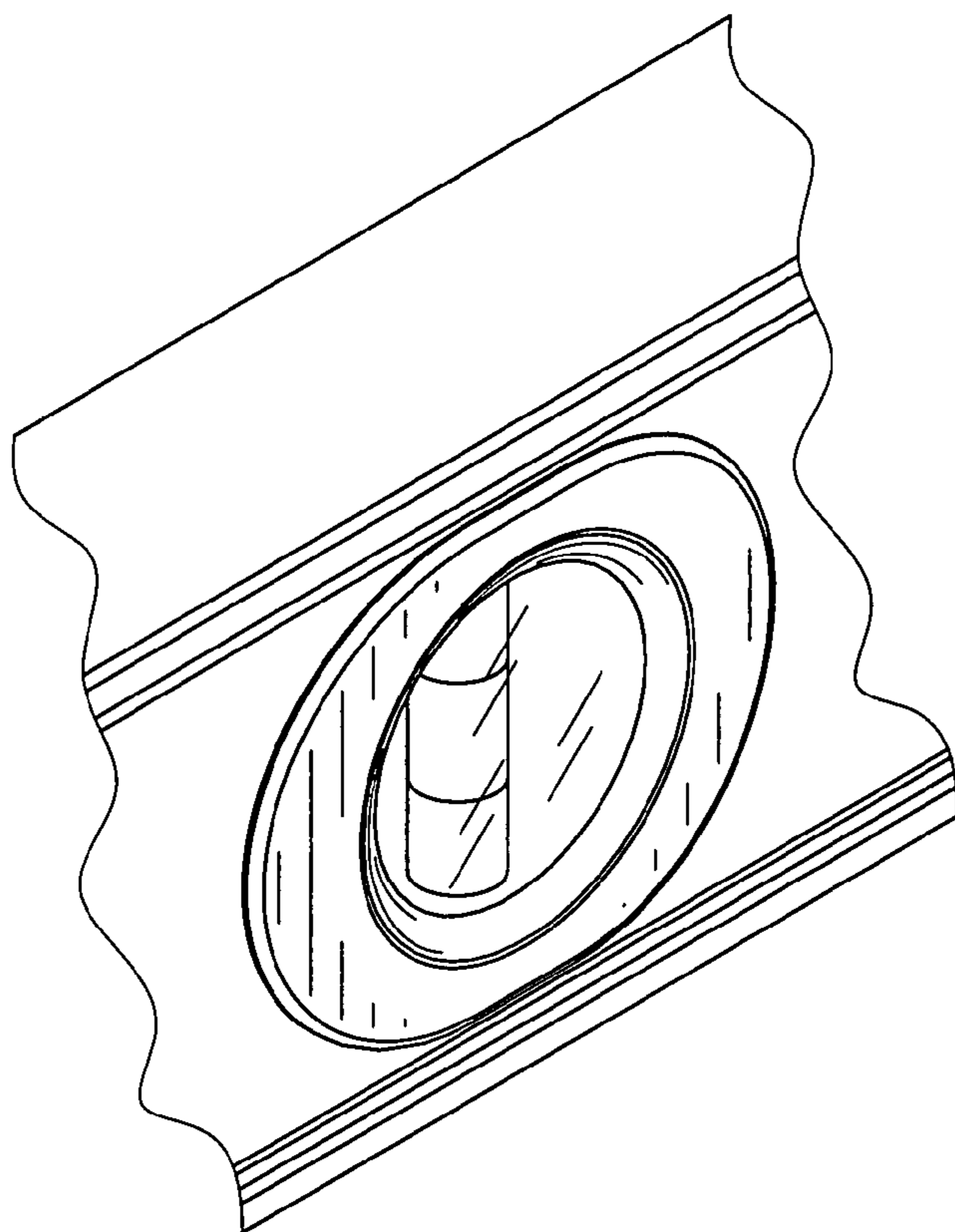


FIG. 12

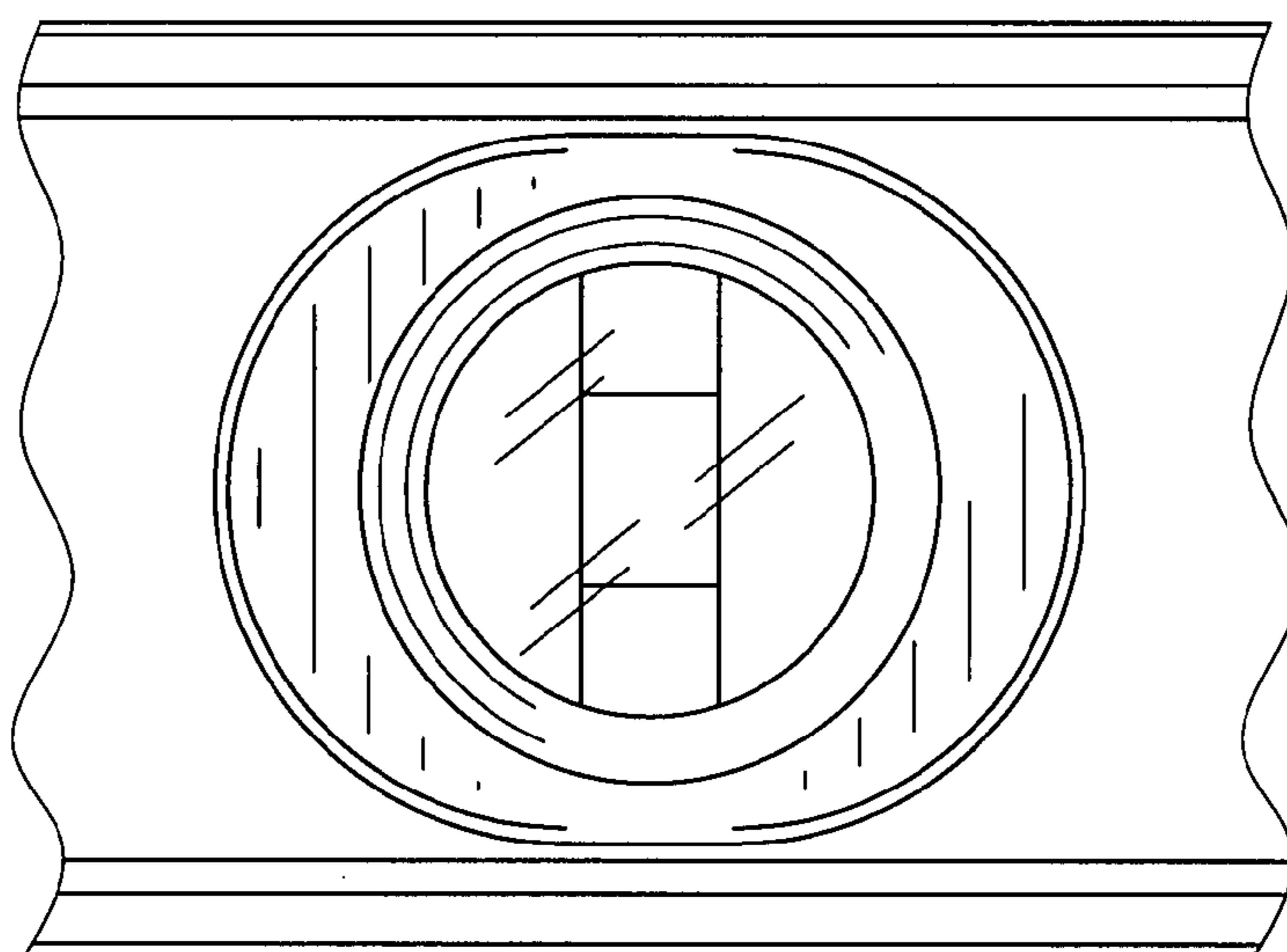


FIG. 13