



US00D573907S

(12) **United States Design Patent**
Steinfels

(10) **Patent No.:** **US D573,907 S**
(45) **Date of Patent:** **** Jul. 29, 2008**

(54) **ROTARY LASER**

2004/0078989 A1 4/2004 Fai et al.

(75) Inventor: **Craig R. Steinfels**, Jackson, TN (US)

FOREIGN PATENT DOCUMENTS

(73) Assignee: **Black & Decker Inc.**, Newark, DE (US)

DE	M9503421	7/1996
DE	M9508110	8/1996
DE	M9805860	2/1999
DE	49902944	8/1999
DE	40406799	9/2005
EM	212626-0001	10/2004
EM	212626-0002	10/2004
EM	423439-0001	12/2005
EM	445333-0001	2/2006
IR	062125	1/2003

(**) Term: **14 Years**

(21) Appl. No.: **29/288,420**

(22) Filed: **Jun. 11, 2007**

(51) **LOC (8) Cl.** **10-41**

(52) **U.S. Cl.** **D10/69**

(58) **Field of Classification Search** D10/69;
356/5.15, 4.01, 5.01, 4.05, 5.05-5.09, 5.12,
356/28.5, 139.3, 141.3, 345, 375, 3.01, 128-155,
356/399-400; 385/83, 978-99, 134-139;
701/211-213, 150, 158; 264/1.24-1.25;
33/276, 277, 281, 285, 286, 290, 291-299,
33/DIG. 21; 340/573.1-573.4, 539, 825.36,
340/825.46, 825.49, 357.02

* cited by examiner

Primary Examiner—Antoine D Davis

(74) *Attorney, Agent, or Firm*—Mehur R. Jani; Adan Ayala

See application file for complete search history.

(57) **CLAIM**

The ornamental design for a rotary laser, as shown and described.

(56) **References Cited**

U.S. PATENT DOCUMENTS

D420,972 S	2/2000	Brecher et al.
6,023,326 A	2/2000	Katayama et al.
D429,481 S	8/2000	Ishii
D461,135 S	8/2002	Watson et al.
D464,578 S	10/2002	Zurwelle
D469,738 S	2/2003	Ishii
D474,985 S	5/2003	Cooper et al.
D475,938 S	6/2003	Lopano
D494,483 S	8/2004	Marshall et al.
D504,832 S	5/2005	Sergyeyenko et al.
7,168,174 B2 *	1/2007	Piekutowski 33/286

DESCRIPTION

FIG. 1 is a top view of a rotary laser.

FIG. 2 is a left side view thereof.

FIG. 3 is a right side view thereof.

FIG. 4 is a bottom view thereof.

FIG. 5 is a front view thereof.

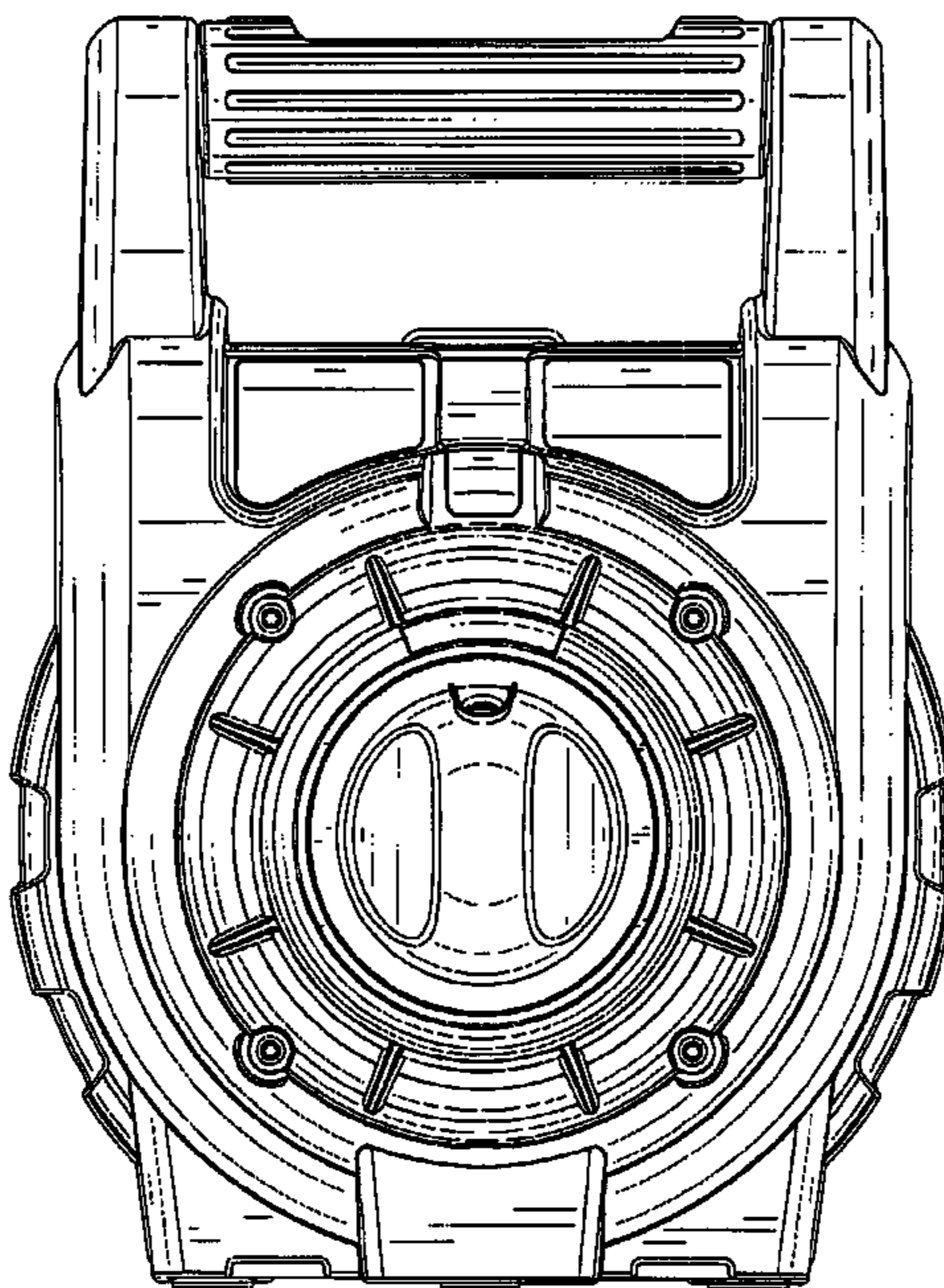
FIG. 6 is rear view thereof.

FIG. 7 is a top perspective view thereof; and,

FIG. 8 is a bottom perspective view thereof.

Any broken lines in the drawings are for illustrative purposes only and form no part of the claimed design.

1 Claim, 8 Drawing Sheets



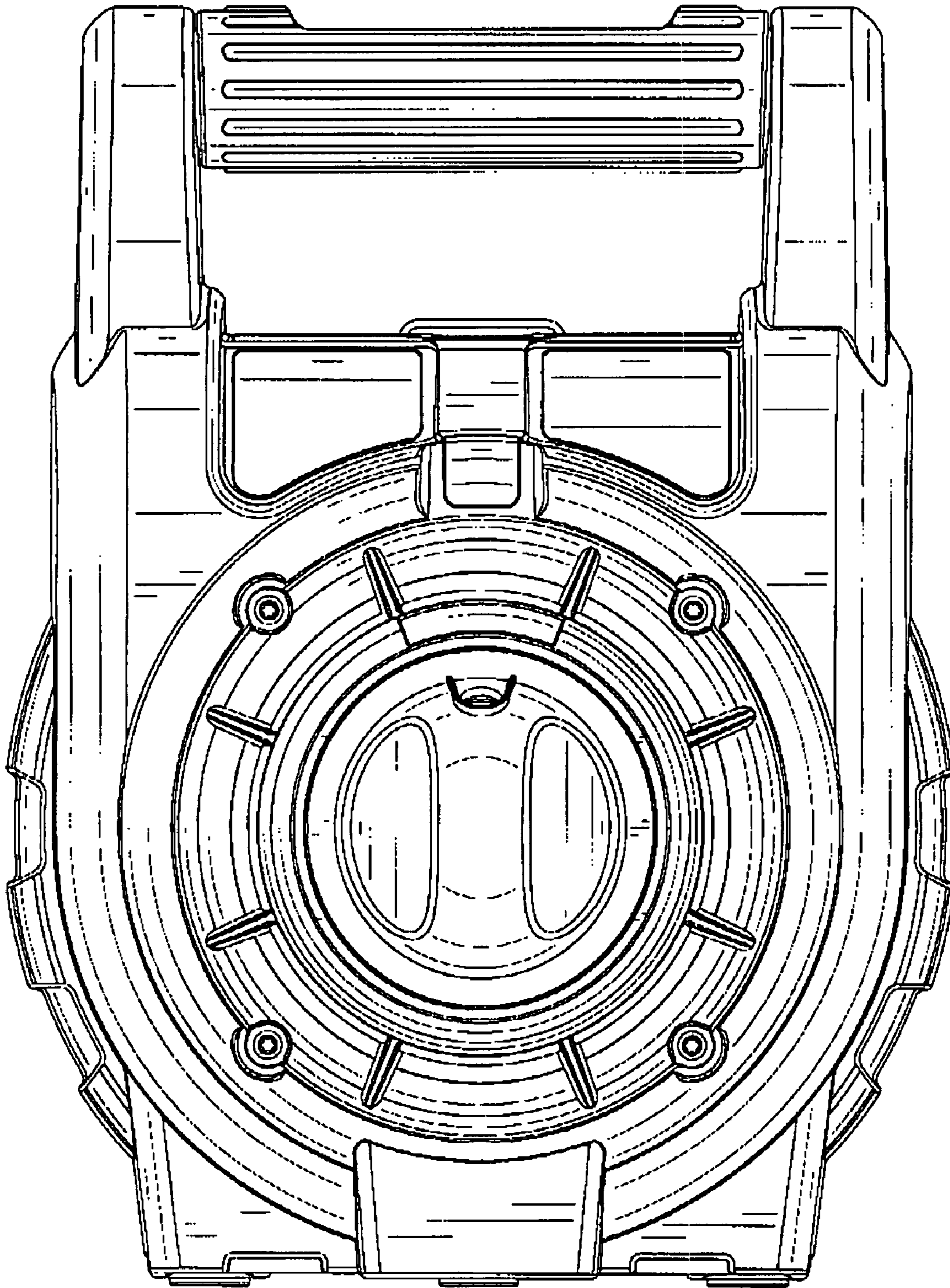


FIG. 1

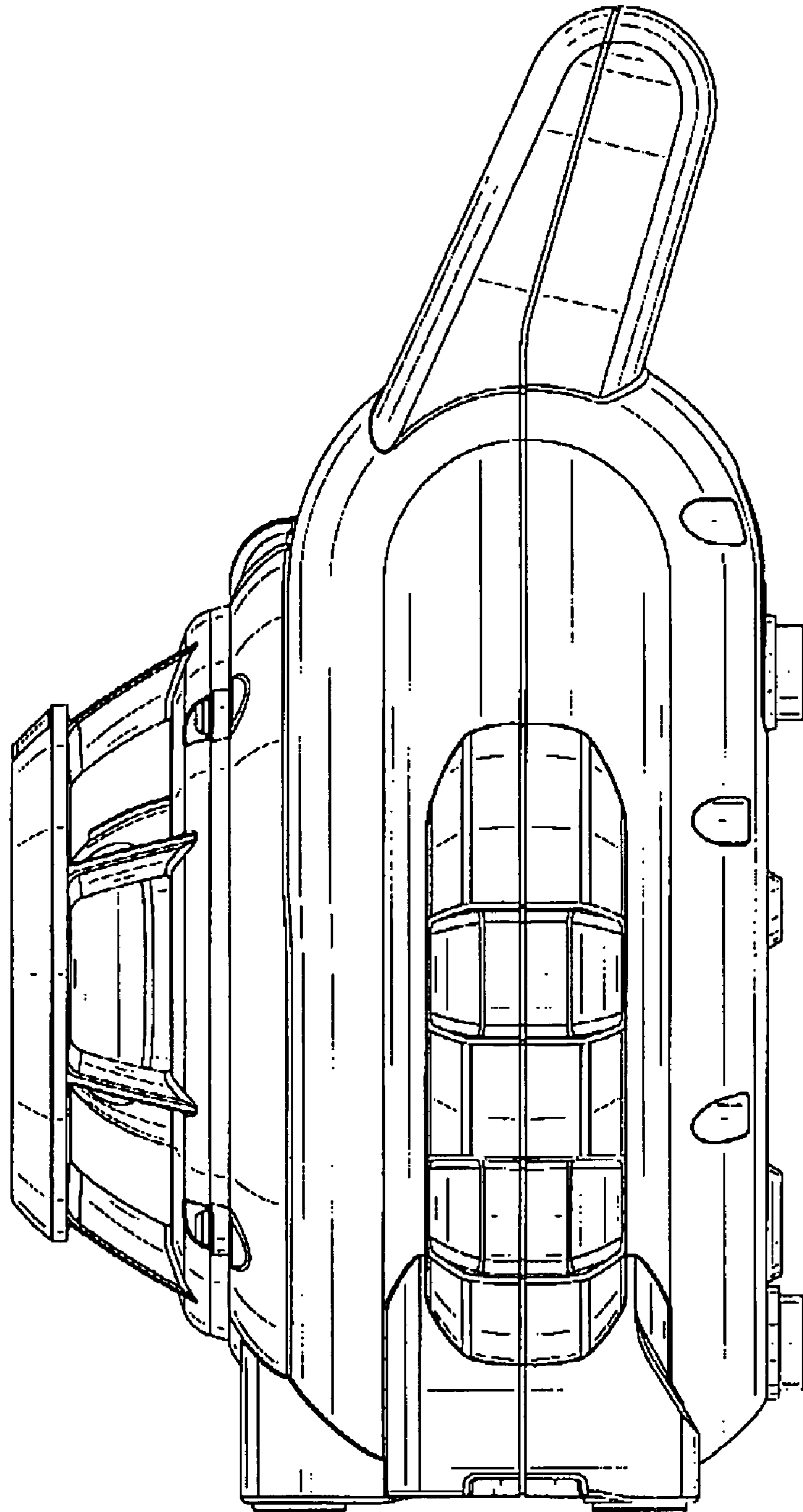


FIG. 2

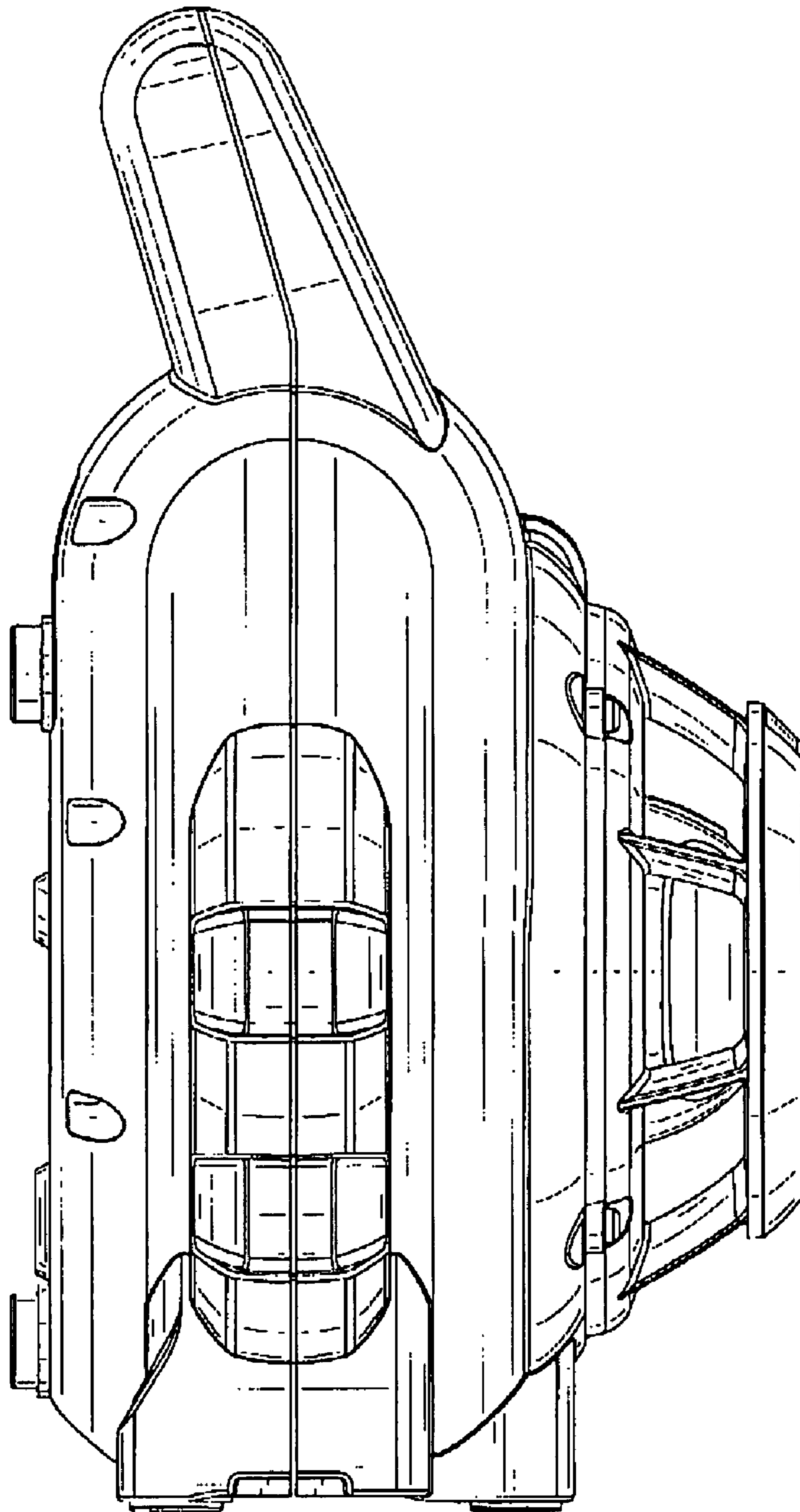


FIG. 3

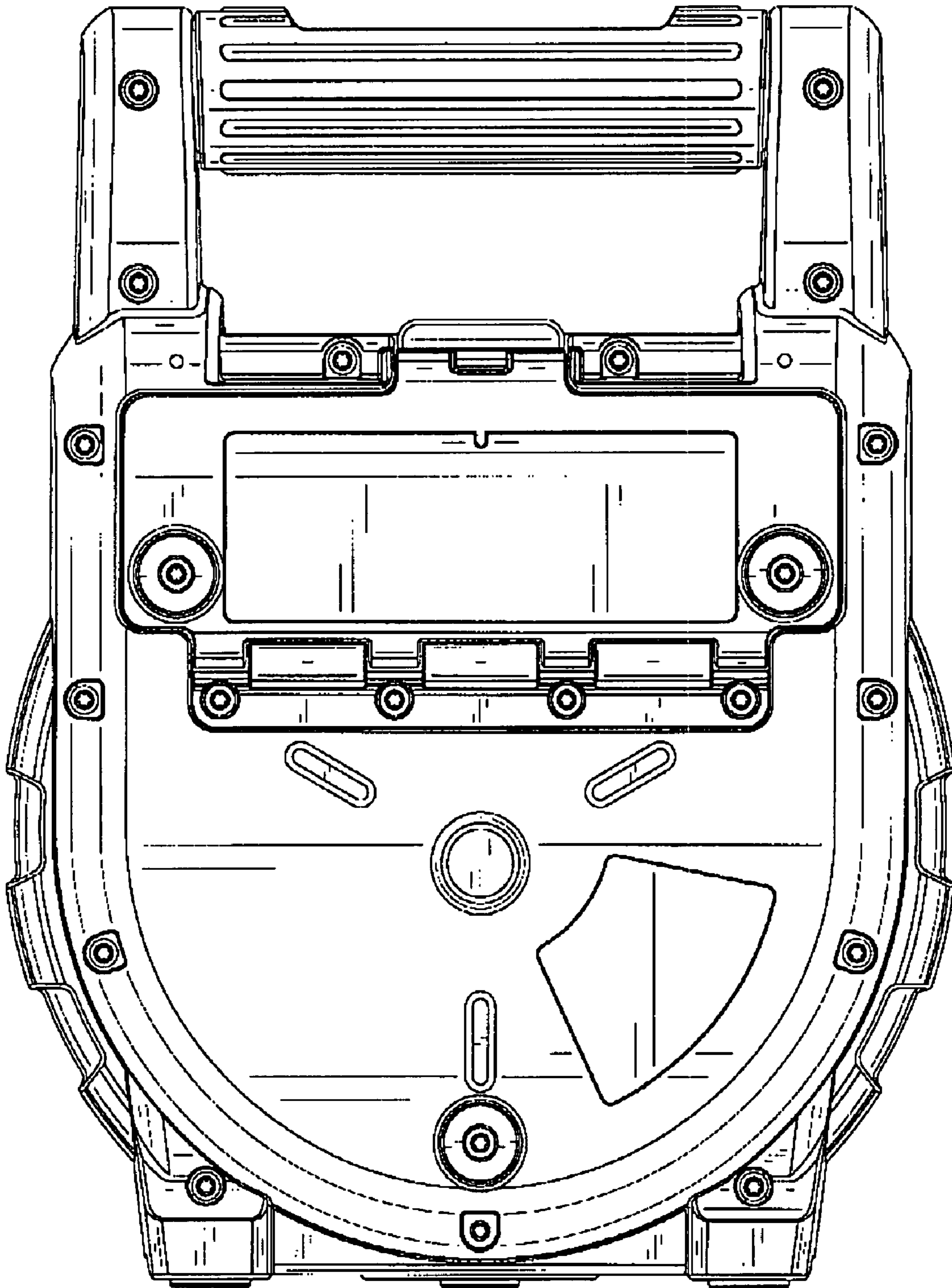


FIG. 4

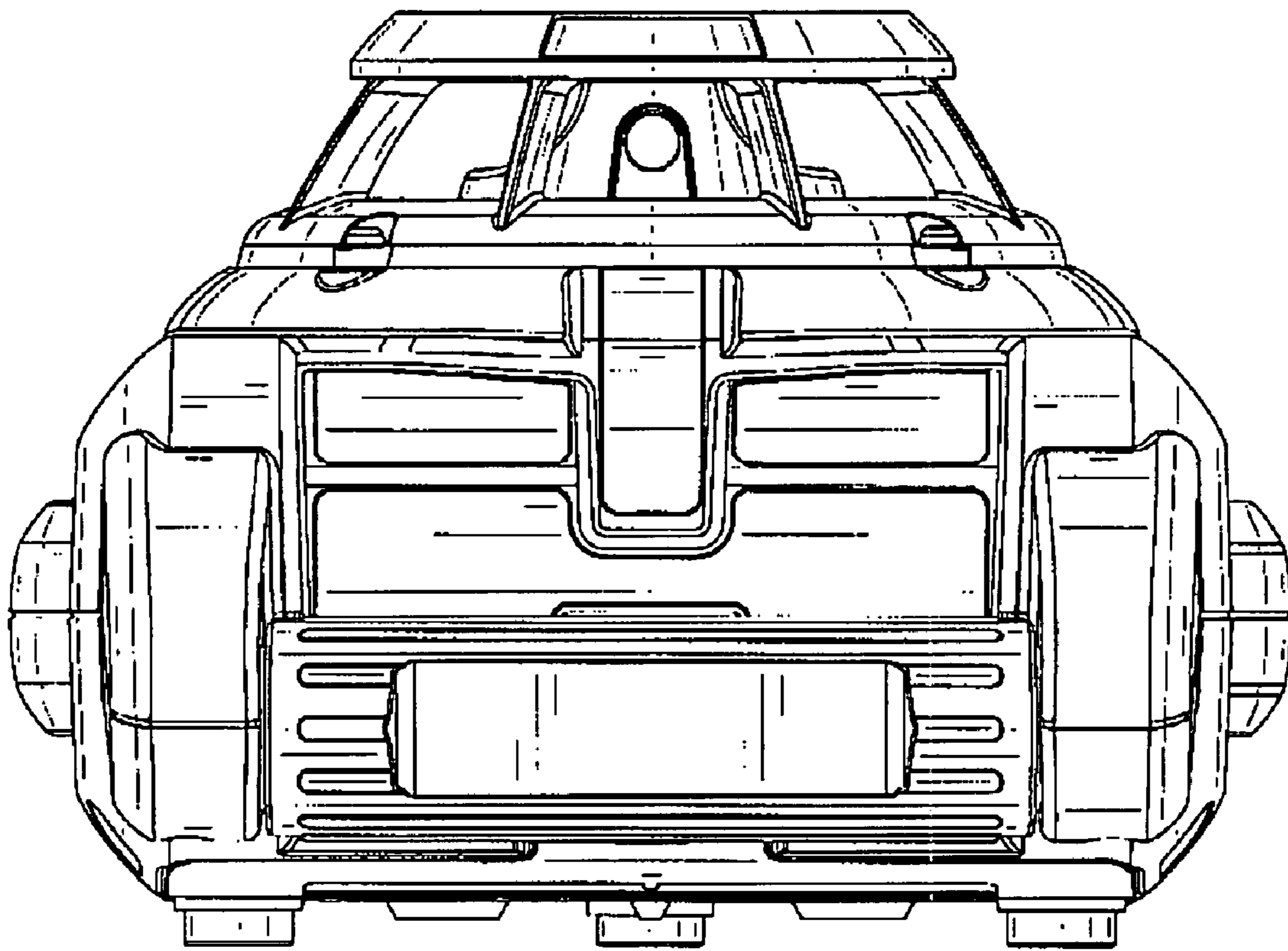


FIG. 5

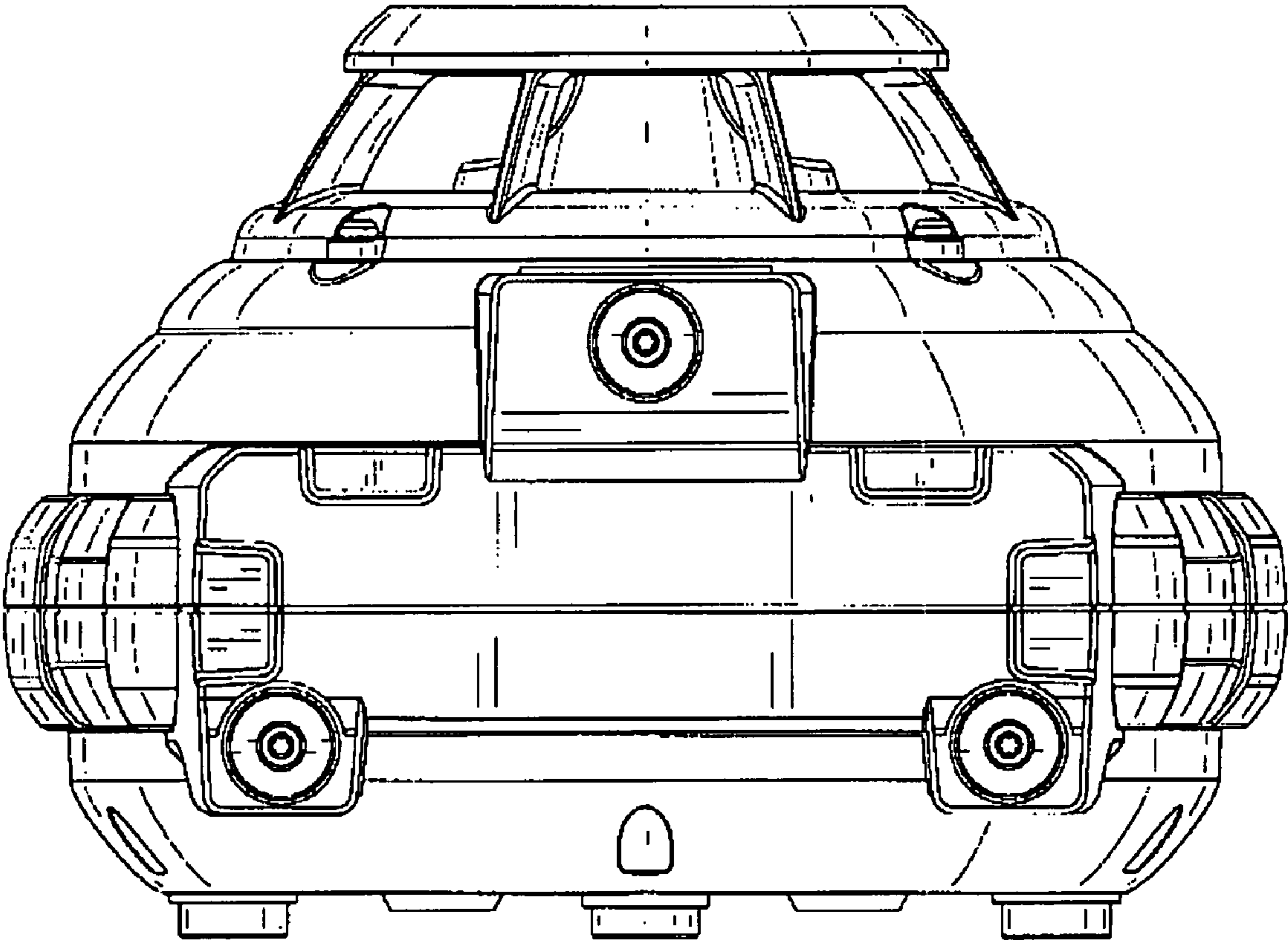


FIG. 6

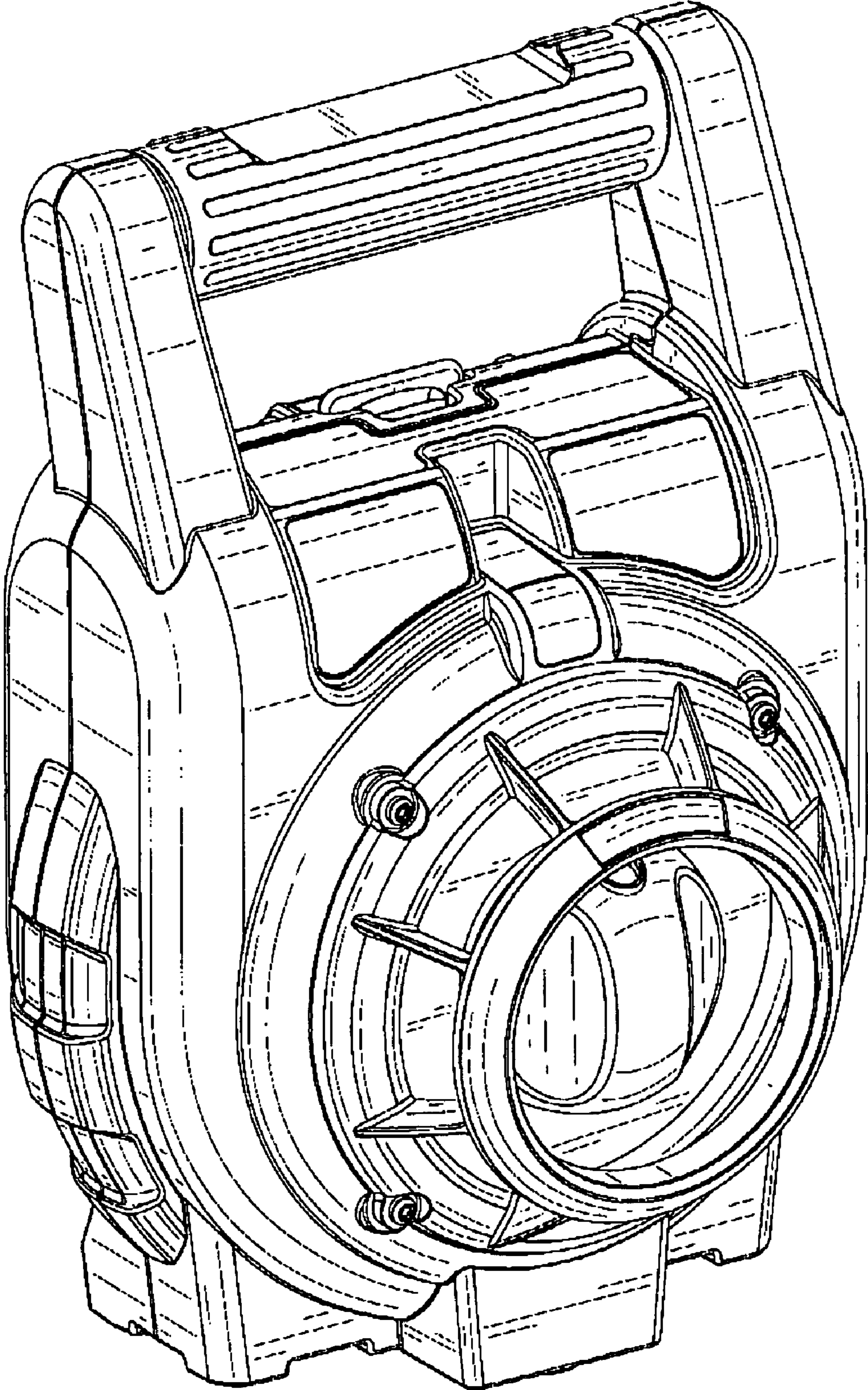


FIG. 7

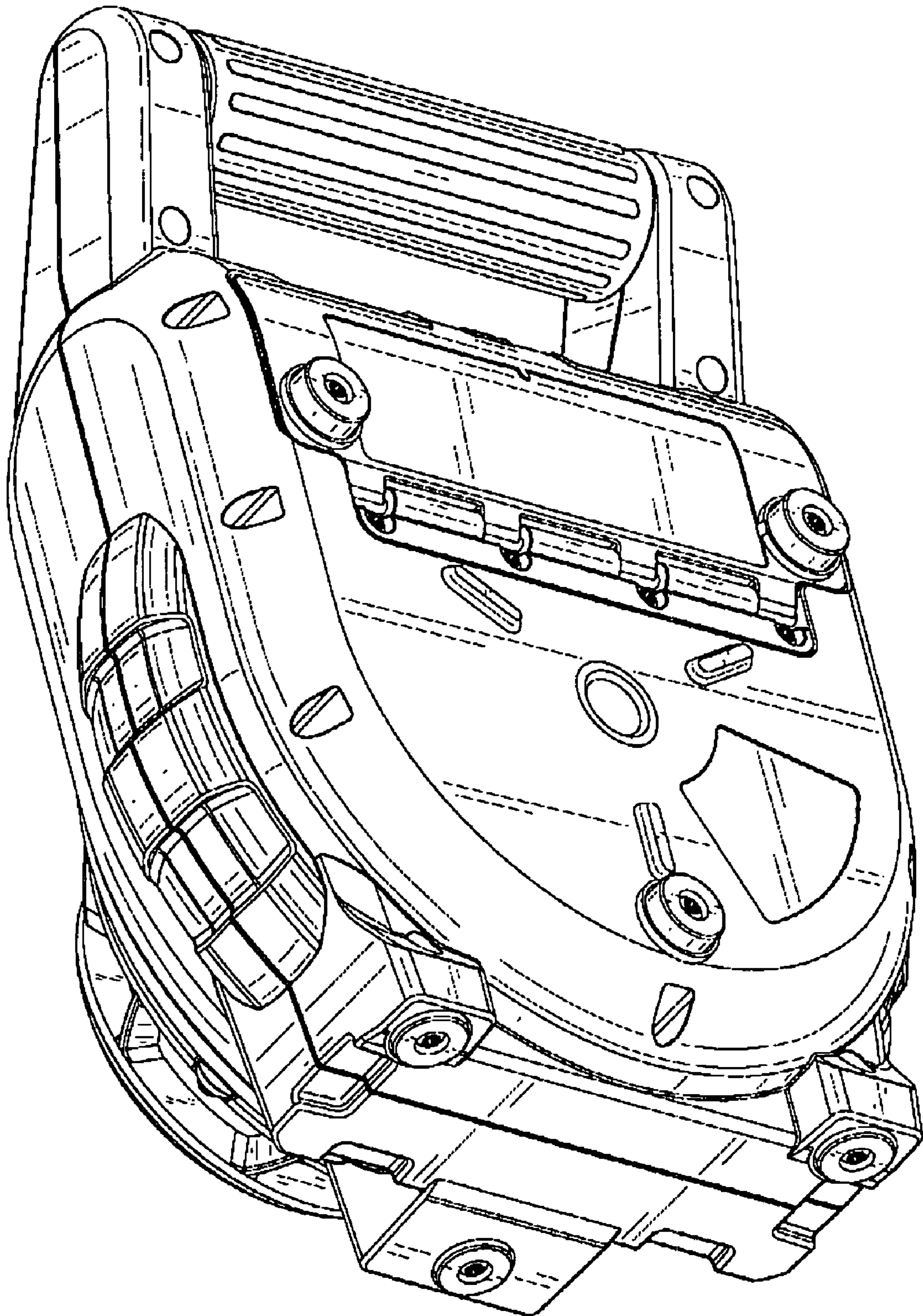


FIG. 8