



US00D573906S

(12) **United States Design Patent**
Maki et al.

(10) **Patent No.:** **US D573,906 S**
(45) **Date of Patent:** **** Jul. 29, 2008**

(54) **MEASUREMENT INSTRUMENT FOR COMMUNICATION**

(75) Inventors: **Tatsuyuki Maki**, Kanagawa (JP); **Koichi Hanazaki**, Kanagawa (JP); **Kazuhiko Zaima**, Kanagawa (JP); **Shigenori Asakura**, Tokyo (JP); **Kei Suzuki**, Tokyo (JP)

(73) Assignee: **Anritsu Corporation**, Kanagawa (JP)

(**) Term: **14 Years**

(21) Appl. No.: **29/287,775**

(22) Filed: **Sep. 18, 2007**

(30) **Foreign Application Priority Data**

Mar. 20, 2007 (JP) 2007-007190

(51) **LOC (8) Cl.** **10-04**

(52) **U.S. Cl.** **D10/65; D10/70**

(58) **Field of Classification Search** D10/65, D10/70; 340/573.1, 10.52, 10.6, 332, 825.69, 340/825.72, 573.4, 539.32, 525, 825.36, 340/825.49, 539.1, 539.11, 539.13, 539.15, 340/572.8, 572.9, 573.7, 573.9, 988 T; 342/357.01, 342/357.06, 419; 182/18; 607/27, 32, 301; 398/9, 21, 118, 130, 131, 156, 140, 212, 398/201, 88, 141

See application file for complete search history.

(56) **References Cited**

U.S. PATENT DOCUMENTS

D526,222 S * 8/2006 Uehara D10/65

D531,920 S * 11/2006 Mudd et al. D10/65
D540,204 S * 4/2007 Aguilar D10/65
D542,678 S * 5/2007 Miller D10/65
D545,699 S * 7/2007 Mudd et al. D10/65
D559,134 S * 1/2008 Henderson D10/65

* cited by examiner

Primary Examiner—Antoine D Davis

(74) *Attorney, Agent, or Firm*—Jean C. Edwards, Esq.; Akerman Senterfitt

(57) **CLAIM**

The ornamental design for a measurement instrument for communication, as shown and described.

DESCRIPTION

FIG. 1 is a perspective view of the front, right and top of a measurement instrument for communication showing our new design;

FIG. 2 is a front view thereof;

FIG. 3 is a rear view thereof;

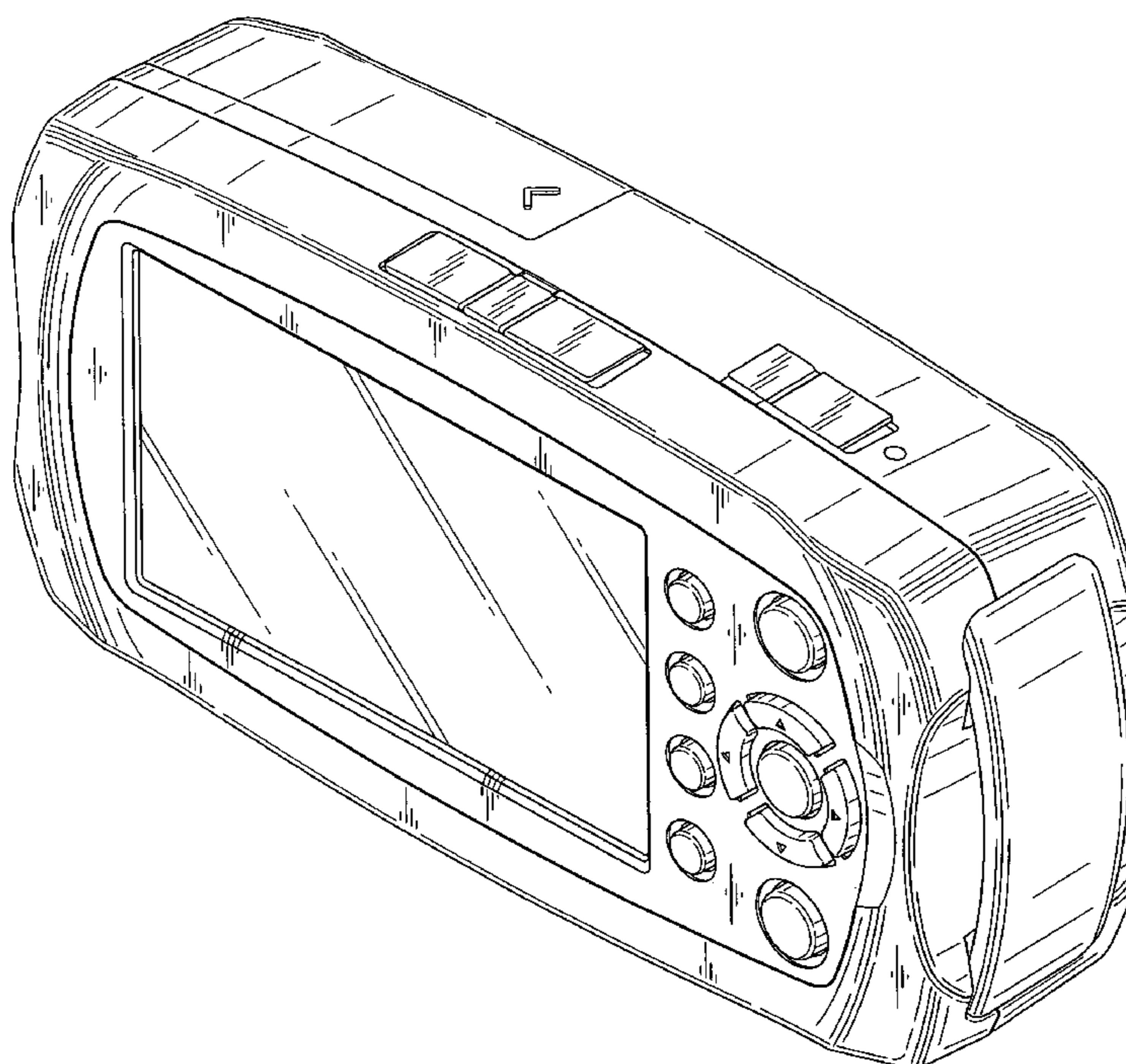
FIG. 4 is a left side view thereof;

FIG. 5 is a right side view thereof;

FIG. 6 is a top plan view thereof; and,

FIG. 7 is a bottom view thereof.

1 Claim, 5 Drawing Sheets



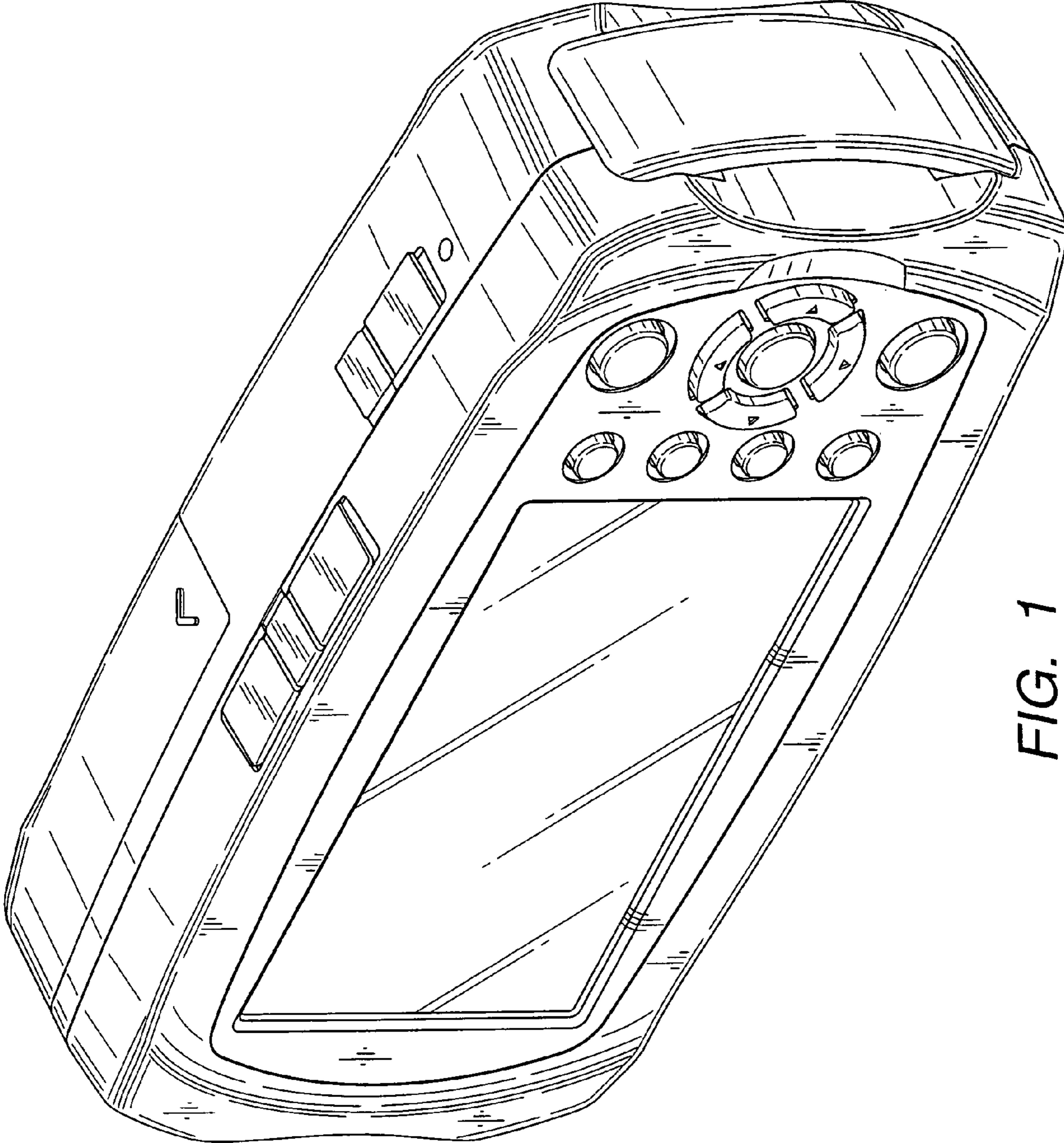


FIG. 1

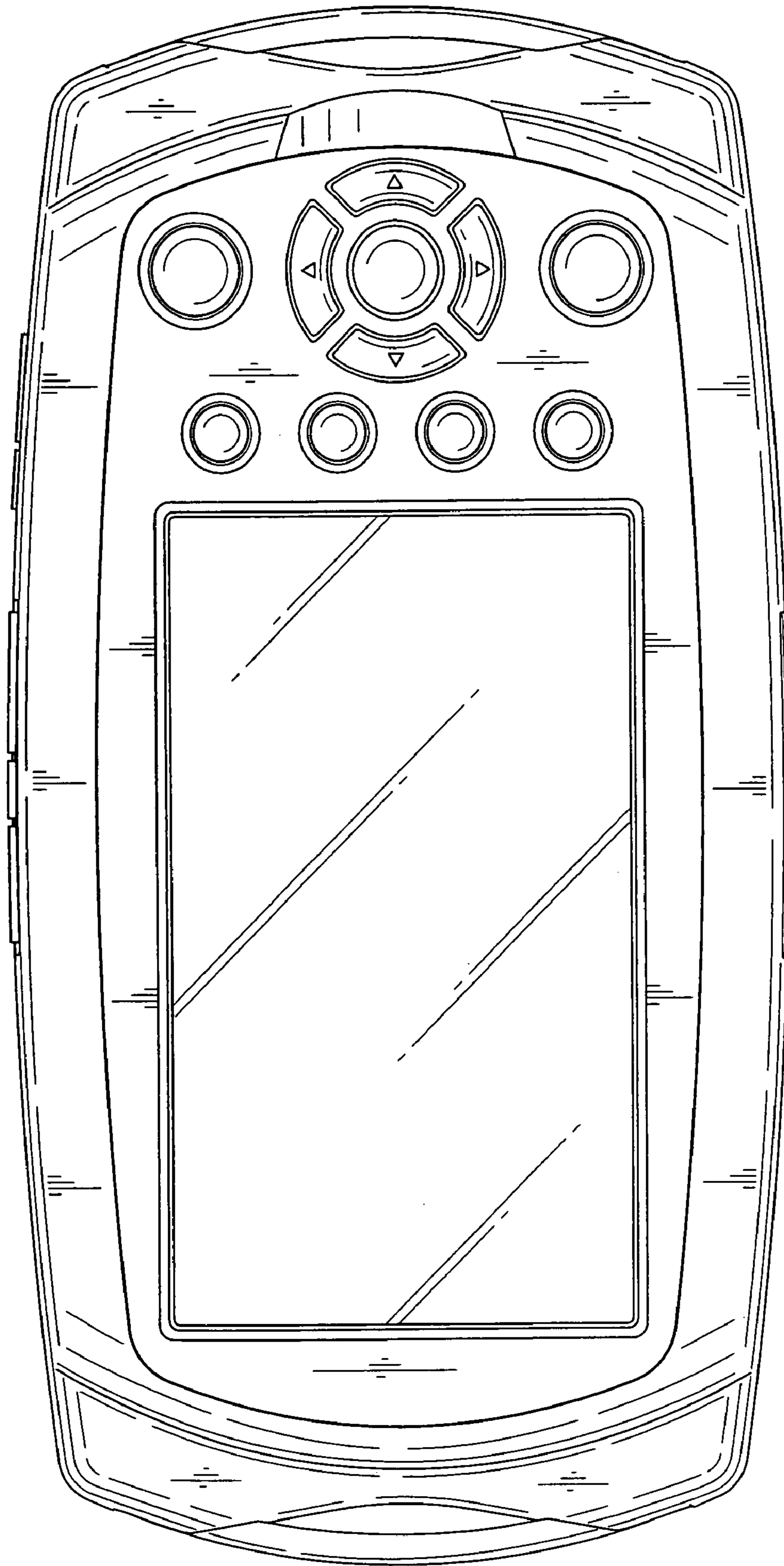


FIG. 2

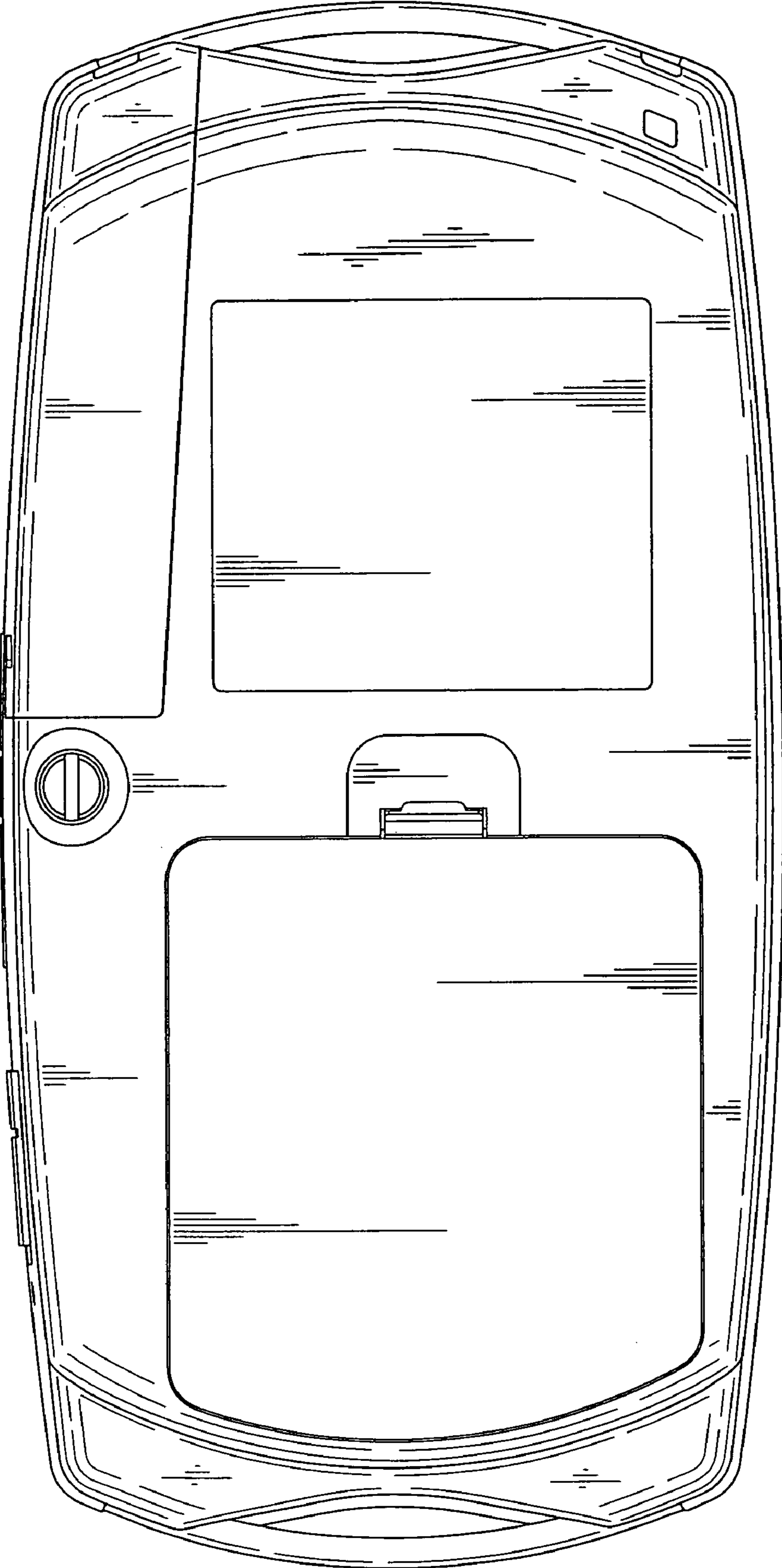


FIG. 3

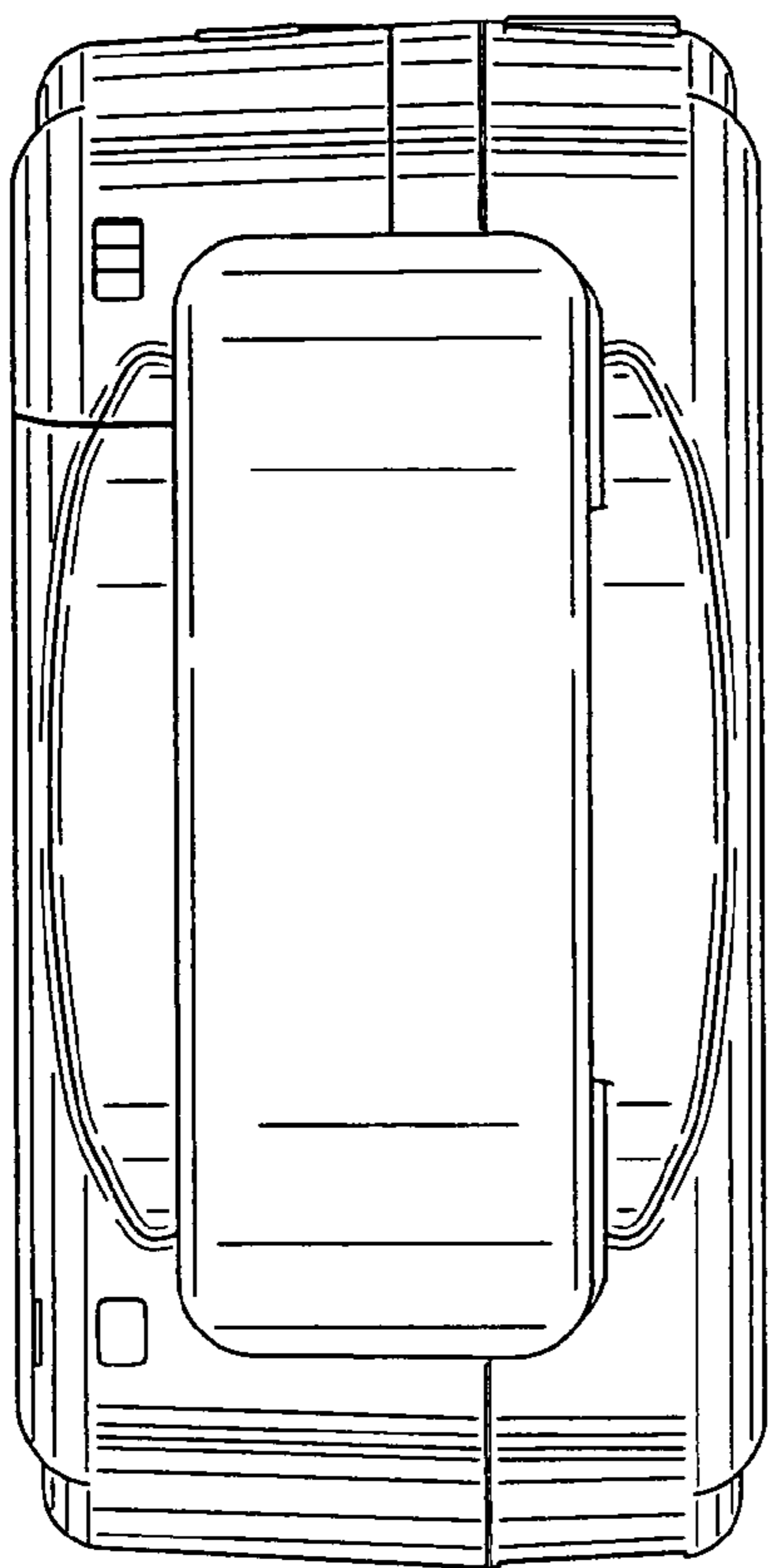


FIG. 4

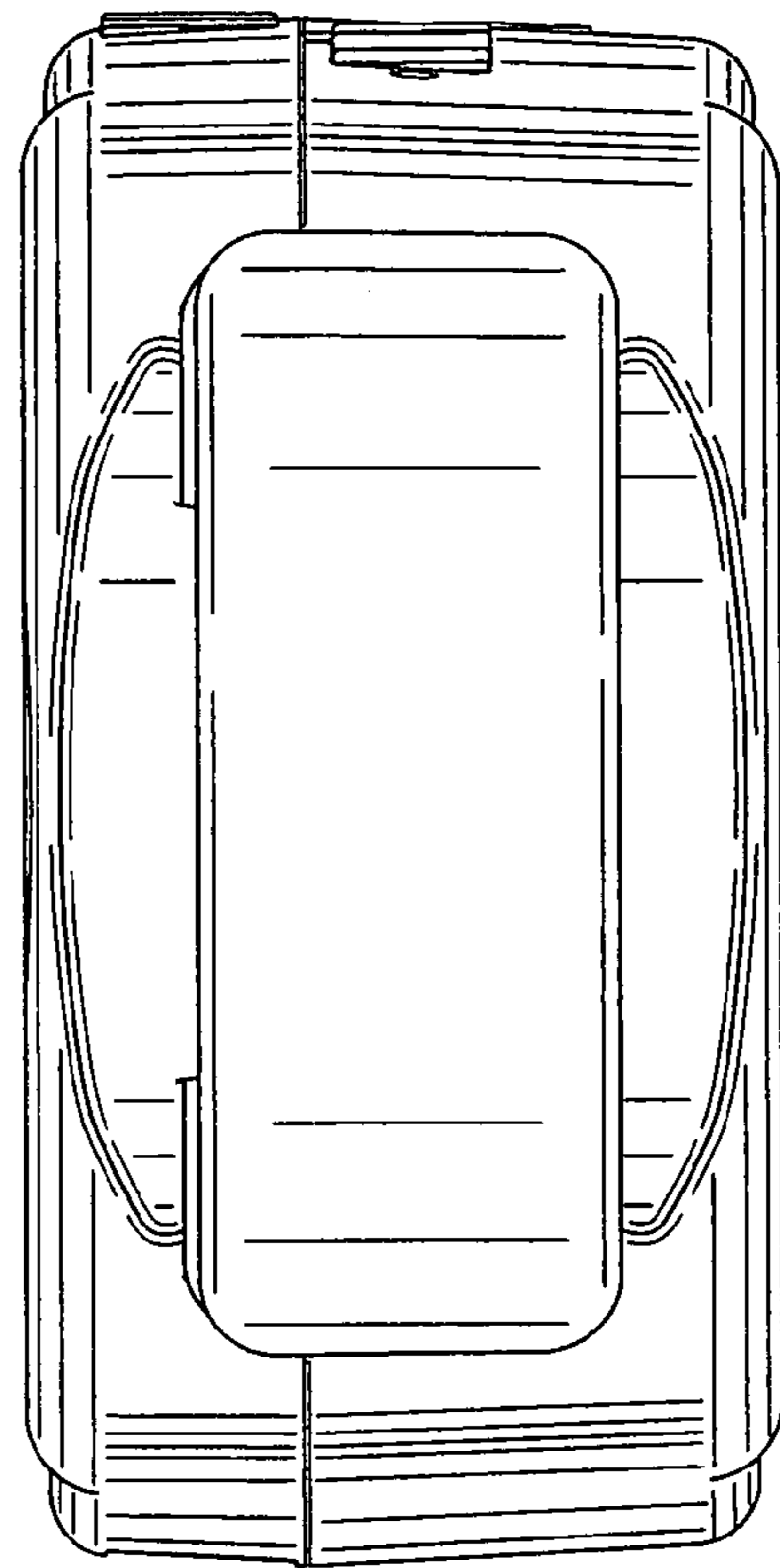


FIG. 5

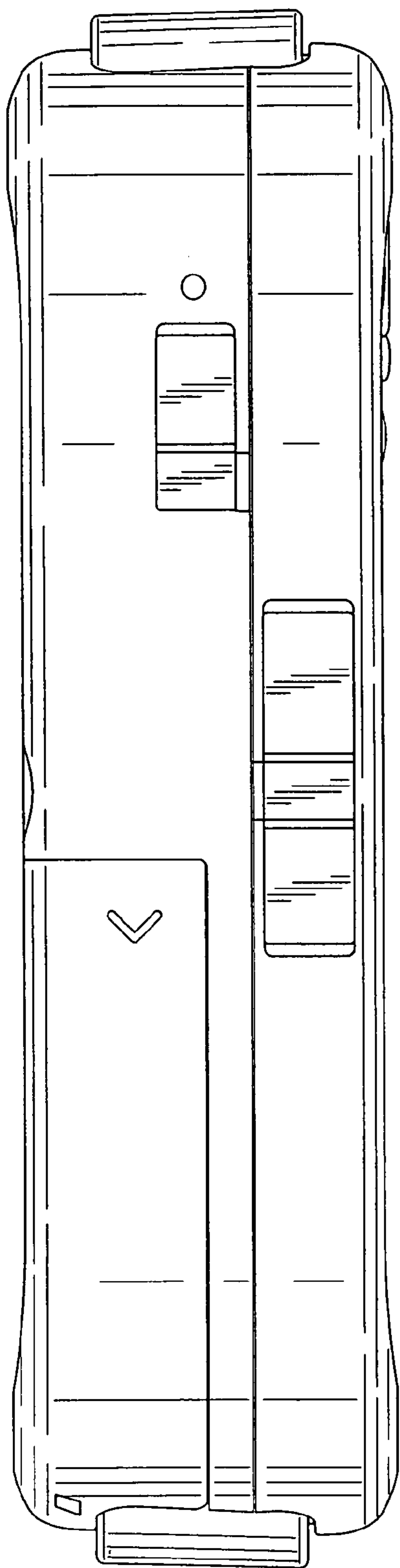


FIG. 6

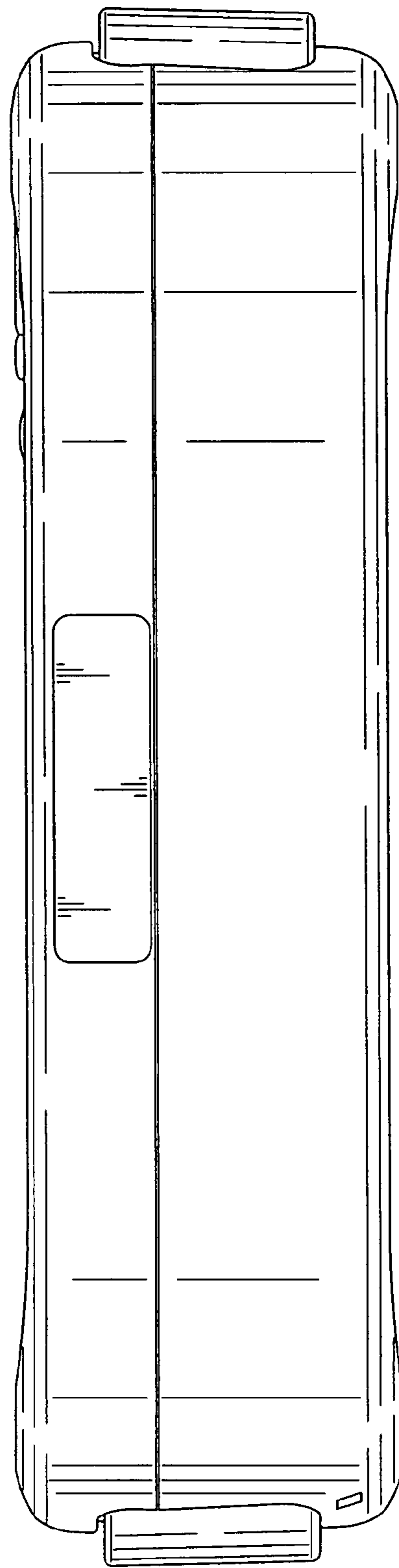


FIG. 7