



US00D573903S

(12) **United States Design Patent**  
**Gatz et al.**

(10) **Patent No.:** **US D573,903 S**  
(45) **Date of Patent:** **\*\* Jul. 29, 2008**

(54) **DISPLAY HOUSING FOR A REMOTE VISUAL INSPECTION DEVICE**

*Primary Examiner*—Antoine D Davis

(75) Inventors: **Jay P. Gatz**, Avon Lake, OH (US); **Scott Aiello**, Avon Lake, OH (US); **Timothy Montbach**, Richfield, OH (US); **Clifford Duff**, Sheffield Village, OH (US); **Larry Babb**, Grafton, OH (US)

(57) **CLAIM**

The ornamental design for a display housing for a remote visual inspection device, as shown and described.

(73) Assignee: **Emerson Electric Co.**, St. Louis, MO (US)

**DESCRIPTION**

(\*\*) Term: **14 Years**

FIG. 1 is a perspective view of a display housing for a remote visual inspection device. The items shown in phantom lines are for illustrative purposes only and form no part of the subject invention;

(21) Appl. No.: **29/302,674**

FIG. 2 is a plan view of the display housing for a remote visual inspection device of FIG. 1. The items shown in phantom lines are for illustrative purposes only and form no part of the subject invention;

(22) Filed: **Jan. 22, 2008**

**Related U.S. Application Data**

(62) Division of application No. 29/272,079, filed on Jan. 31, 2007.

FIG. 3 is a left side view of the display housing for a remote visual inspection device of FIG. 1, the opposite side being a substantial mirror image of the side shown in FIG. 3. The items shown in phantom lines are for illustrative purposes only and form no part of the subject invention;

(51) **LOC (8) Cl.** ..... **10-04**

(52) **U.S. Cl.** ..... **D10/46**

(58) **Field of Classification Search** ..... D10/46;  
73/865.8, 623; 324/326, 67, 329; 348/84  
See application file for complete search history.

FIG. 4 is a front view of the display housing for a remote visual inspection device of FIG. 1. The items shown in phantom lines are for illustrative purposes only and form no part of the subject invention;

(56) **References Cited**

**U.S. PATENT DOCUMENTS**

6,338,283	B1 *	1/2002	Blazquez Navarro et al. ....	73/865.8
7,246,036	B2 *	7/2007	Cheskaty et al. ....	73/865.8
D559,386	S	1/2008	Pease et al.	
D560,804	S	1/2008	Pease et al.	

FIG. 5 is a back view of the display housing for a remote visual inspection device of FIG. 1. The items shown in phantom lines are for illustrative purposes only and form no part of the subject invention;

**OTHER PUBLICATIONS**

<http://www.ridgid.com/Tools/SeeSnake-micro>.

\* cited by examiner

FIG. 6 is another perspective view of the display housing for a remote visual inspection device of FIG. 1 with an upper portion rotated to a first exemplary position relative to a lower portion. The items shown in phantom lines are for illustrative purposes only and form no part of the subject invention;

FIG. 7 is a perspective view of another display housing for a remote visual inspection device. The items shown in phantom lines are for illustrative purposes only and form no part of the subject invention;

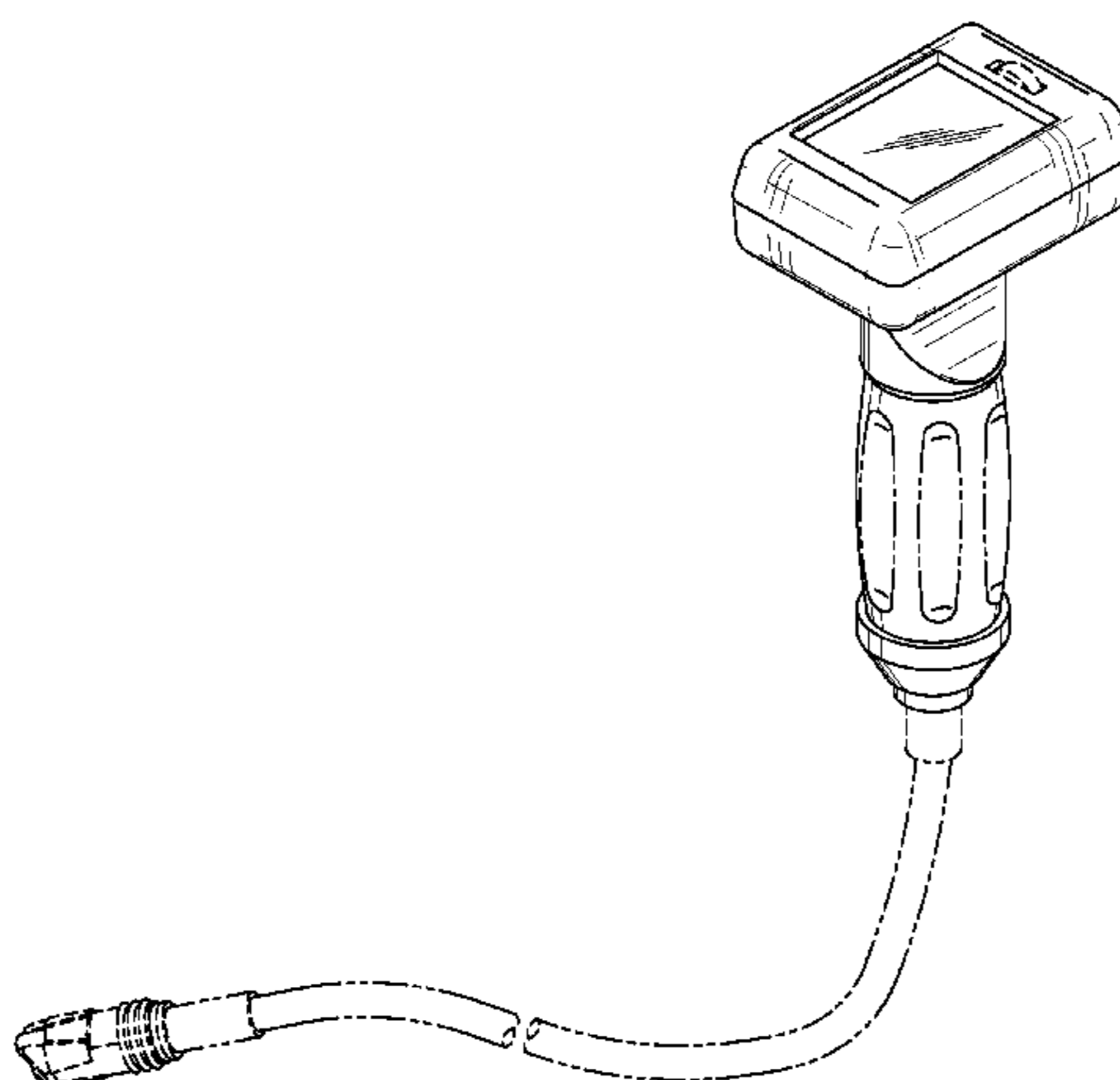


FIG. 8 is a plan view of the display housing for a remote visual inspection device of FIG. 7. The items shown in phantom lines are for illustrative purposes only and form no part of the subject invention;

FIG. 9 is a left side view of the display housing for a remote visual inspection device of FIG. 7. The opposite side of the remote visual inspection device is a mirror image of the side shown in FIG. 9. The items shown in phantom lines are for illustrative purposes only and form no part of the subject invention;

FIG. 10 is a front view of the display housing for a remote visual inspection device of FIG. 7. The items shown in phantom lines are for illustrative purposes only and form no part of the subject invention;

FIG. 11 is a back view of the display housing for a remote visual inspection device of FIG. 7. The items shown in phantom lines are for illustrative purposes only and form no part of the subject invention; and,

FIG. 12 is a perspective view of the display housing for a remote visual inspection device of FIG. 7 with an upper portion pivoted to a first exemplary position relative to a lower portion. The items shown in phantom lines are for illustrative purposes only and form no part of the subject invention.

**1 Claim, 4 Drawing Sheets**

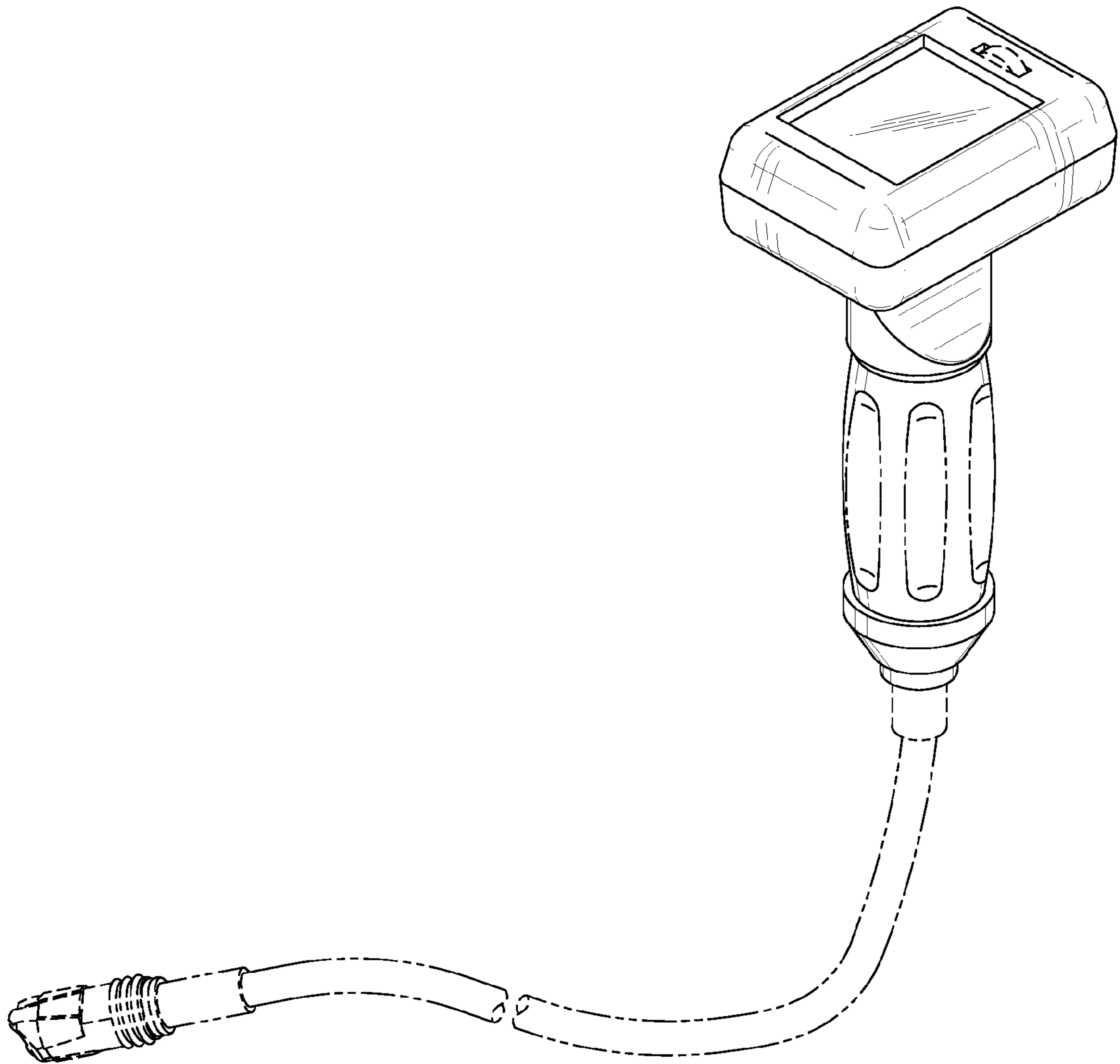


Fig-1

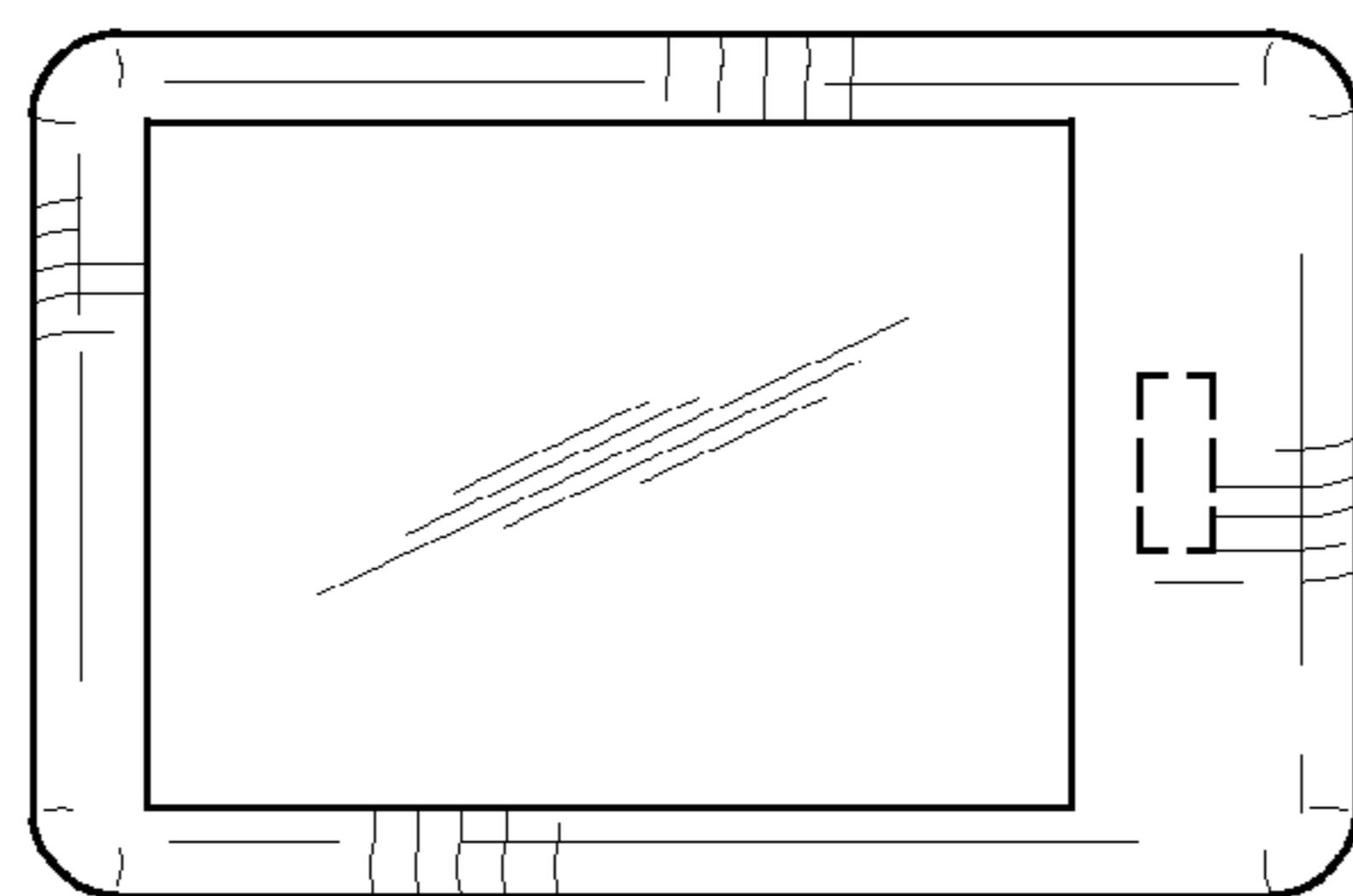


Fig-2

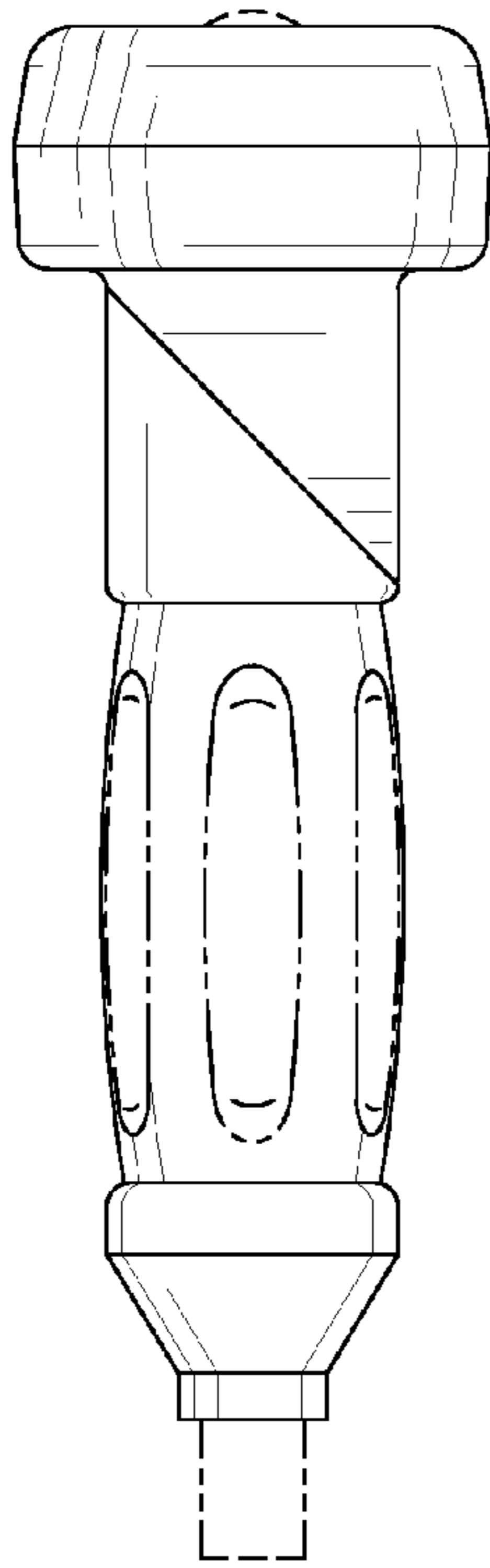


Fig-3

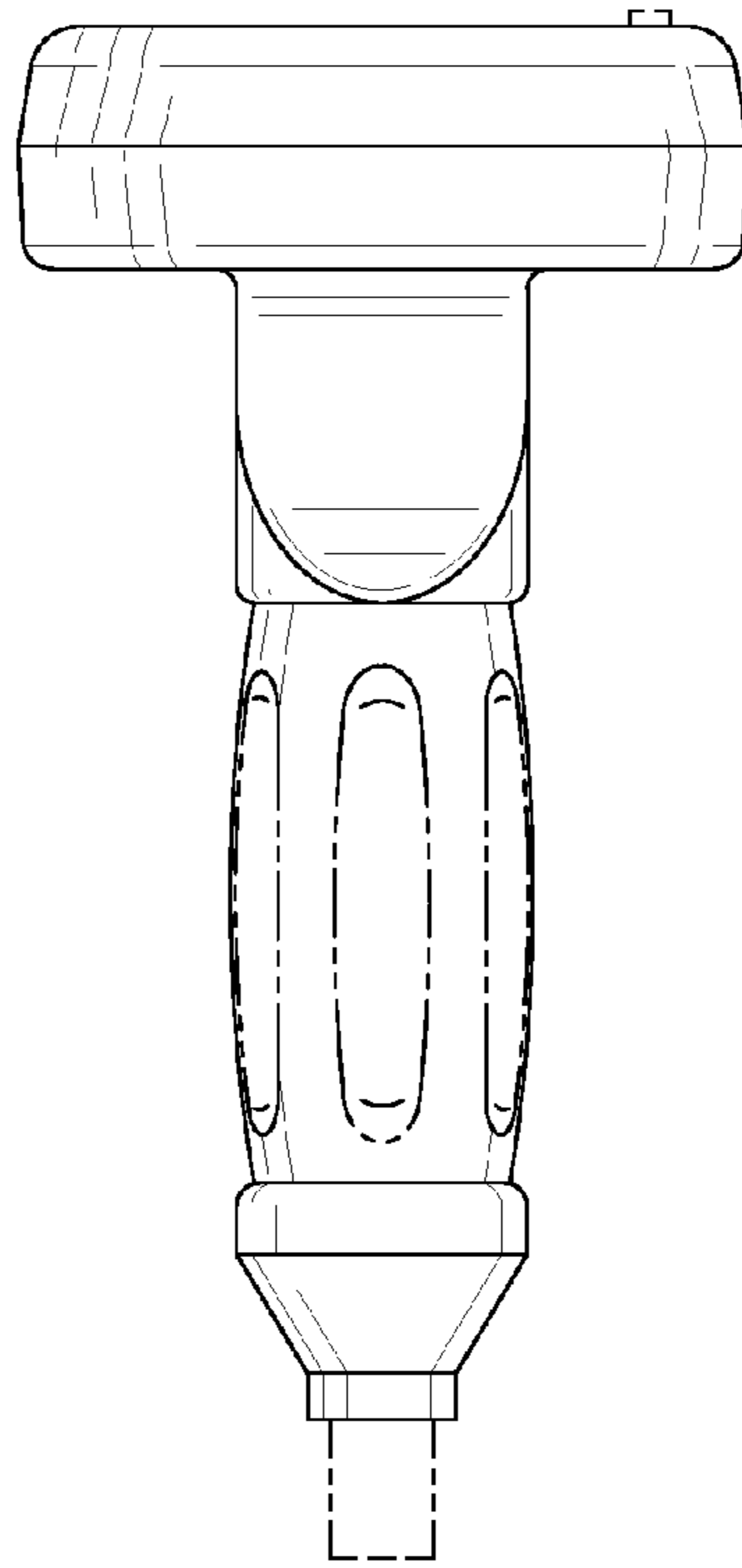


Fig-4

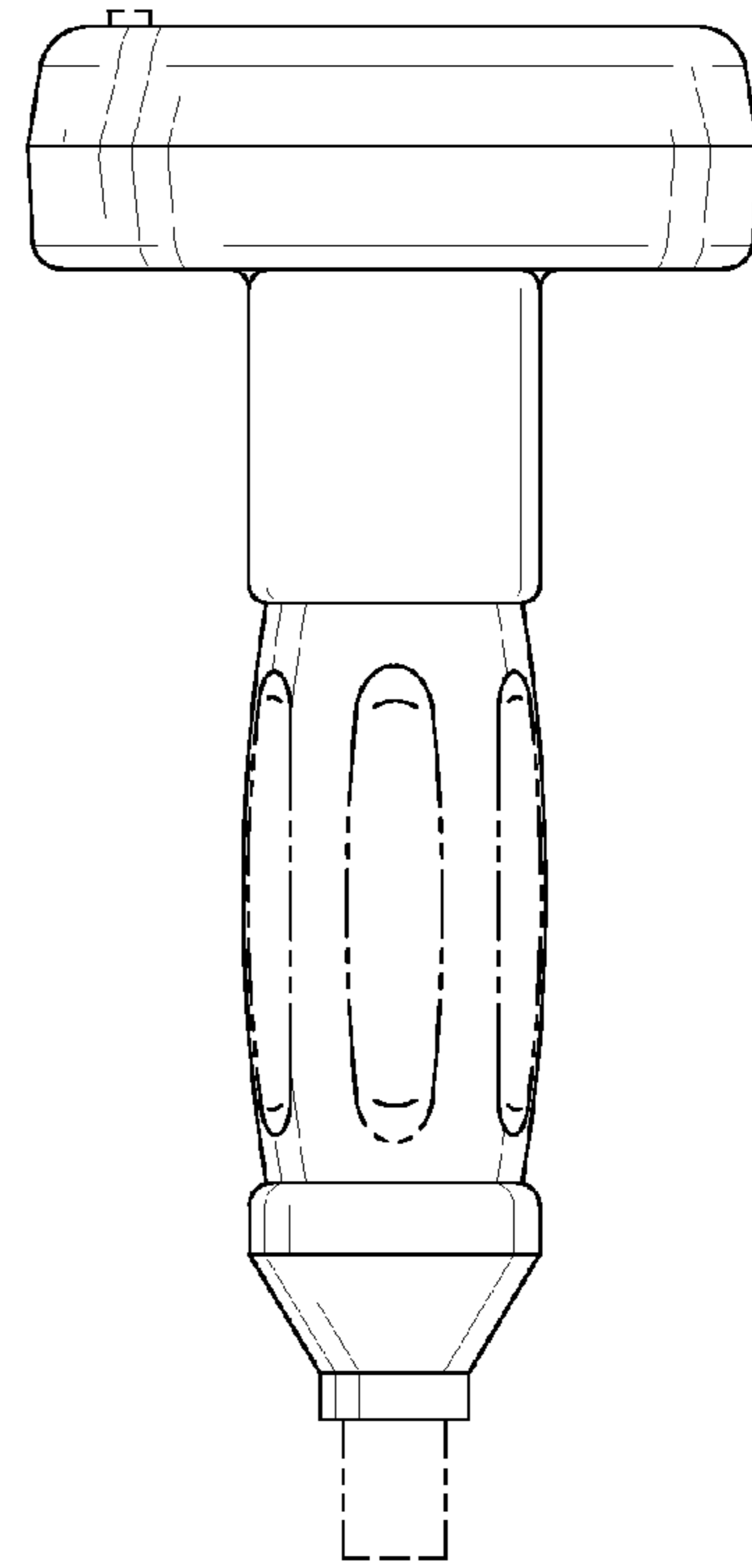


Fig-5

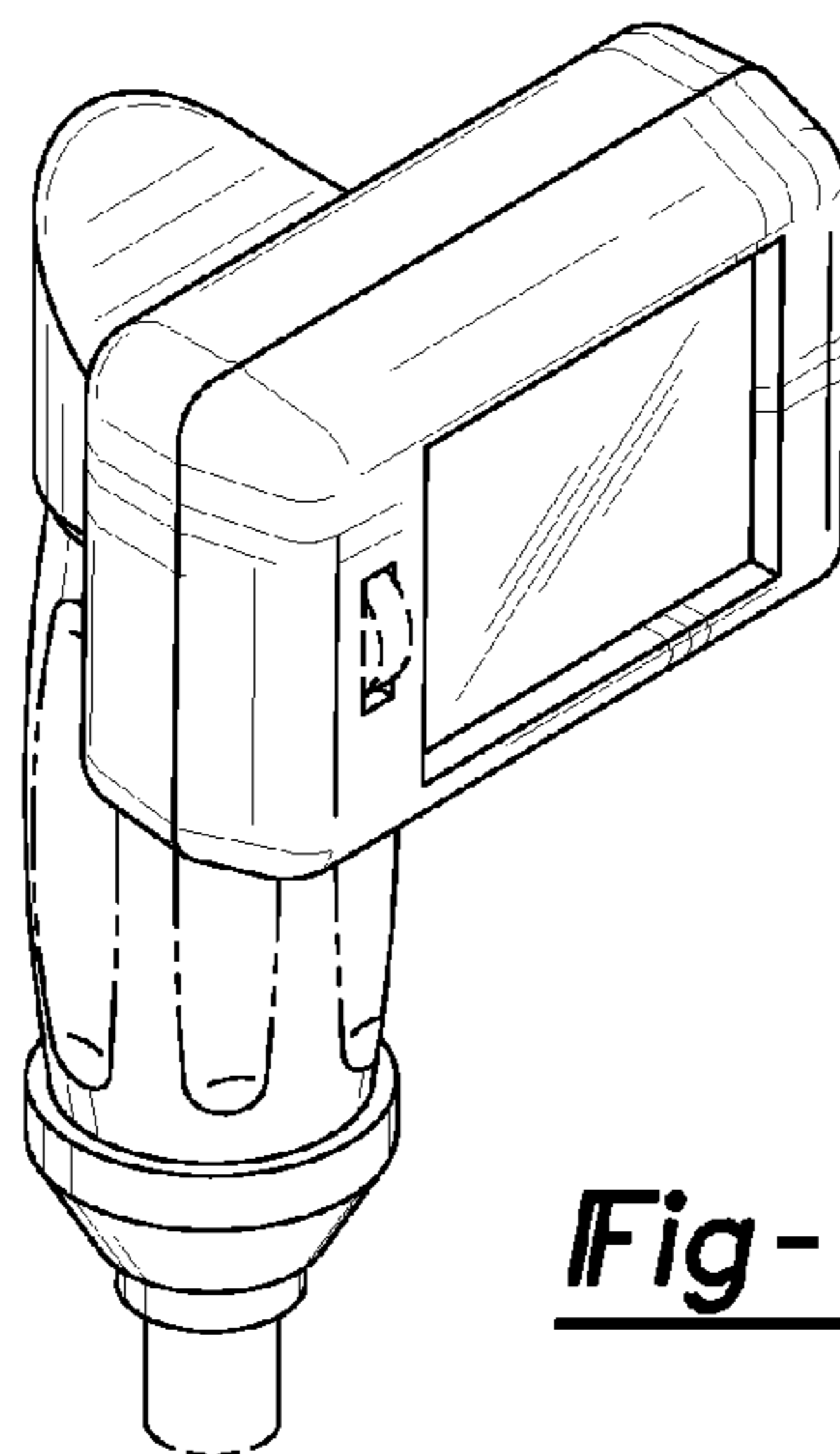


Fig-6

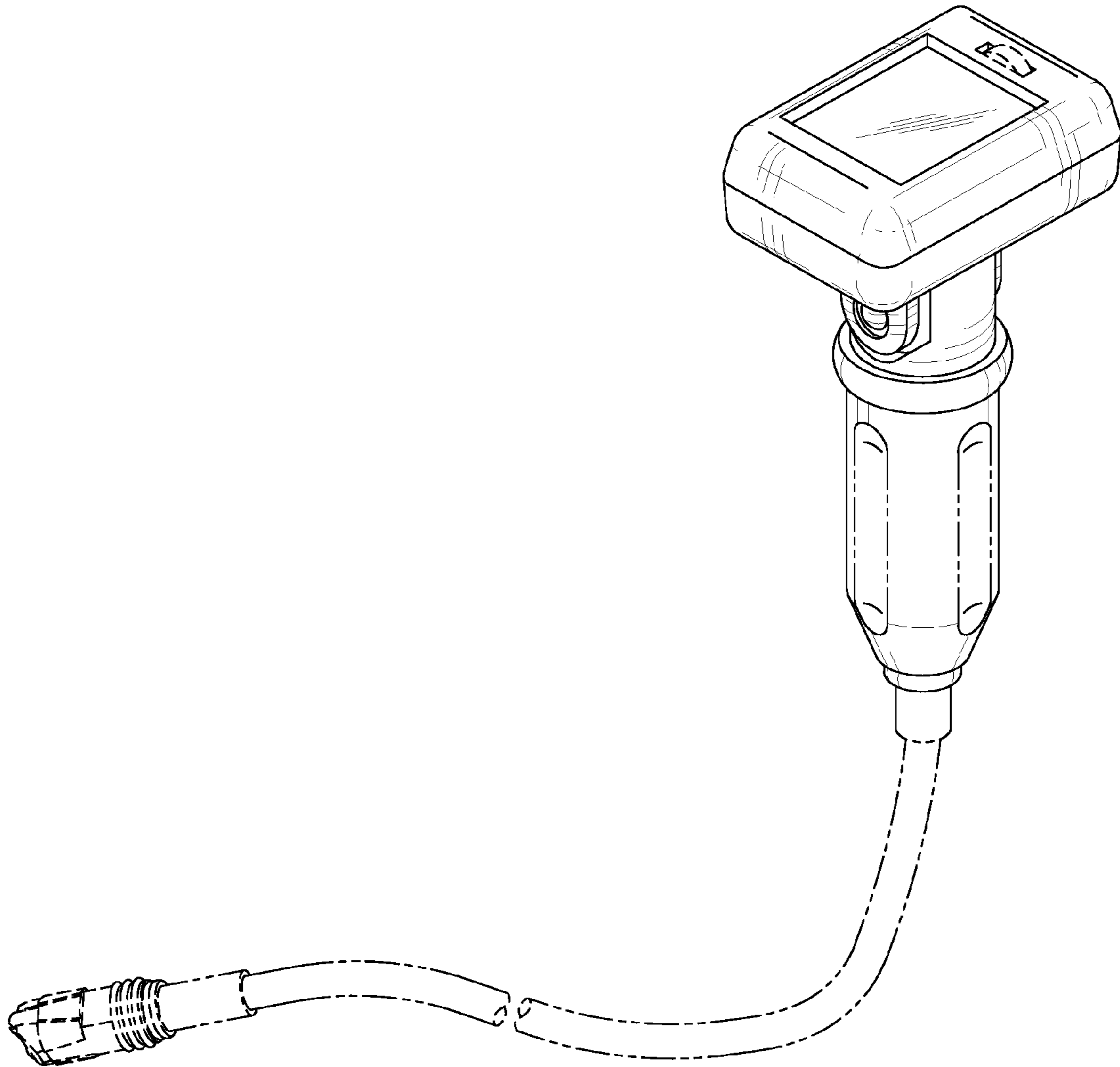


Fig-7

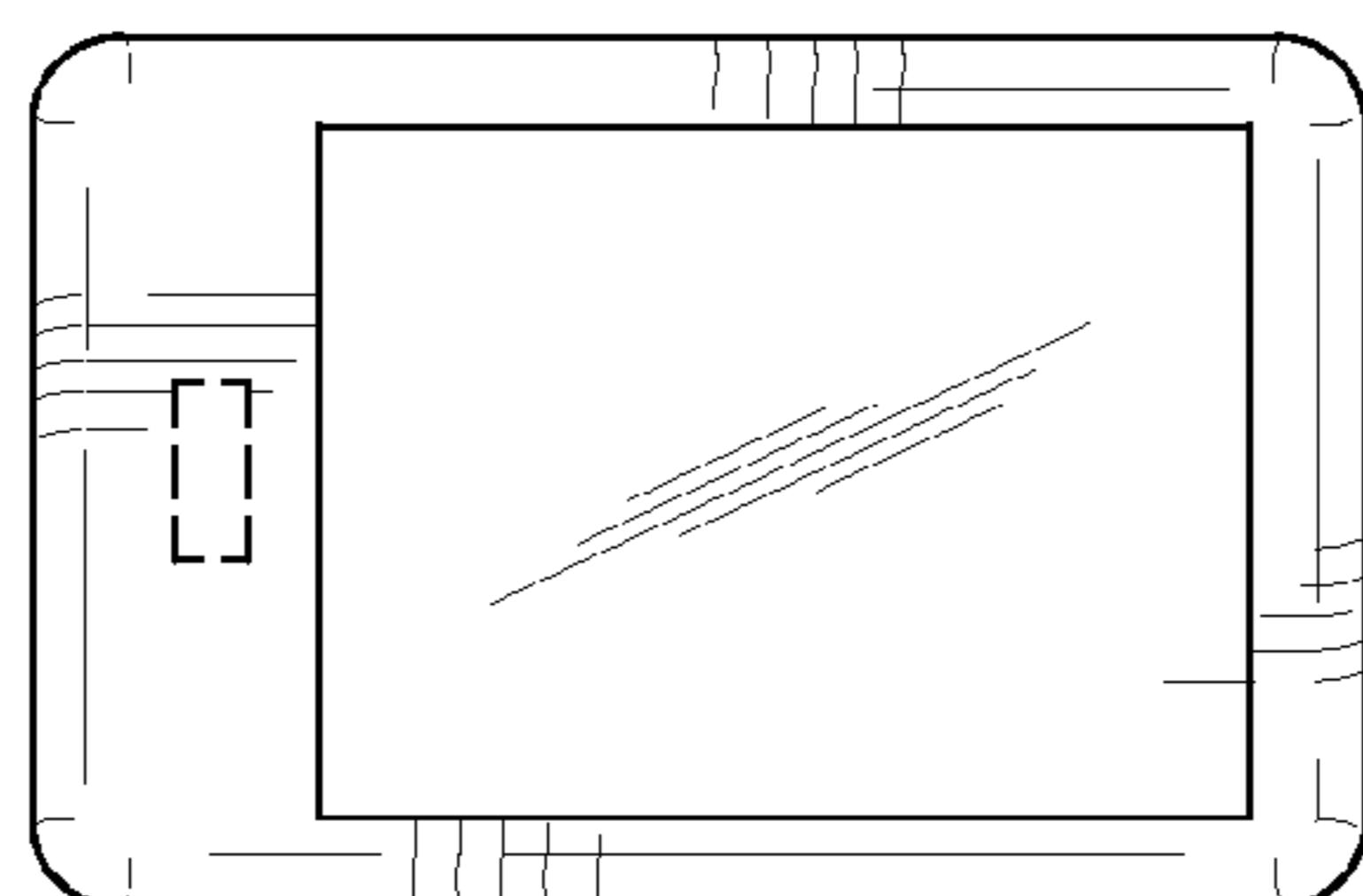


Fig-8

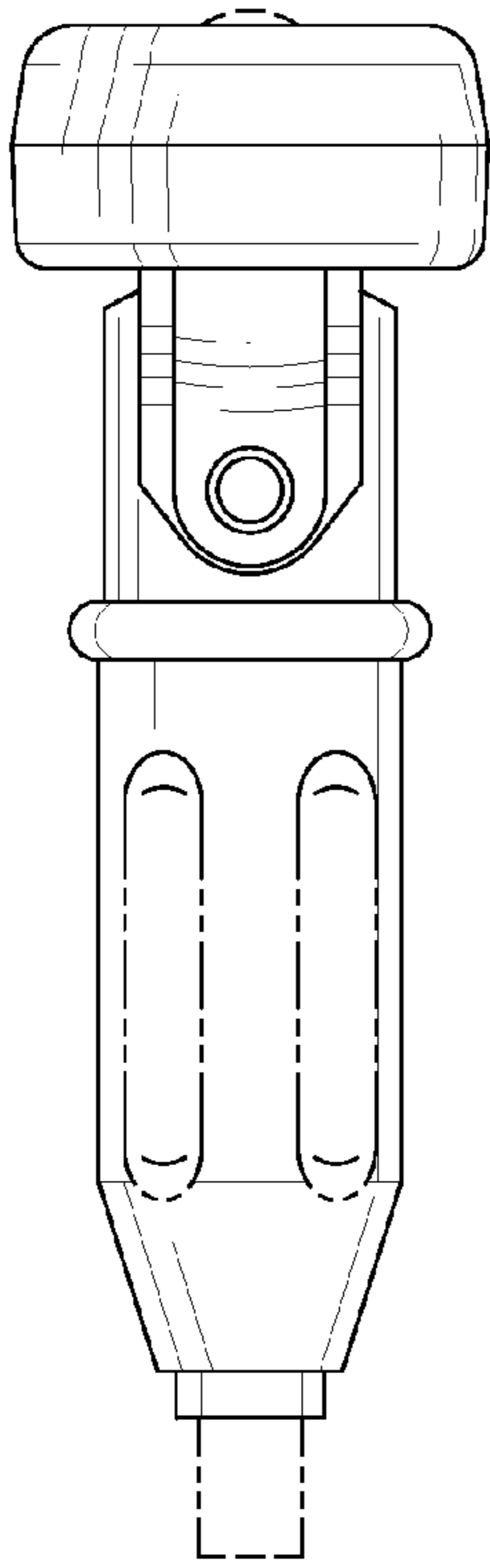


Fig-9

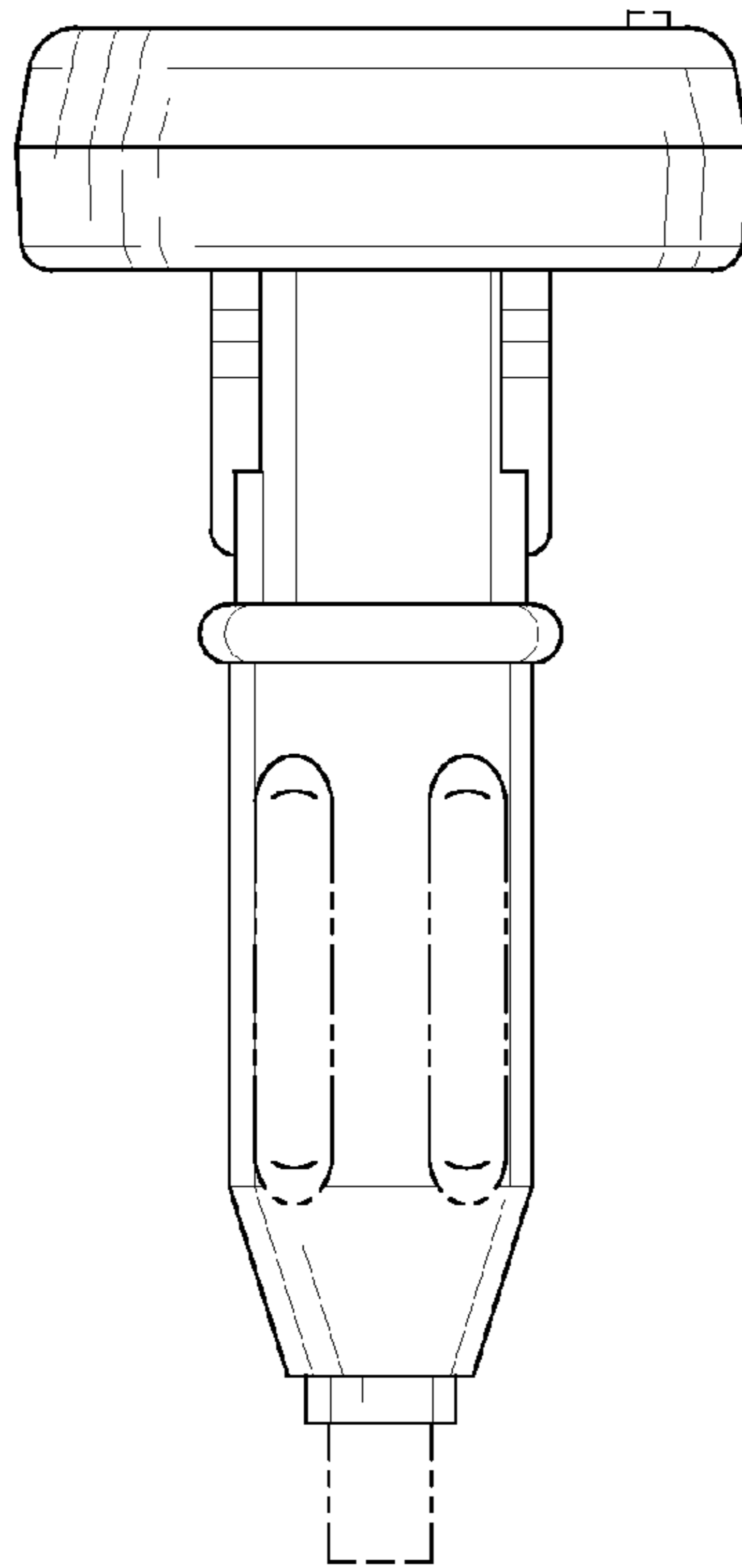


Fig-10

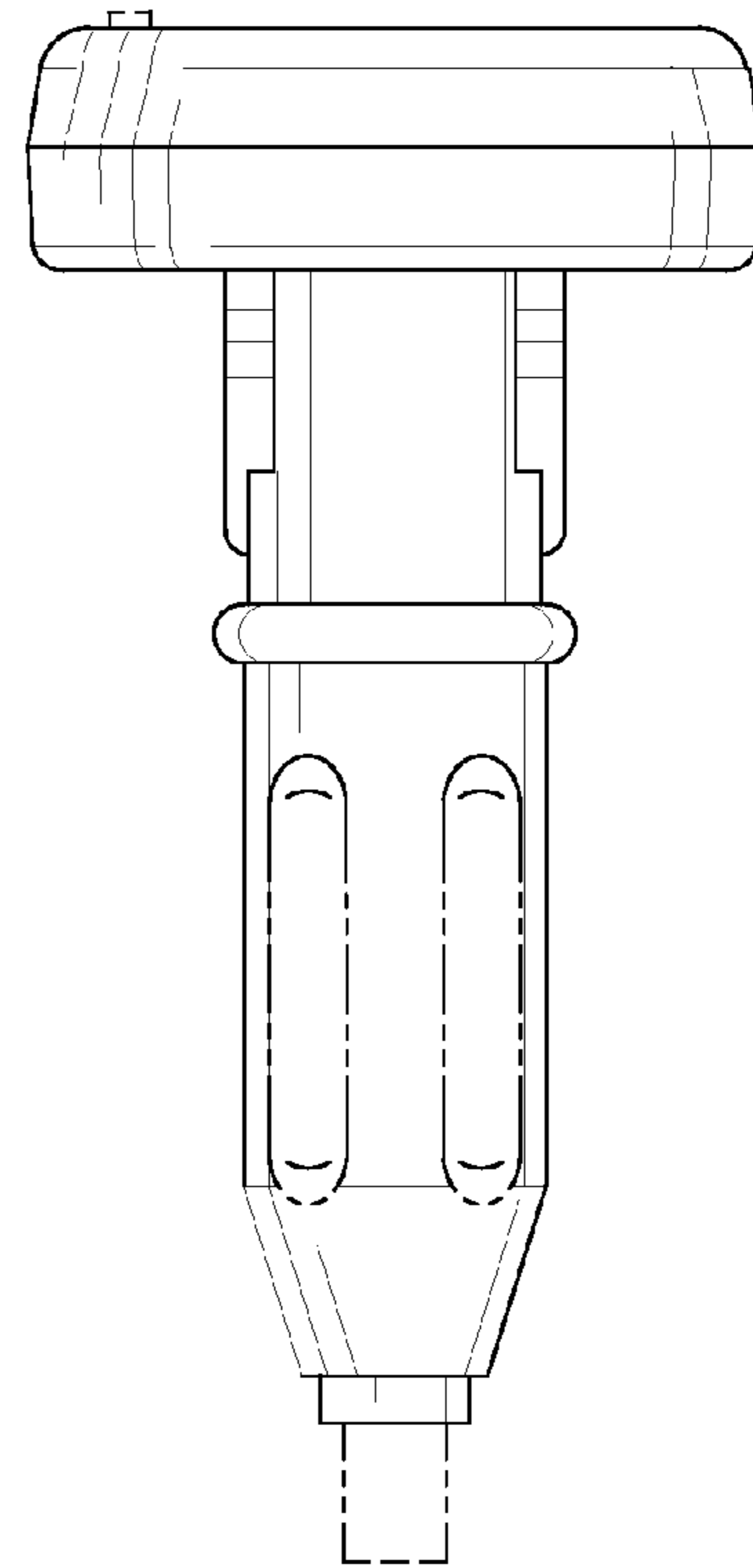


Fig-11

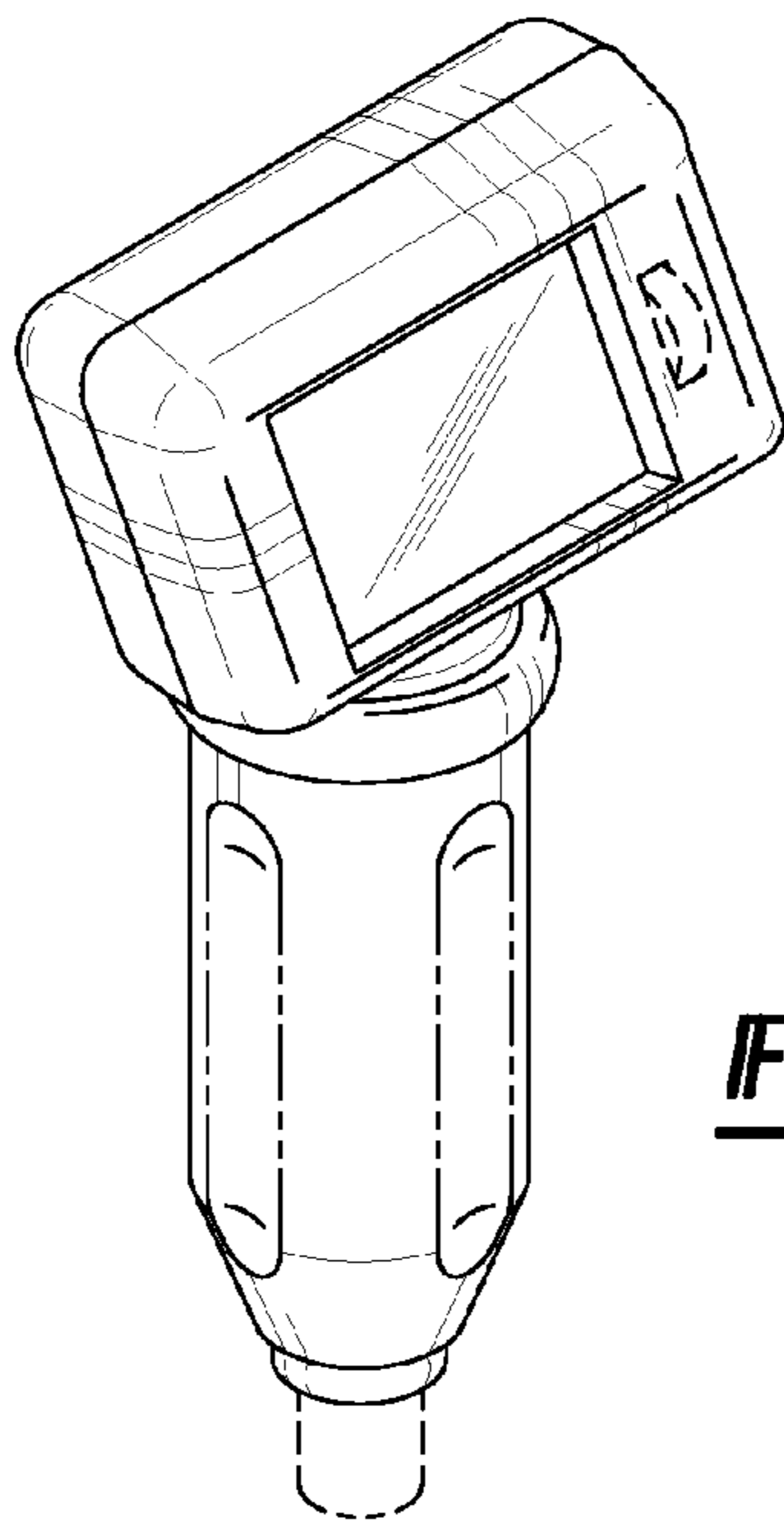


Fig-12