



US00D573895S

(12) **United States Design Patent**  
**Lablaine**

(10) **Patent No.:** **US D573,895 S**  
(45) **Date of Patent:** **\*\* Jul. 29, 2008**

(54) **BOTTLE**

(75) Inventor: **Bruno Lablaine**, Chartres (FR)

(73) Assignee: **Reckitt Benckiser N.V.**, Hoofddorp (NL)

(\*\*) Term: **14 Years**

(21) Appl. No.: **29/276,495**

(22) Filed: **Jan. 26, 2007**

(30) **Foreign Application Priority Data**

Jul. 27, 2006 (EM) ..... 000566658-0002

(51) **LOC (8) Cl.** ..... **09-01**

(52) **U.S. Cl.** ..... **D9/651; D9/566**

(58) **Field of Classification Search** ..... D9/651,  
D9/500-503, 516, 519, 544, 548, 553-555,  
D9/566-568, 571-575, 542-546; D7/514-515,  
D7/599, 613, 619.2, 623, 628; 215/379-383,  
215/400; 206/457, 459.1, 822-823; 220/890

See application file for complete search history.

(56) **References Cited**

**U.S. PATENT DOCUMENTS**

- D76,976 S \* 11/1928 Applebaum ..... D9/651
- D115,388 S \* 6/1939 Burguno ..... D9/568
- D224,513 S \* 8/1972 Koenigsberg ..... D9/542
- D247,093 S \* 1/1978 Torongo et al. .... D9/542
- D277,455 S \* 2/1985 Tordjman ..... D9/546
- D289,142 S \* 4/1987 Bijaoui ..... D9/546
- D531,515 S \* 11/2006 Owens et al. .... D9/566
- D533,072 S \* 12/2006 Kelly ..... D9/566

D545,212 S \* 6/2007 Kelly ..... D9/566

\* cited by examiner

*Primary Examiner*—Sandra Morris

(57) **CLAIM**

The ornamental design for a bottle, as shown and described.

**DESCRIPTION**

FIG. 1 is an elevated view of the front of a bottle according to the present invention;

FIG. 2 is an elevated view of the rear thereof;

FIG. 3 is an elevated view of the right side thereof;

FIG. 4 is an elevated view of the left side thereof;

FIG. 5 is a plan view of the top thereof;

FIG. 6 is a plan view of the bottom thereof;

FIG. 7 is an elevated view of the front of a second embodiment of a bottle of the present invention;

FIG. 8 is an elevated view of the rear of the second embodiment thereof;

FIG. 9 is an elevated view of the right side of the second embodiment thereof;

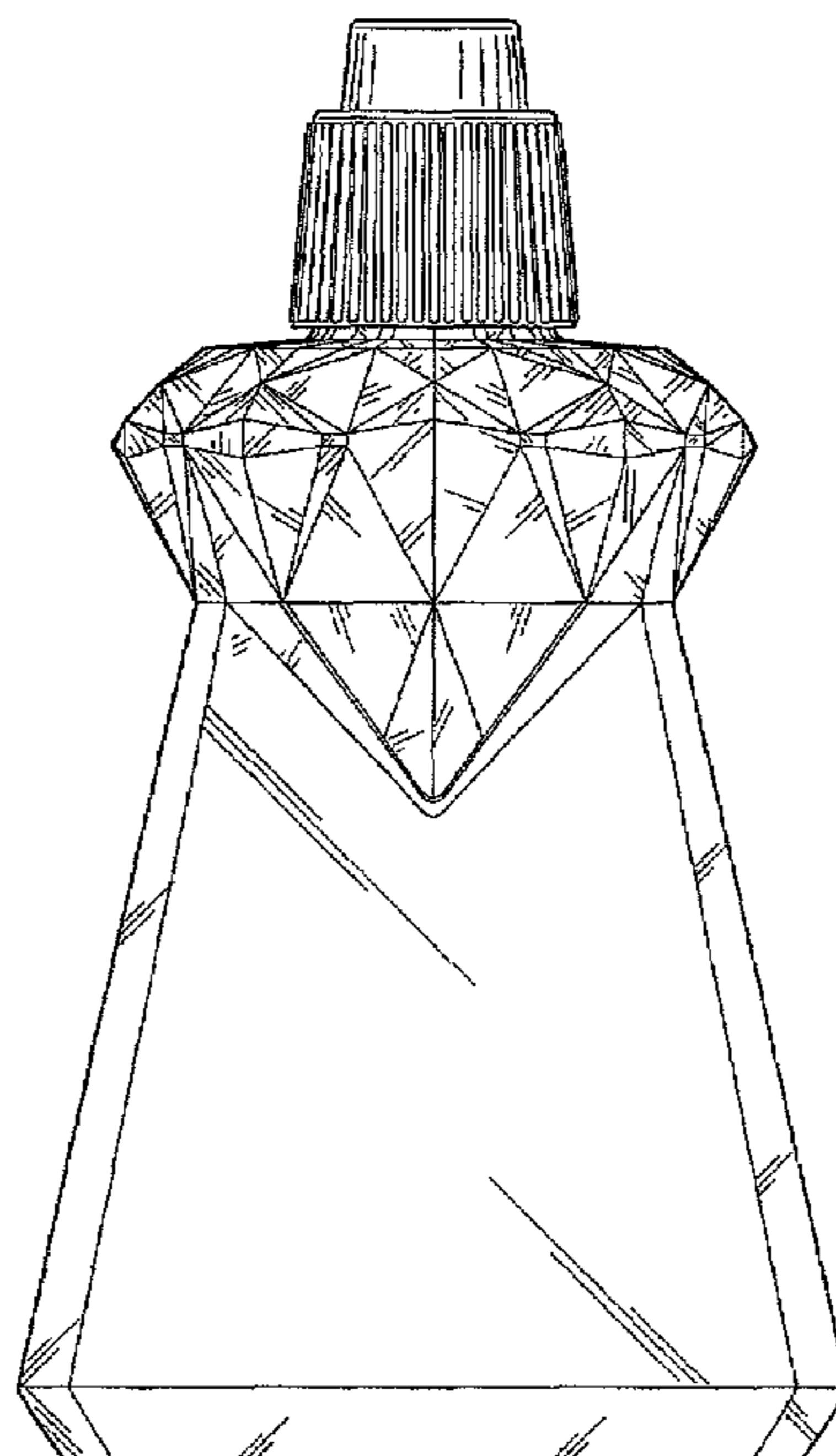
FIG. 10 is an elevated view of the left side of the second embodiment thereof;

FIG. 11 is a plan view of the top of the second embodiment thereof; and,

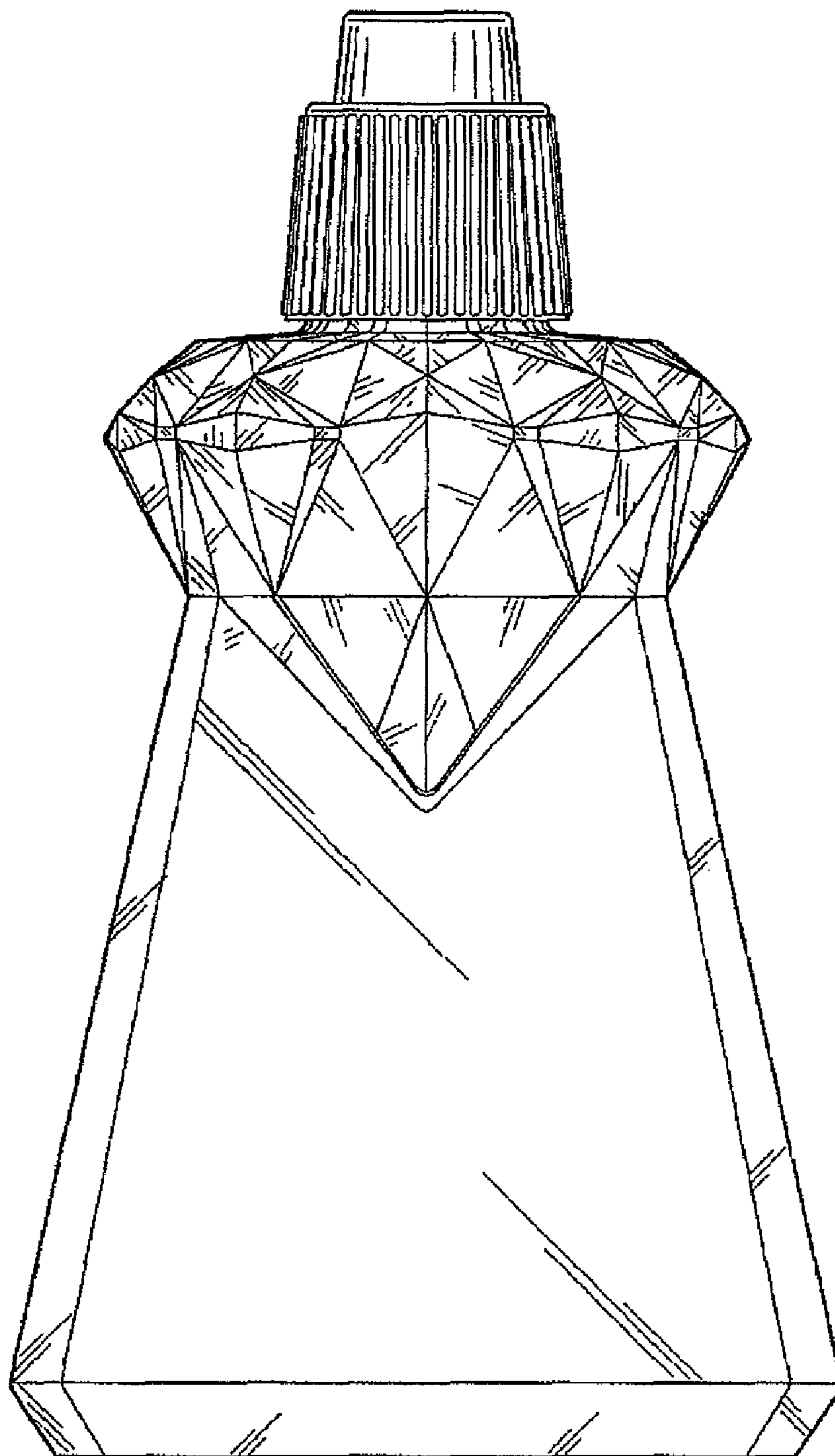
FIG. 12 is a plan view of the bottom of the second embodiment thereof.

The broken line showing is included for the purpose of illustrating and forms no part of the claimed design.

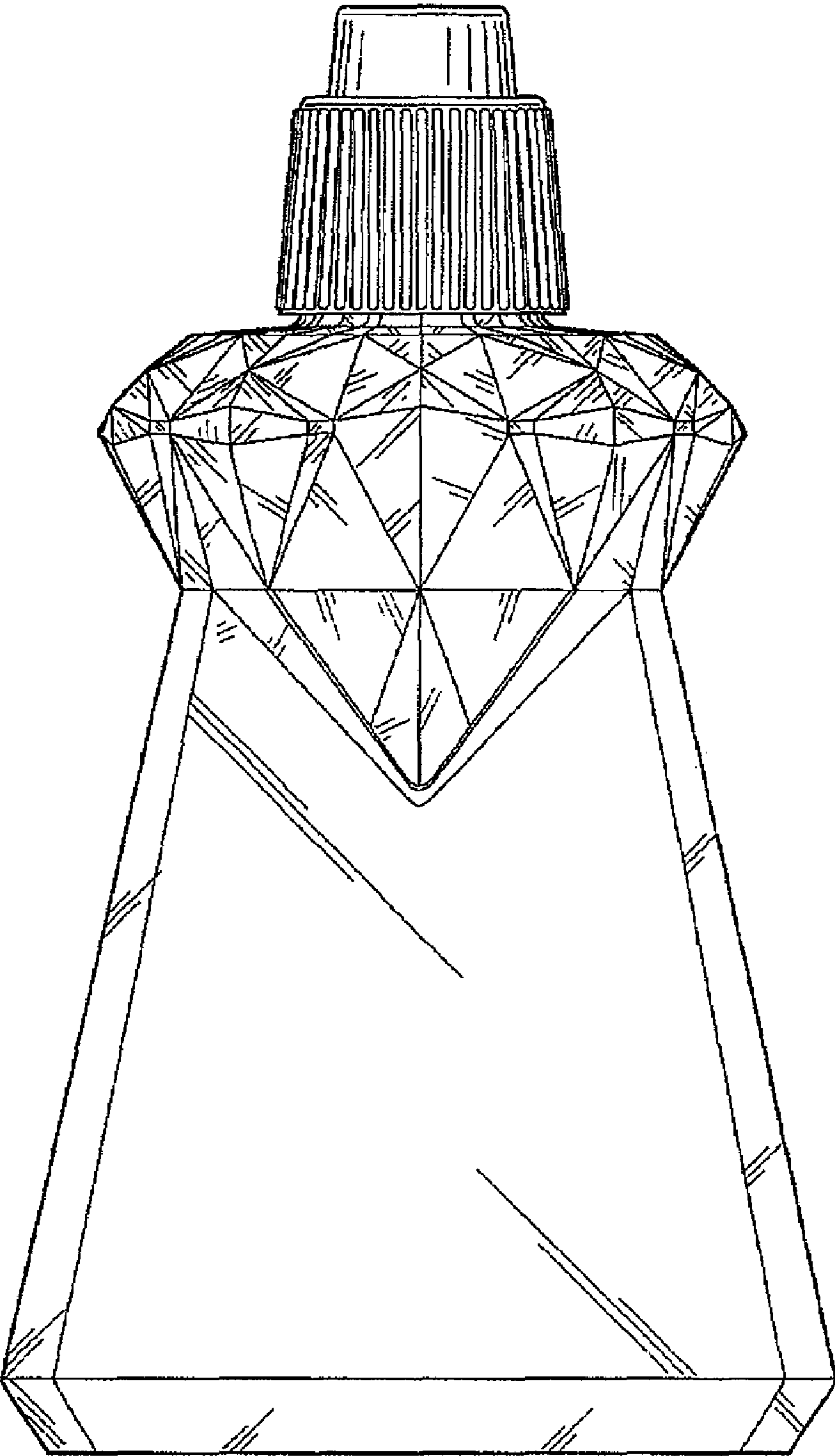
**1 Claim, 8 Drawing Sheets**



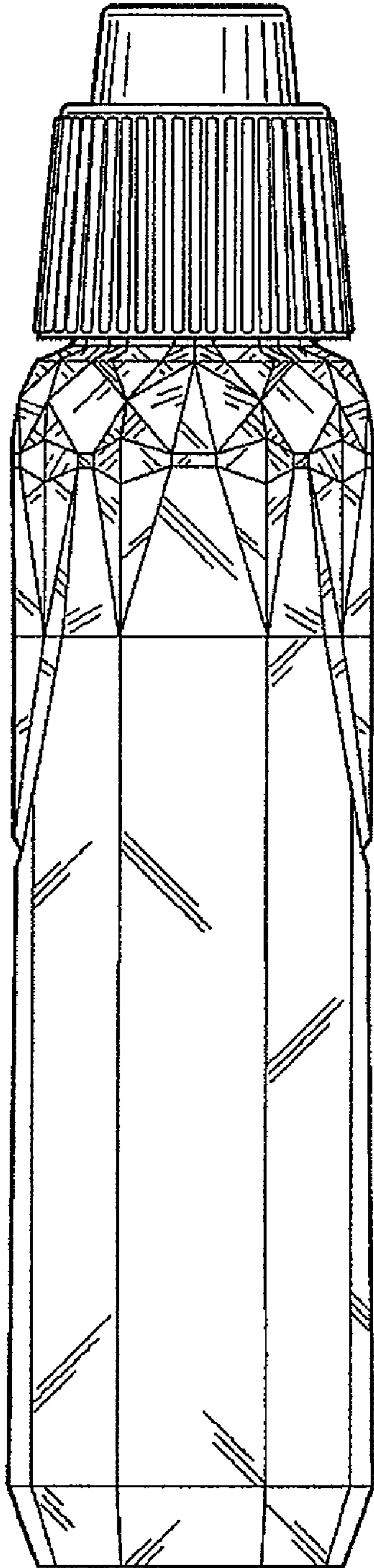
**FIG. 1**



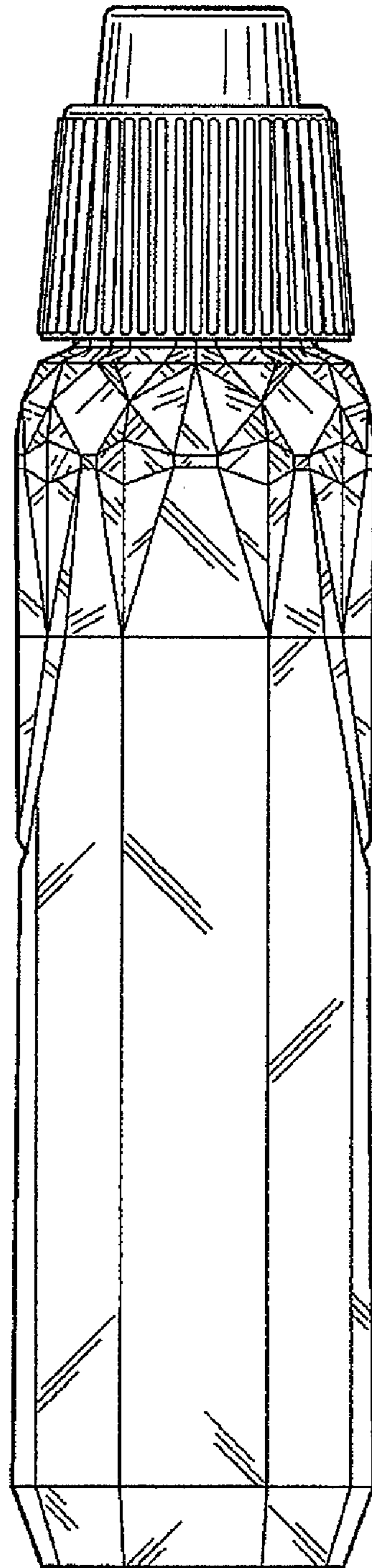
**FIG. 2**



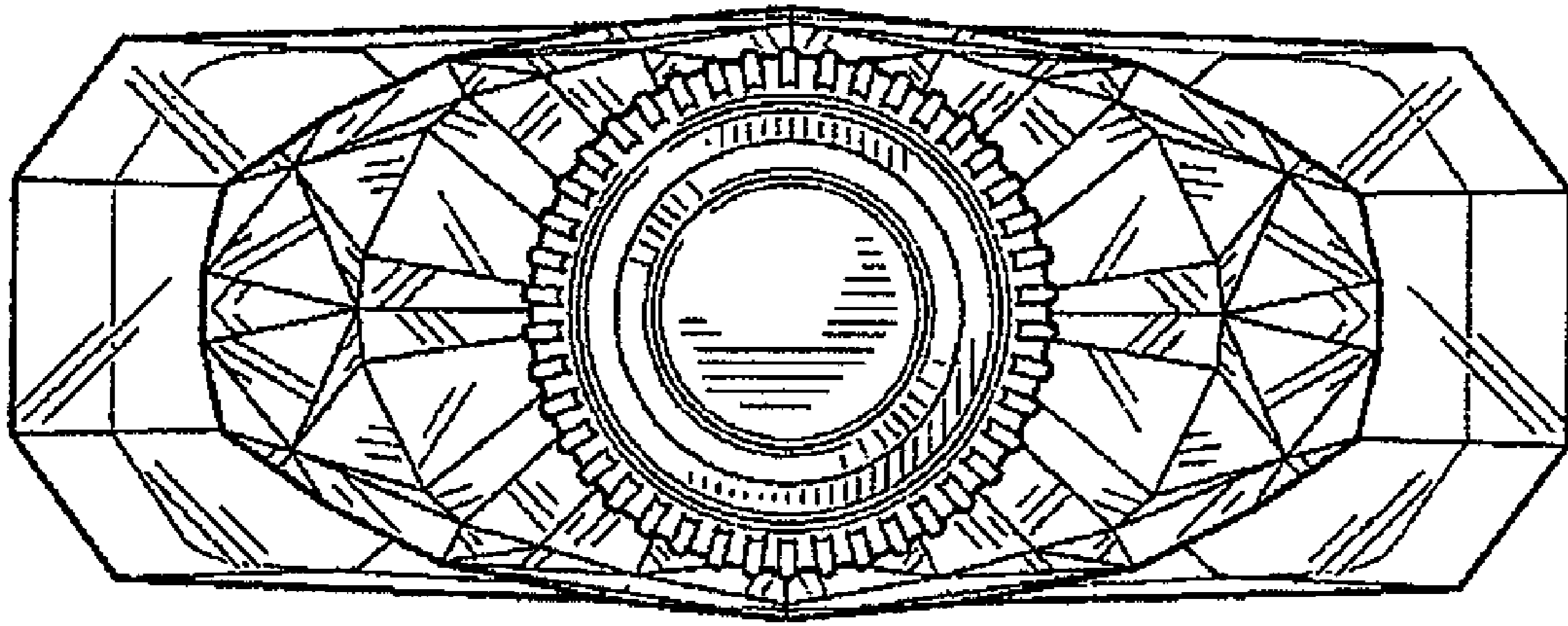
**FIG. 3**



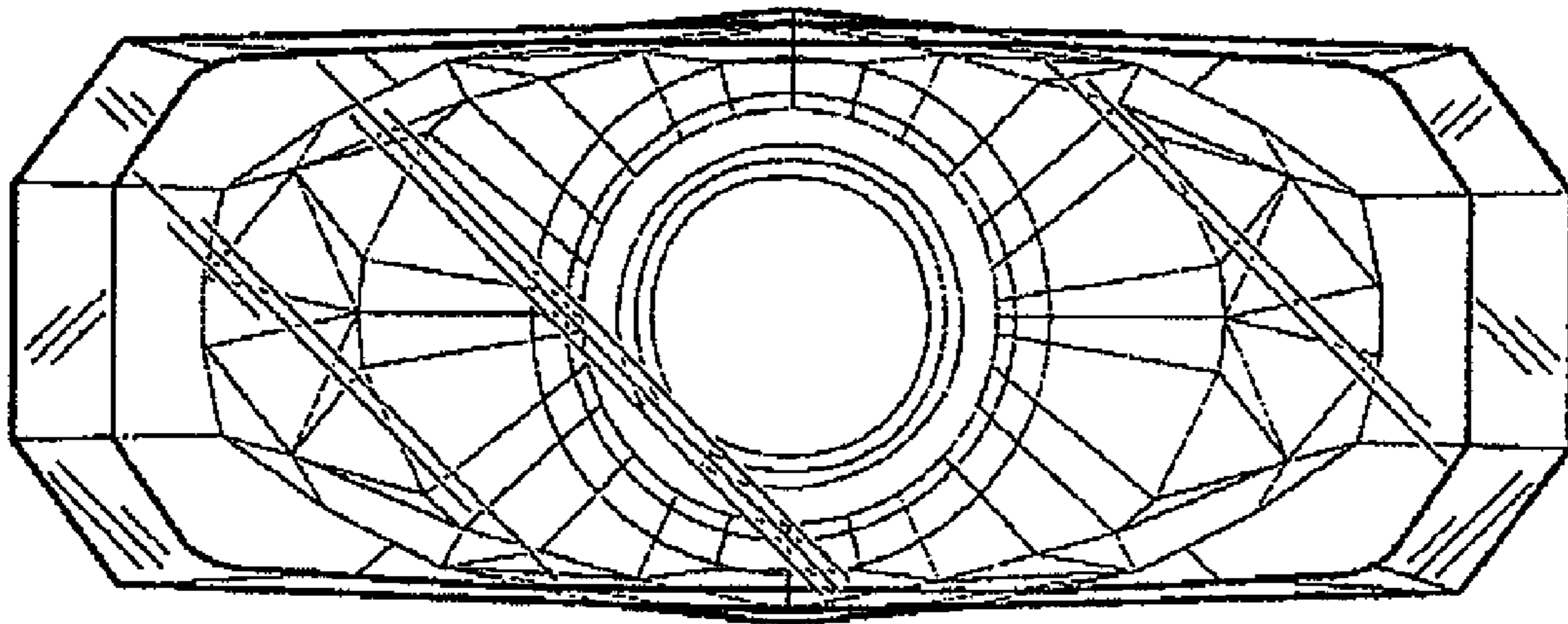
**FIG. 4**



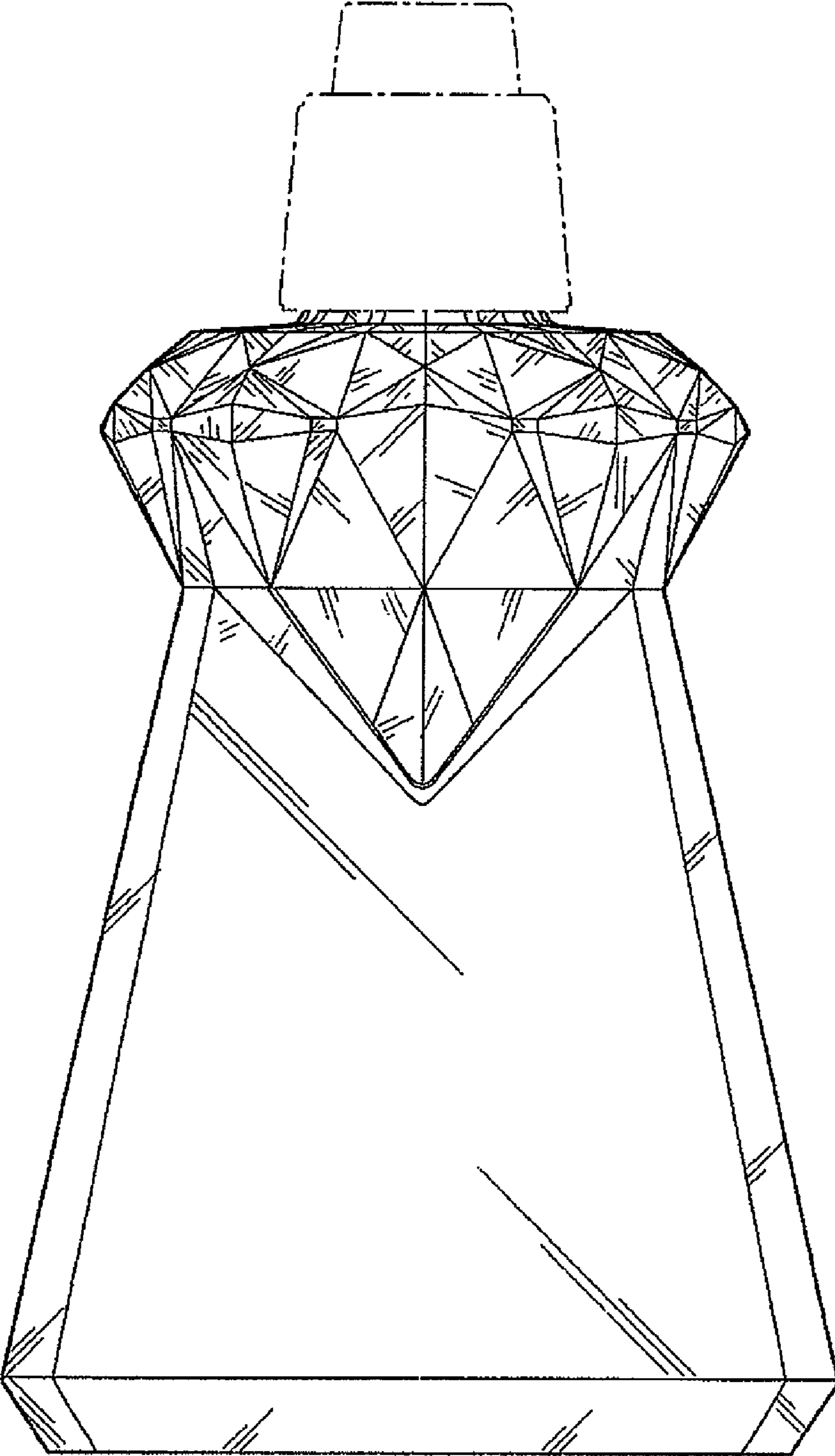
**FIG. 5**



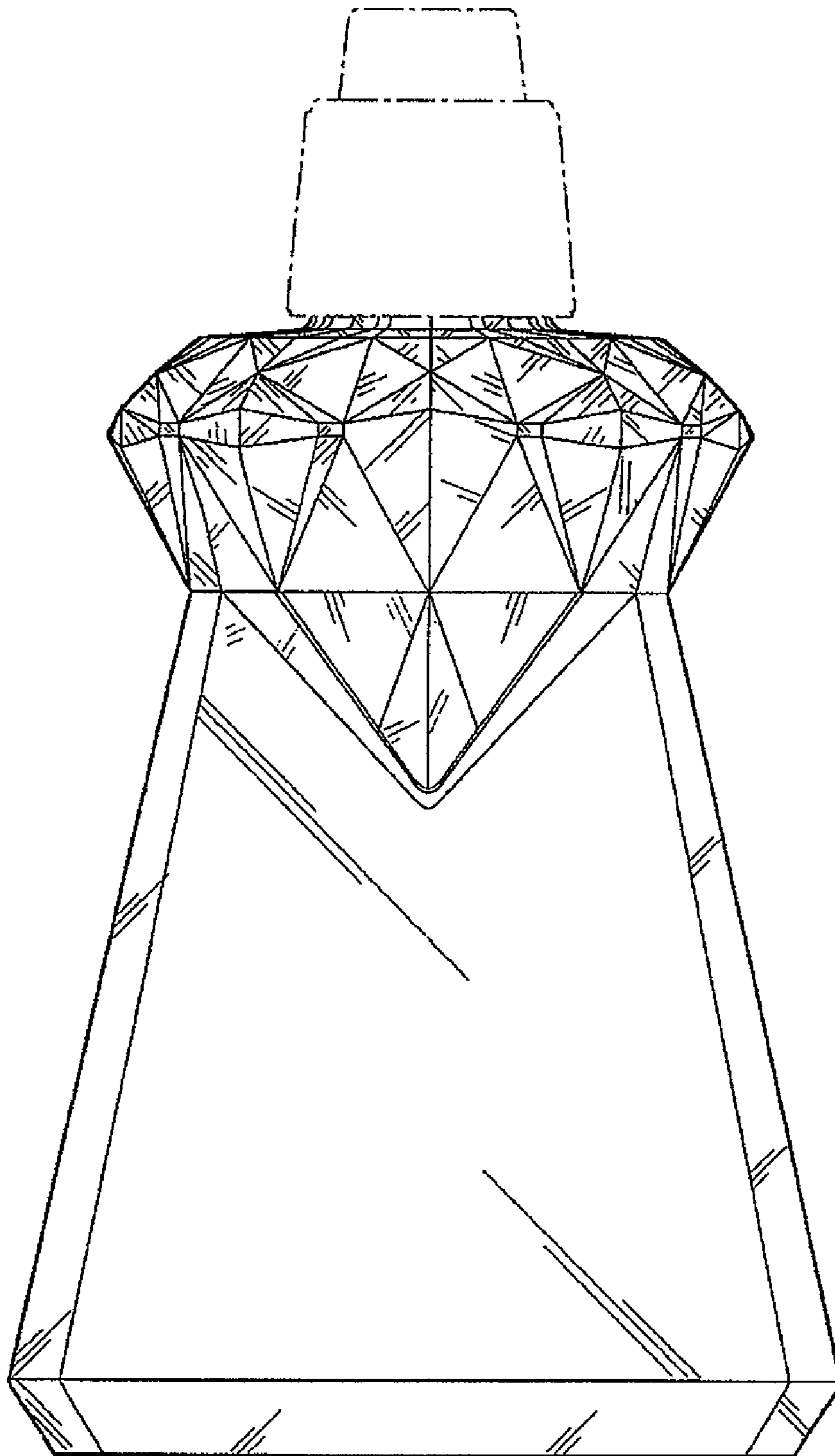
**FIG. 6**



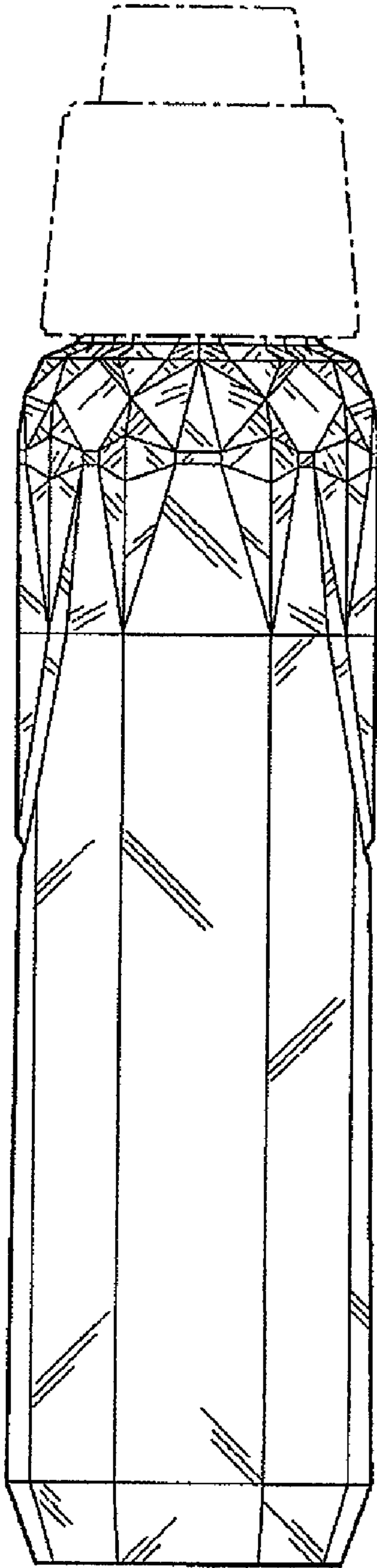
**FIG. 7**



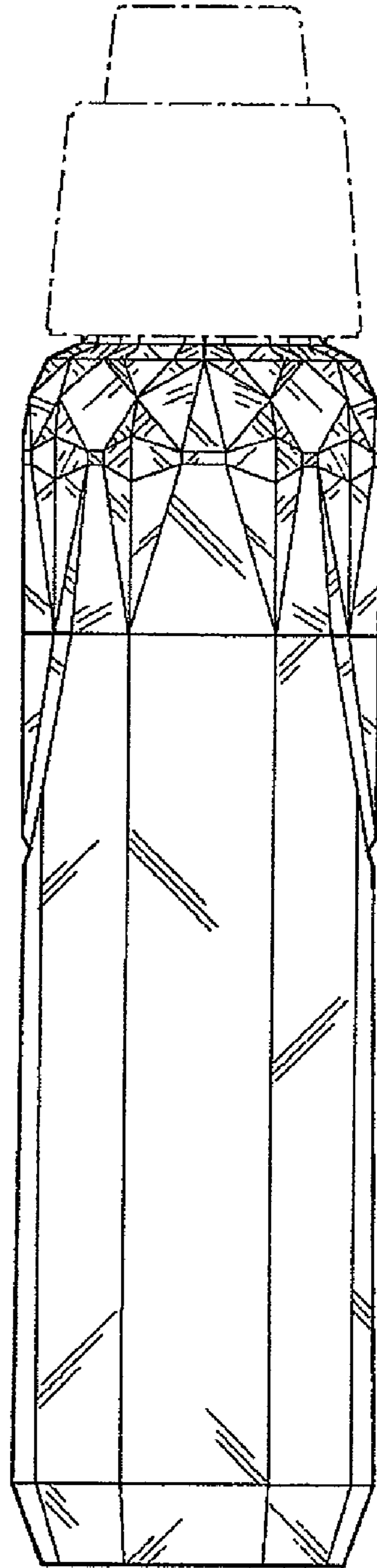
**FIG. 8**



**FIG. 9**

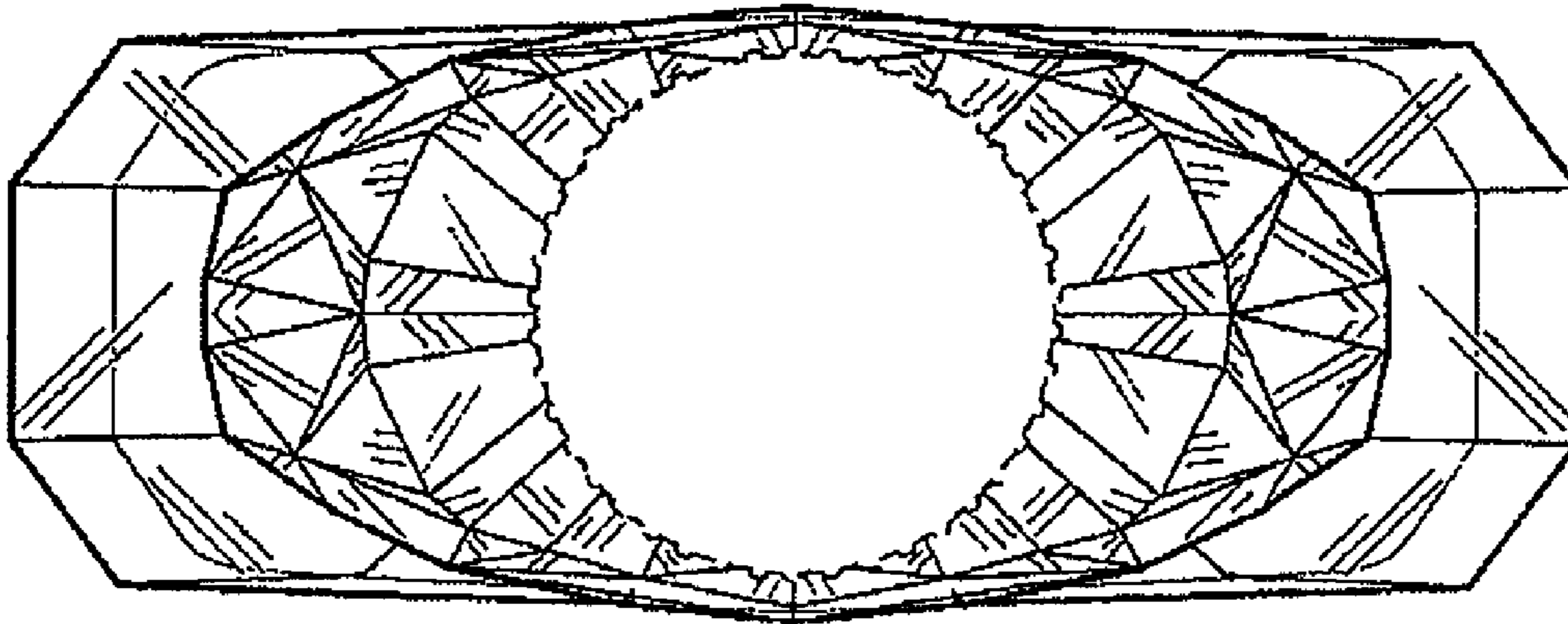


**FIG. 10**





**FIG. 11**



**FIG. 12**

