



US00D573893S

(12) **United States Design Patent**
Moretti

(10) **Patent No.:** **US D573,893 S**

(45) **Date of Patent:** **** *Jul. 29, 2008**

(54) **BOTTLES**

D546,701 S * 7/2007 Henderson D9/560
D550,094 S * 9/2007 Henderson D9/560

(75) Inventor: **Matteo Moretti**, Crema (IT)

* cited by examiner

(73) Assignee: **LUMSON S.p.A.**, Capergnanica
(Cremona) (IT)

Primary Examiner—Ian Simmons
Assistant Examiner—Dana L Sipos

(*) Notice: This patent is subject to a terminal disclaimer.

(74) *Attorney, Agent, or Firm*—Young & Thompson

(**) Term: **14 Years**

(57) **CLAIM**

(21) Appl. No.: **29/260,481**

The ornamental design for a bottle, as shown and described.

(22) Filed: **May 26, 2006**

DESCRIPTION

(30) **Foreign Application Priority Data**

Nov. 29, 2005 (EM) 000439633-0002/0003/0004

FIG. 1 is a top, front, right side perspective view of a bottle showing my new design;

(51) **LOC (8) Cl.** **09-01**

(52) **U.S. Cl.** **D9/574; D9/560; D9/573**

FIG. 2 is a front side elevational view thereof, the rear elevational view being identical;

(58) **Field of Classification Search** D9/516,
D9/529, 560, 564–565, 571–575, 682, 686–687,
D9/690, 691–694; D28/76, 78, 91, 91.1;
215/379–383; 220/660–662, 669, 675
See application file for complete search history.

FIG. 3 is a right side elevational view thereof, the left side elevational view being identical;

FIG. 4 is a top plan view thereof;

(56) **References Cited**

U.S. PATENT DOCUMENTS

D103,049 S * 2/1937 Higgins D9/574
D103,050 S * 2/1937 Higgins D9/560
D103,051 S * 2/1937 Higgins D9/574
D107,575 S * 12/1937 Kihn D9/558
D115,343 S * 6/1939 Burgund D9/560
D120,756 S * 5/1940 Higgins D9/573
D480,965 S * 10/2003 Stillerud D9/417
6,682,246 B2 * 1/2004 Reggiani 401/264
7,101,105 B2 * 9/2006 Reggiani 401/205
D535,105 S * 1/2007 Chen D4/116
D545,685 S * 7/2007 Henderson D9/560

FIG. 5 is a top, front, right side perspective view of a second embodiment of a bottle showing my new design;

FIG. 6 is a front side elevational view thereof, the rear elevational view being identical;

FIG. 7 is a right side elevational view thereof, the left side elevational view being identical;

FIG. 8 is a top plan view thereof;

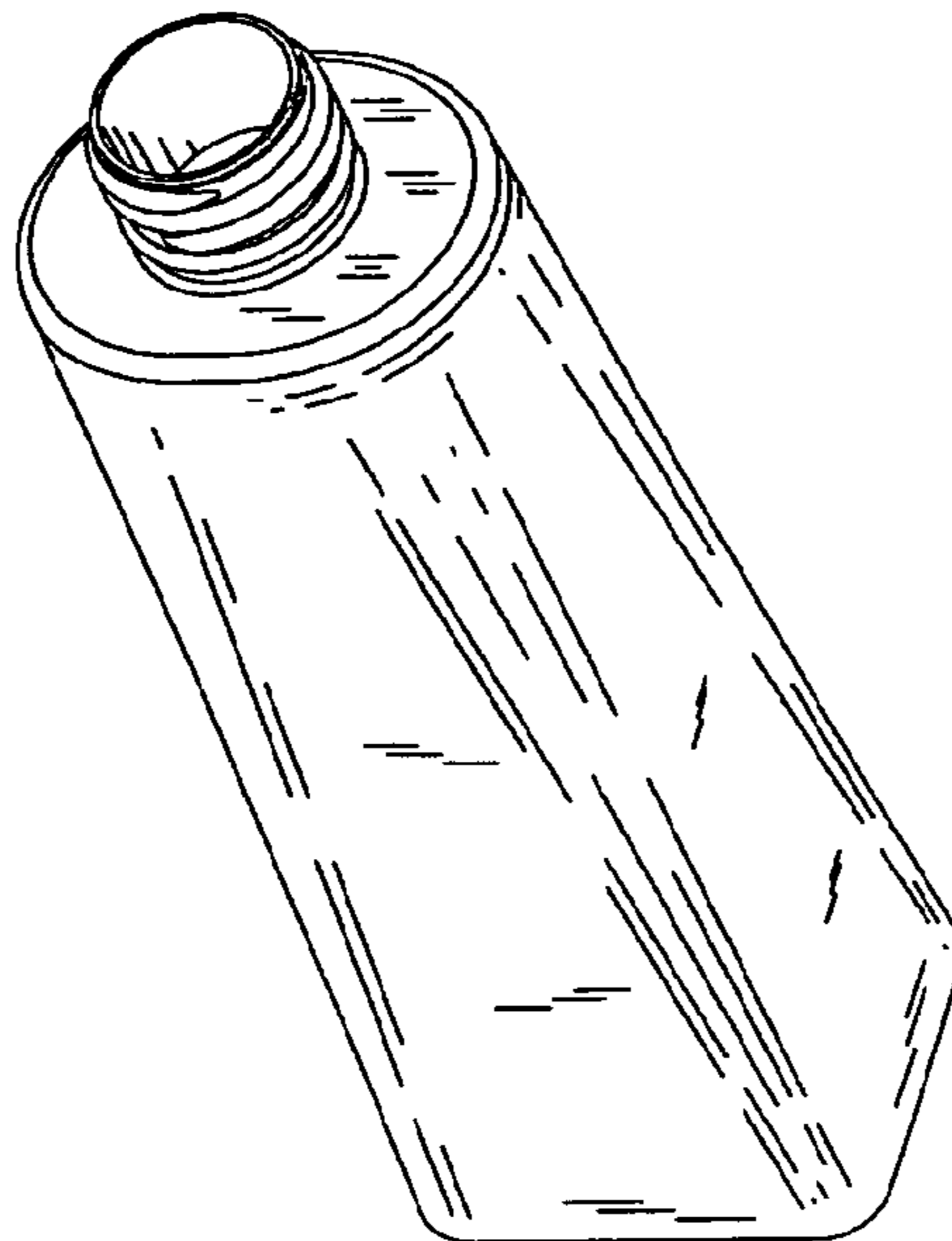
FIG. 9 is a top, front, right side perspective view of a third embodiment of a bottle showing my new design;

FIG. 10 is a front side elevational view thereof, the rear elevational view being identical;

FIG. 11 is a right side elevational view thereof, the left side elevational view being identical; and,

FIG. 12 is a top plan view thereof.

1 Claim, 3 Drawing Sheets



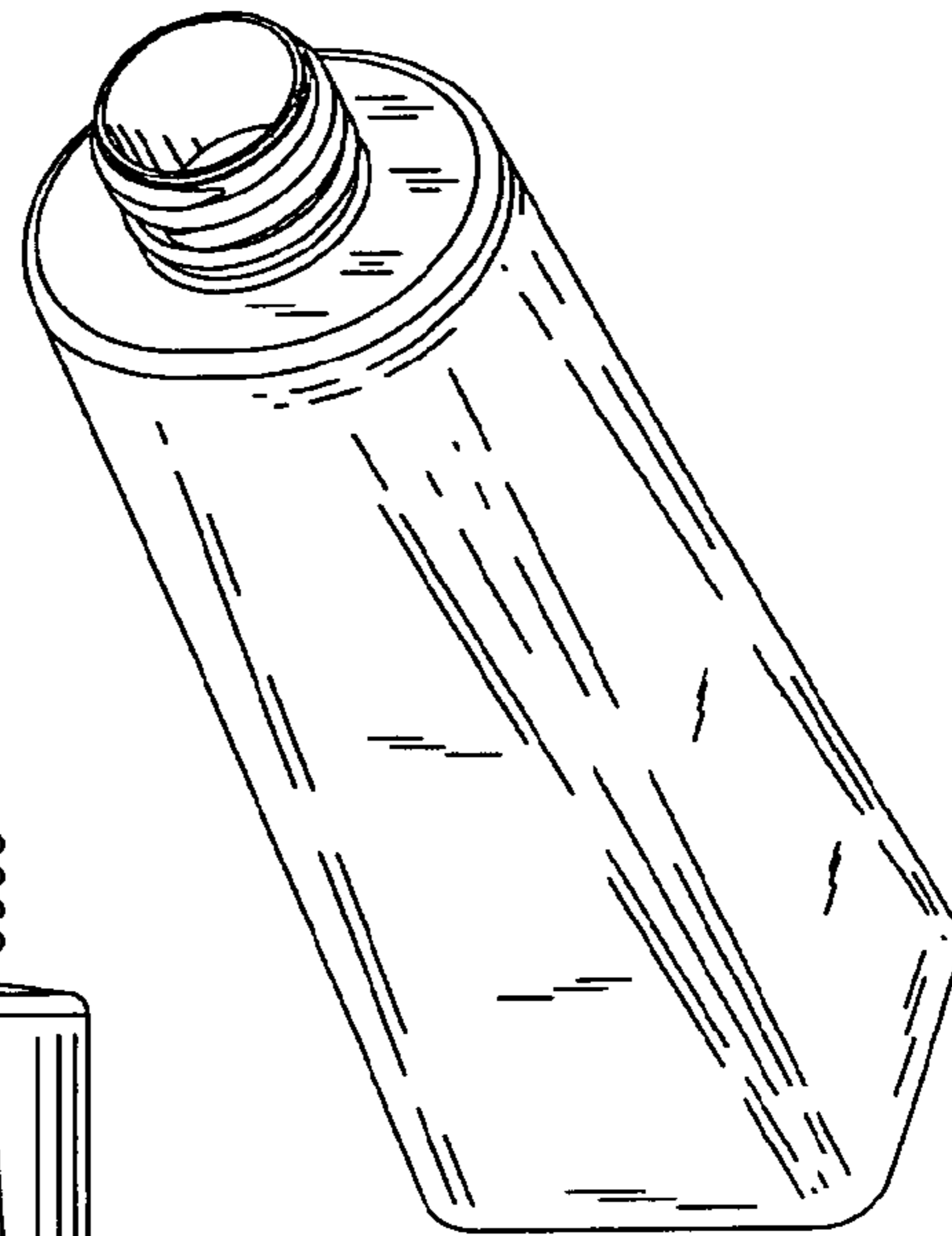


Fig. 1

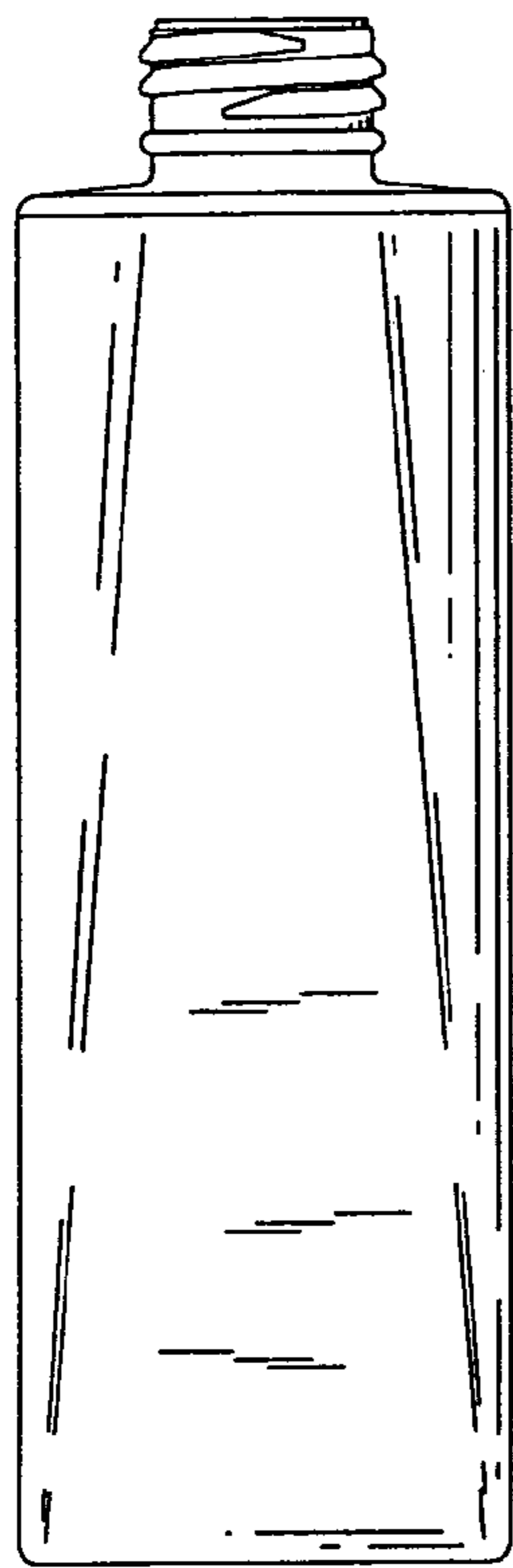


Fig. 2

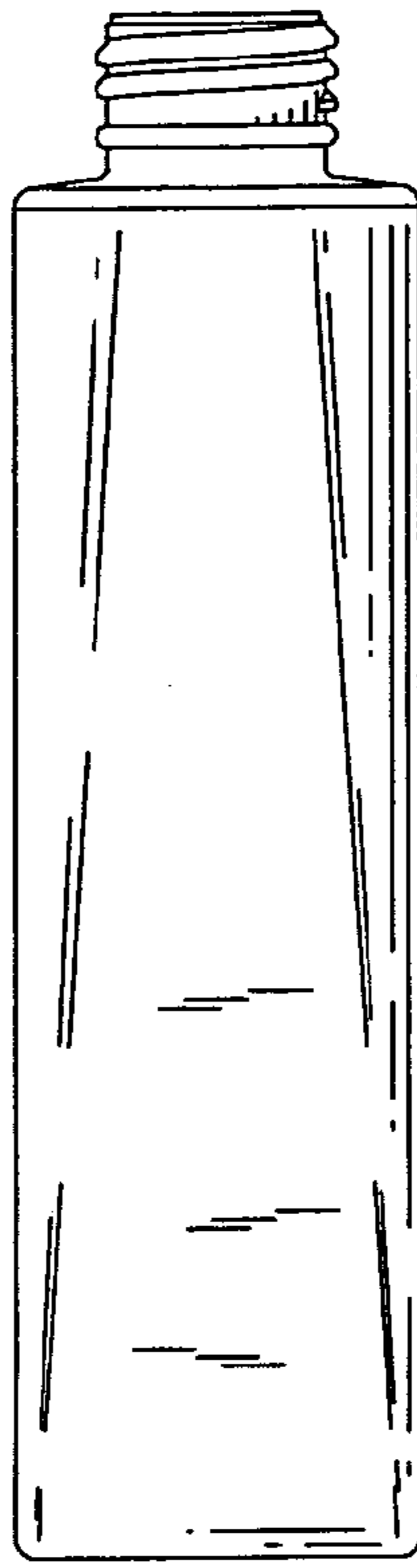


Fig. 3

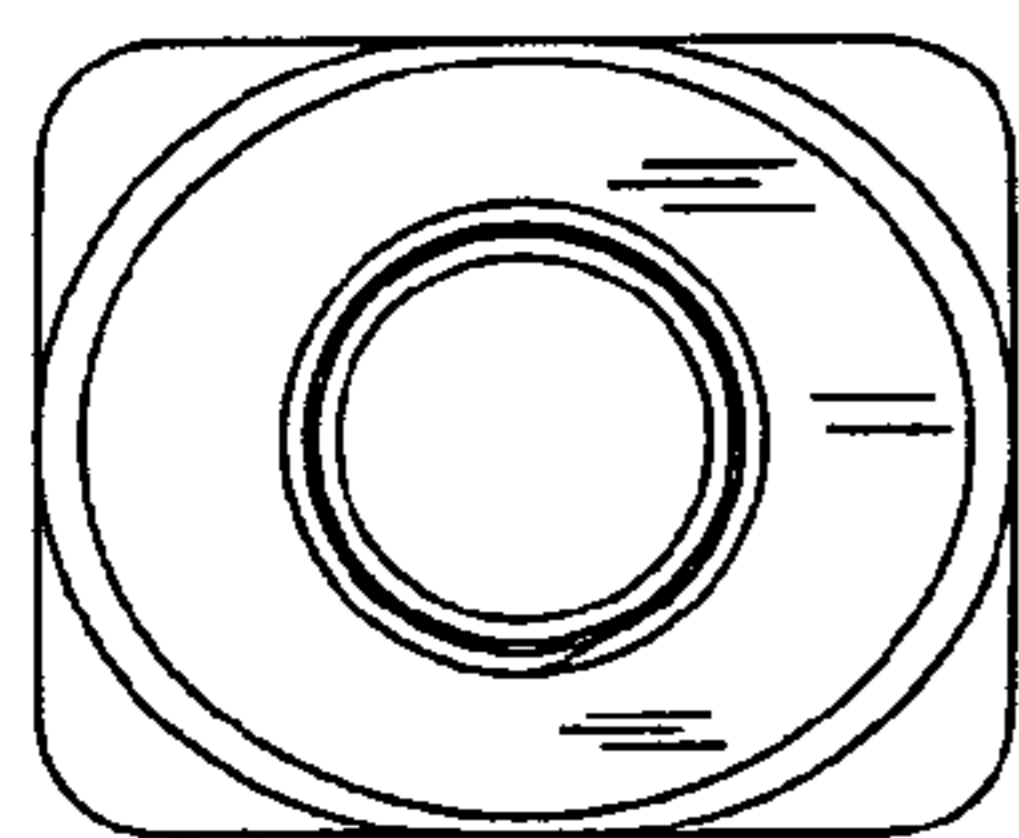


Fig. 4

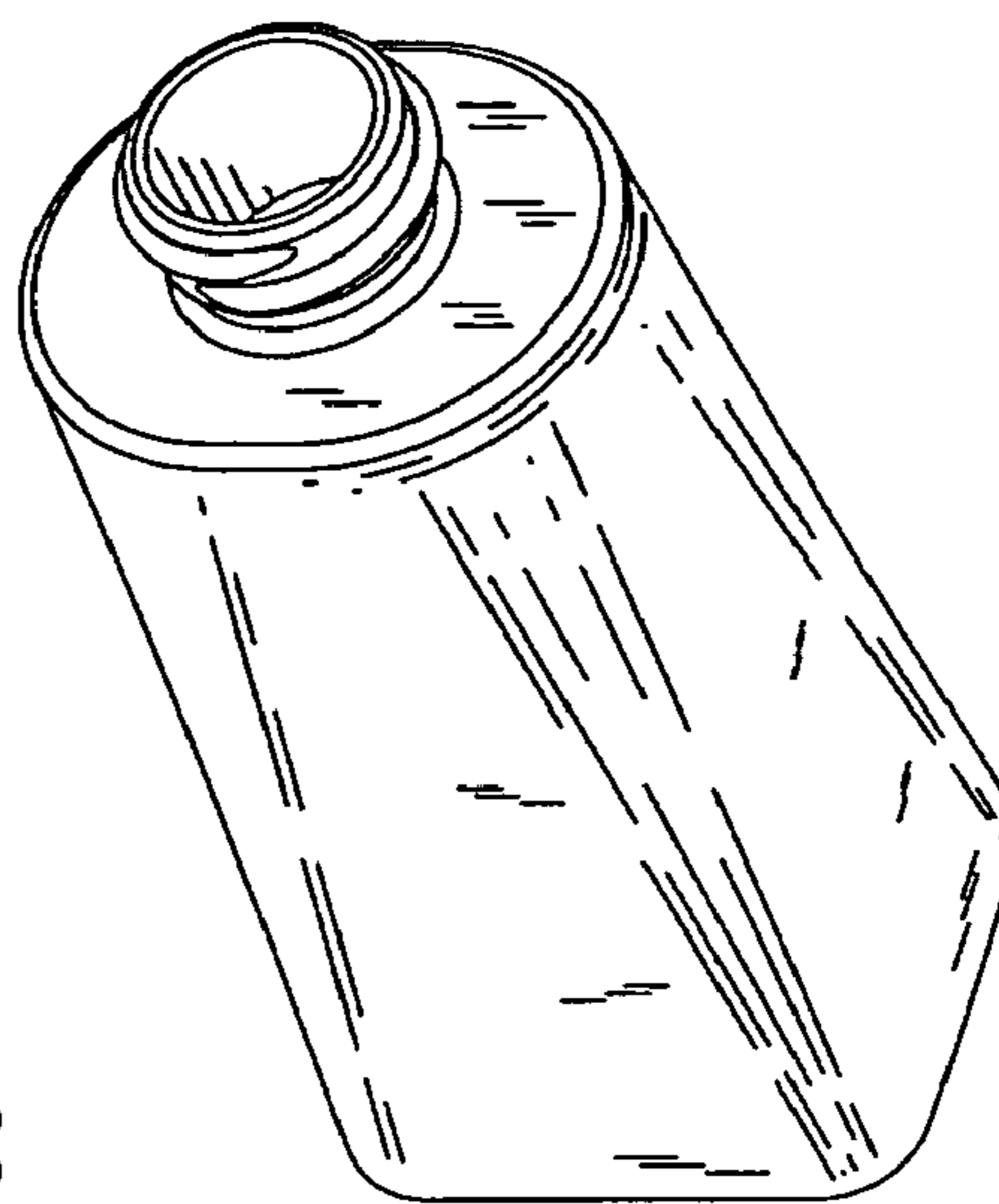


Fig. 5

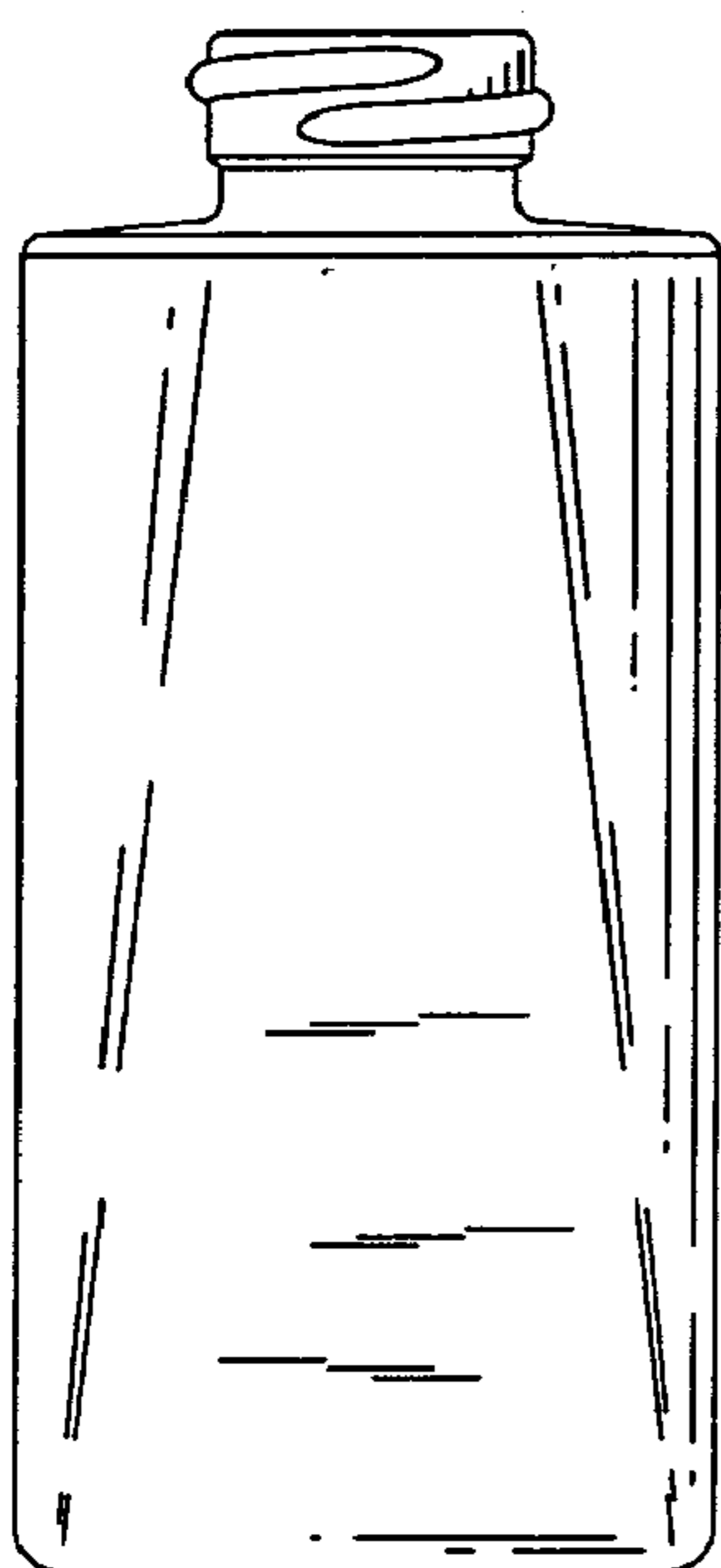


Fig. 6

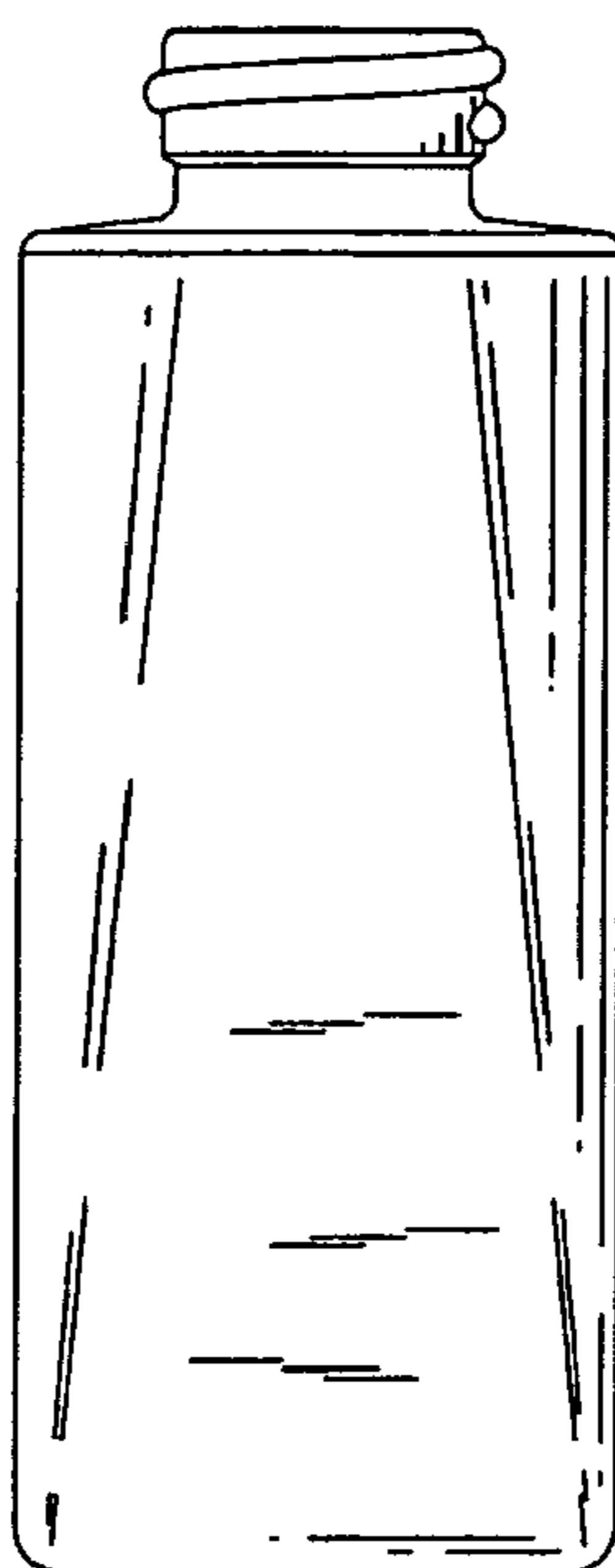


Fig. 7

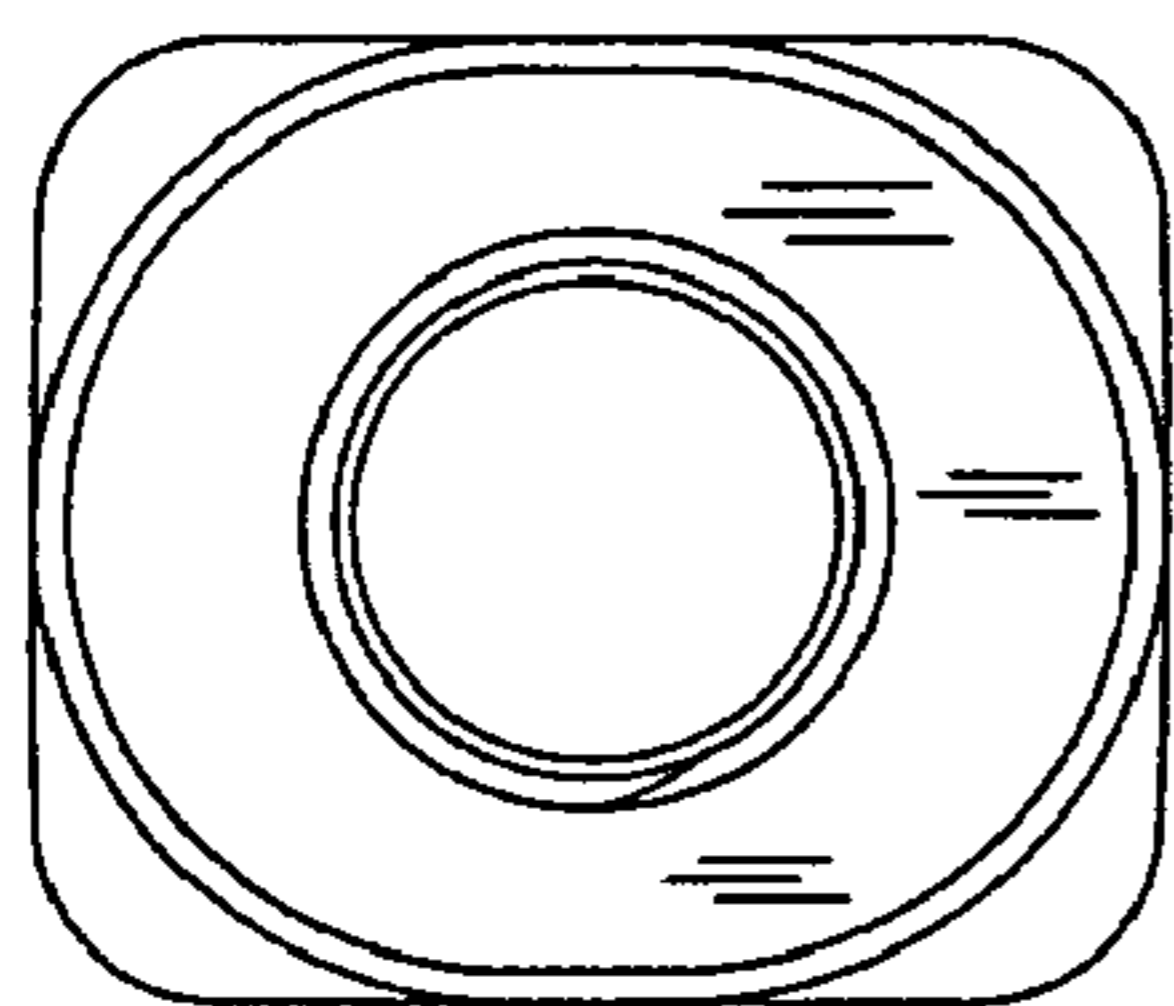


Fig. 8

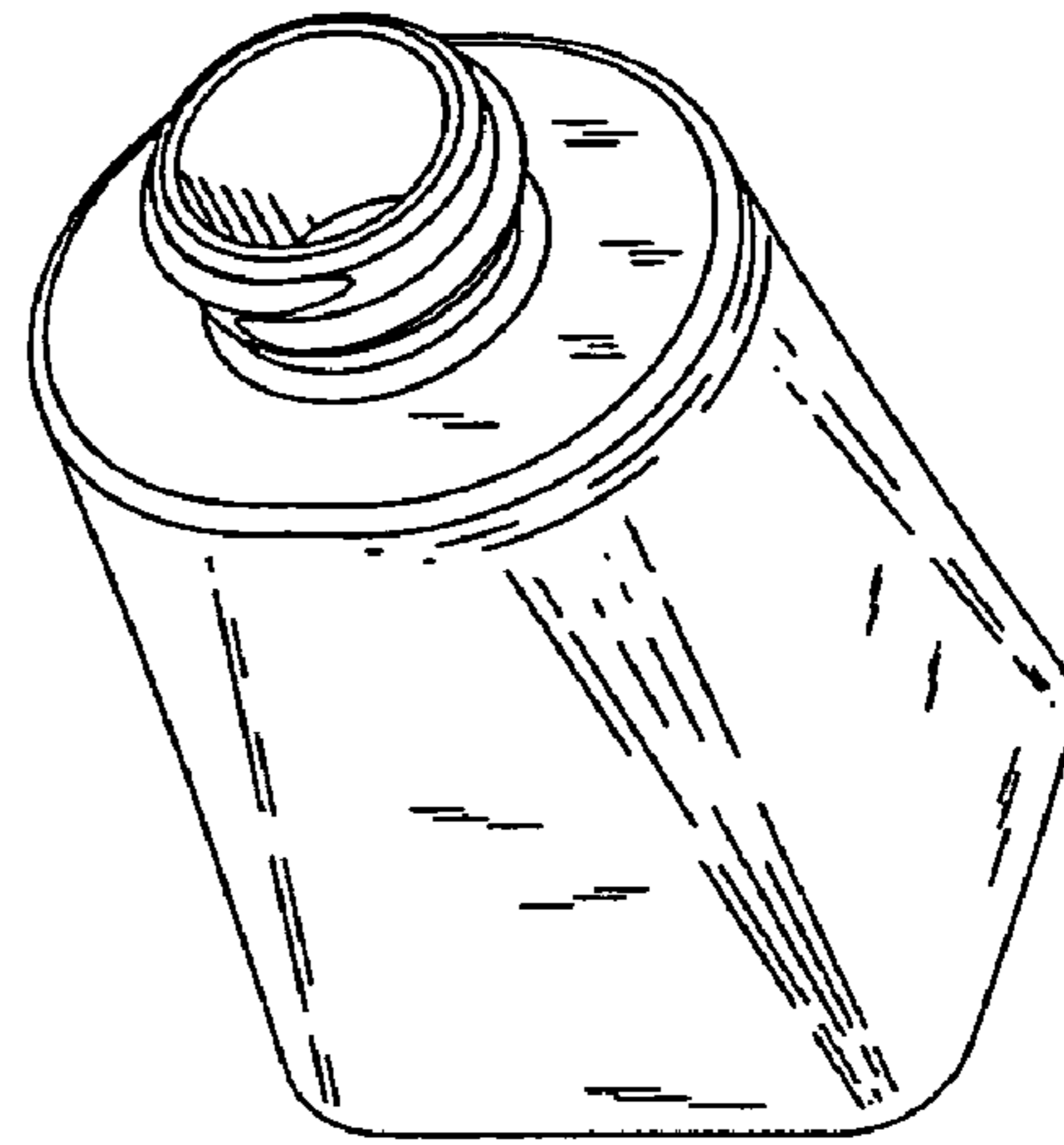


Fig. 9

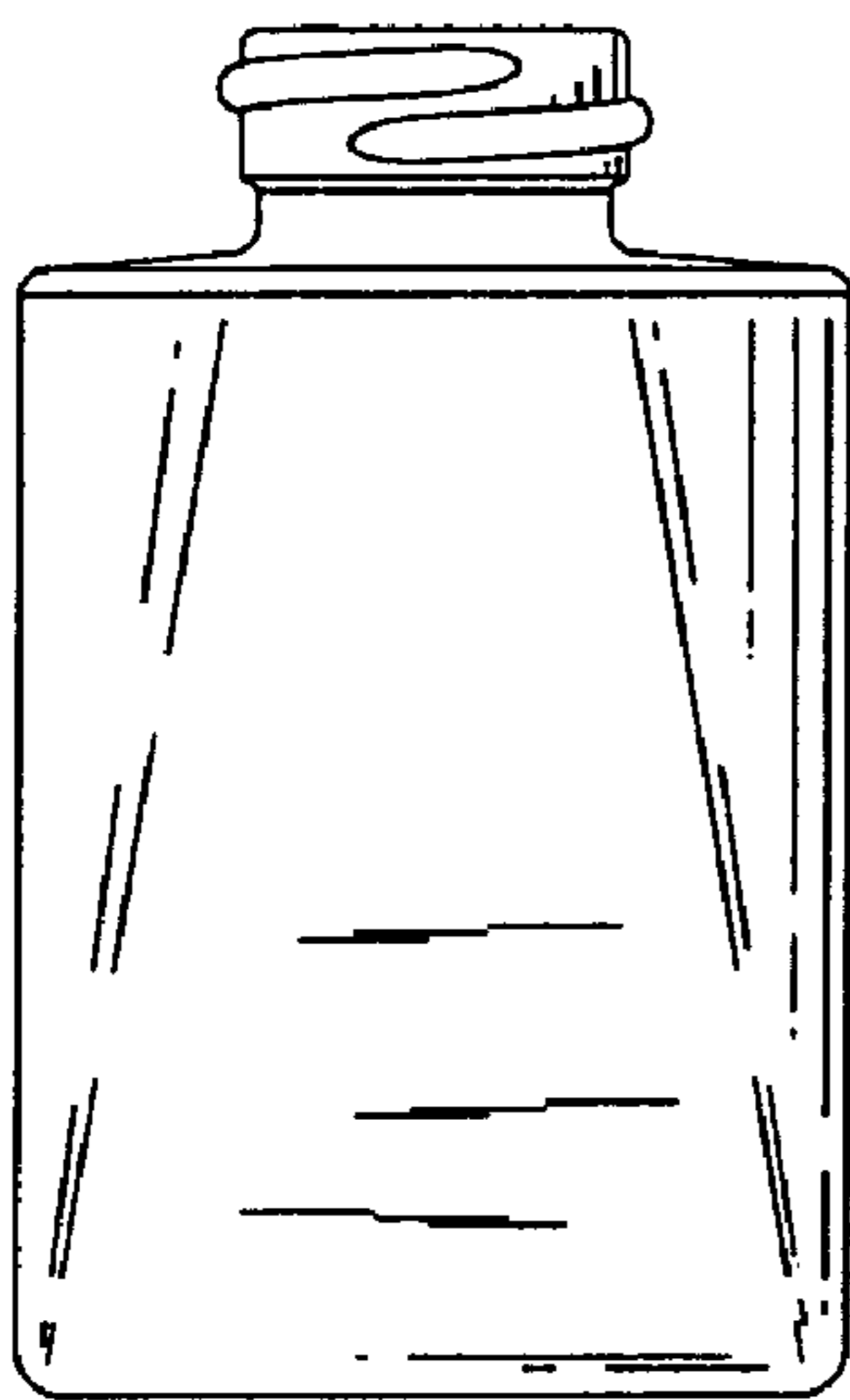


Fig. 10

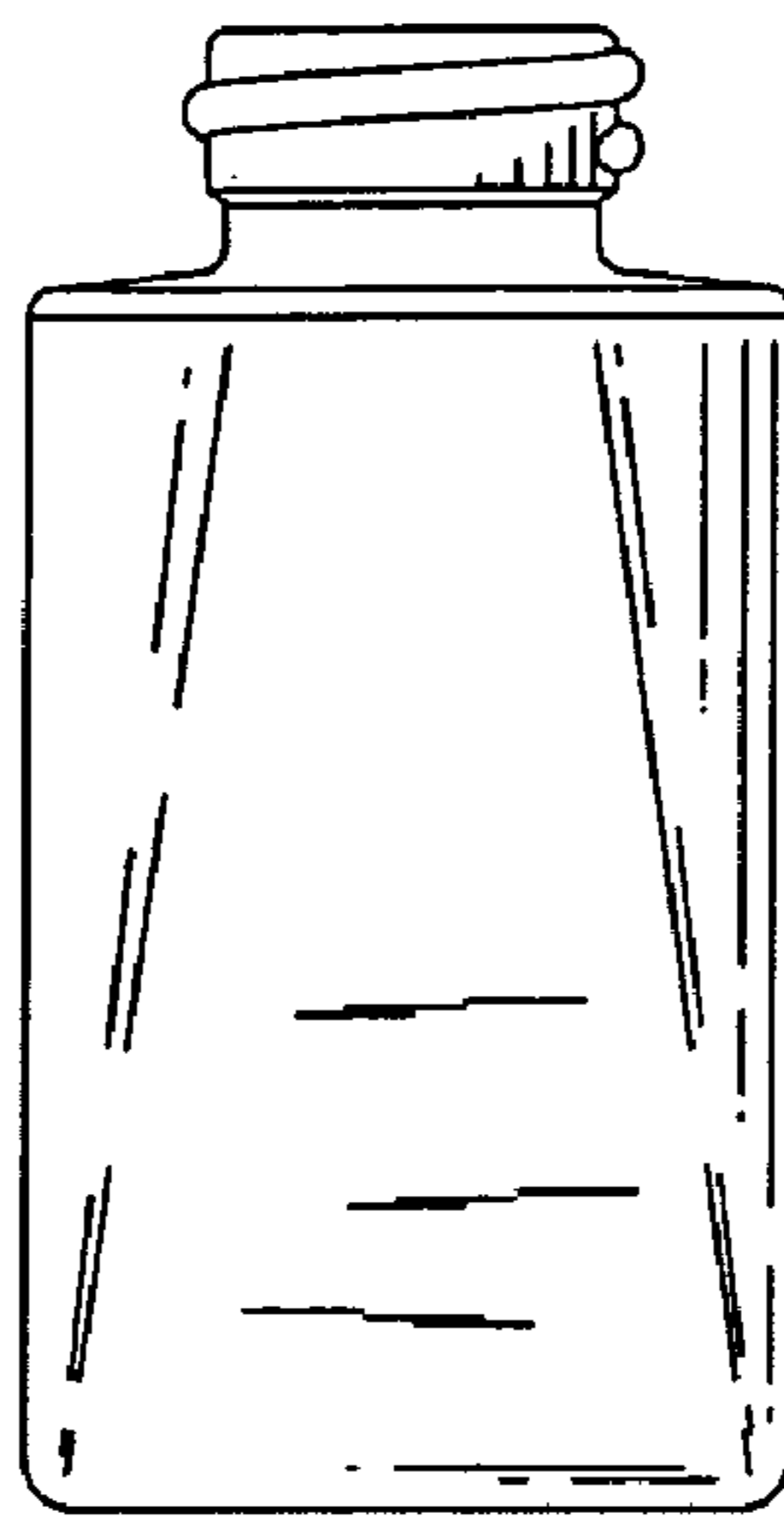


Fig. 11

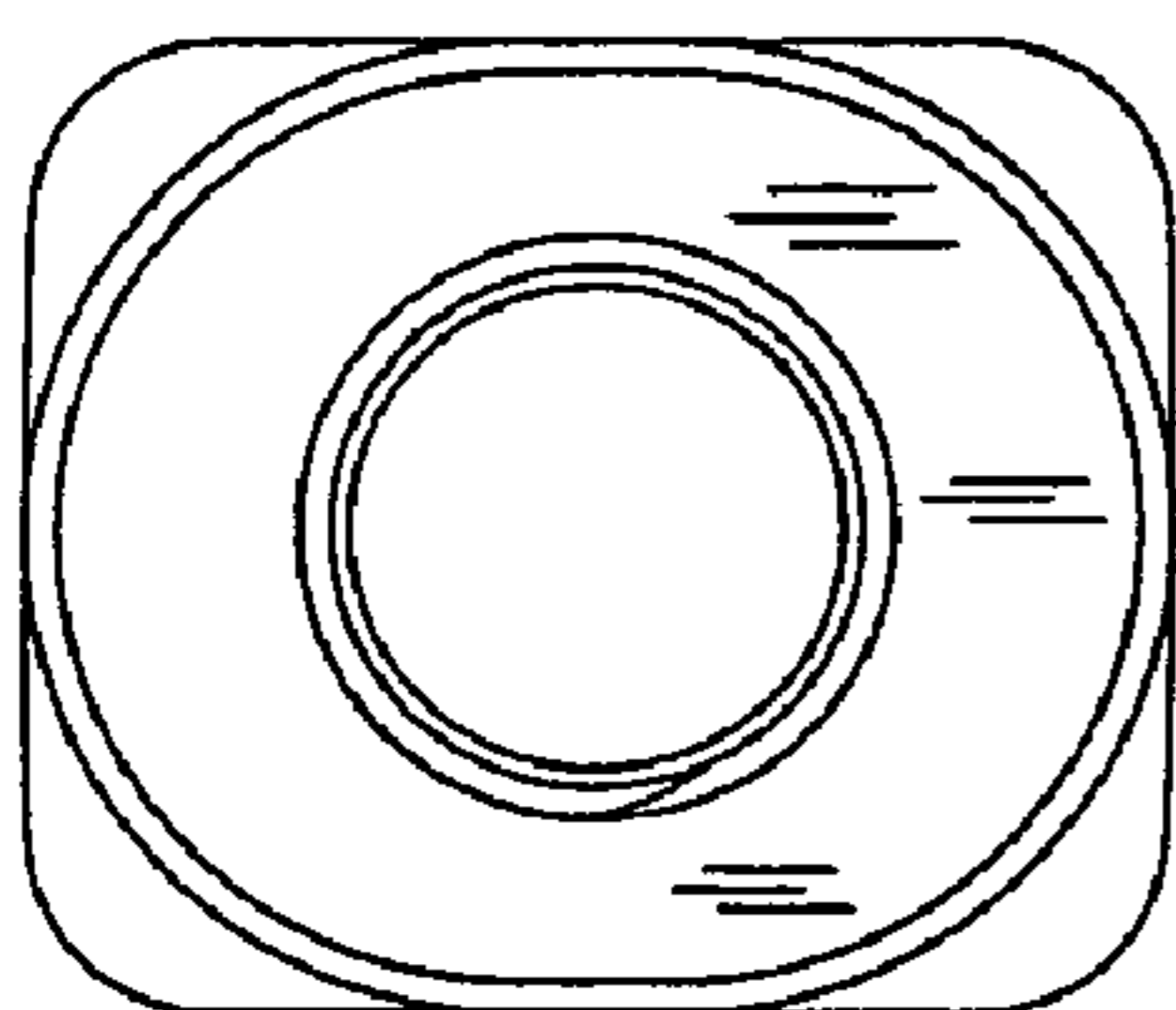


Fig. 12