



US00D573889S

(12) **United States Design Patent**
Short et al.

(10) **Patent No.:** **US D573,889 S**
(45) **Date of Patent:** **** Jul. 29, 2008**

(54) **CONTAINER**

(75) Inventors: **Martin Short**, Jersey City, NJ (US);
Robert Croft, Jersey City, NJ (US)

(73) Assignee: **Purdue Pharma L.P.**, Stamford, CT
(US)

(**) Term: **14 Years**

(21) Appl. No.: **29/281,813**

(22) Filed: **Jul. 2, 2007**

(51) **LOC (8) Cl.** **09-01**

(52) **U.S. Cl.** **D9/529; D9/417; D9/420**

(58) **Field of Classification Search** D9/520,
D9/529, 572-575, 416-417, 420, 422; 215/382,
215/400; 220/669, 675; D3/203.2, 294;
D7/629

See application file for complete search history.

(56) **References Cited**

U.S. PATENT DOCUMENTS

- D218,281 S * 8/1970 Diener D9/572 X
- D252,558 S * 8/1979 Beck D9/418
- D329,381 S * 9/1992 Klapwald D9/529
- 5,482,172 A * 1/1996 Braddock 222/478
- D429,650 S * 8/2000 LePage D9/572
- D434,671 S * 12/2000 LePage D9/572
- D438,066 S * 2/2001 Beach et al. D7/629
- 6,257,452 B1 * 7/2001 Allen 222/153.06
- D466,012 S * 11/2002 Baker D9/420
- D472,772 S * 4/2003 Noble et al. D7/629
- D485,184 S * 1/2004 Hay et al. D9/529 X
- 6,763,945 B2 7/2004 Baker et al.
- 6,789,677 B2 9/2004 Maietta
- D509,732 S * 9/2005 Staples D9/423
- D513,978 S * 1/2006 Isono et al. D9/424
- 7,093,736 B2 8/2006 Maietta et al.
- D537,338 S * 2/2007 Jackson D9/416
- D540,161 S * 4/2007 Terrasi D9/417
- D540,162 S * 4/2007 Chin et al. D9/417
- D545,186 S * 6/2007 Liebe et al. D9/420
- D549,573 S * 8/2007 Liebe et al. D9/420

- D557,134 S * 12/2007 Wolpert et al. D9/529 X
- D563,234 S * 3/2008 Moreno D9/572
- 2005/0029153 A1 * 2/2005 Devine 206/525

* cited by examiner

Primary Examiner—Carol Rademaker

(74) *Attorney, Agent, or Firm*—Sterne, Kessler, Goldstein & Fox P.L.L.C.

(57) **CLAIM**

The ornamental design for a container, as shown and described.

DESCRIPTION

FIG. 1 is a top, front, and right side perspective view of a first embodiment of a container showing a new design;

FIG. 2 is a right side elevational view thereof;

FIG. 3 is a left side elevational view thereof;

FIG. 4 is a front elevational view thereof;

FIG. 5 is a rear elevational view thereof;

FIG. 6 is a top plan view thereof;

FIG. 7 is a bottom plan view thereof;

FIG. 8 is a right side elevational view of the container of FIG. 1 shown in an opened condition;

FIG. 9 is a top, front, and right side perspective view of a first embodiment of a container showing a new design;

FIG. 10 is a right side elevational view thereof;

FIG. 11 is a left side elevational view thereof;

FIG. 12 is a front elevational view thereof;

FIG. 13 is a rear elevational view thereof;

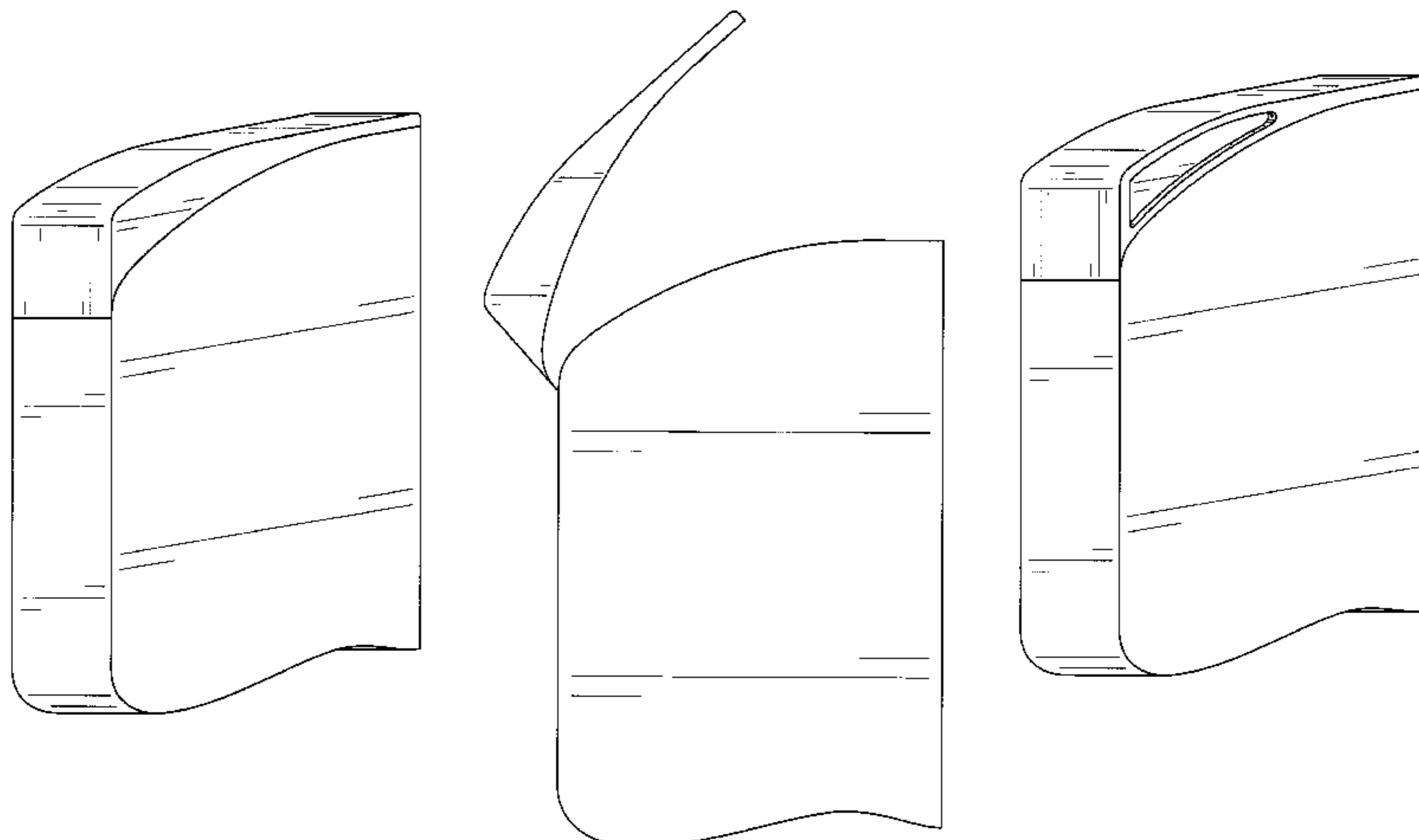
FIG. 14 is a top plan view thereof;

FIG. 15 is a bottom plan view thereof; and,

FIG. 16 is a right side elevational view of the container of FIG. 9 shown in an opened condition.

Please note that contrast and texture form no part of the claimed design. The inventors anticipate that the invention can be any part, portion, element, or combination of elements of the depicted container.

1 Claim, 12 Drawing Sheets



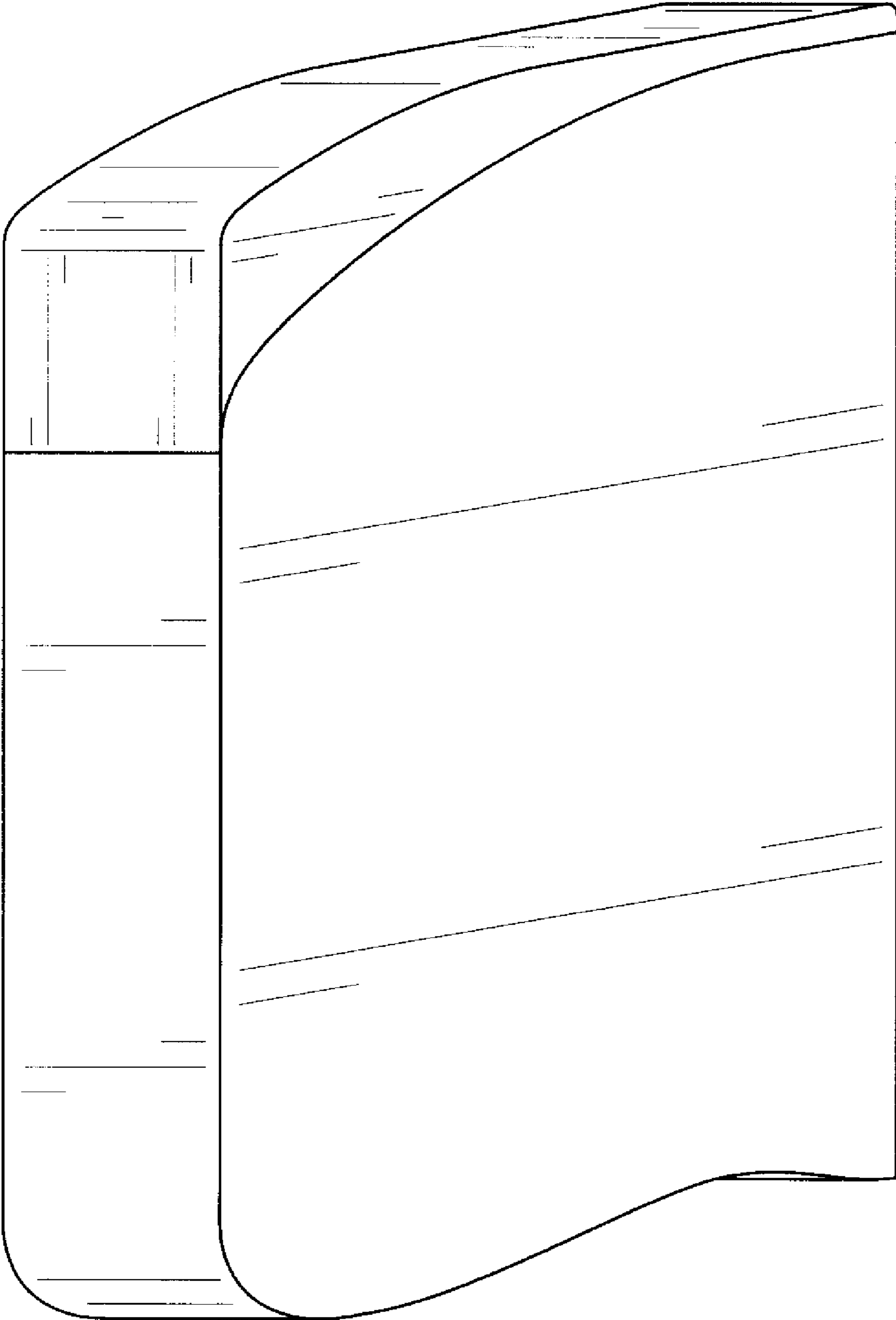


FIG. 1

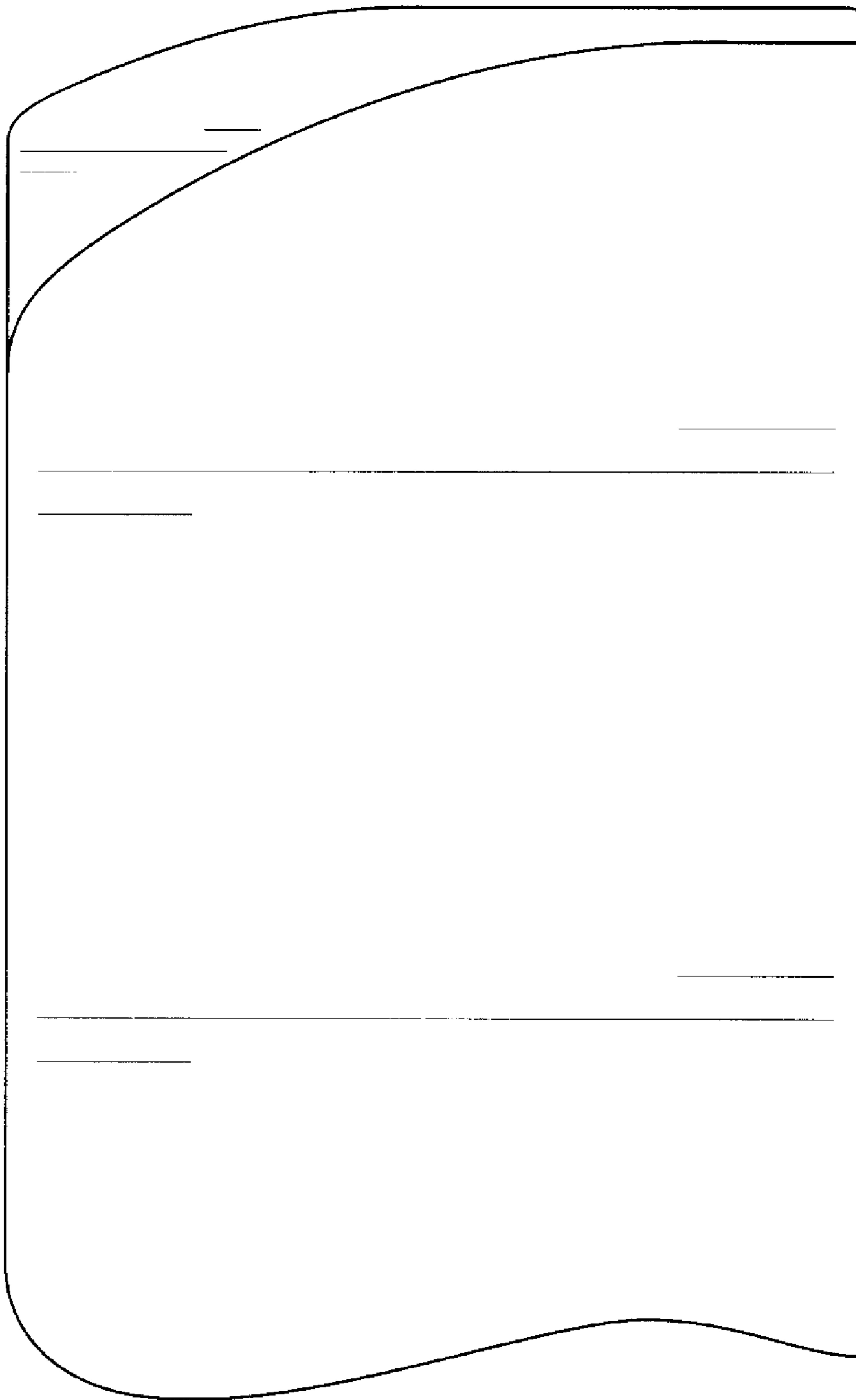


FIG. 2

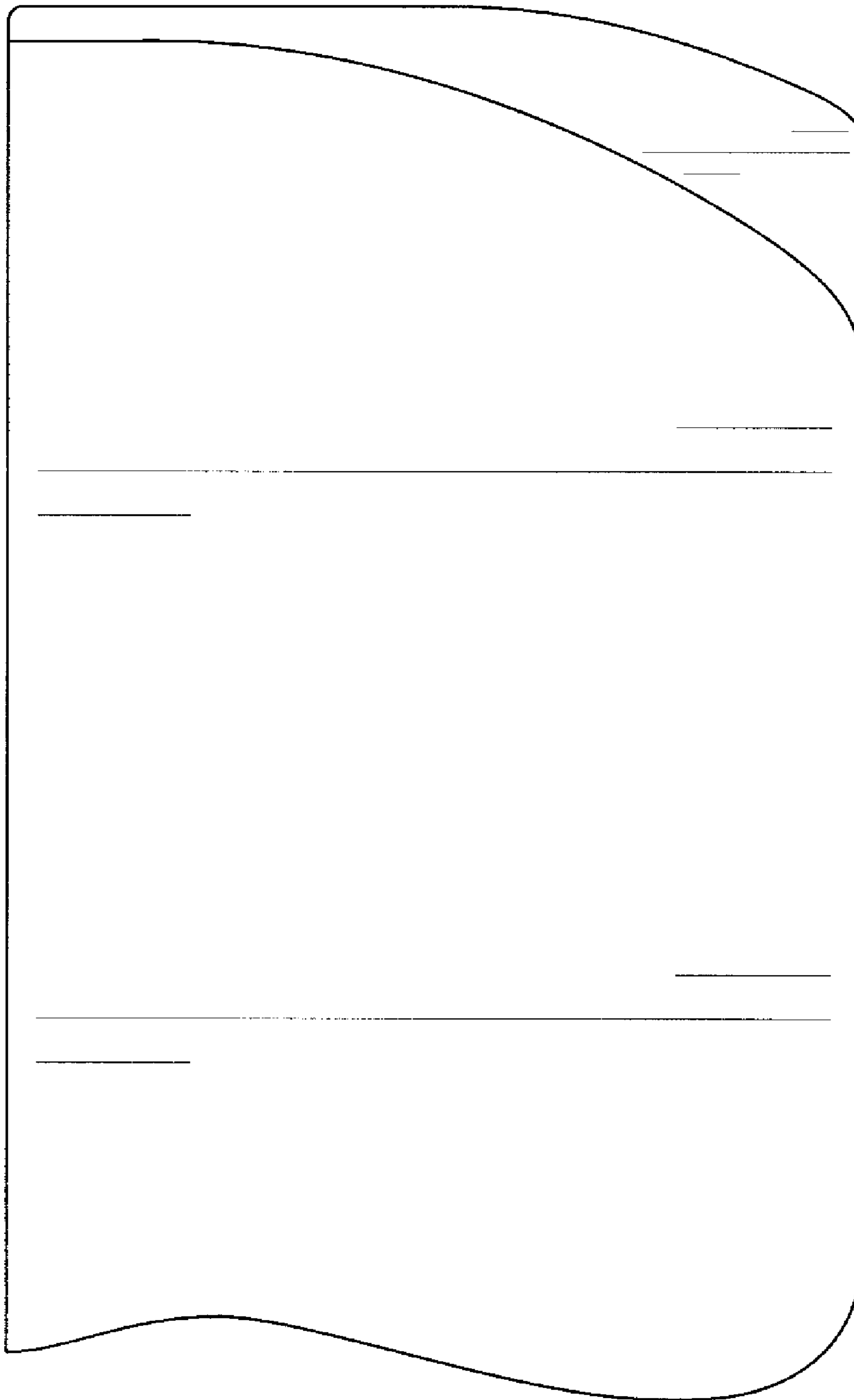


FIG. 3

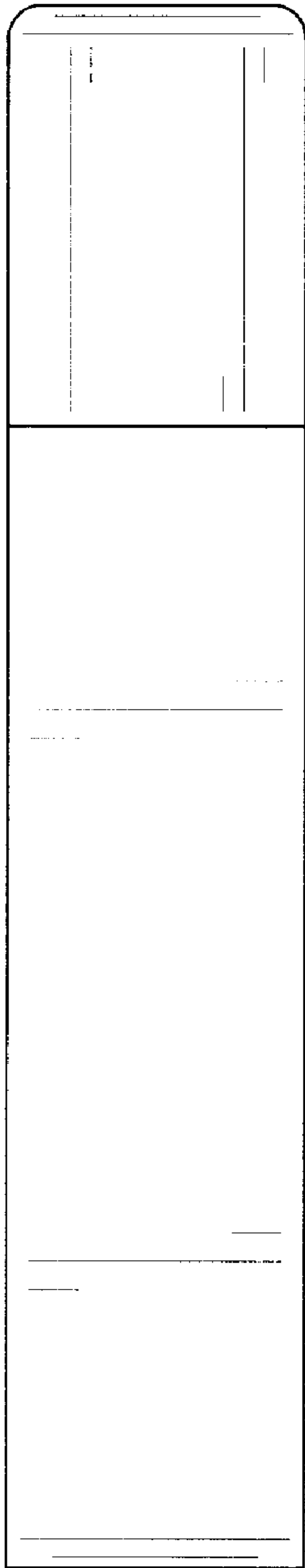


FIG. 4

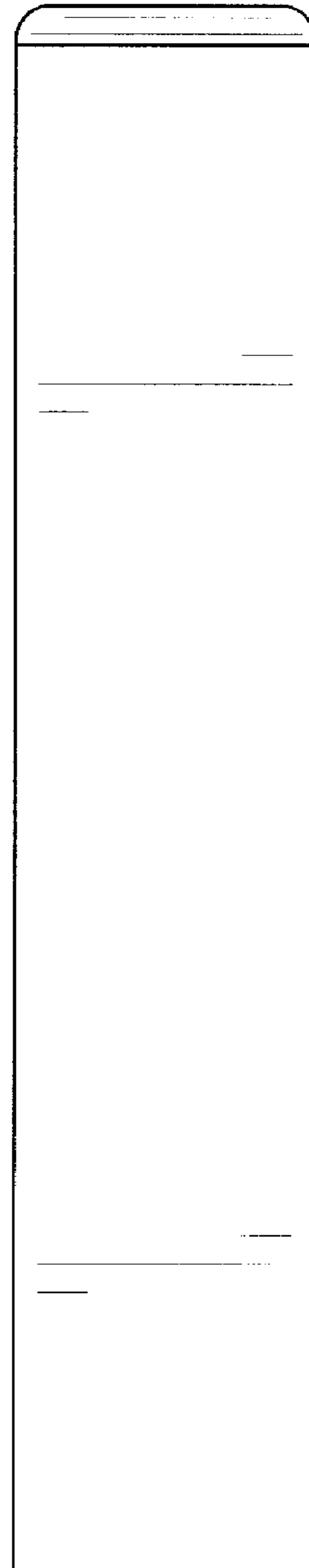


FIG. 5

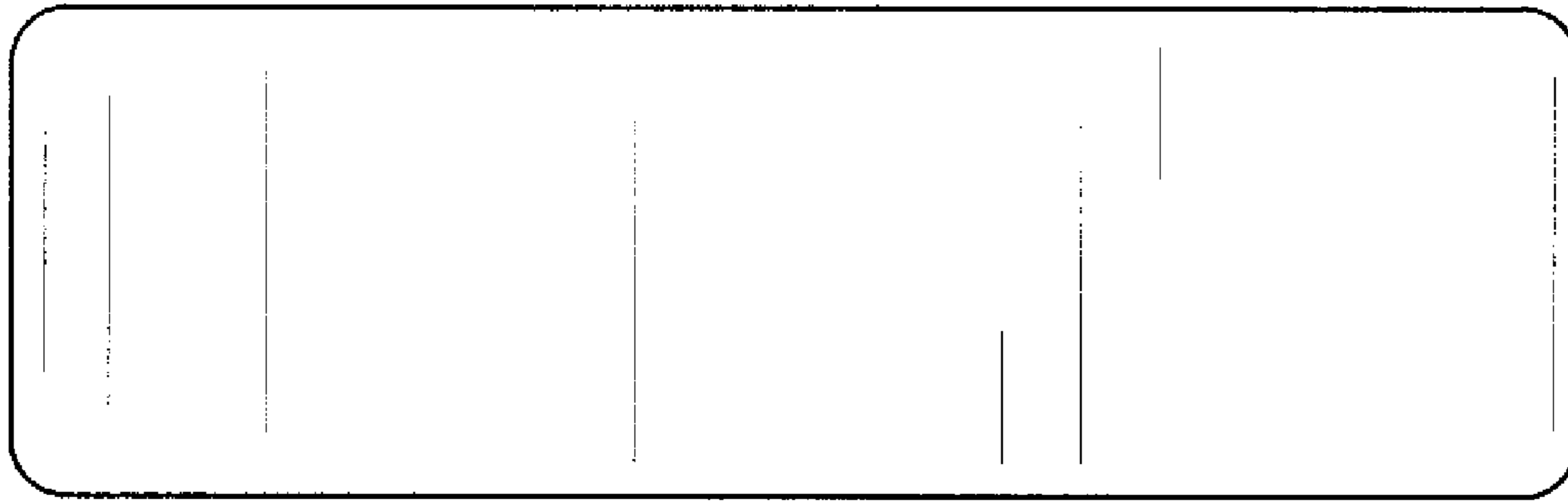


FIG. 6

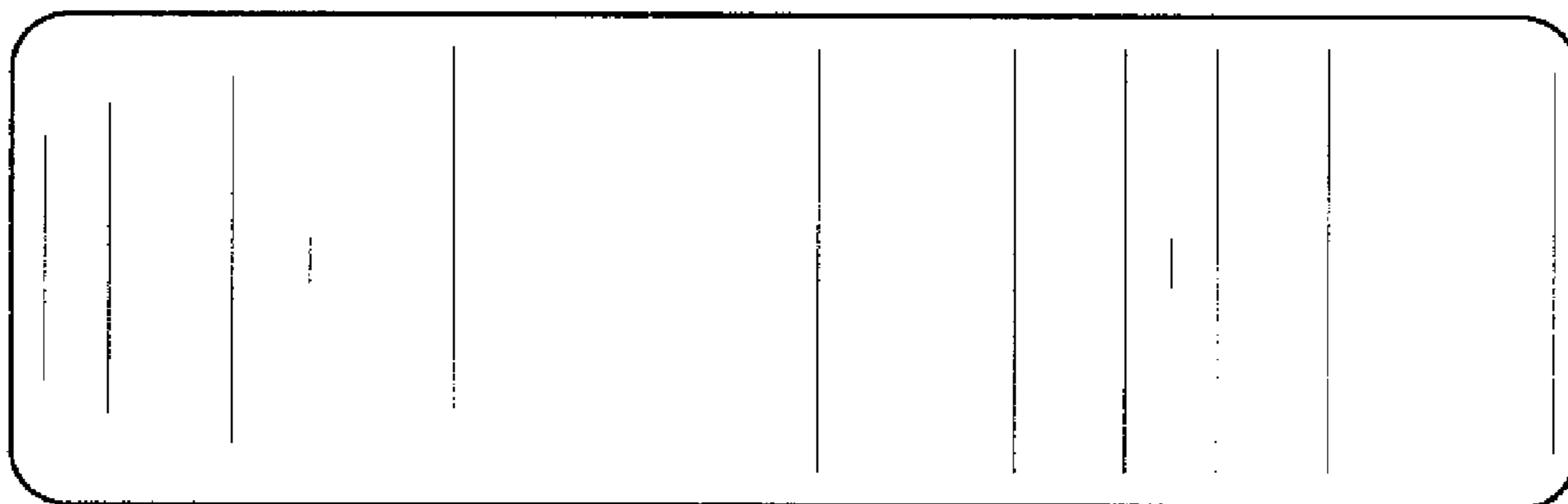


FIG. 7

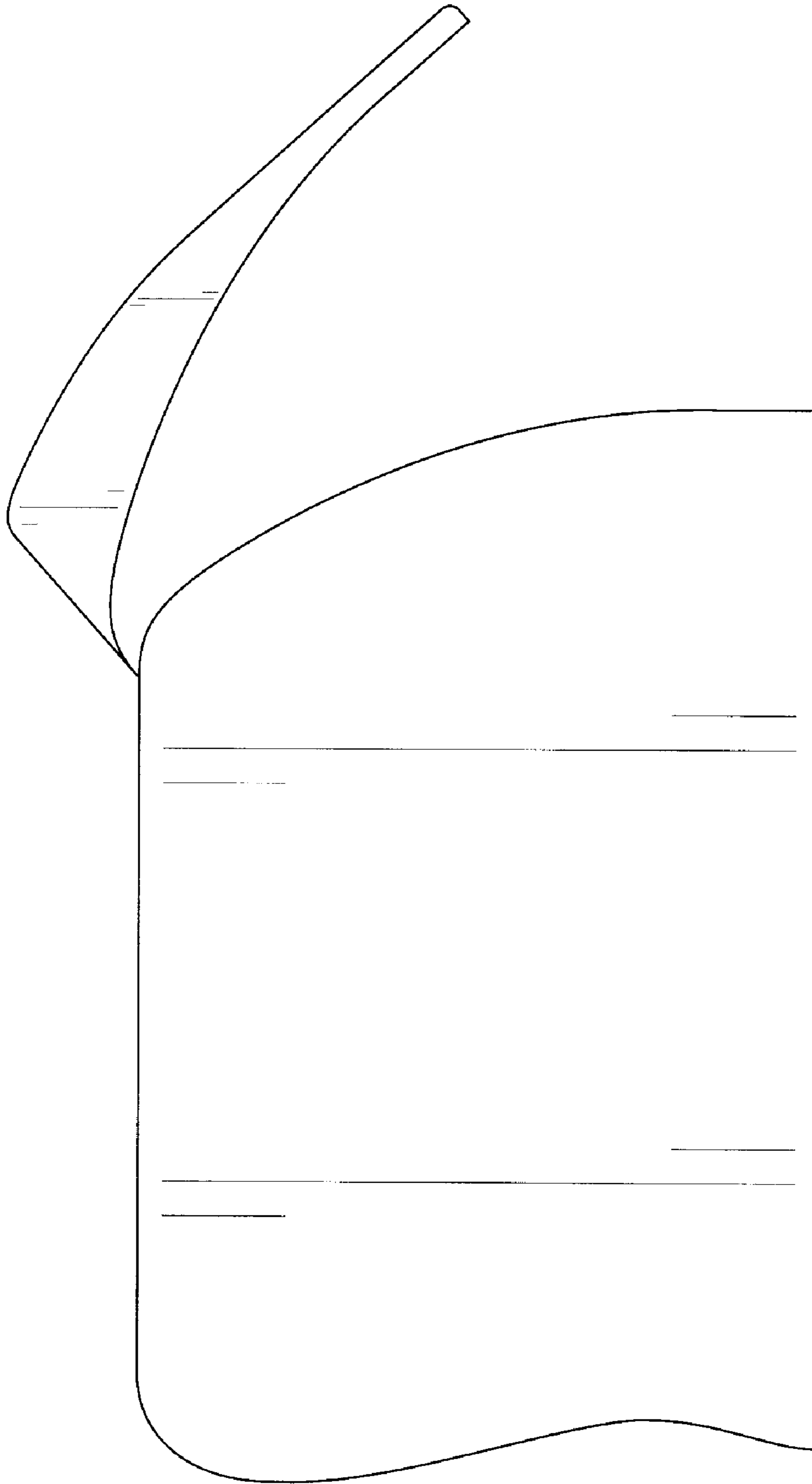


FIG. 8

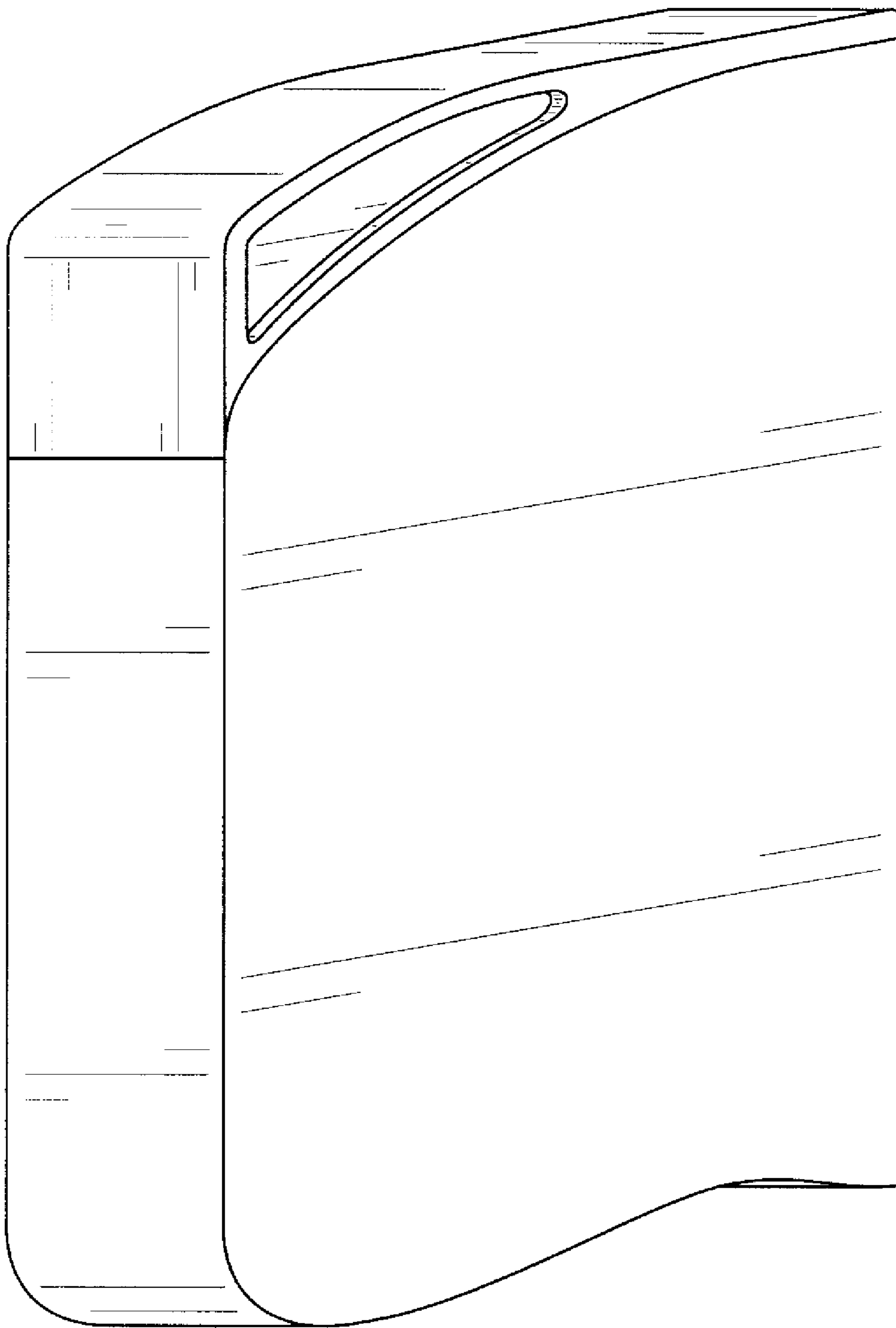


FIG. 9

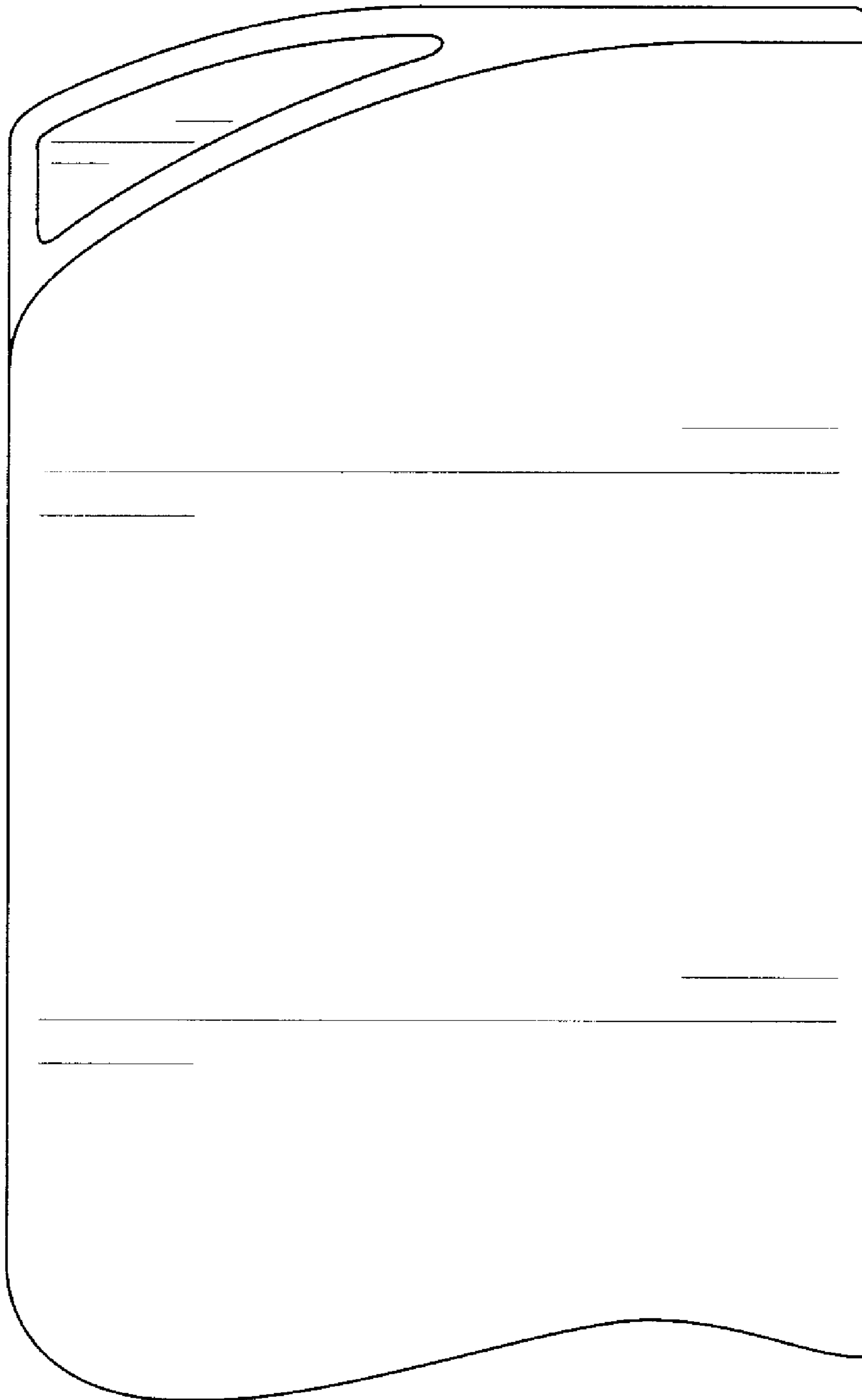


FIG. 10

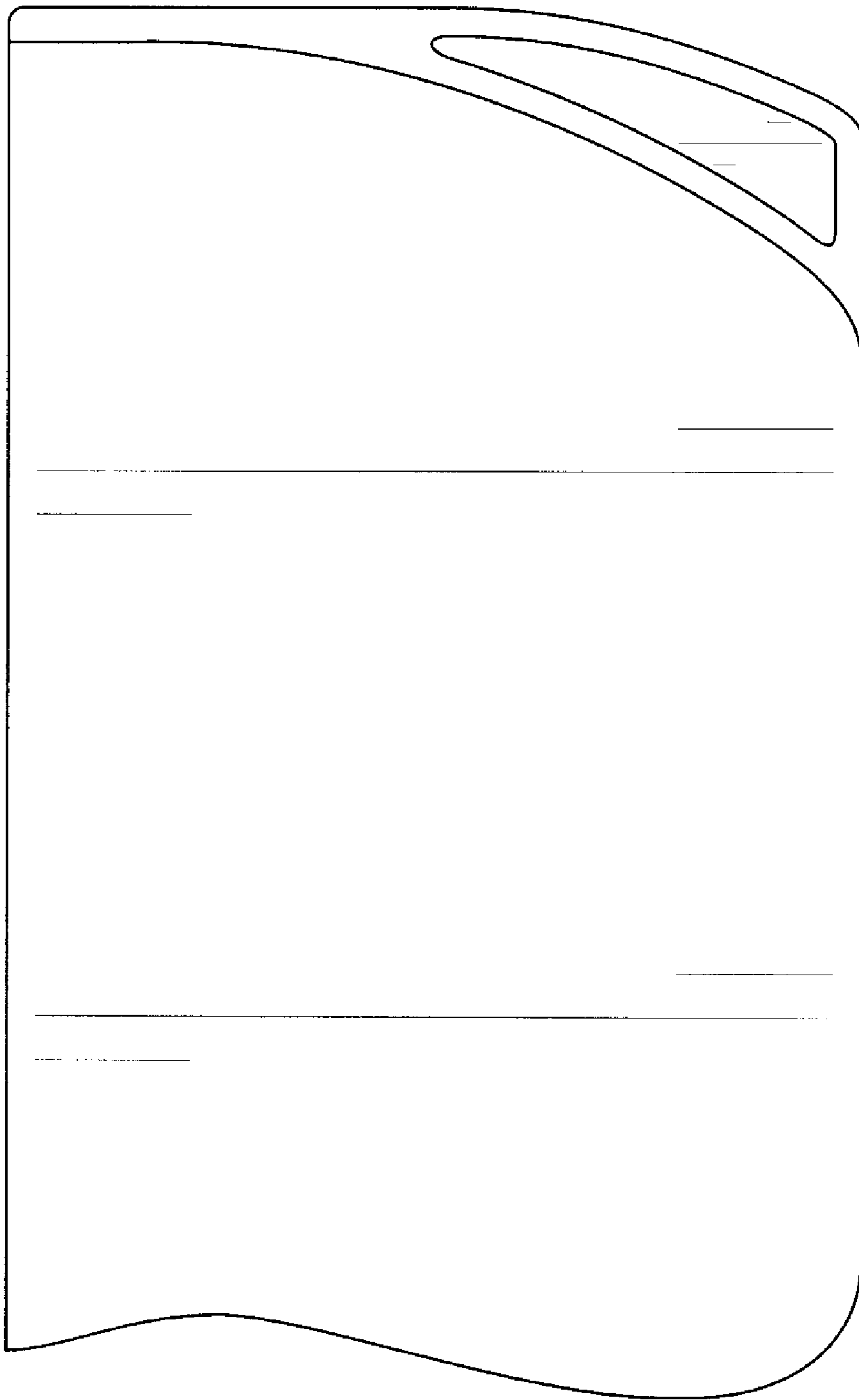


FIG. 11

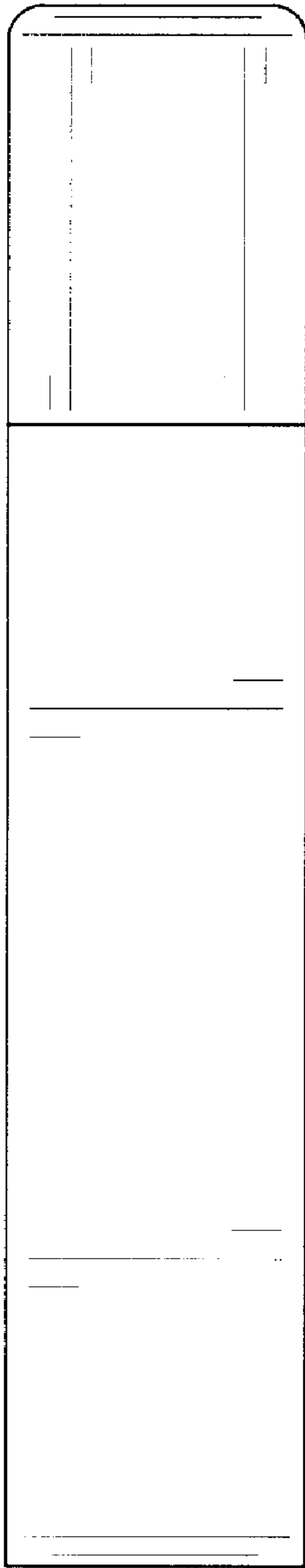


FIG. 12

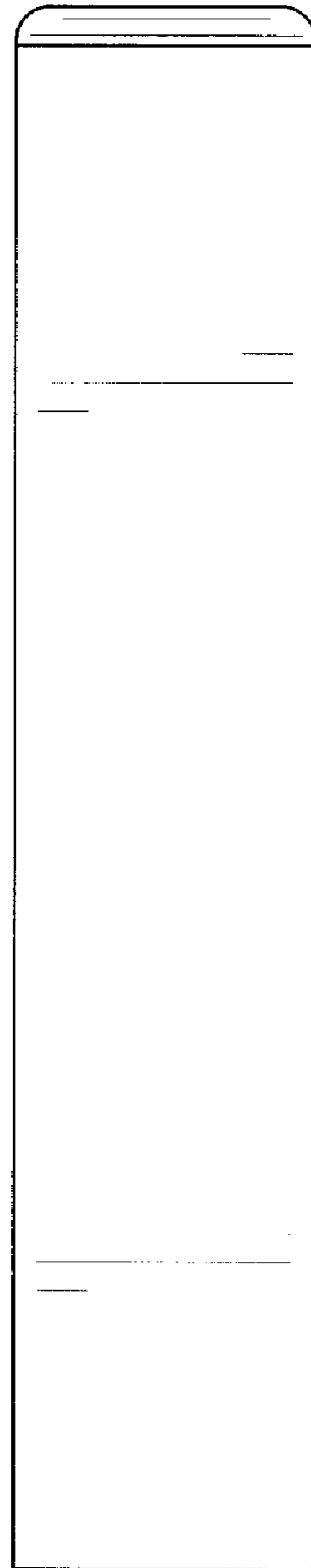


FIG. 13

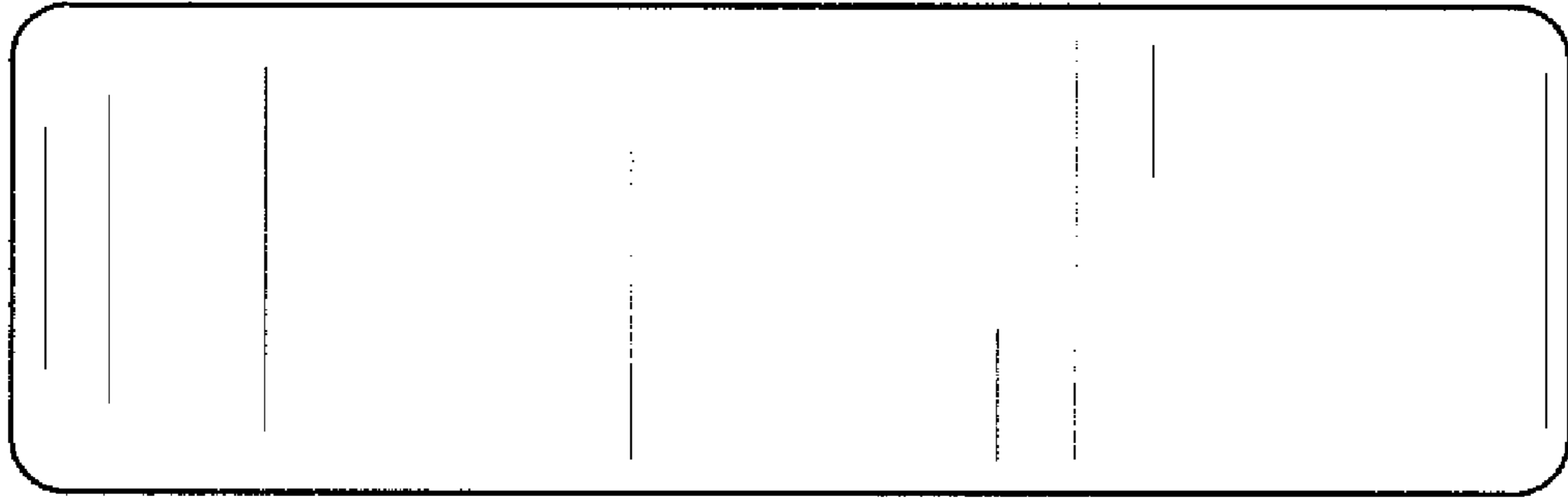


FIG. 14

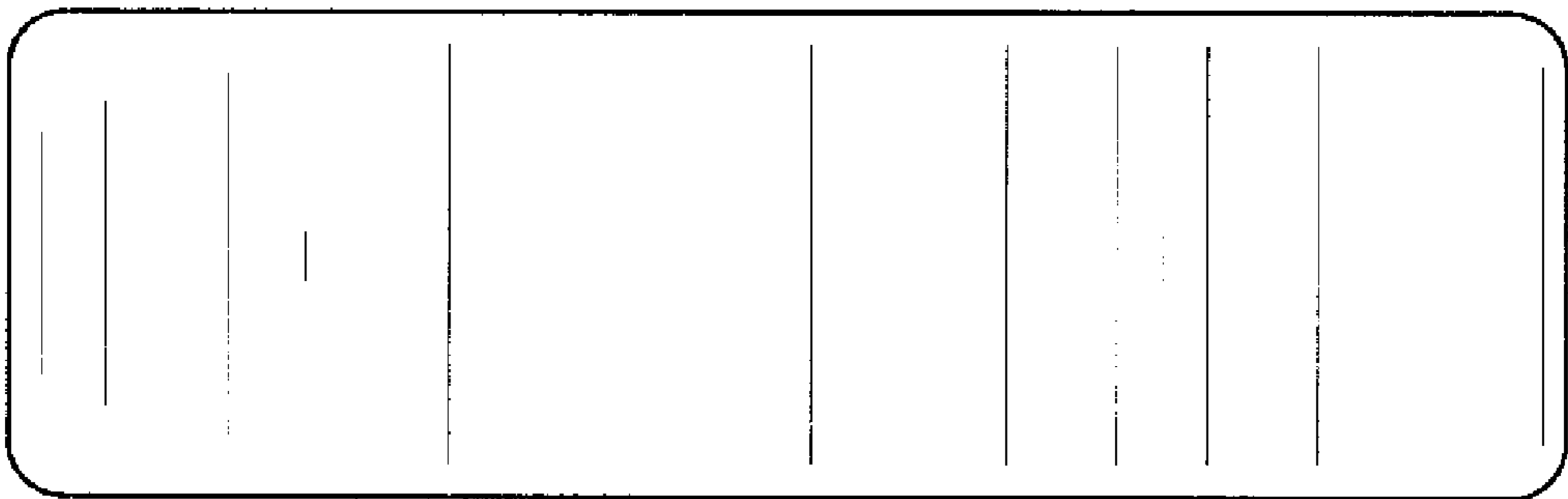


FIG. 15

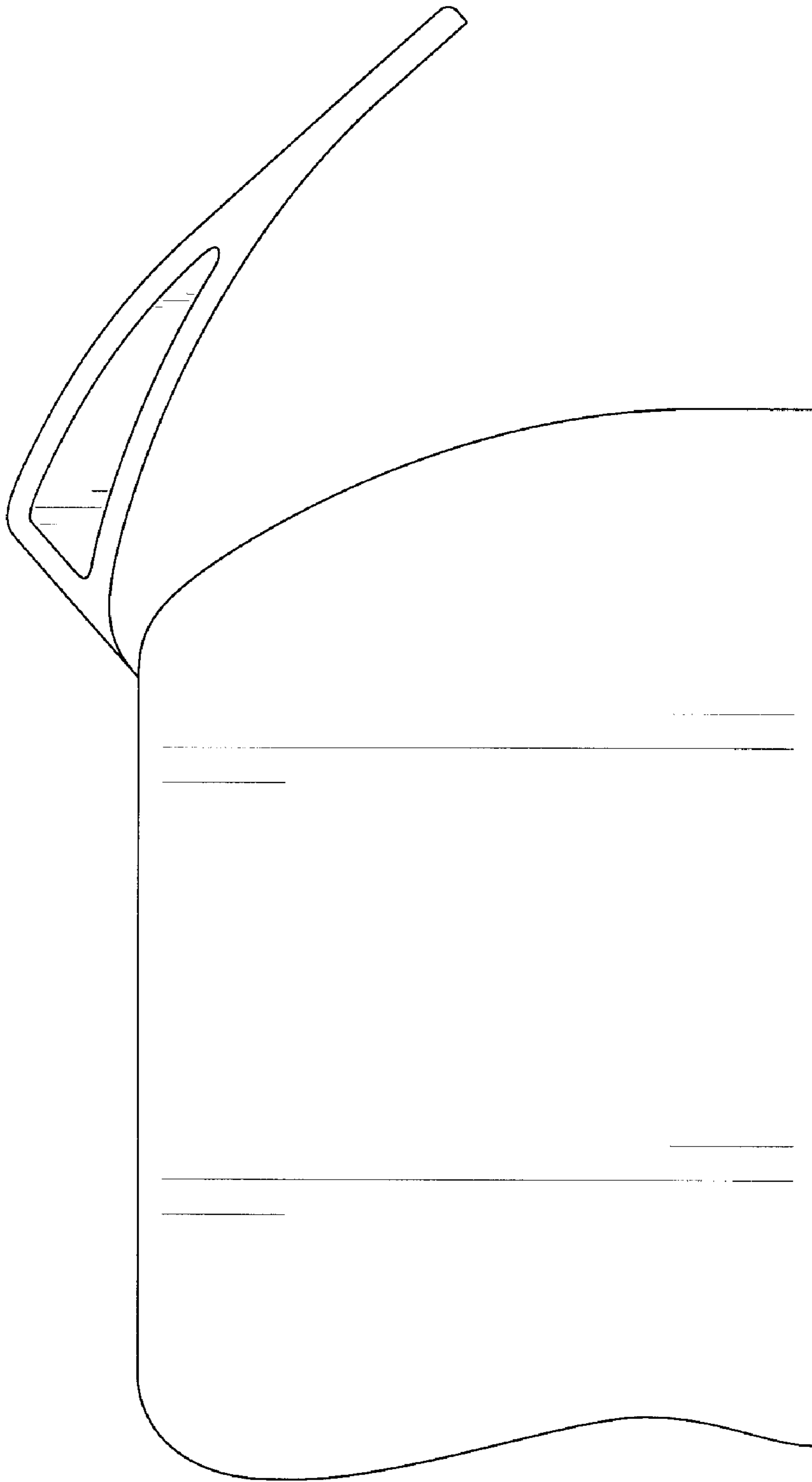


FIG. 16