



US00D573881S

(12) **United States Design Patent**  
**Decker et al.**

(10) **Patent No.:** **US D573,881 S**  
(45) **Date of Patent:** **\*\* Jul. 29, 2008**

(54) **CONTAINER LID**

(75) Inventors: **Kip K. Decker**, Neenah, WI (US); **Todd R. Lappi**, Atlanta, GA (US); **Alan P. Paal**, New Franken, WI (US); **Matthew T. Wilcox**, De Pere, WI (US)

(73) Assignee: **Georgia-Pacific Consumer Products LP**, Atlanta, GA (US)

(\*\*) Term: **14 Years**

(21) Appl. No.: **29/284,750**

(22) Filed: **Sep. 14, 2007**

(51) **LOC (8) Cl.** ..... **09-07**

(52) **U.S. Cl.** ..... **D9/452; D9/454; D9/435**

(58) **Field of Classification Search** ..... D9/454,  
D9/453, 452, 448, 445, 444, 436, 435, 425;  
D7/629, 587, 392.1, 391; D3/318; 220/802,  
220/784, 781, 780, 737; 215/317, 316, 270,  
215/261; D24/196

See application file for complete search history.

(56) **References Cited**

**U.S. PATENT DOCUMENTS**

D111,097	S	*	8/1938	White	.....	D9/453
3,583,596	A	*	6/1971	Brewer	.....	220/781
D221,420	S	*	8/1971	Swampscott	.....	D9/453
D222,905	S	*	2/1972	Kinney	.....	D9/439
D233,599	S	*	11/1974	Swampscott	.....	D9/453
D256,558	S	*	8/1980	Smith	.....	D9/454
D258,576	S	*	3/1981	Smith	.....	D9/452
4,421,244	A	*	12/1983	Van Melle	.....	220/781
D286,026	S	*	10/1986	Rayner	.....	D9/435
D309,564	S	*	7/1990	Rayner	.....	D9/435
D380,385	S	*	7/1997	Litke	.....	D9/452

D381,267	S	*	7/1997	Rush et al.	.....	D9/452
D452,155	S	*	12/2001	Stodd	.....	D9/454
D502,050	S	*	2/2005	Munson et al.	.....	D7/392.1
D504,794	S		5/2005	Sellars		
D517,322	S	*	3/2006	Zettle et al.	.....	D9/452
D521,382	S	*	5/2006	Gross et al.	.....	D9/452
D522,780	S		6/2006	Sellars		
D527,261	S	*	8/2006	Hornke	.....	D9/454
D529,400	S		10/2006	Sellars		
D560,120	S	*	1/2008	Maravich et al.	.....	D9/454
D564,354	S	*	3/2008	Maravich et al.	.....	D9/452
2005/0046314	A1		3/2005	Sellars et al.		

\* cited by examiner

*Primary Examiner*—Gary D. Watson

*Assistant Examiner*—Susan Bennett Hattan

(74) *Attorney, Agent, or Firm*—Joel T. Charlton

(57) **CLAIM**

The ornamental design for a container lid, as shown and described.

**DESCRIPTION**

FIG. 1 is a front top perspective view of the container lid including broken lines, which are used in the present drawing and throughout the drawings to represent environment and which form no part of the claimed design;

FIG. 2 is a top view of the container lid;

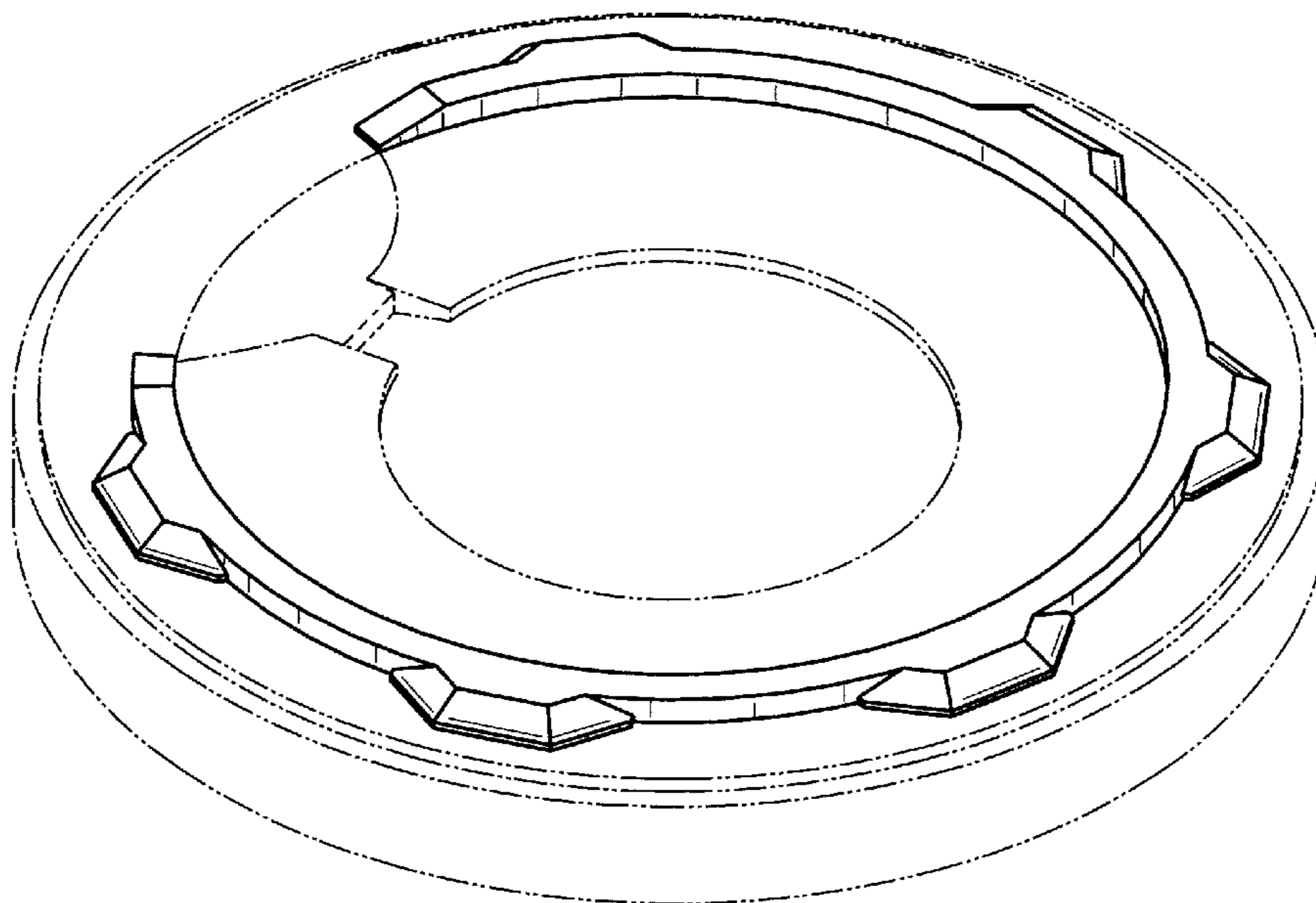
FIG. 3 is a right side view of the container lid, with left side being a mirror thereof;

FIG. 4 is a front view of the container lid;

FIG. 5 is a rear view of the container lid; and,

FIG. 6 is a bottom view of the container lid.

**1 Claim, 3 Drawing Sheets**



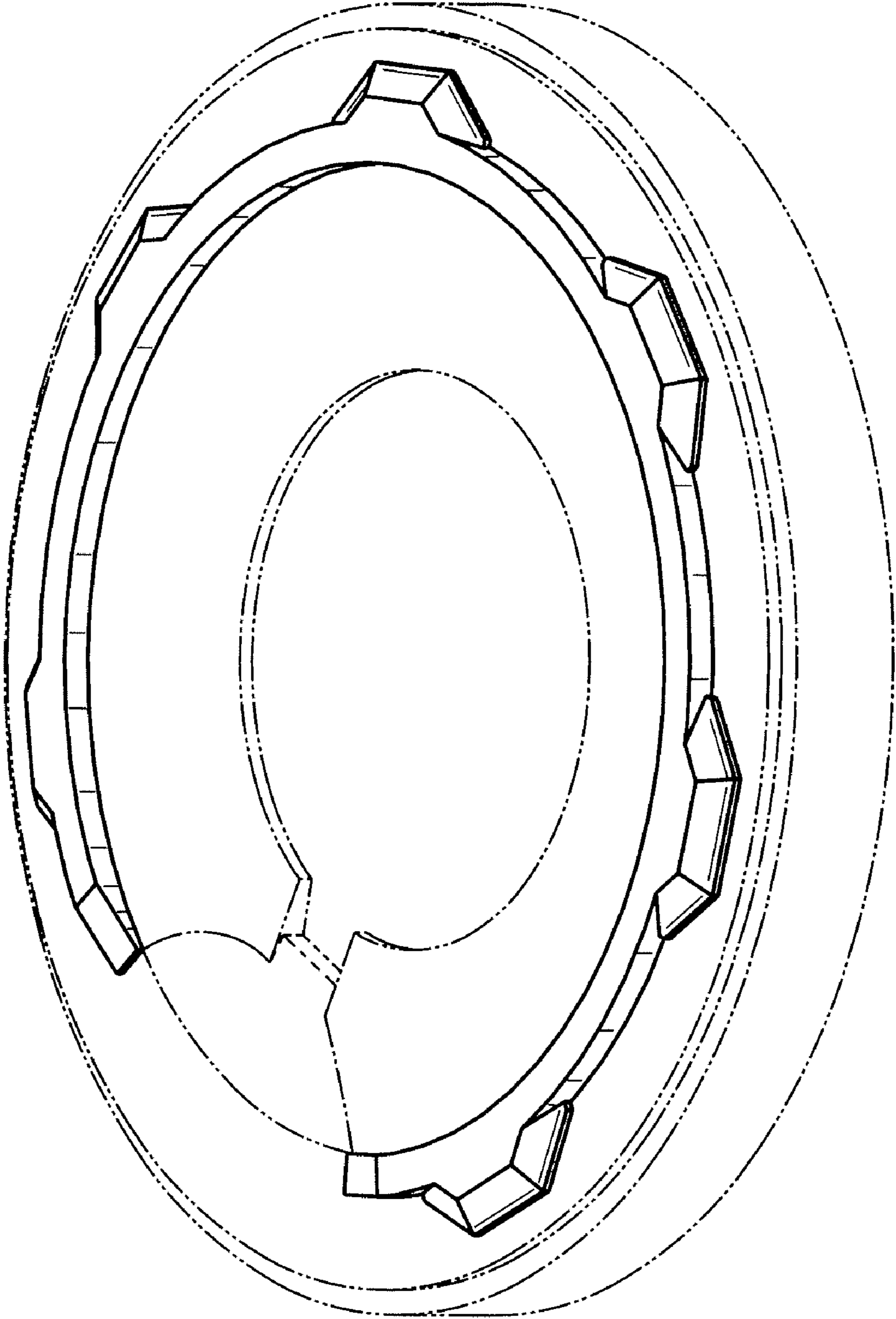


Fig. 1

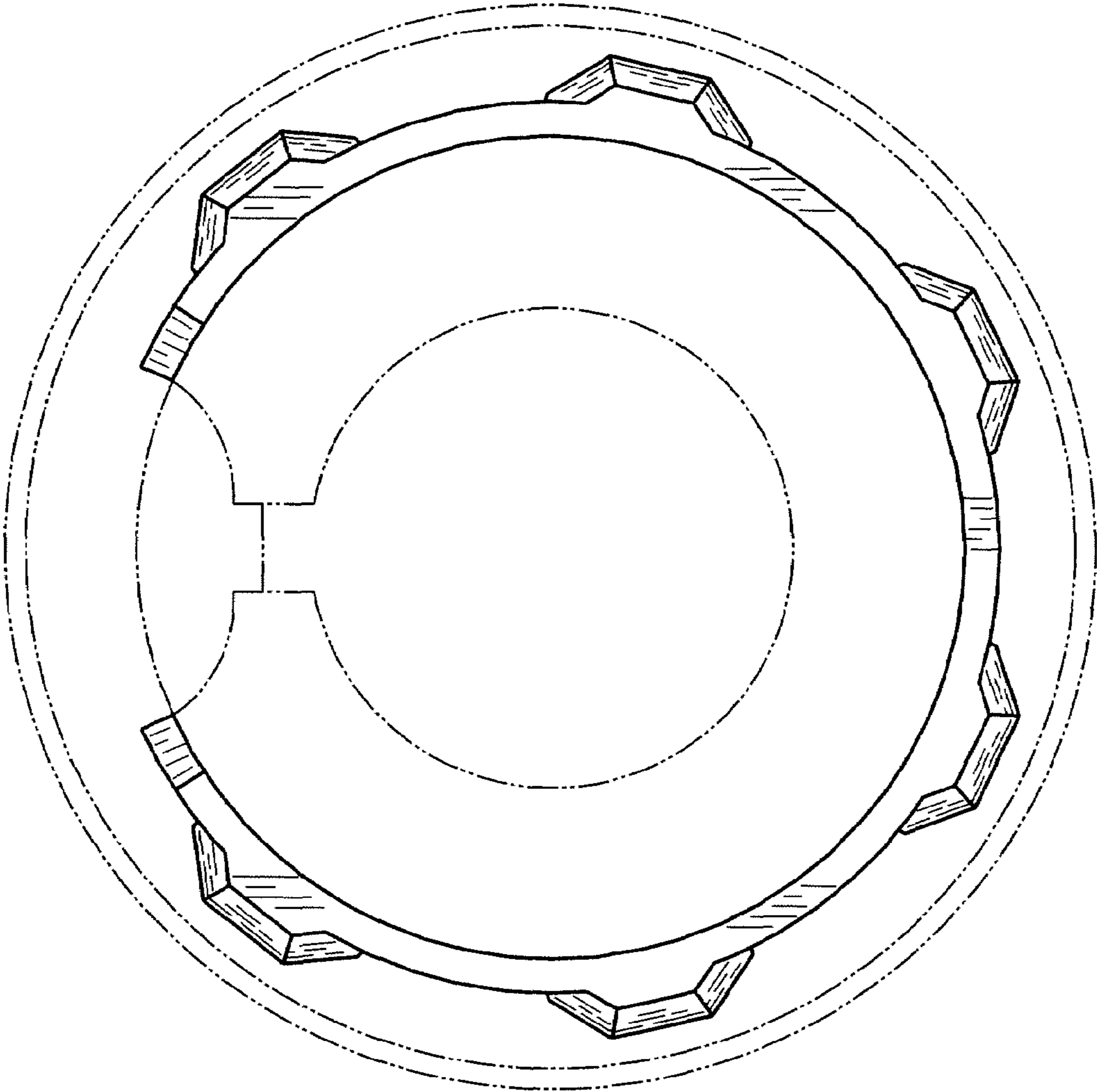


Fig. 2

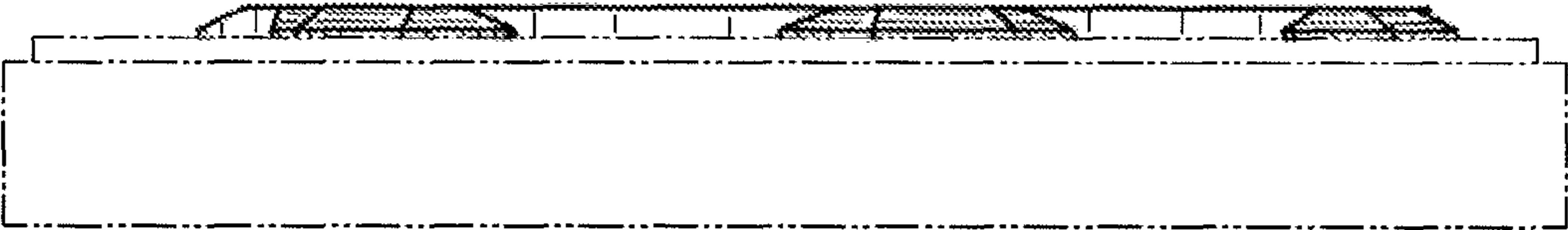
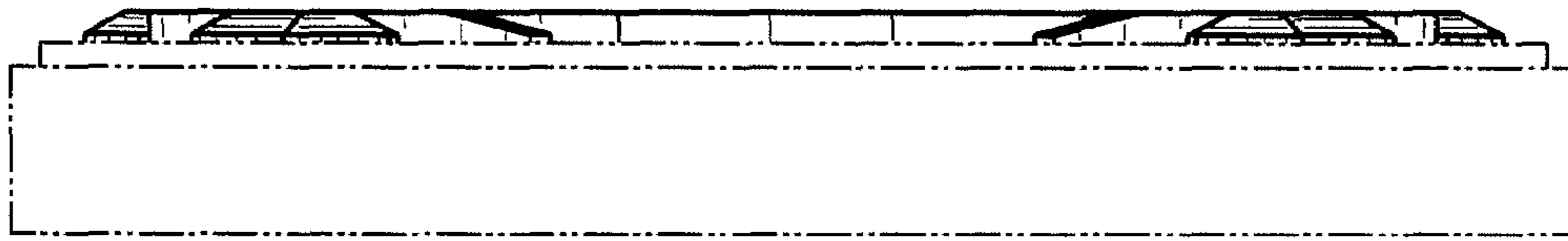
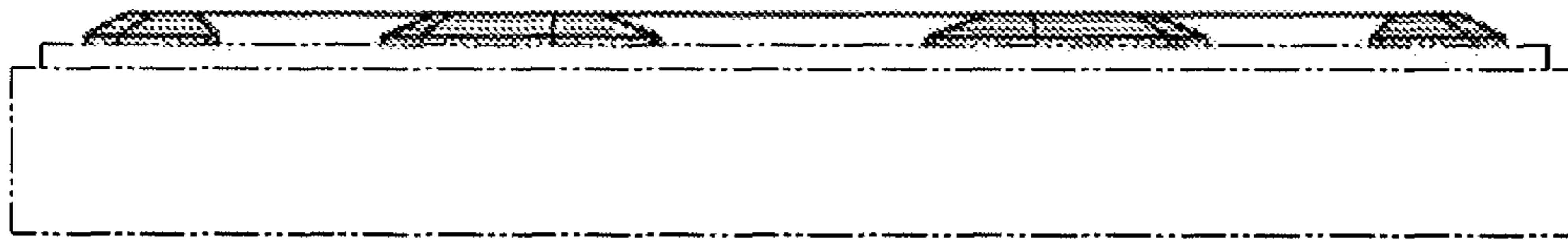


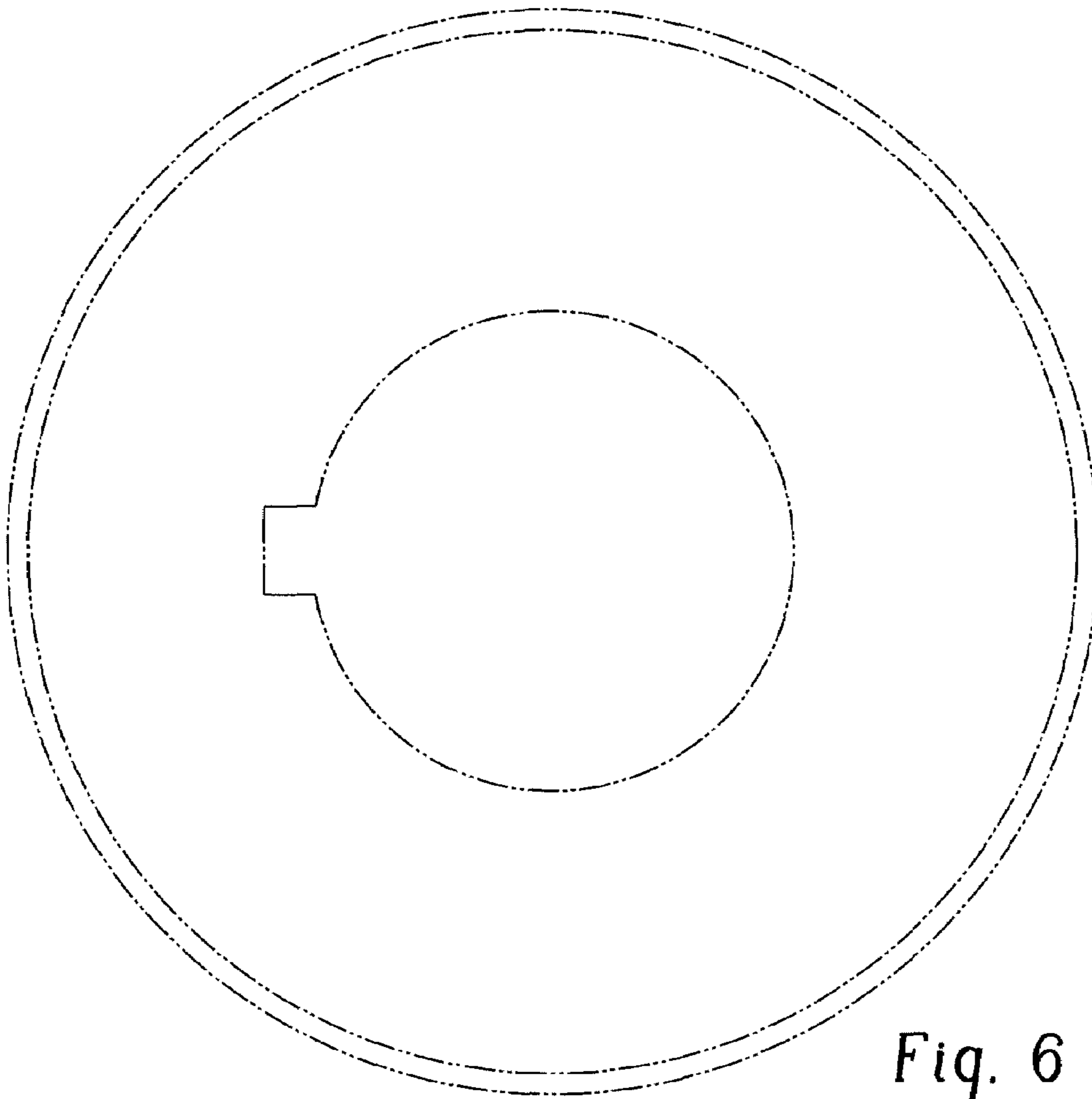
Fig. 3



*Fig. 4*



*Fig. 5*



*Fig. 6*