



US00D573874S

(12) **United States Design Patent**  
**Thoma et al.**

(10) **Patent No.:** **US D573,874 S**  
(45) **Date of Patent:** **\*\* Jul. 29, 2008**

(54) **HOLD DOWN DEVICE**

(75) Inventors: **Michael L. Thoma**, Lafayette, IN (US);  
**Danny Lee Gilbert**, Monticello, IN  
(US); **Francis S. Smidler**, Lafayette, IN  
(US)

(73) Assignee: **Wabash National, L.P.**, Lafayette, IN  
(US)

(\*\*) Term: **14 Years**

(21) Appl. No.: **29/297,593**

(22) Filed: **Nov. 14, 2007**

(51) **LOC (8) Cl.** ..... **08-05**

(52) **U.S. Cl.** ..... **D8/356**

(58) **Field of Classification Search** ..... D6/356,  
D6/434, 491; D8/105, 303, 349, 354, 356,  
D8/382, 394, 395; D12/115, 151, 152, 317;  
D25/119, 120, 121, 122; D15/21; 24/170,  
24/561; 52/167.6; 114/85; 152/152.1; 188/73.36;  
220/327, 839; 280/633; 411/433; 404/25;  
439/66, 501; 242/118, 159, 160.3, 177, 400.1,  
242/405.1, 405.2, 600; 248/214, 229.26,  
248/316.7

See application file for complete search history.

(56) **References Cited**

**U.S. PATENT DOCUMENTS**

D194,437	S	*	1/1963	Salter	.....	D15/21
3,771,270	A	*	11/1973	Byers	.....	52/167.6
3,786,955	A	*	1/1974	Mowatt-Larssen	.....	220/327
3,807,748	A	*	4/1974	Ramillon	.....	280/633
3,841,445	A	*	10/1974	Rinker	.....	188/73.36
D258,044	S	*	1/1981	Kimball	.....	D8/356
D286,147	S	*	10/1986	Carlson	.....	D12/317
D301,433	S	*	6/1989	Krauss	.....	D8/356
4,987,654	A	*	1/1991	Mejias	.....	24/170
D364,084	S	*	11/1995	Yaich	.....	D8/356
D378,987	S	*	4/1997	Ross	.....	D8/356
D386,387	S	*	11/1997	Rausch	.....	D8/349
D390,776	S	*	2/1998	Ueno	.....	D8/382
D436,518	S	*	1/2001	Matsubara	.....	D8/356

D442,064	S	*	5/2001	Chung	.....	D8/356
D442,398	S	*	5/2001	Waisbrod	.....	D6/491
D443,811	S	*	6/2001	Tisbo	.....	D8/356
D456,692	S	*	5/2002	Epstein	.....	D8/356
D465,722	S	*	11/2002	Shijyo	.....	D8/356
D465,988	S	*	11/2002	Green	.....	D8/349
D478,496	S	*	8/2003	Gratiot	.....	D8/349
D479,978	S	*	9/2003	Watabe et al.	.....	D8/356
D483,245	S	*	12/2003	Harris et al.	.....	D8/349

(Continued)

*Primary Examiner*—T. Chase Nelson

*Assistant Examiner*—Barbara B Lohr

(74) *Attorney, Agent, or Firm*—Trexler, Bushnell,  
Giangiorgi, Blackstone & Marr, Ltd.

(57) **CLAIM**

The ornamental design for a hold down device, as shown and described.

**DESCRIPTION**

FIG. 1 is a front perspective view of the hold down device mounted to a trailer sidewall which is shown in condition of use and in phantom line;

FIG. 2 is a greatly enlarged front elevational view of the hold down device;

FIG. 3 is a rear elevational view of the hold down device;

FIG. 4 is a top plan view of the hold down device;

FIG. 5 is bottom plan view of the hold down device;

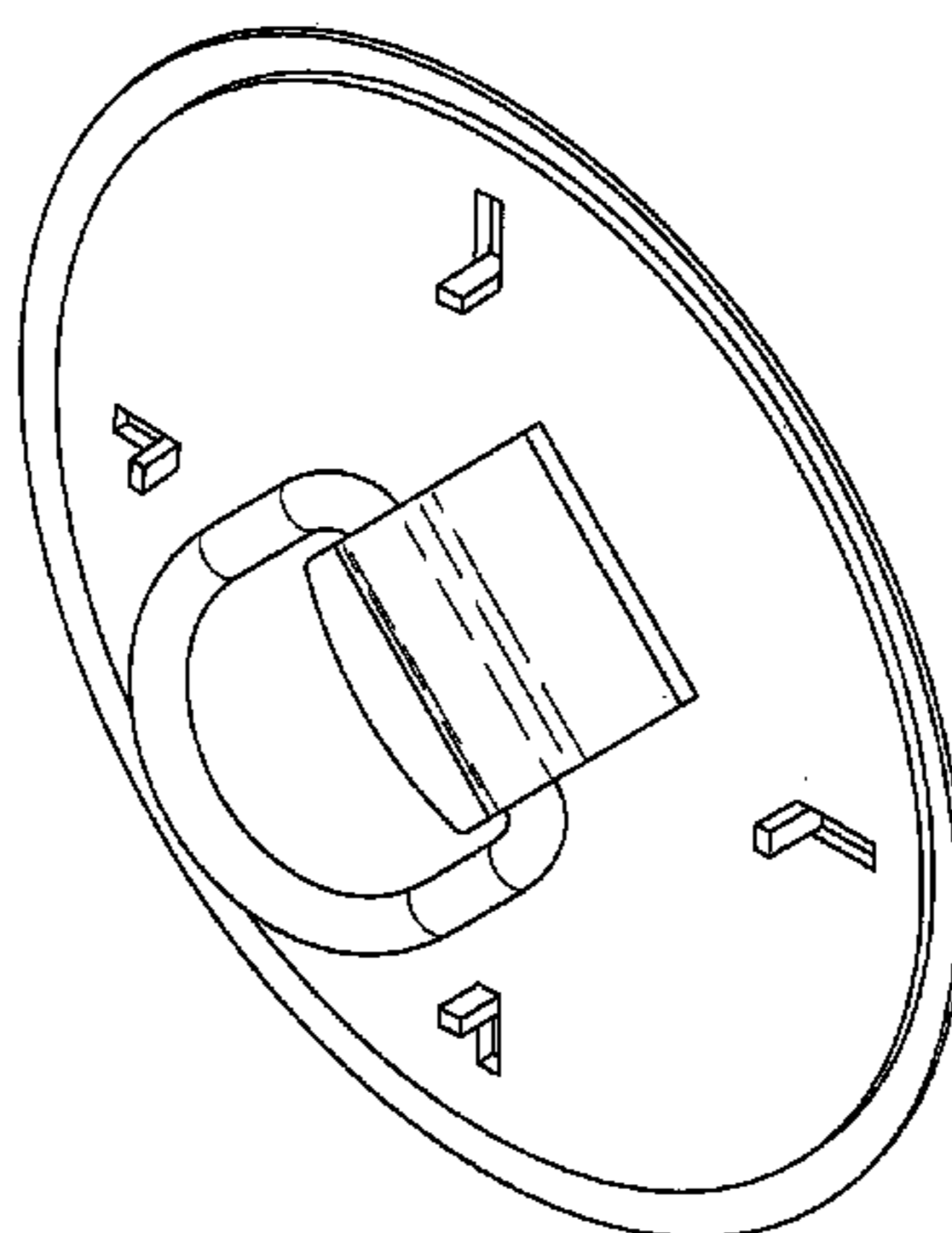
FIG. 6 is a left side elevational view of the hold down device;

FIG. 7 is a right side elevational view of the hold down device; and,

FIG. 8 is a further enlarged rear perspective view of the hold down device.

The broken line representing the trailer is provided for illustrative purpose only and shows the environment in which the hold down device is mounted, and forms no part of the claimed design.

**1 Claim, 3 Drawing Sheets**



# US D573,874 S

Page 2

---

## U.S. PATENT DOCUMENTS

6,708,637 B1 *	3/2004	Webster .....	114/85	7,201,533 B2 *	4/2007	DeGreef .....	404/25
6,854,944 B2 *	2/2005	Hoffmann et al. ....	411/433	D551,943 S *	10/2007	Hodjat et al. ....	D8/349
6,860,303 B2 *	3/2005	Rensel et al. ....	152/152.1	D555,469 S *	11/2007	Unger .....	D8/382
D520,343 S *	5/2006	Powell .....	D8/349	D559,660 S *	1/2008	DeCosta et al. ....	D8/356
D527,620 S *	9/2006	Aoki .....	D8/382	D560,114 S *	1/2008	Mockett .....	D8/356
D531,013 S *	10/2006	Yuta et al. ....	D8/382	2007/0170193 A1 *	7/2007	Schorner .....	220/839
D539,117 S *	3/2007	Sealey et al. ....	D8/349	2008/0009148 A1 *	1/2008	Goodman .....	439/66

\* cited by examiner

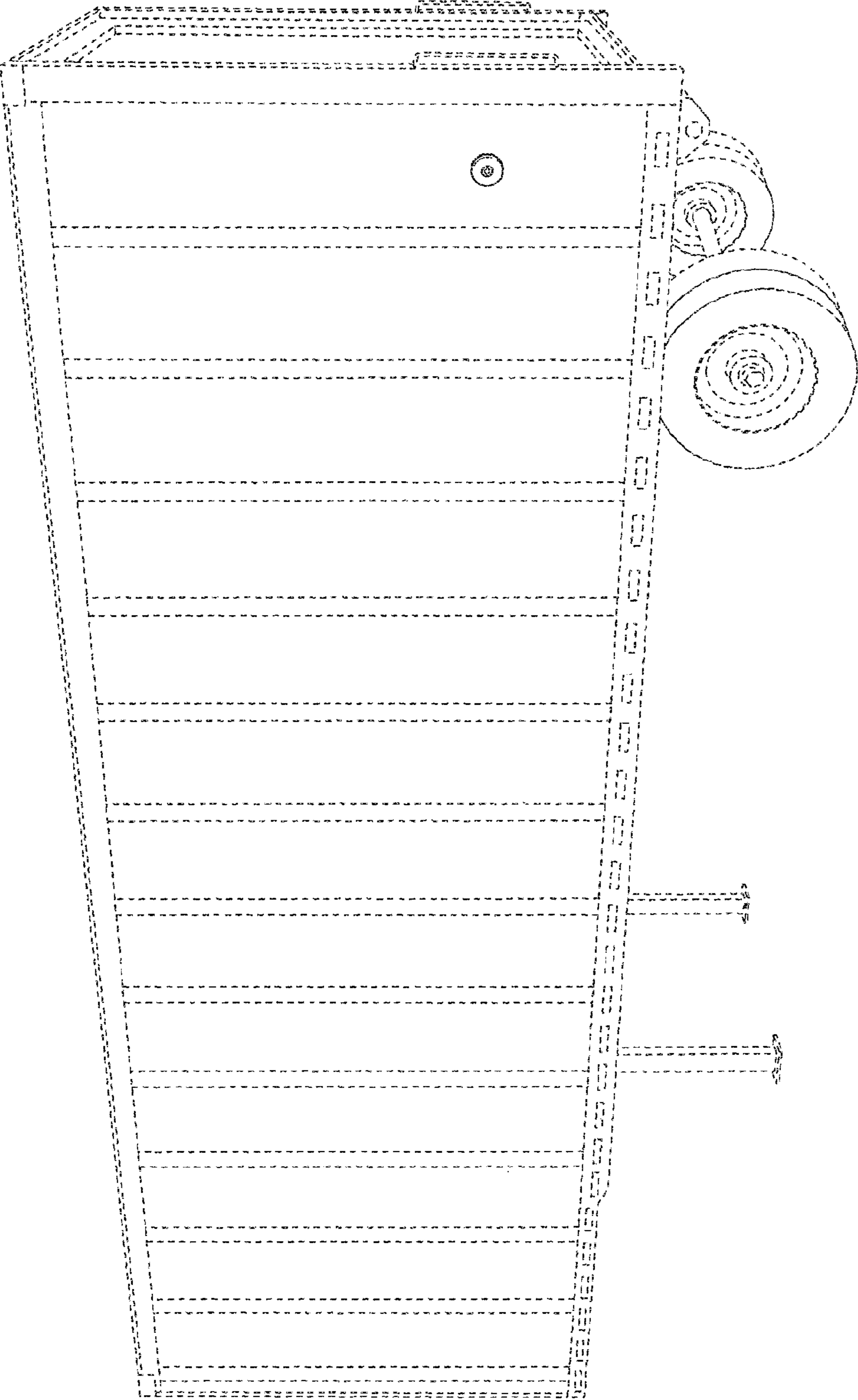


FIG. 1

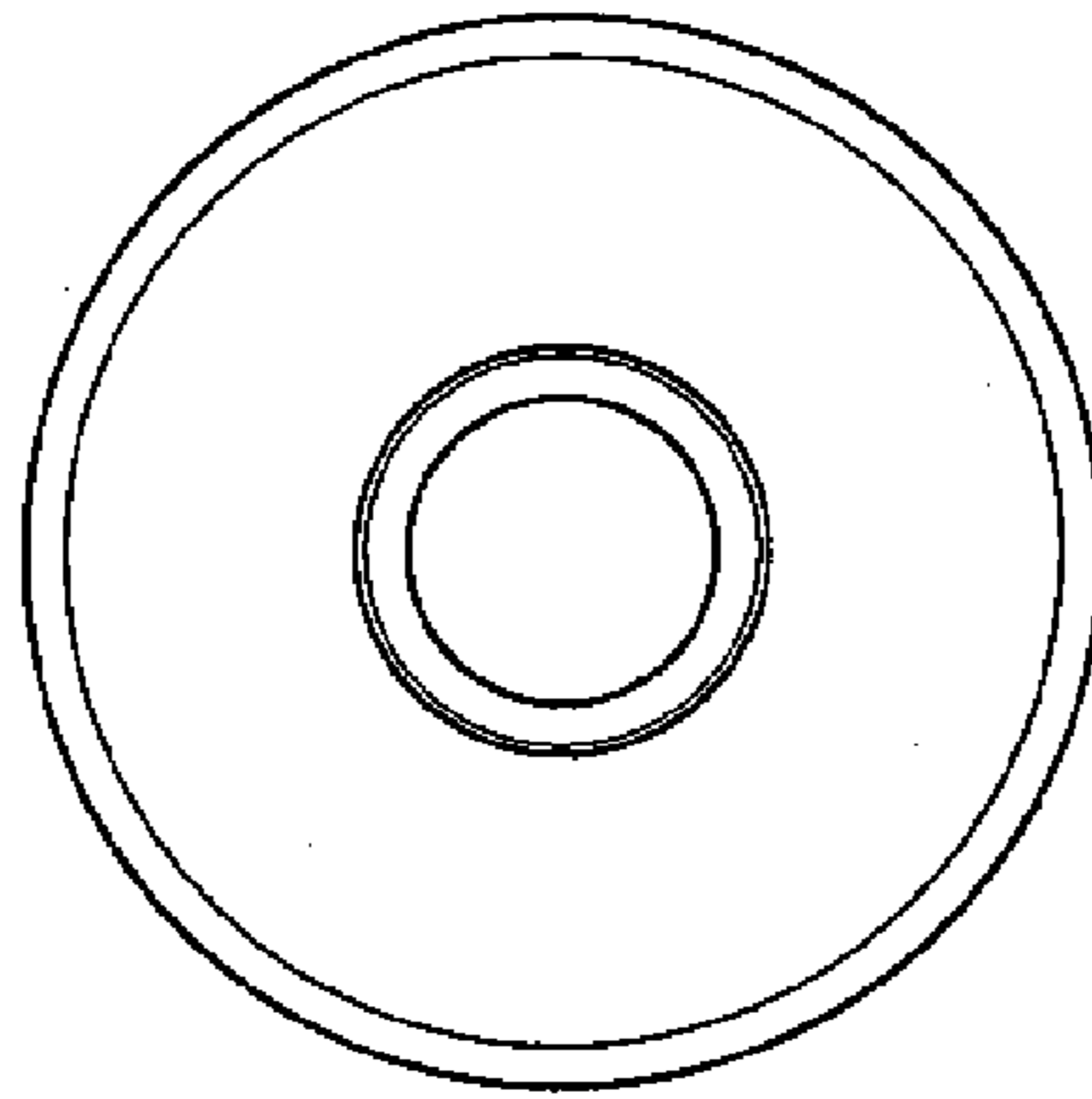


FIG. 2

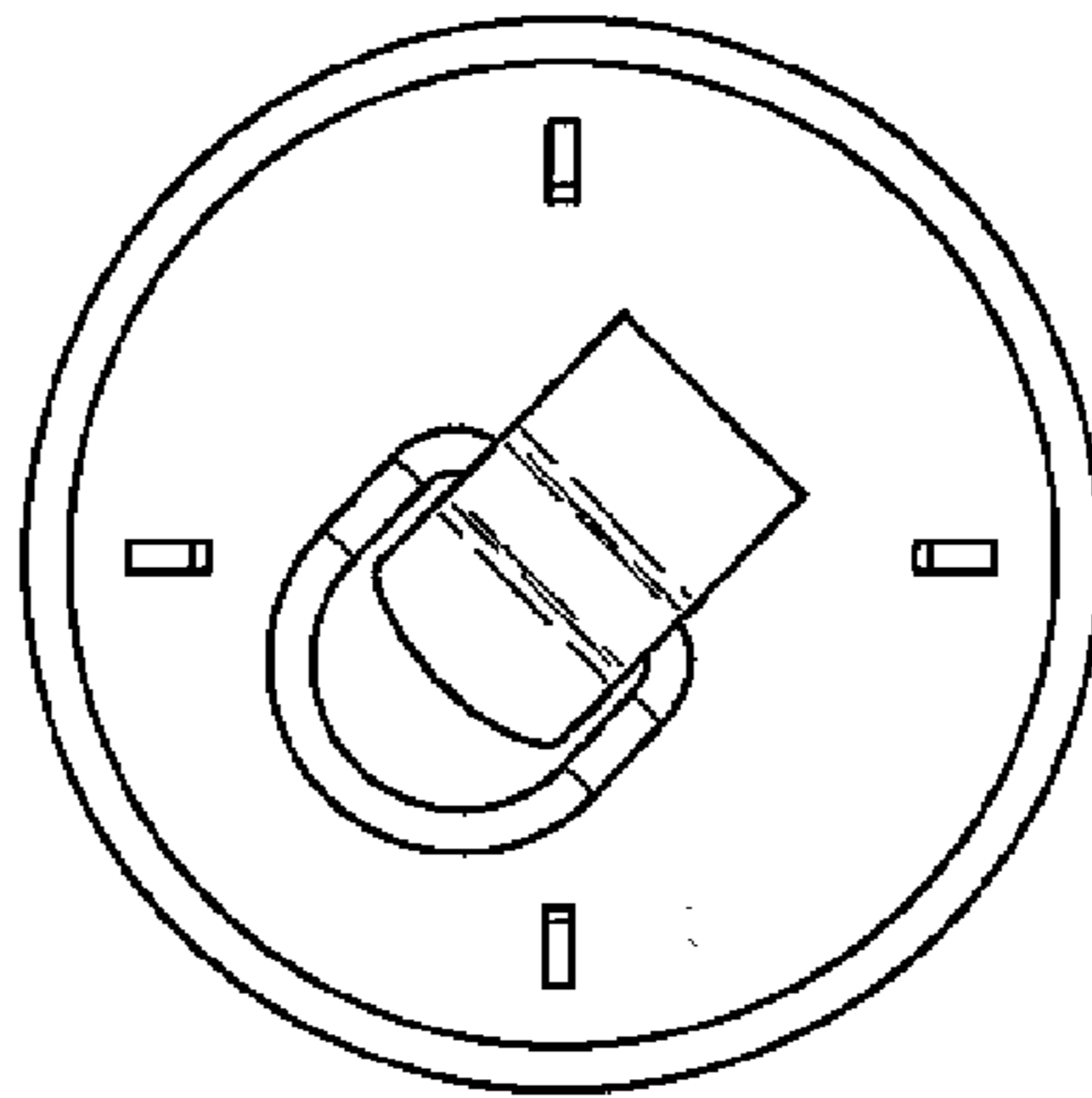


FIG. 3



FIG. 4



FIG. 5



FIG. 6



FIG. 7

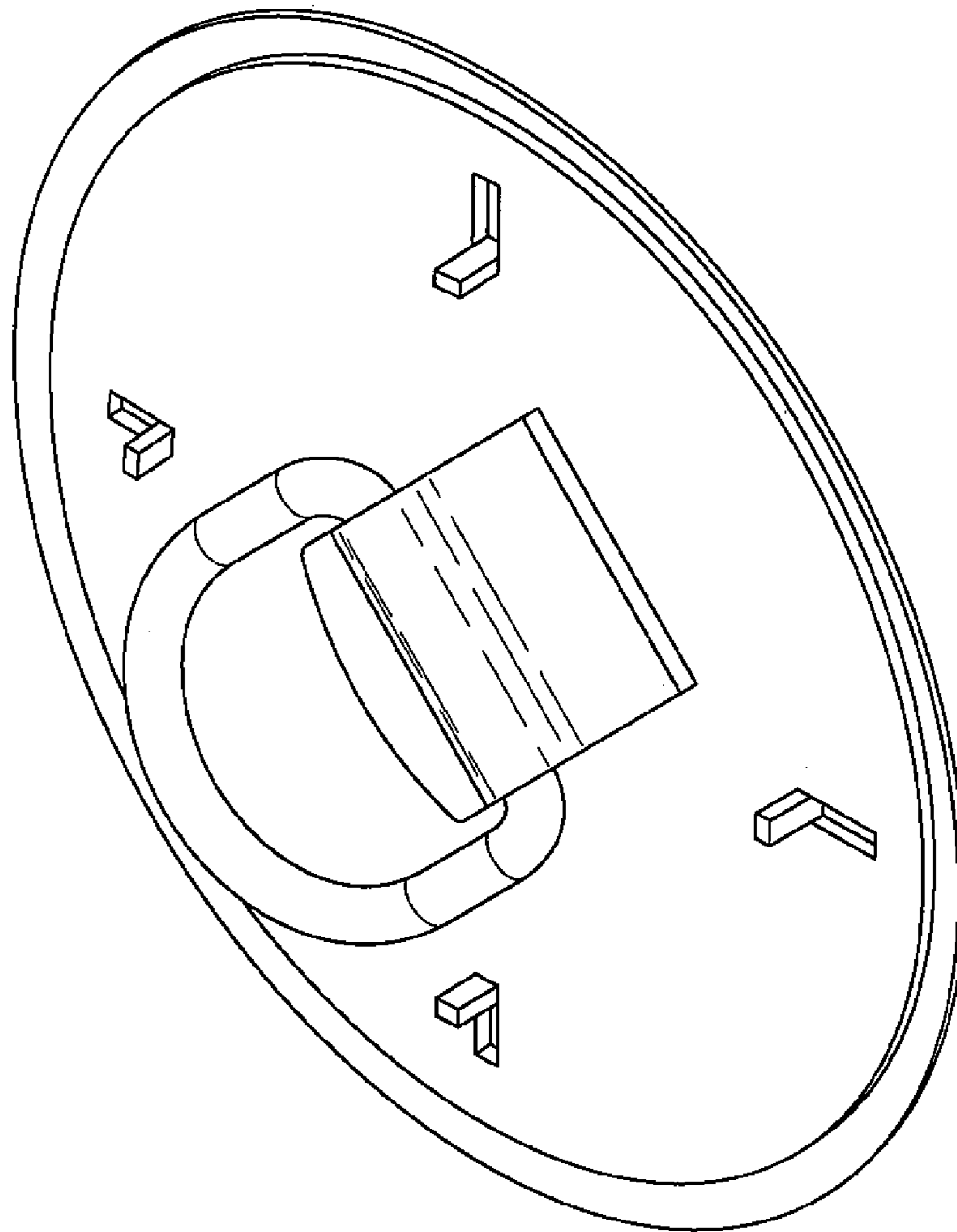


FIG. 8