



US00D573873S

(12) **United States Design Patent**
Wall

(10) **Patent No.:** **US D573,873 S**

(45) **Date of Patent:** **** Jul. 29, 2008**

(54) **COMBINED POST BRACKET AND ATTACHING BUCKLE**

(75) Inventor: **John R. Wall**, Carmichaels, PA (US)

(73) Assignee: **John Wall, Inc.**, Carmichaels, PA (US)

(**) Term: **14 Years**

(21) Appl. No.: **29/270,490**

(22) Filed: **Dec. 22, 2006**

(51) **LOC (8) Cl.** **08-05**

(52) **U.S. Cl.** **D8/354**

(58) **Field of Classification Search** D8/349,
D8/354; 248/200, 300

See application file for complete search history.

(56) **References Cited**

U.S. PATENT DOCUMENTS

1,726,884 A * 9/1929 Brown 248/300

D256,663 S * 9/1980 Gilb D8/354

D364,794 S * 12/1995 Eberschlag D8/354

5,979,847 A * 11/1999 Williams et al. 248/200

* cited by examiner

Primary Examiner—Holly H Baynham

(74) *Attorney, Agent, or Firm*—The Webb Law Firm

(57) **CLAIM**

The ornamental design for a combined post bracket and attaching buckle, as shown and described.

DESCRIPTION

FIG. 1 is a front perspective view of the combined post bracket and attaching buckle in accordance with an alternate embodiment of the invention;

FIG. 2 is a front plan view thereof;

FIG. 3 is rear plan view thereof;

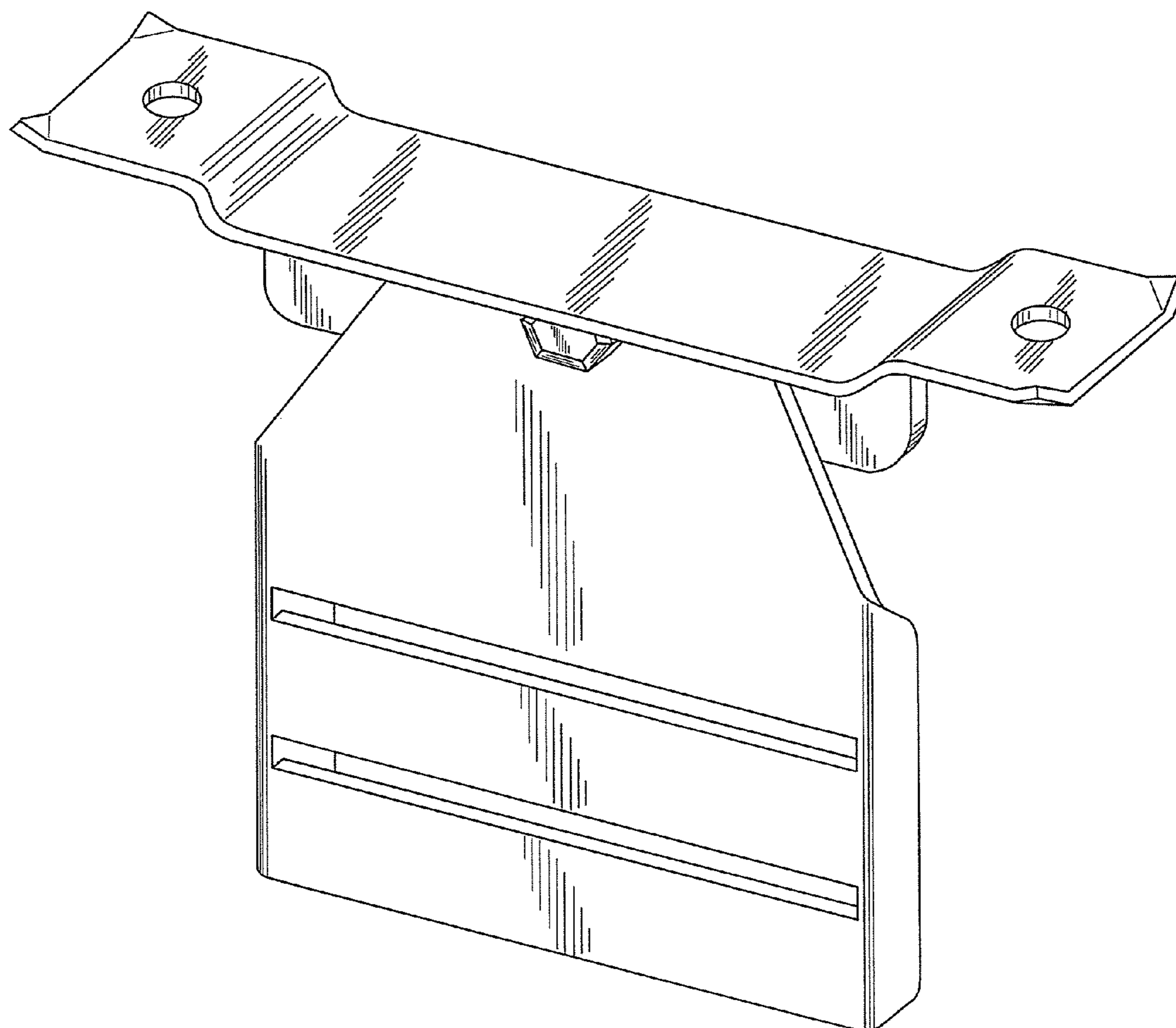
FIG. 4 is a left plan view thereof;

FIG. 5 is a right plan view thereof;

FIG. 6 is a bottom plan view thereof; and,

FIG. 7 is a top plan view thereof.

1 Claim, 4 Drawing Sheets



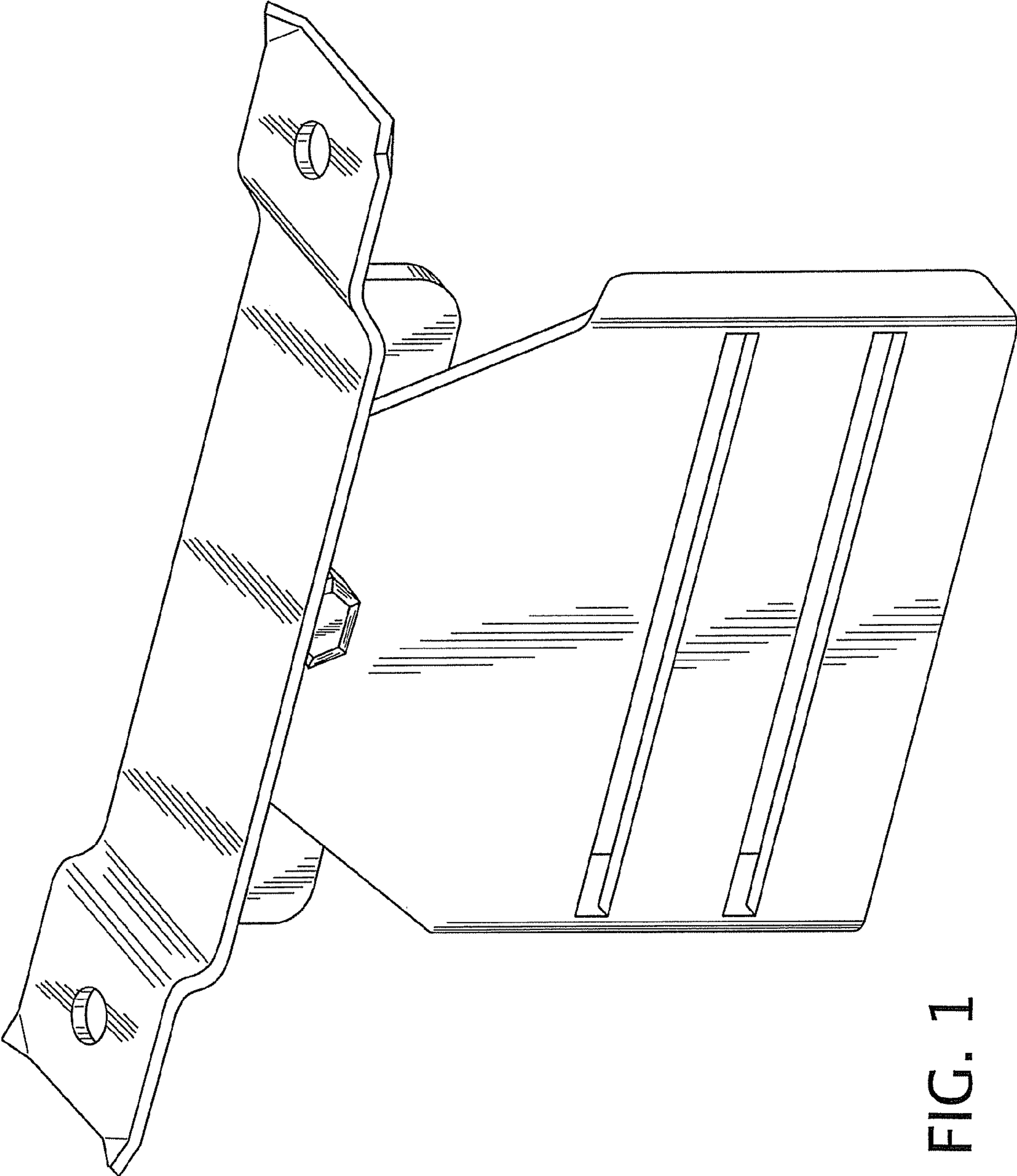


FIG. 1

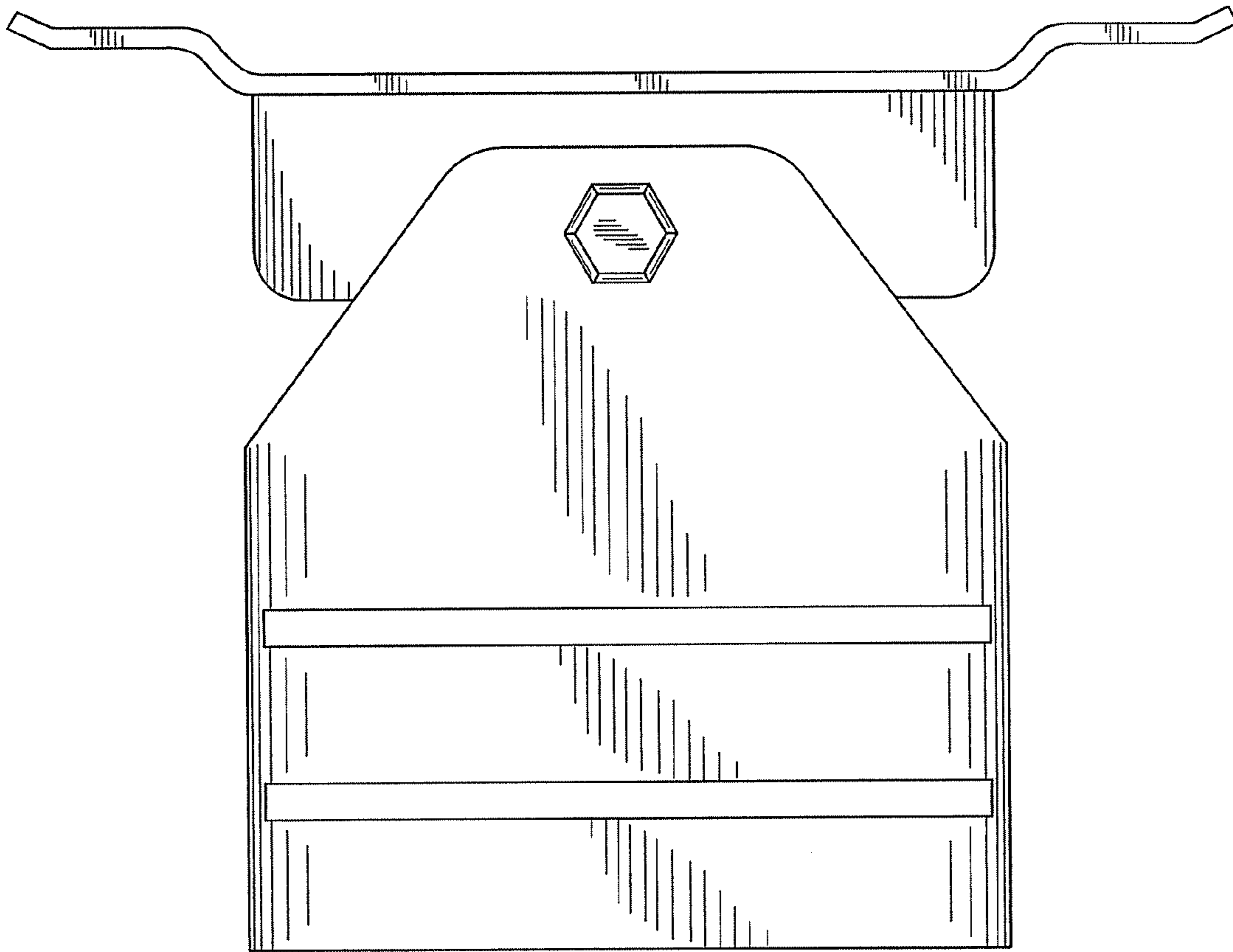


FIG. 2

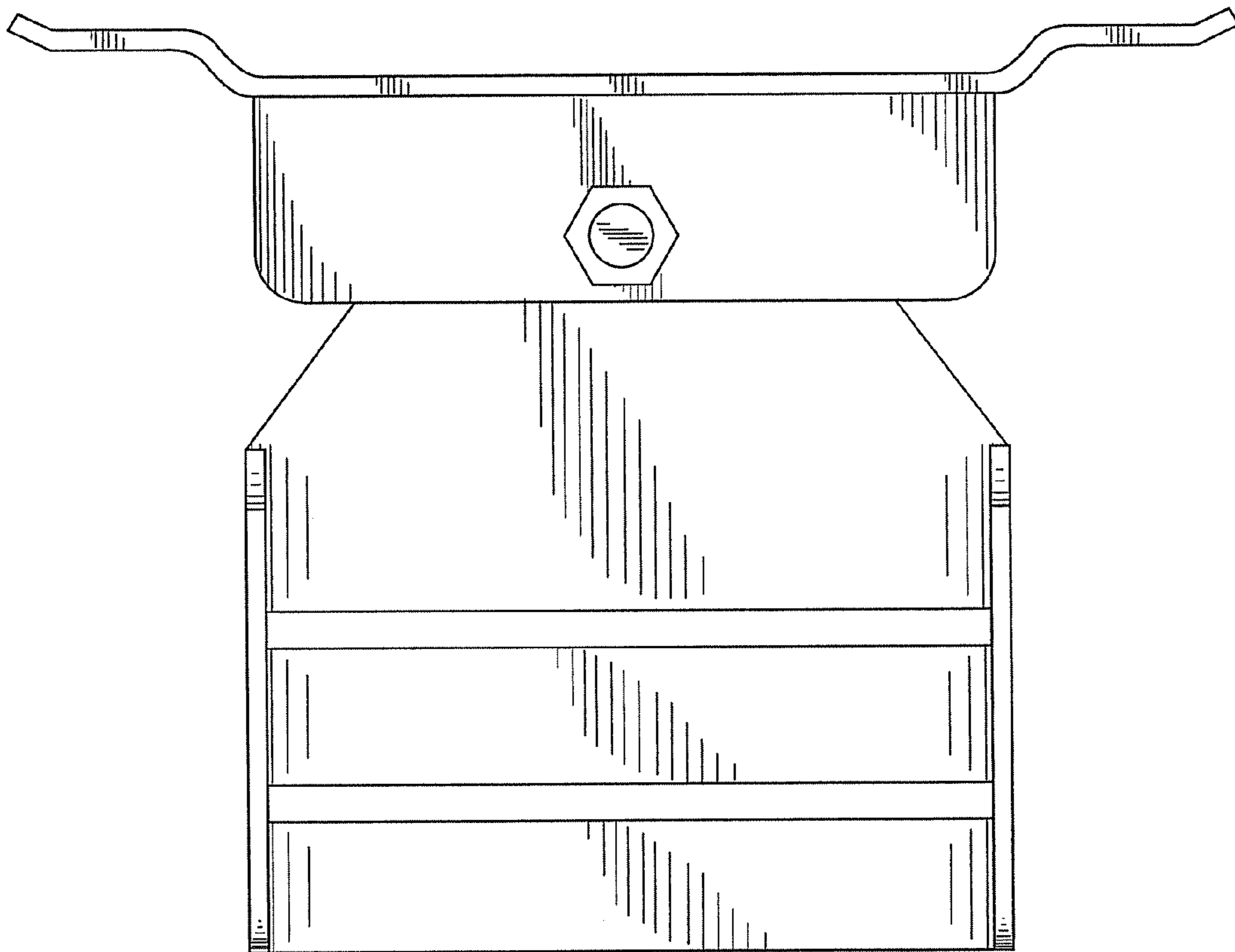


FIG. 3

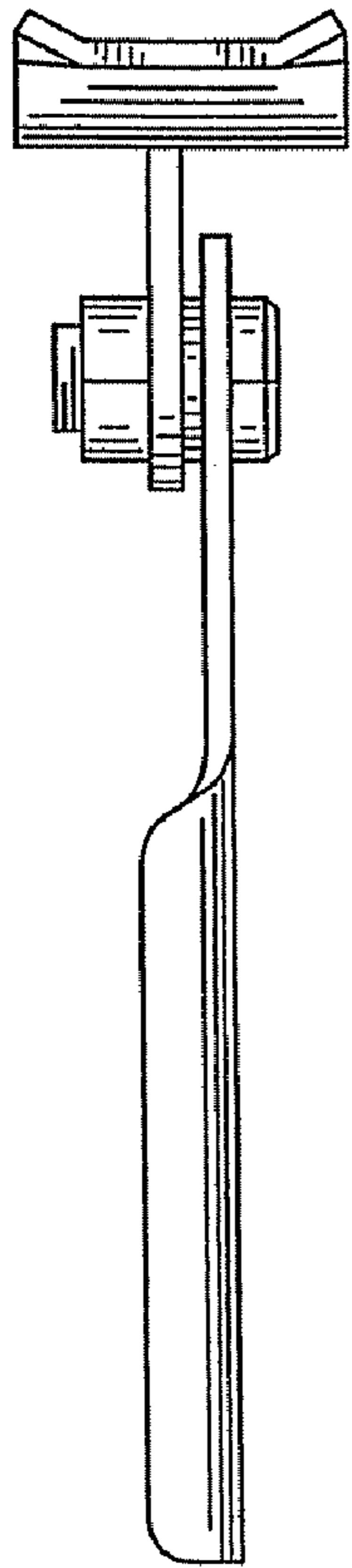


FIG. 4

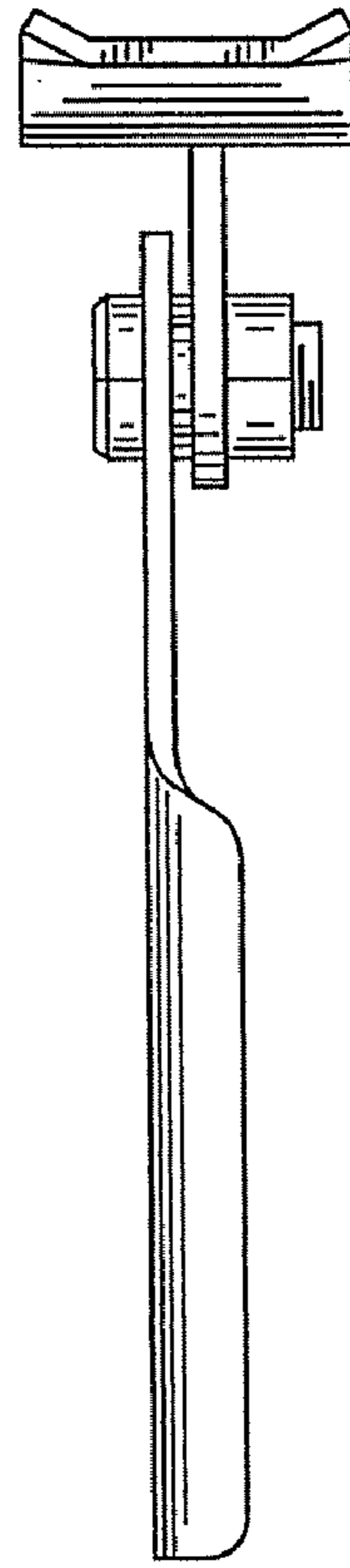


FIG. 5

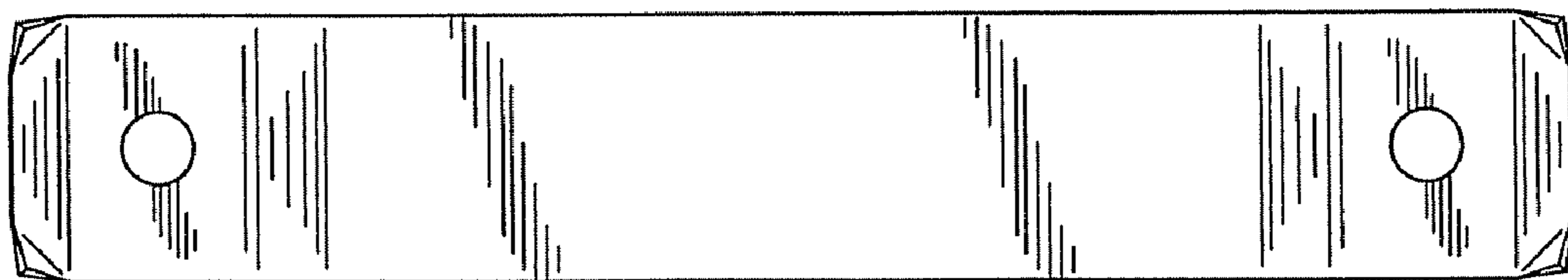


FIG. 6

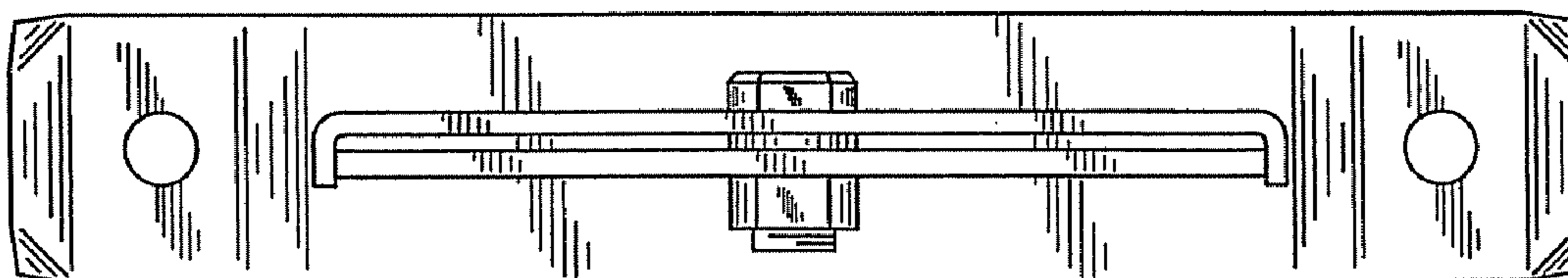


FIG. 7