



US00D573871S

(12) **United States Design Patent**  
**Nave et al.**

(10) **Patent No.:** **US D573,871 S**  
(45) **Date of Patent:** **\*\* Jul. 29, 2008**

(54) **LOCK**  
(75) Inventors: **Zachery Nave**, Oak Creek, WI (US);  
**Scott Stevens**, Cudahy, WI (US)  
(73) Assignee: **Master Lock Company LLC**, Oak  
Creek, WI (US)

6,718,803 B2 4/2004 Knoll  
D512,900 S 12/2005 Tarter et al.  
D516,408 S 3/2006 Kearns et al.  
D517,396 S 3/2006 Tarter et al.  
D535,548 S \* 1/2007 Lin ..... D8/334  
D548,043 S \* 8/2007 Yang ..... D8/334  
D557,107 S 12/2007 Van Handel et al.

(\*\*) Term: **14 Years**  
(21) Appl. No.: **29/302,177**  
(22) Filed: **Jan. 11, 2008**

\* cited by examiner  
*Primary Examiner*—Prabhakar Deshmukh  
(74) *Attorney, Agent, or Firm*—Calfee, Halter & Griswold  
LLP

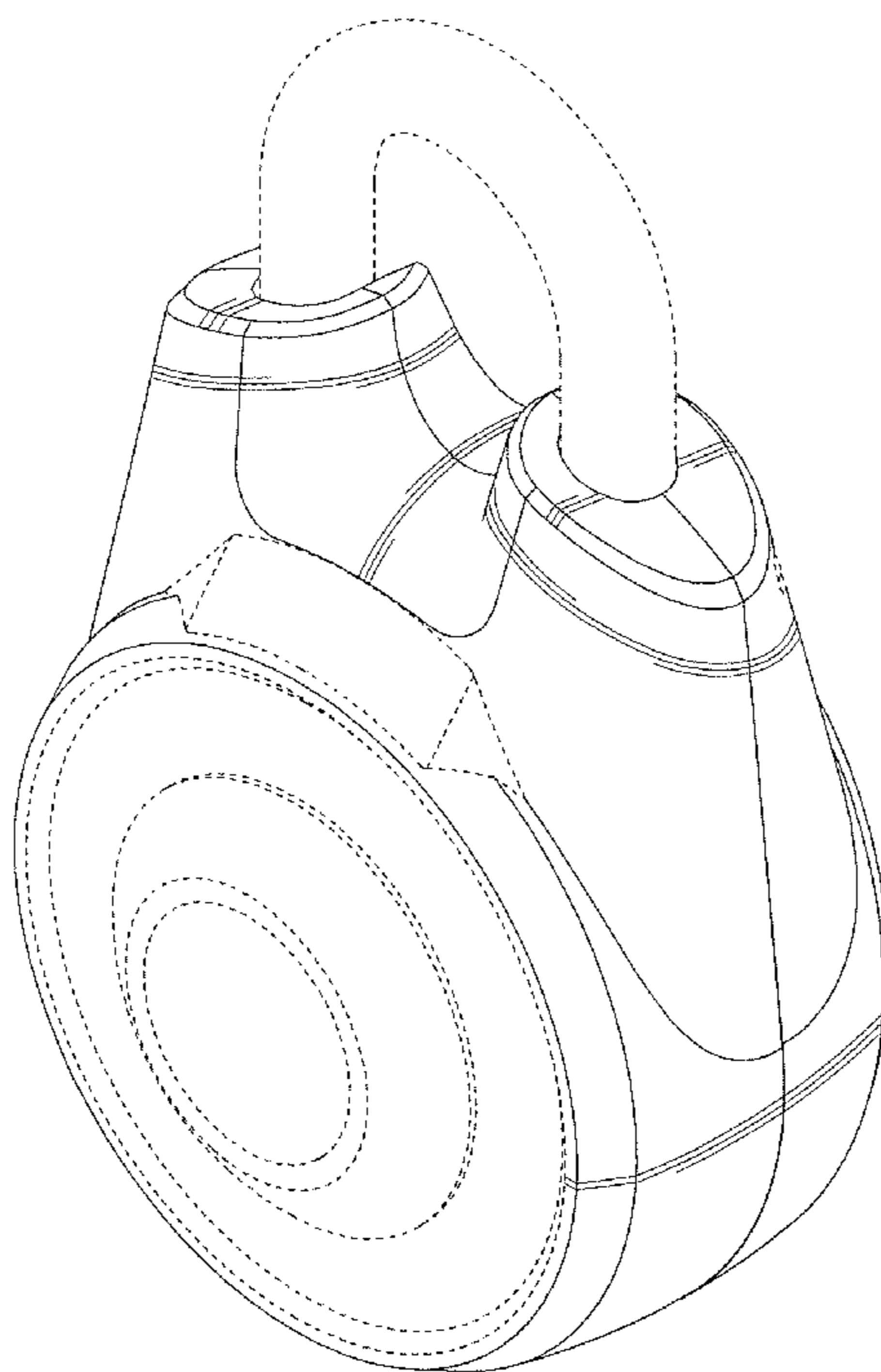
(51) **LOC (8) Cl.** ..... **08-07**  
(52) **U.S. Cl.** ..... **D8/334**  
(58) **Field of Classification Search** ..... D8/330,  
D8/331, 334, 343; 70/14, 20, 22, 24–29,  
70/31, 35–48, 52, 53, 54  
See application file for complete search history.

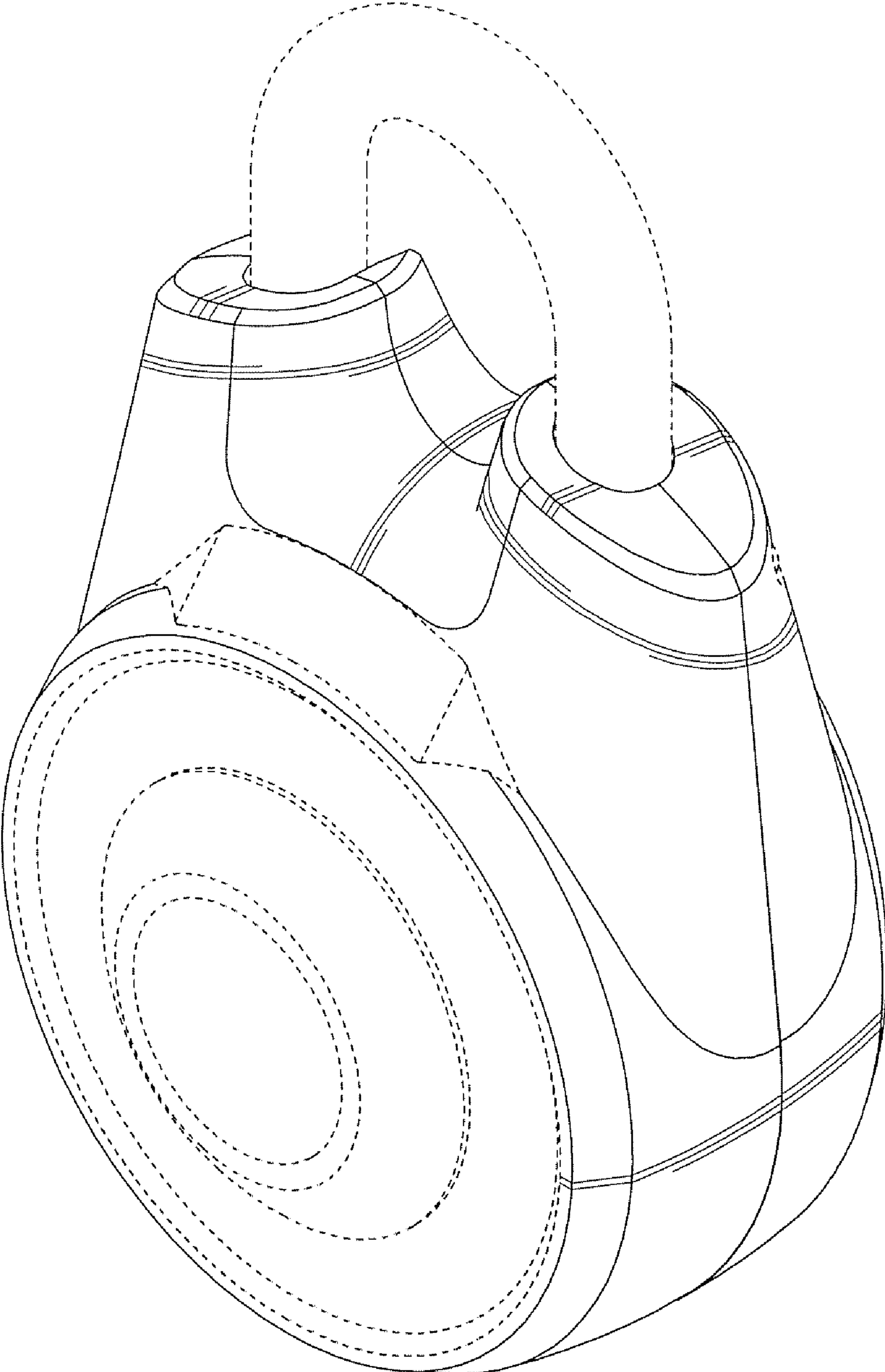
(57) **CLAIM**  
We claim the ornamental design for a lock, as shown and  
described.

(56) **References Cited**  
U.S. PATENT DOCUMENTS  
228,619 A 6/1880 Estes et al.  
745,064 A 11/1903 Katzenberger  
825,735 A 7/1906 Katzenberger  
3,750,431 A \* 8/1973 Atkinson ..... 70/21  
3,756,046 A 9/1973 Jeh  
3,952,559 A \* 4/1976 Atkinson ..... 70/25  
4,422,311 A 12/1983 Zabel et al.  
4,476,698 A 10/1984 Treslo  
D406,043 S 2/1999 LeClaire  
D425,398 S 5/2000 Fiegenger et al.  
6,298,694 B1 10/2001 Knoll  
D458,530 S \* 6/2002 Grosz et al. .... D8/334  
D476,216 S \* 6/2003 Vito ..... D8/334

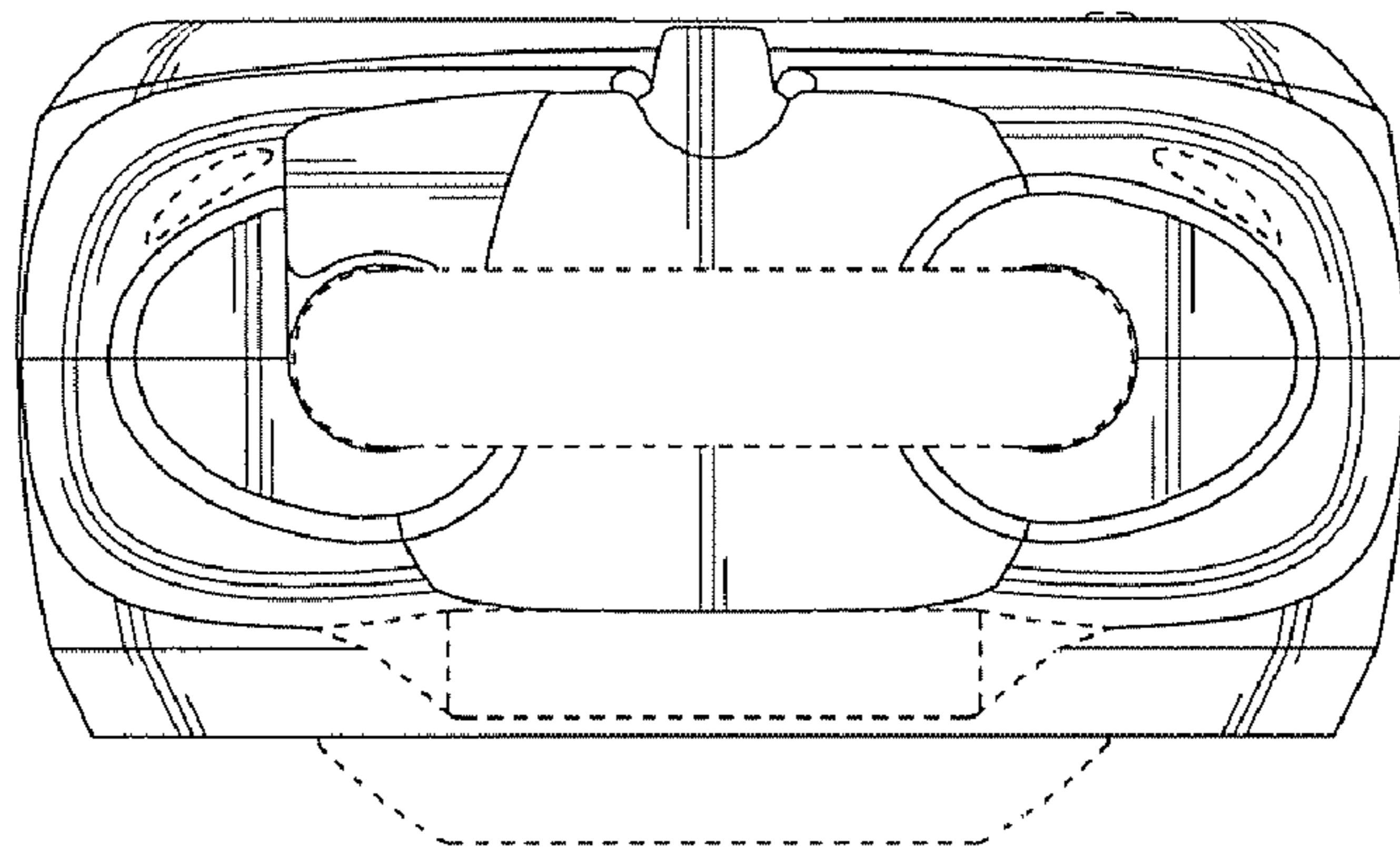
**DESCRIPTION**  
FIG. 1 is a perspective view of a lock showing our new design;  
FIG. 2 is a top view of the lock of FIG. 1;  
FIG. 3 is a front view of the lock of FIG. 1;  
FIG. 4 is a rear view of the lock of FIG. 1;  
FIG. 5 is a bottom view of the lock of FIG. 1;  
FIG. 6 is a right side view of the lock of FIG. 1; and,  
FIG. 7 is a left side view of the lock of FIG. 1.  
The portions of the Figures shown in broken lines are not part  
of the claimed design and are for illustration only.  
The broken lines, which define the bounds of the claimed  
design, form no part thereof.

**1 Claim, 4 Drawing Sheets**

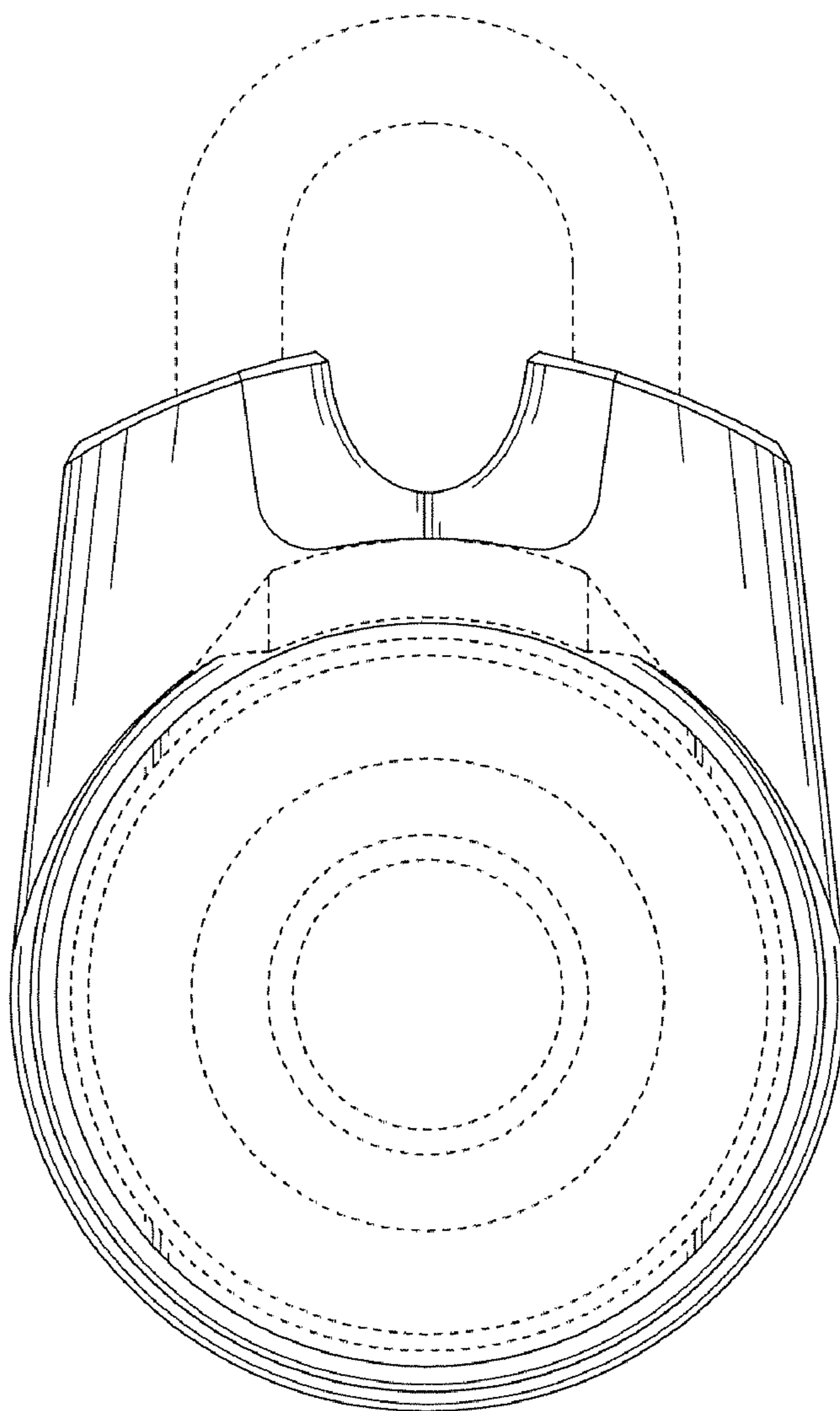




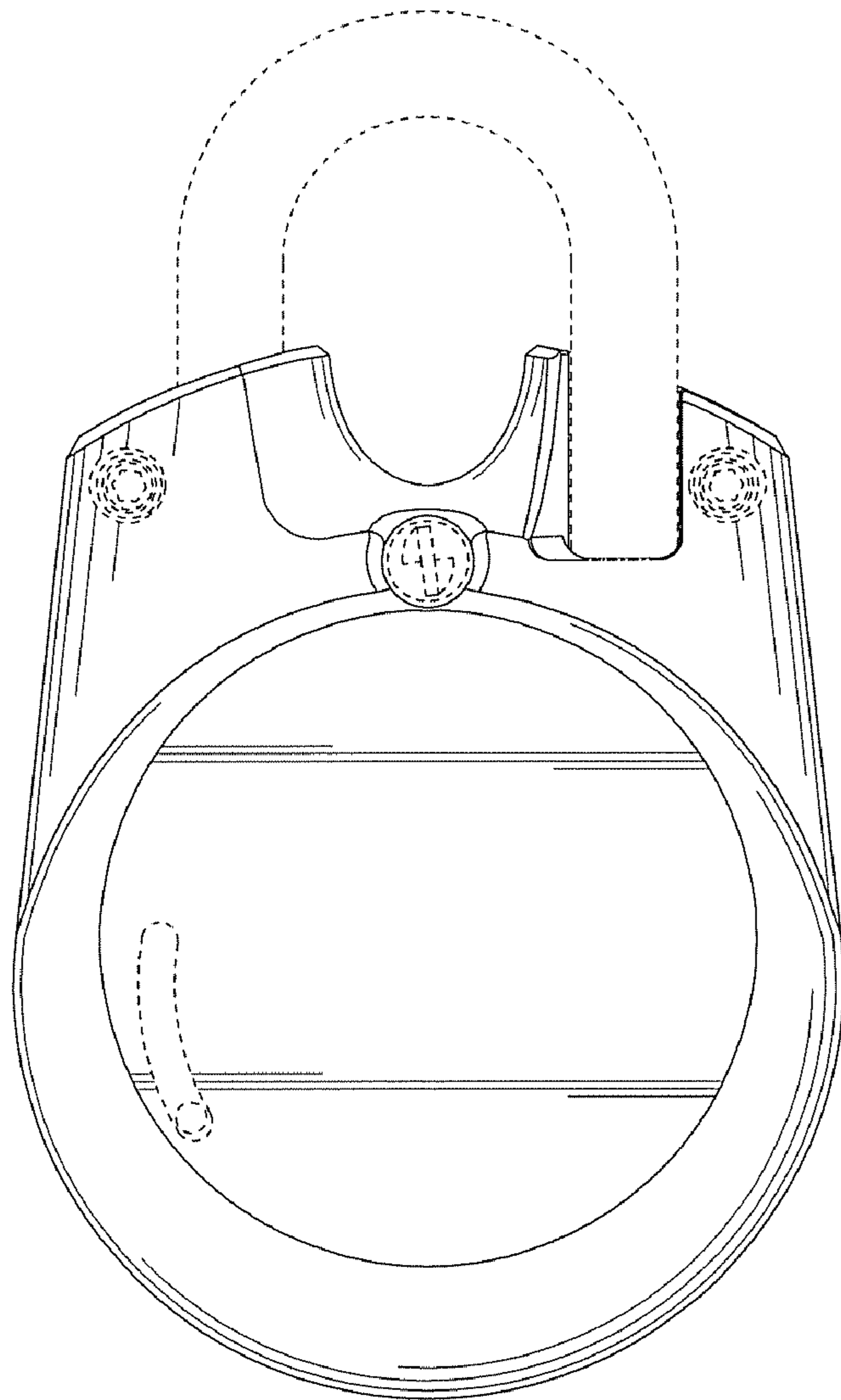
**FIG. 1**



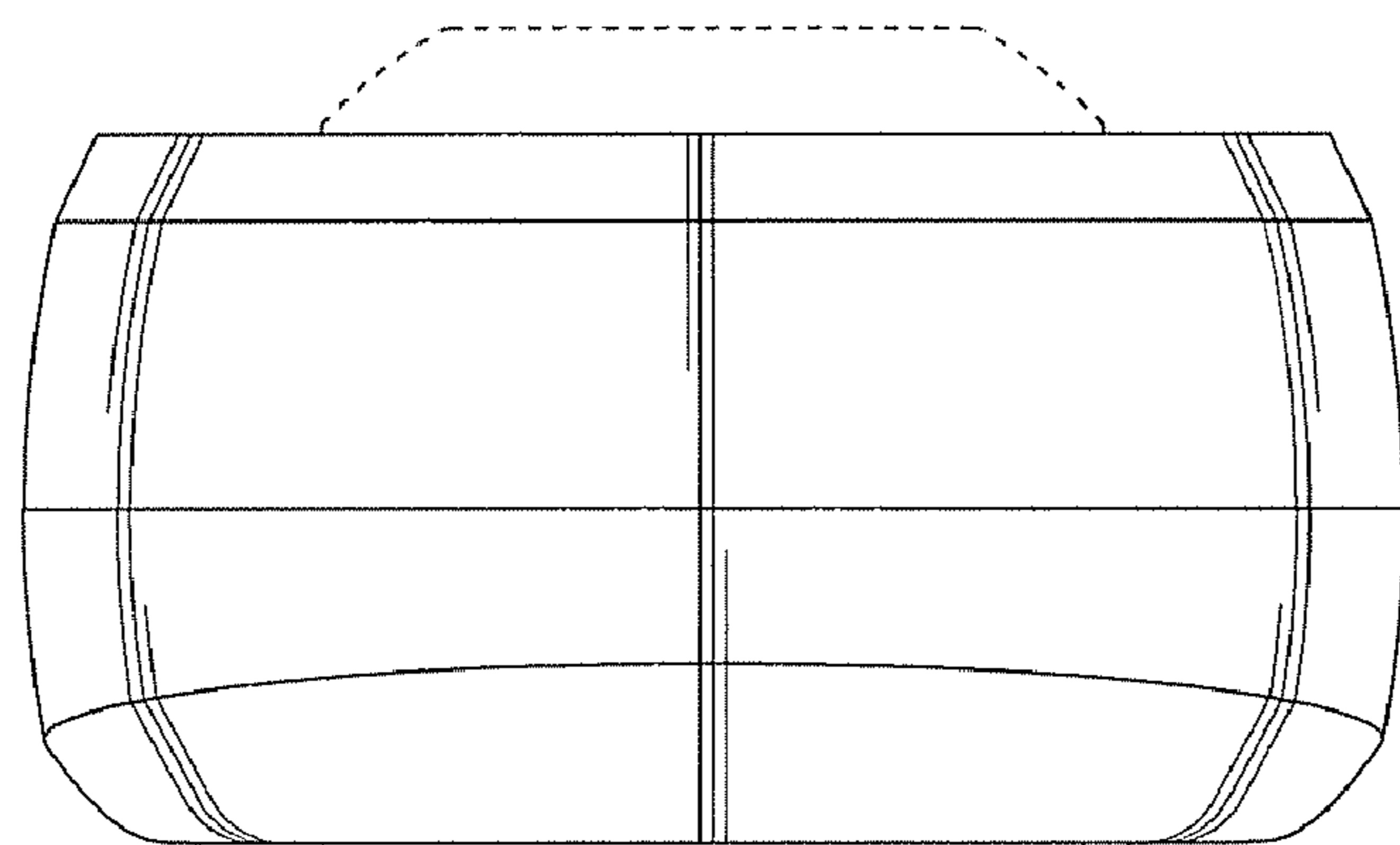
**FIG. 2**



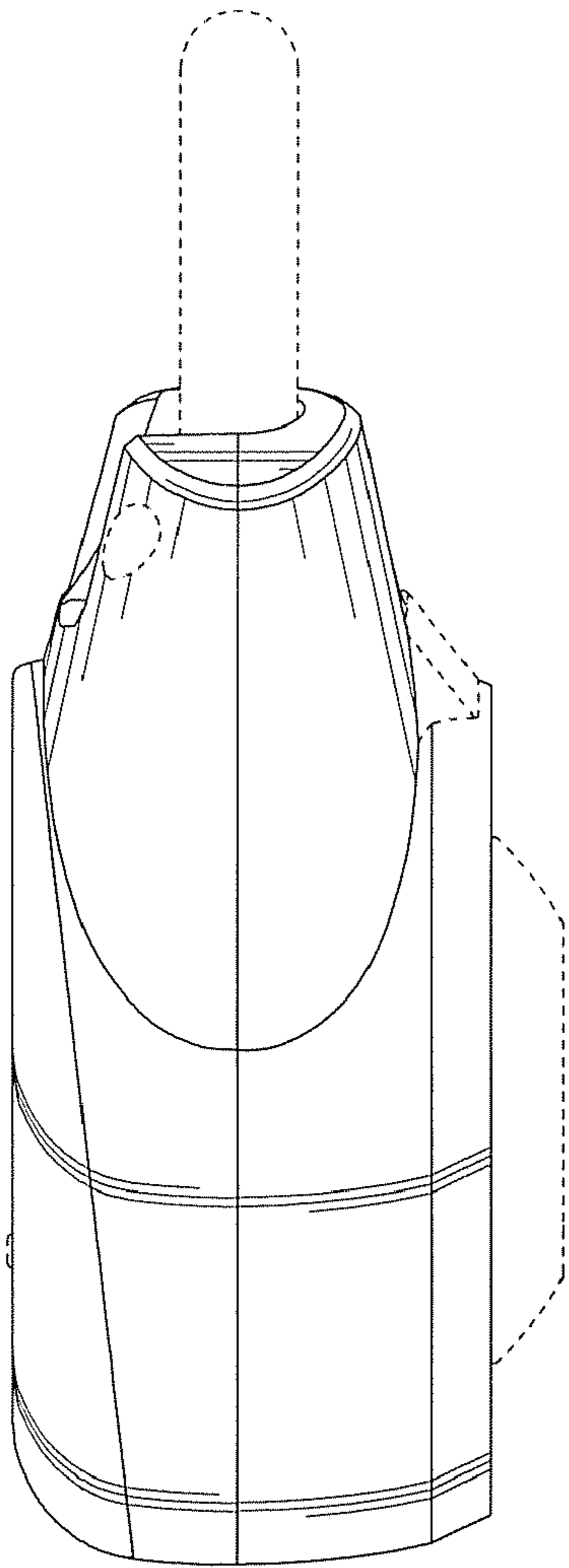
**FIG. 3**



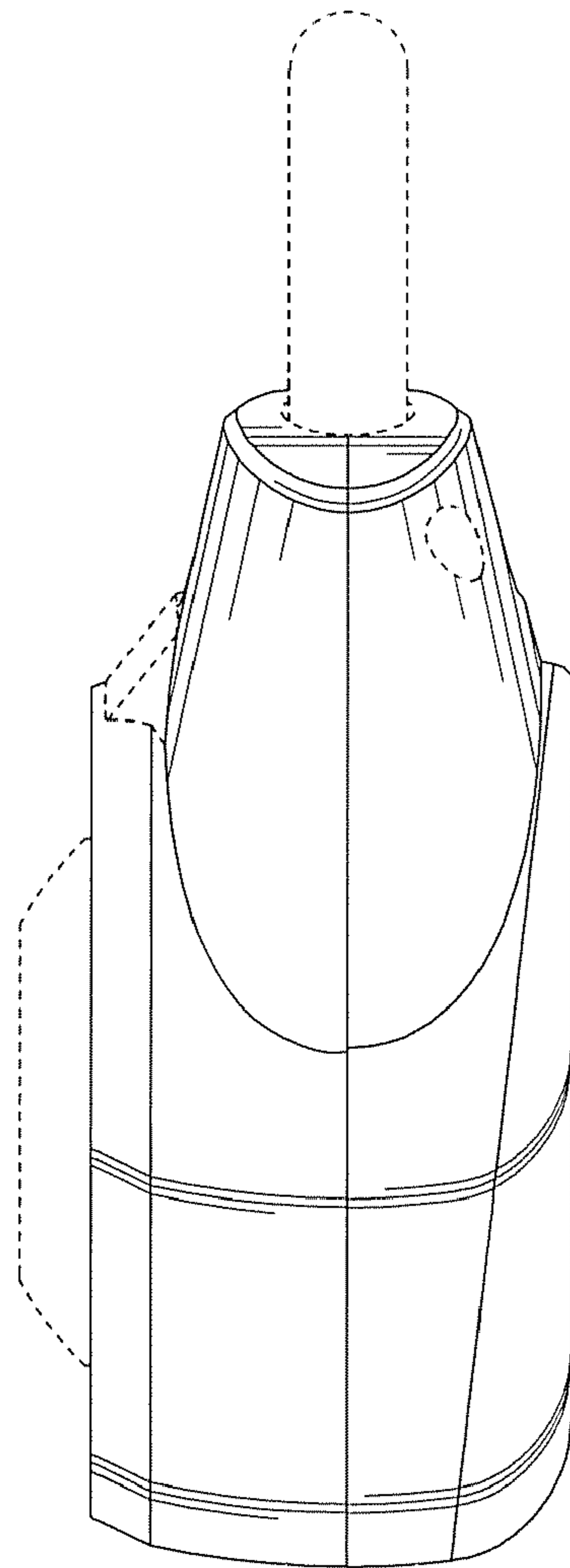
**FIG. 4**



**FIG. 5**



**FIG. 6**



**FIG. 7**