



US00D573870S

(12) **United States Design Patent**
Hacker

(10) **Patent No.:** **US D573,870 S**
(45) **Date of Patent:** **** Jul. 29, 2008**

(54) **DEADBOLT BUTTON**

(75) Inventor: **Dean D. Hacker**, Oak Creek, WI (US)

(73) Assignee: **Master Lock Company LLC**, Oak Creek, WI (US)

(**) Term: **14 Years**

(21) Appl. No.: **29/297,111**

(22) Filed: **Nov. 5, 2007**

Related U.S. Application Data

(62) Division of application No. 29/253,531, filed on Feb. 8, 2006, now Pat. No. Des. 563,764.

(51) **LOC (8) Cl.** **08-07**

(52) **U.S. Cl.** **D8/331**

(58) **Field of Classification Search** D8/300-312, D8/330-348; 70/57, 63, 78, 84, 99, 101, 70/141, 208, 257, 278.2, 278.7, 207, 134, 70/107, 279.1, 283, 215, 224, 370; 292/347, 292/336.3, DIG. 31, 175, 95, 111
See application file for complete search history.

(56) **References Cited**

U.S. PATENT DOCUMENTS

5,072,976 A * 12/1991 Meszaros 292/207
5,087,090 A 2/1992 Humphrey et al.

5,901,590 A * 5/1999 Lai 70/416
D433,920 S * 11/2000 Chang D8/331
D563,764 S * 3/2008 Hacker D8/331
2003/0041633 A1 * 3/2003 Britz et al. 70/134
2005/0144994 A1 * 7/2005 Lies et al. 70/278.2

* cited by examiner

Primary Examiner—Mitchell I Siegel

(74) *Attorney, Agent, or Firm*—Calfee, Halter & Griswold LLP

(57) **CLAIM**

I claim an ornamental design for a deadbolt button, as shown and described.

DESCRIPTION

FIG. 1 is a perspective view of a button of the new design;

FIG. 2 is a front side view of the button of FIG. 1;

FIG. 3 is a rear side view of the button of FIG. 1;

FIG. 4 is a top view of the button of FIG. 1;

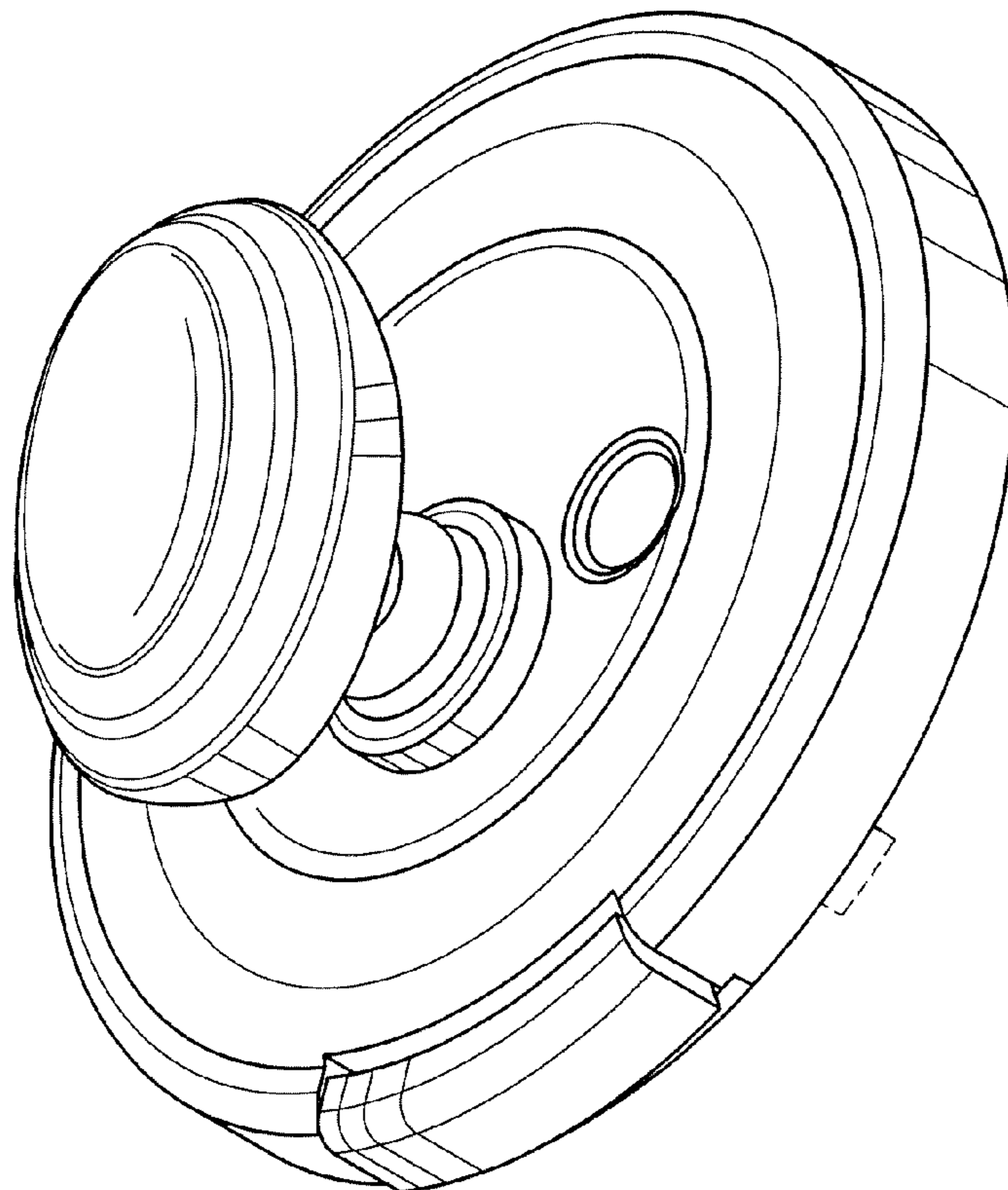
FIG. 5 is a bottom view of the button of FIG. 1;

FIG. 6 is a left side view of the button of FIG. 1; and,

FIG. 7 is a right side view of the button of FIG. 1.

The broken line showing is included for the purpose of illustrating and forms no part of the claimed design.

1 Claim, 4 Drawing Sheets



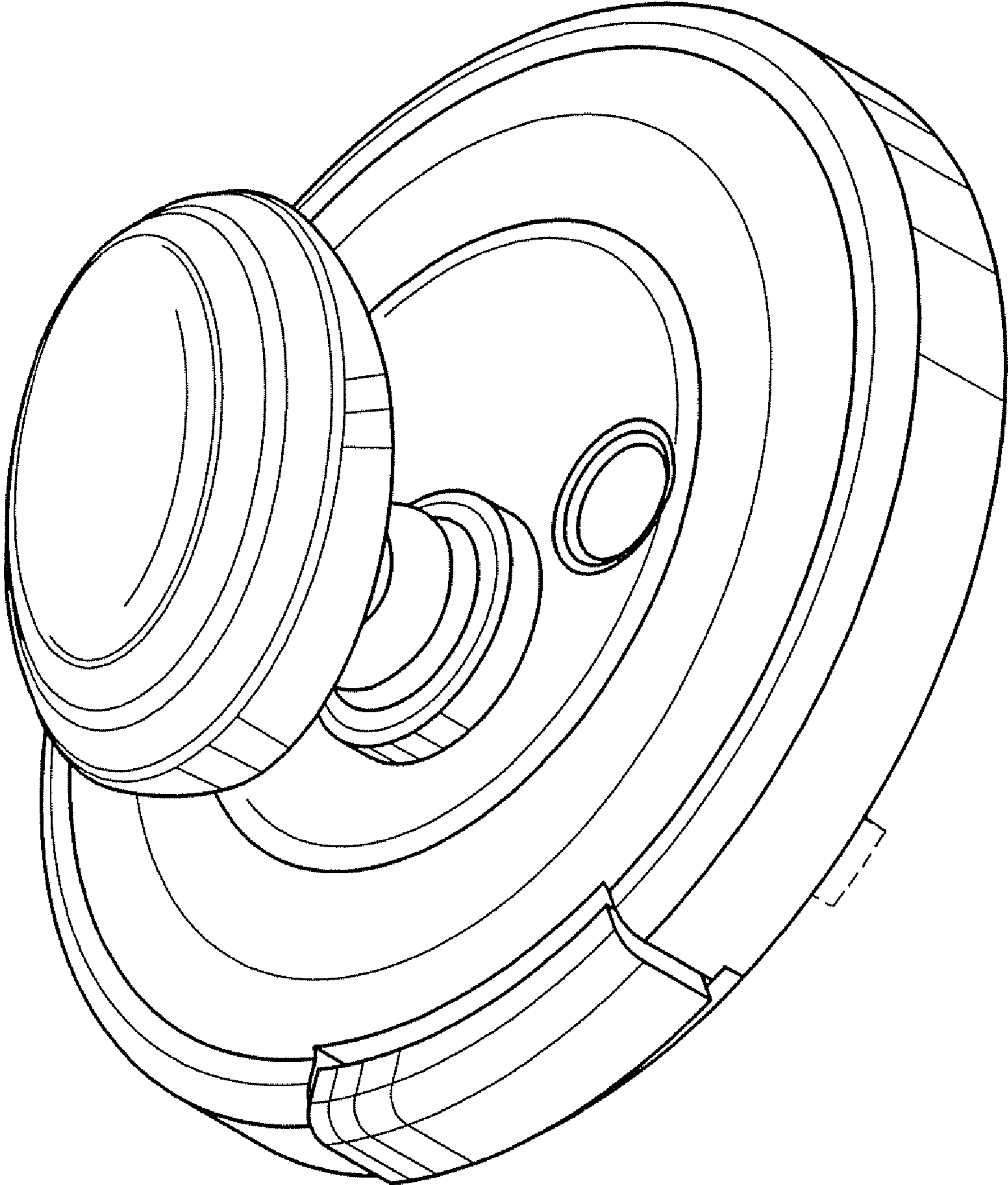


FIG. 1

FIG. 2

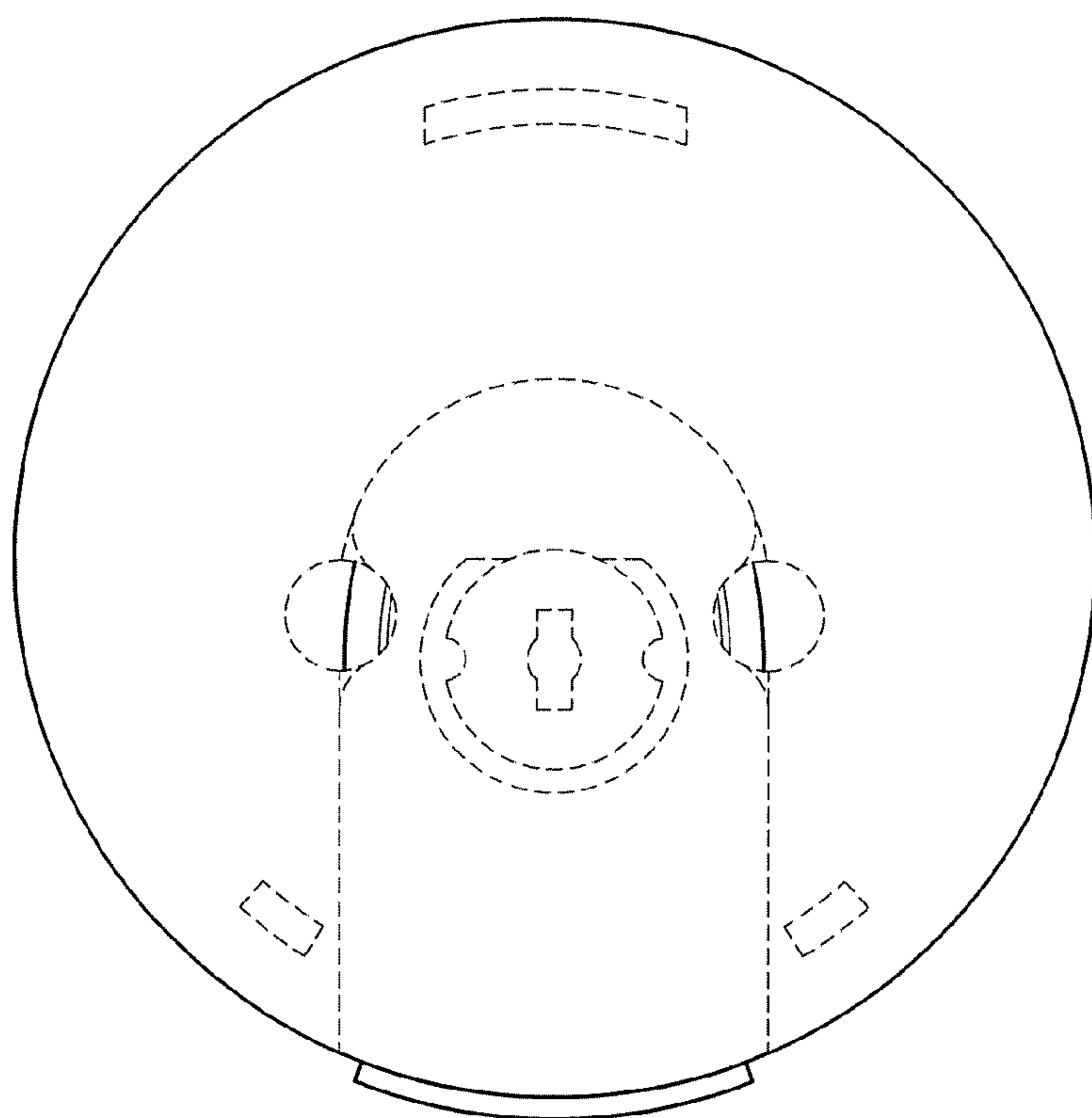
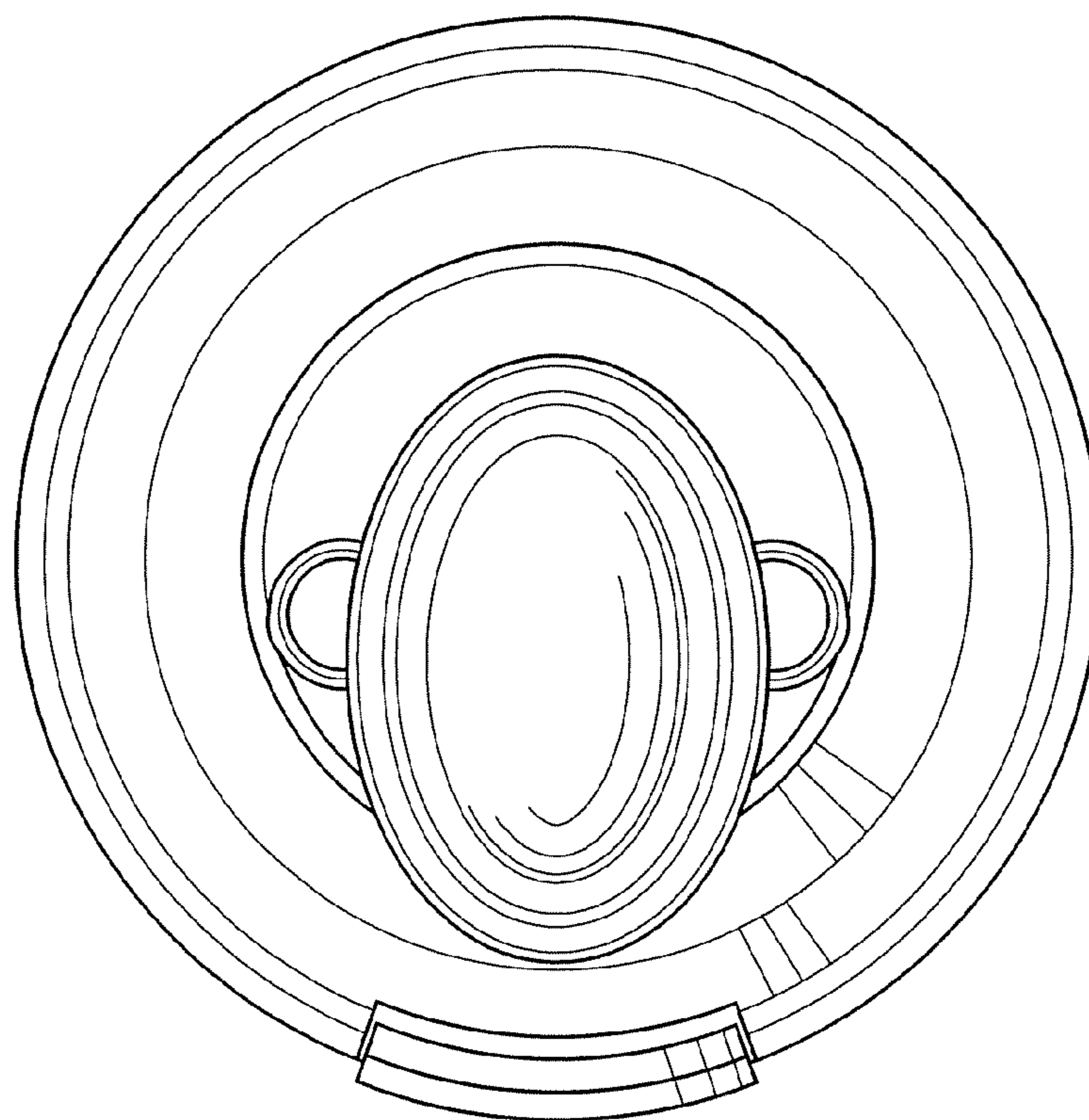


FIG. 3

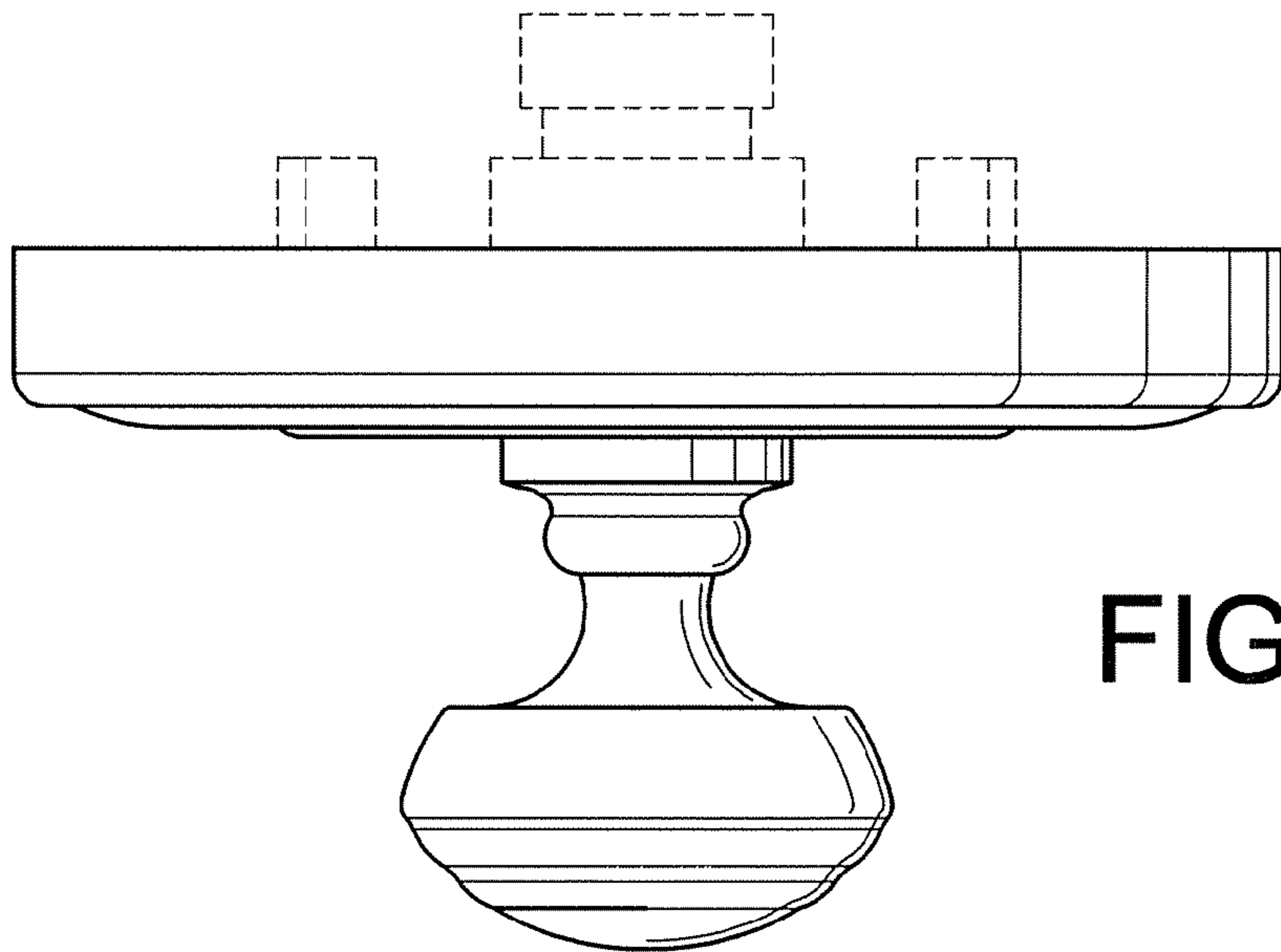


FIG. 4

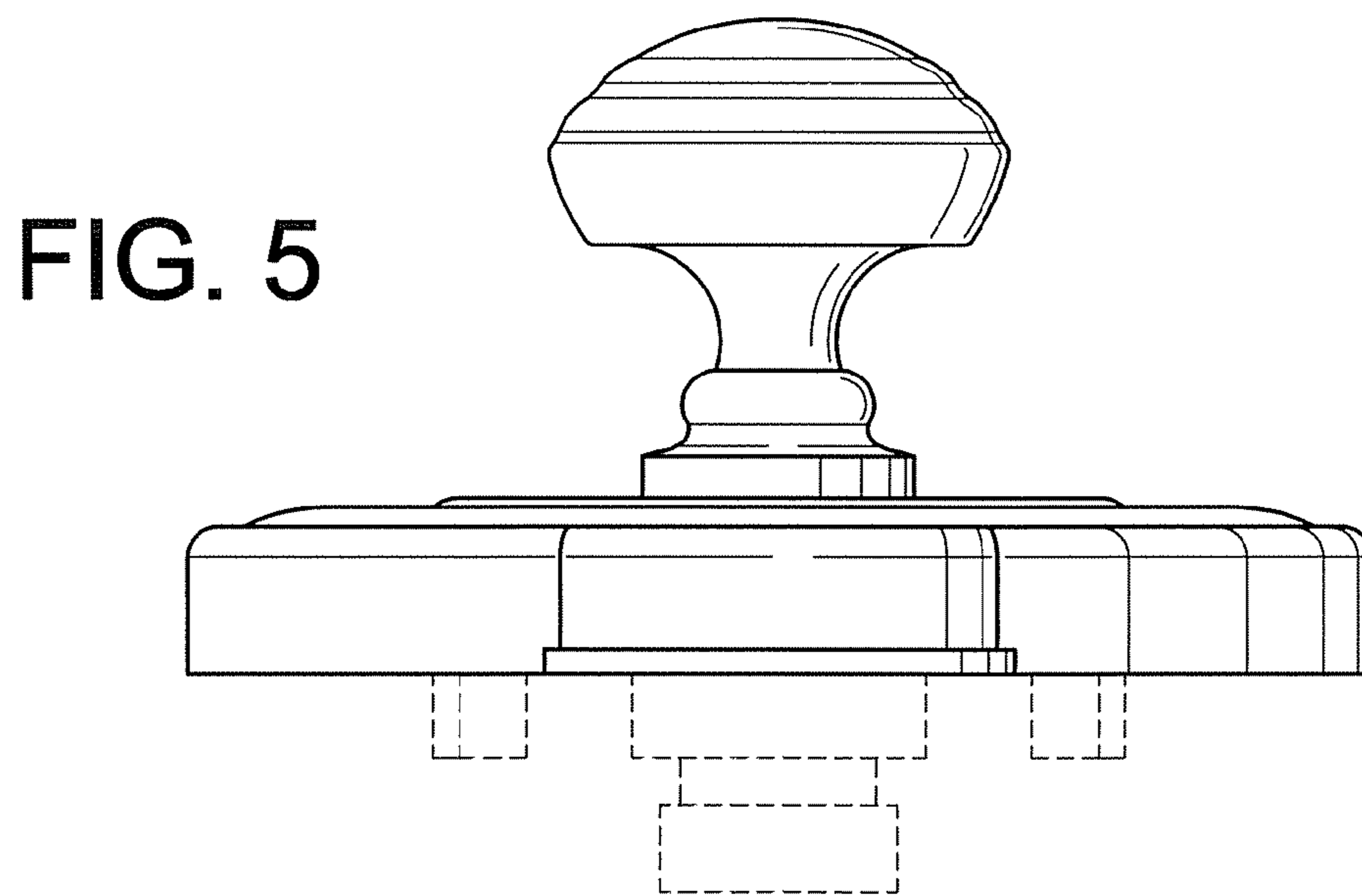


FIG. 5

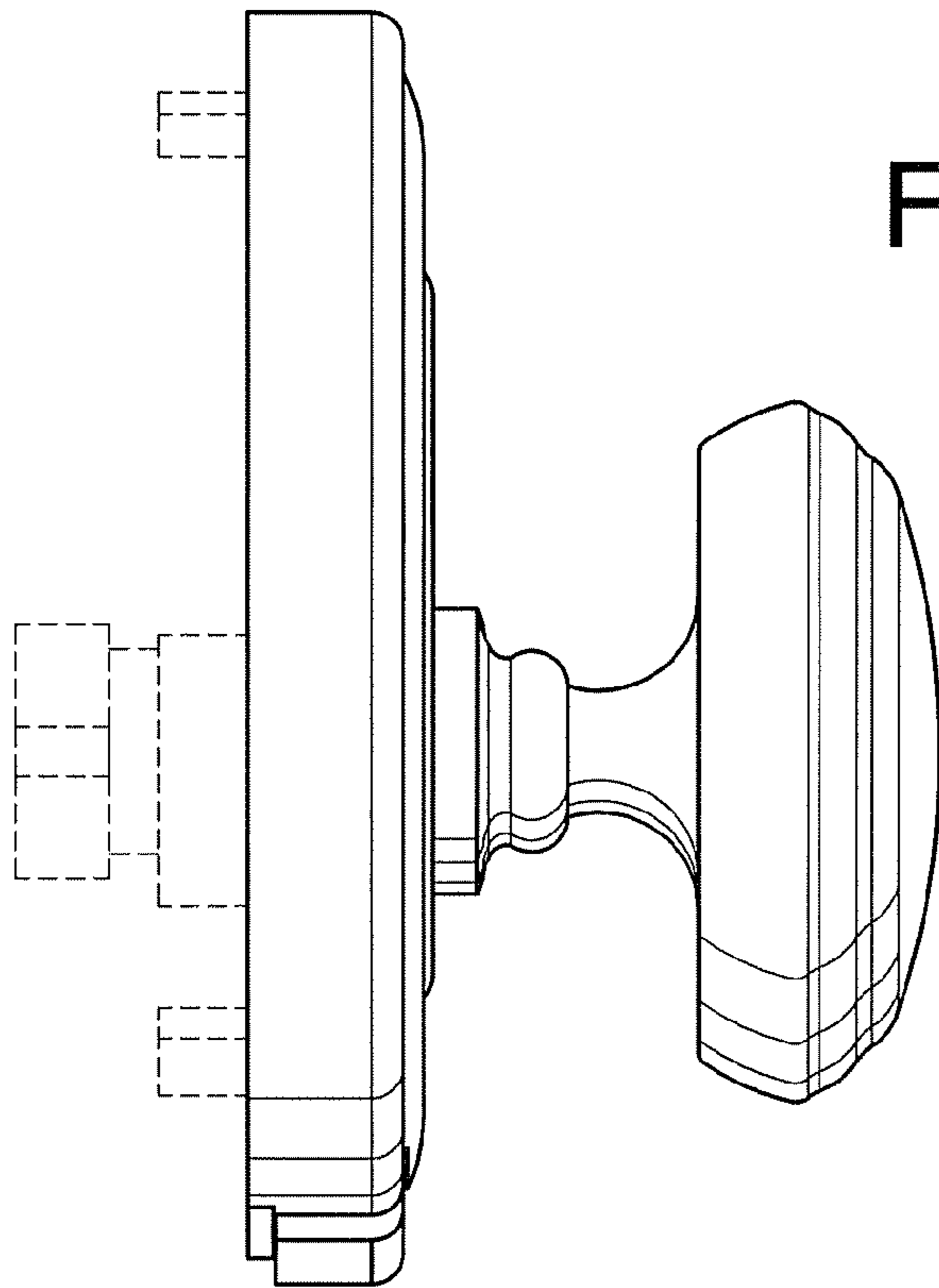


FIG. 6

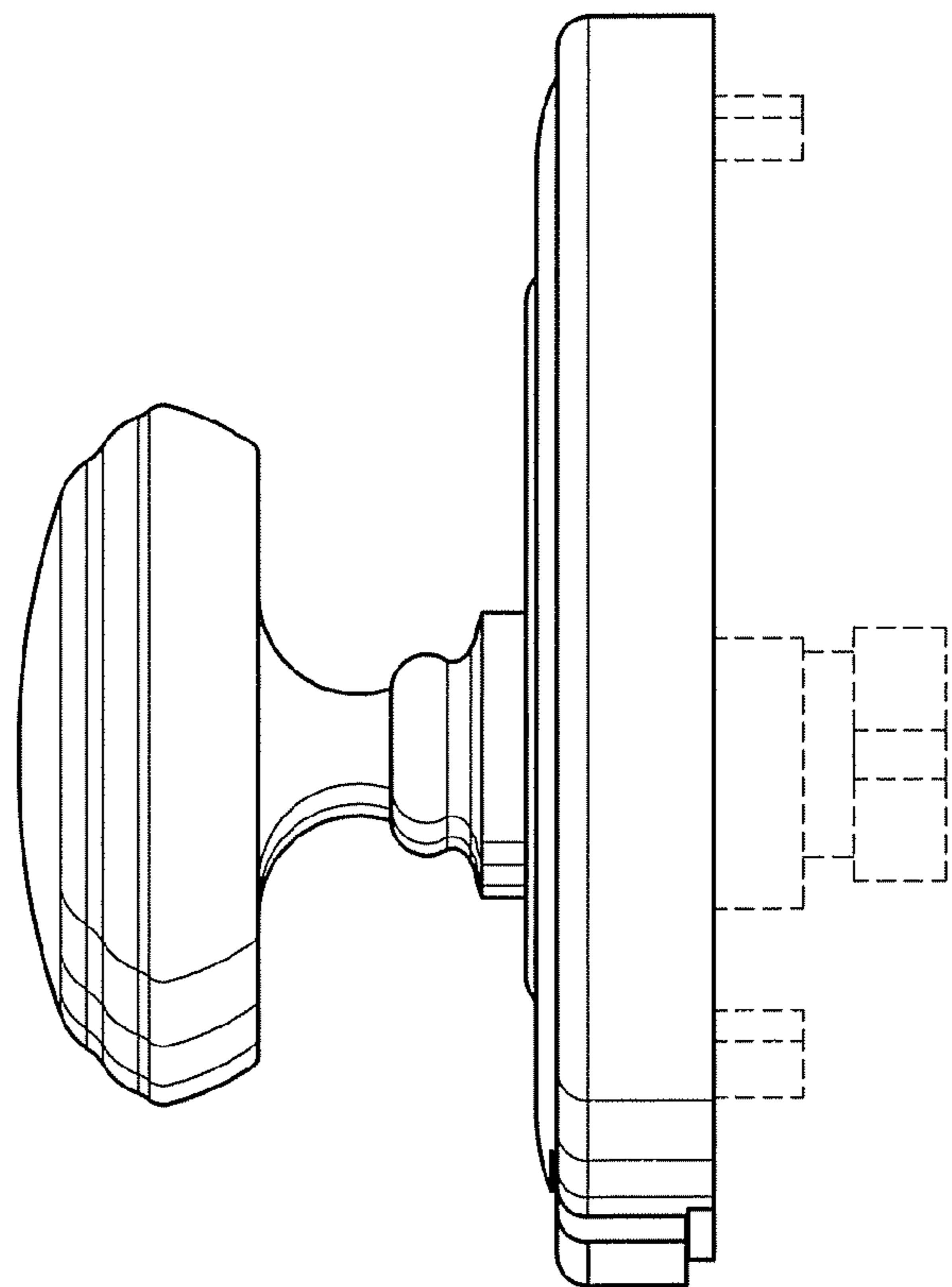


FIG. 7