



US00D573866S

(12) **United States Design Patent**
Smith

(10) **Patent No.:** **US D573,866 S**
(45) **Date of Patent:** **** Jul. 29, 2008**

(54) **TOOL GRIP**

D486,053 S * 2/2004 Jimenez D8/97

(76) **Inventor:** **John I. Smith**, 13003 Eby La., Overland Park, KS (US) 66213

* cited by examiner

Primary Examiner—Alan P. Douglas

Assistant Examiner—Barbara Fox

(74) *Attorney, Agent, or Firm*—Lathrop & Gage LC

(**) **Term:** **14 Years**

(57) **CLAIM**

(21) **Appl. No.:** **29/237,879**

The ornamental design for a tool grip, as shown and described.

(22) **Filed:** **Sep. 8, 2005**

(51) **LOC (8) Cl.** **08-05**

(52) **U.S. Cl.** **D8/107**

(58) **Field of Classification Search** D8/1,
D8/10, 11, 14, 75–78, 80, 107; 16/11 R,
16/436; 81/19–26

See application file for complete search history.

DESCRIPTION

FIG. 1 is a perspective view of a tool grip, showing the new design;

FIG. 2 is a left side view of the tool grip of FIG. 1;

FIG. 3 is a front view of the tool grip of FIG. 1;

FIG. 4 is a back view of the tool grip of FIG. 1;

FIG. 5 is a right side view of the tool grip of FIG. 1;

FIG. 6 is a top view of the tool grip of FIG. 1; and,

FIG. 7 is a bottom view of the tool grip of FIG. 1.

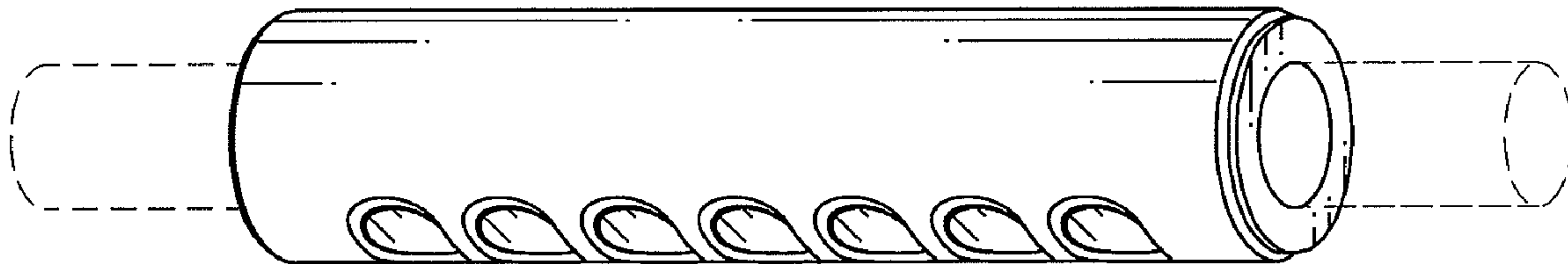
The broken line showing of “tool grip” is included for the purpose of illustrating portions of the article and forms no part of the claimed design.

(56) **References Cited**

U.S. PATENT DOCUMENTS

D179,018	S	*	10/1956	Lowe et al.	D8/77
2,963,930	A	*	12/1960	Clothier et al.	81/177.2
4,964,192	A	*	10/1990	Marui	16/421
5,109,737	A	*	5/1992	Raber	81/177.2
D439,488	S	*	3/2001	Chen	D8/78
6,564,681	B2	*	5/2003	Coulter	81/487
D478,267	S	*	8/2003	Chen	D8/80

1 Claim, 1 Drawing Sheet



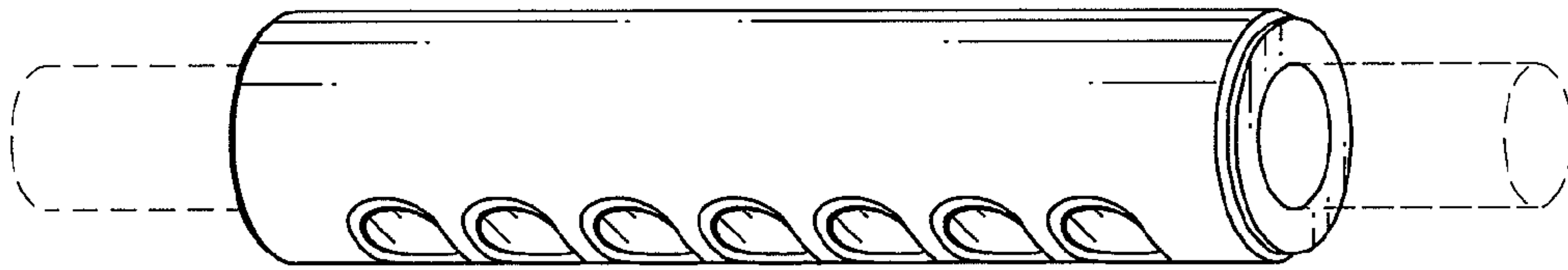


FIG. 1

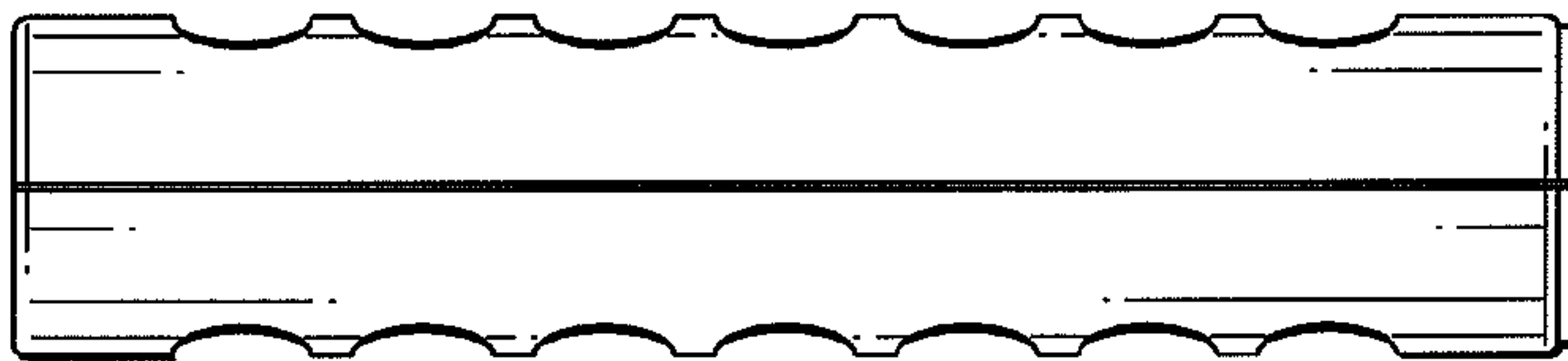


FIG. 2

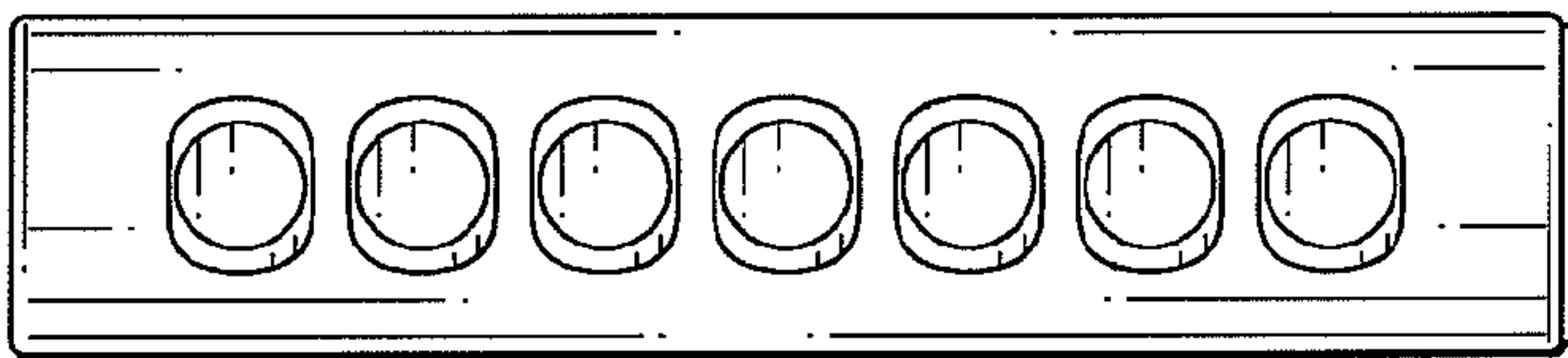


FIG. 3

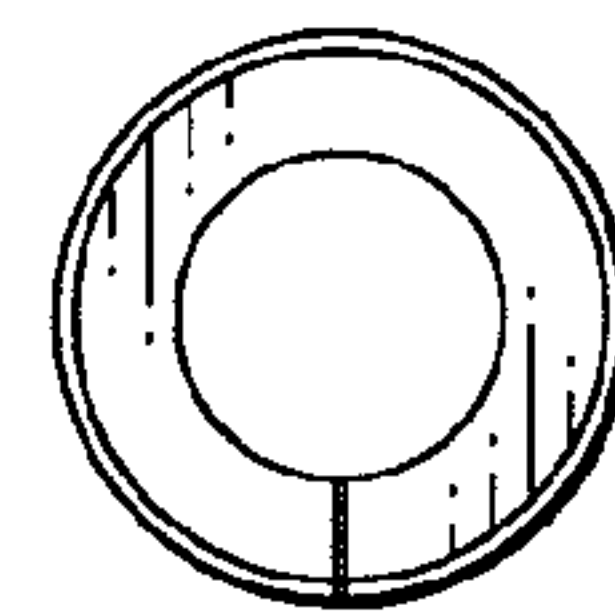


FIG. 6

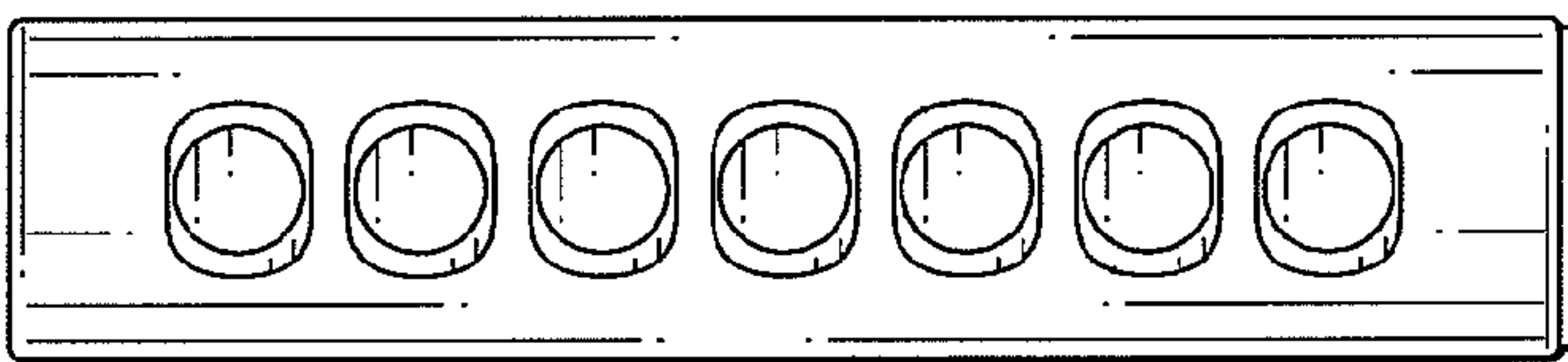


FIG. 4

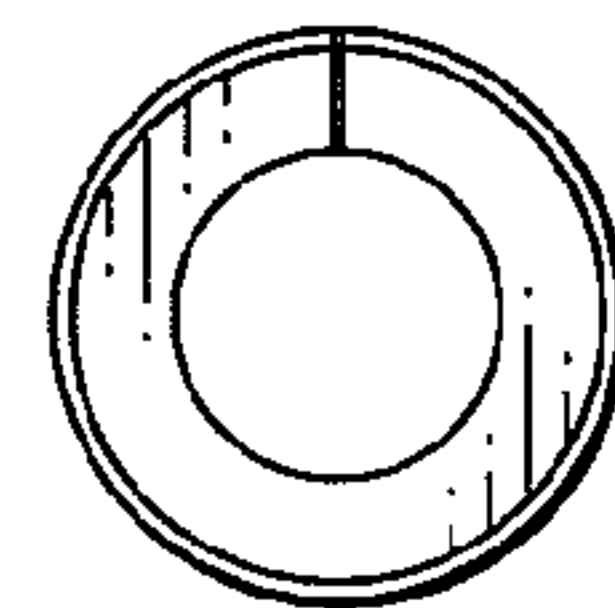


FIG. 7

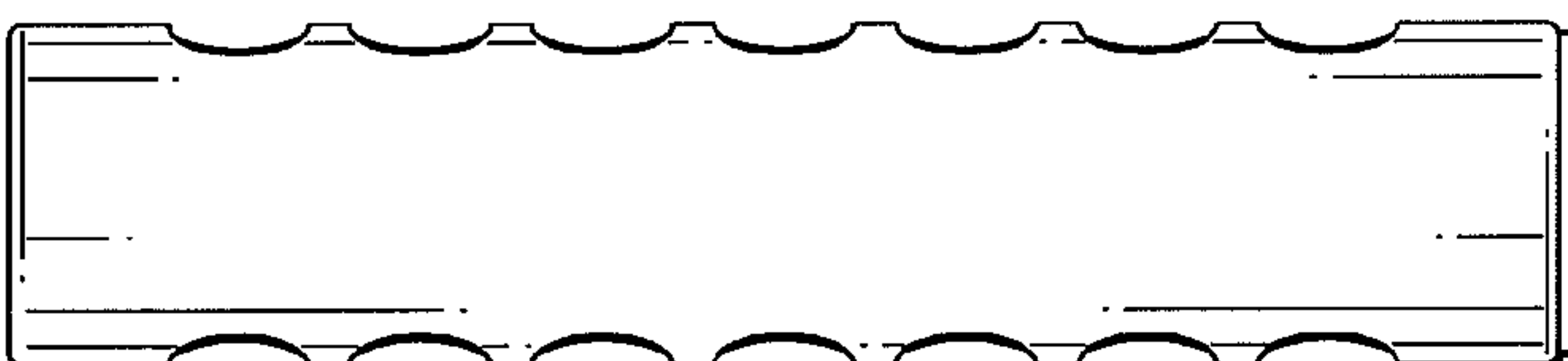


FIG. 5