



US00D573863S

(12) **United States Design Patent**  
**Arvinte et al.**

(10) **Patent No.:** **US D573,863 S**  
(45) **Date of Patent:** **\*\* Jul. 29, 2008**

(54) **COMBINATION SCRAPER AND SCREWDRIVER**  
(75) Inventors: **Romeo Arvinte**, Ville St.-Laurent (CA);  
**Francois Panfli**, Berthierville (CA)

(73) Assignee: **A. Richard S.E.N.C.**, Berthierville,  
Quebec (CA)

(\*\*) Term: **14 Years**

(21) Appl. No.: **29/285,871**

(22) Filed: **Apr. 12, 2007**

(51) **LOC (8) Cl.** ..... **08-04**

(52) **U.S. Cl.** ..... **D8/87; D32/48**

(58) **Field of Classification Search** ..... D8/14,  
D8/45, 87, 105; D32/46, 48; 7/105, 165;  
30/169; 81/177.1

See application file for complete search history.

(56) **References Cited**

**U.S. PATENT DOCUMENTS**

3,774,252	A *	11/1973	Cantales	7/105
5,251,352	A *	10/1993	Cullison	7/105
D380,661	S *	7/1997	Lehmann	D8/87
5,720,063	A *	2/1998	Chacon	7/165
5,870,786	A *	2/1999	Papadopoulos	7/105
6,006,384	A *	12/1999	Toal	7/105
6,131,222	A *	10/2000	Anderson et al.	7/105
6,272,708	B1 *	8/2001	Chen	7/105

6,530,098	B1 *	3/2003	Gringer et al.	7/105
6,662,521	B1 *	12/2003	Escobedo et al.	7/105
6,769,147	B1 *	8/2004	Stubbs	7/105
6,954,958	B2 *	10/2005	Stubbs	7/105

\* cited by examiner

*Primary Examiner*—Philip S Hyder

(74) *Attorney, Agent, or Firm*—Darby & Darby

(57) **CLAIM**

The ornamental design for a combination scraper and screwdriver, as shown and described.

**DESCRIPTION**

FIG. 1 is a top perspective view of a combination scraper and screwdriver showing our new design.

FIG. 2 is a rear view thereof.

FIG. 3 is a top plan view thereof.

FIG. 4 is a bottom plan view thereof.

FIG. 5 is a left elevational side view thereof.

FIG. 6 is a right elevational side view thereof.

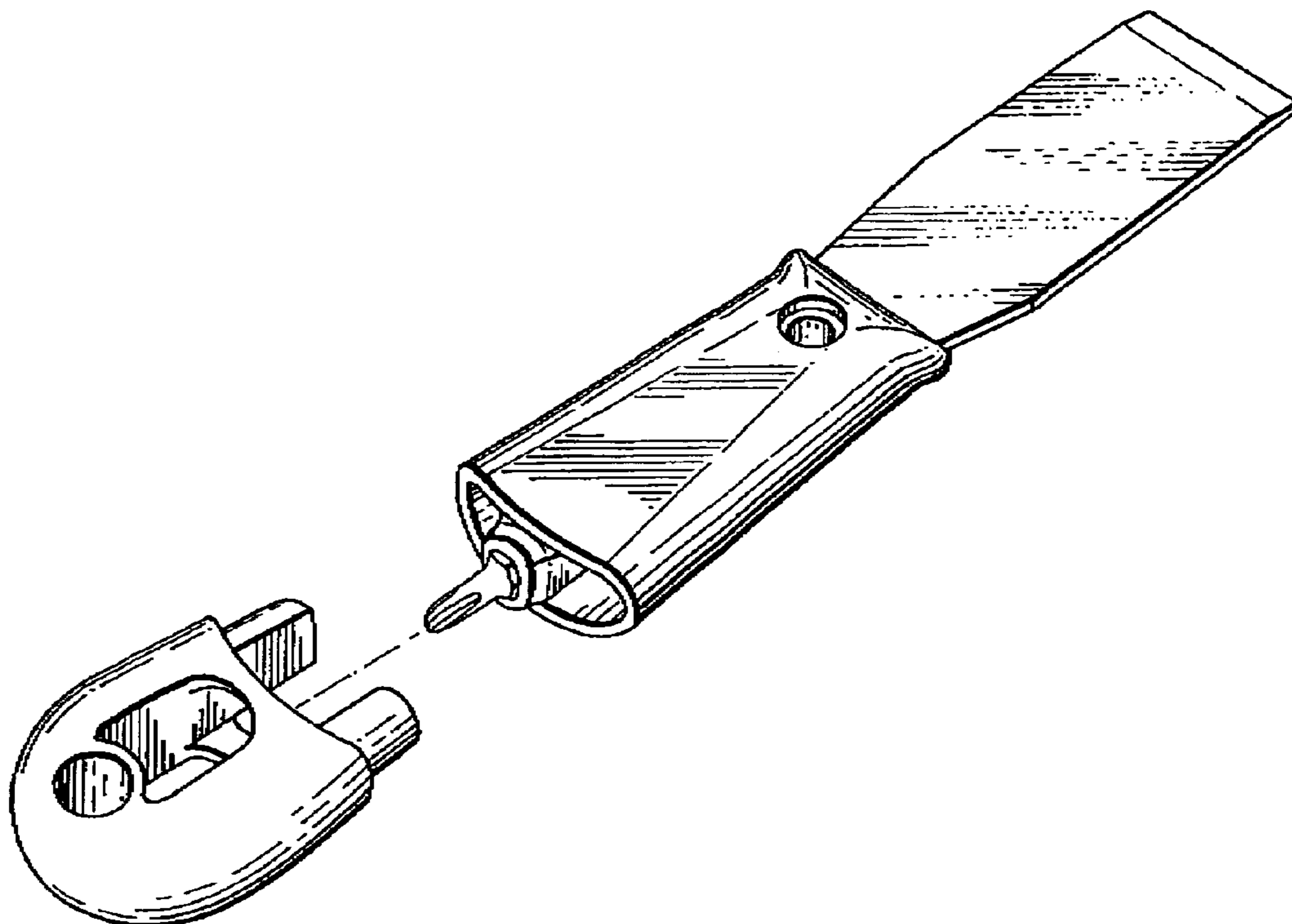
FIG. 7 is a rear elevational view thereof.

FIG. 8 is a front elevational view thereof.

FIG. 9 is another top perspective view thereof, with its cap in a drawn-out configuration; and,

FIG. 10 is a rear view of what is shown in FIG. 9.

**1 Claim, 9 Drawing Sheets**



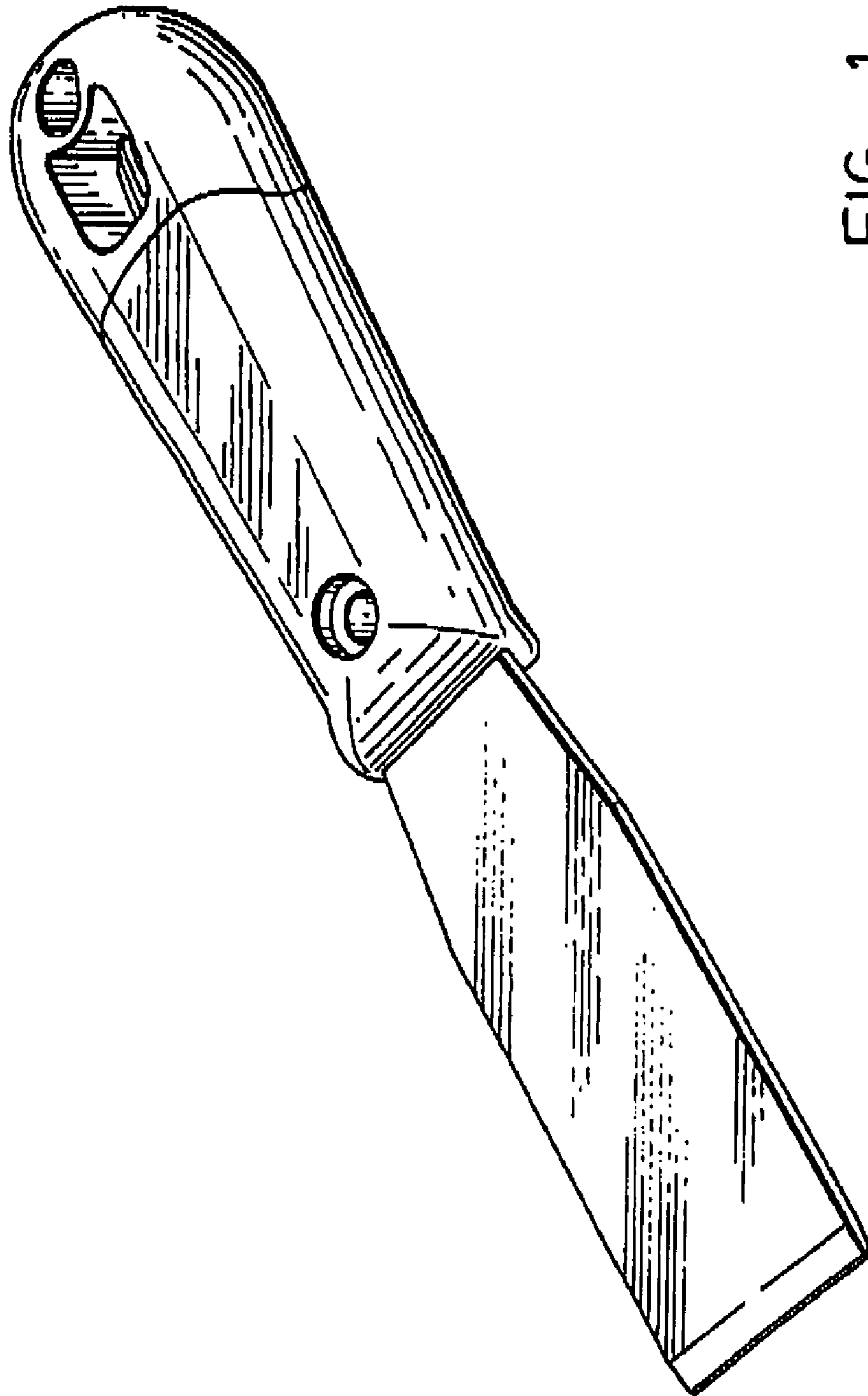


FIG. 1

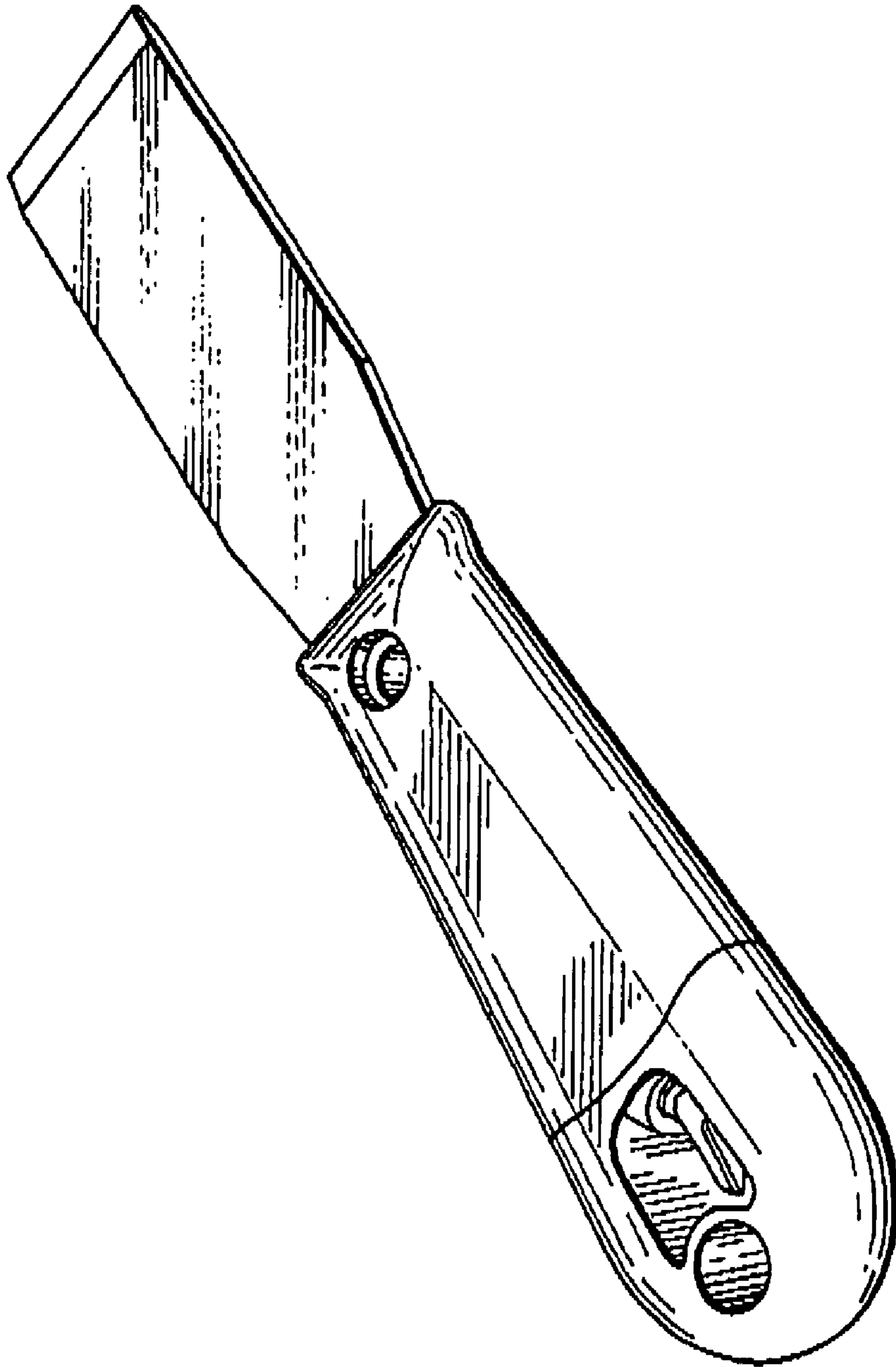


FIG. 2

---

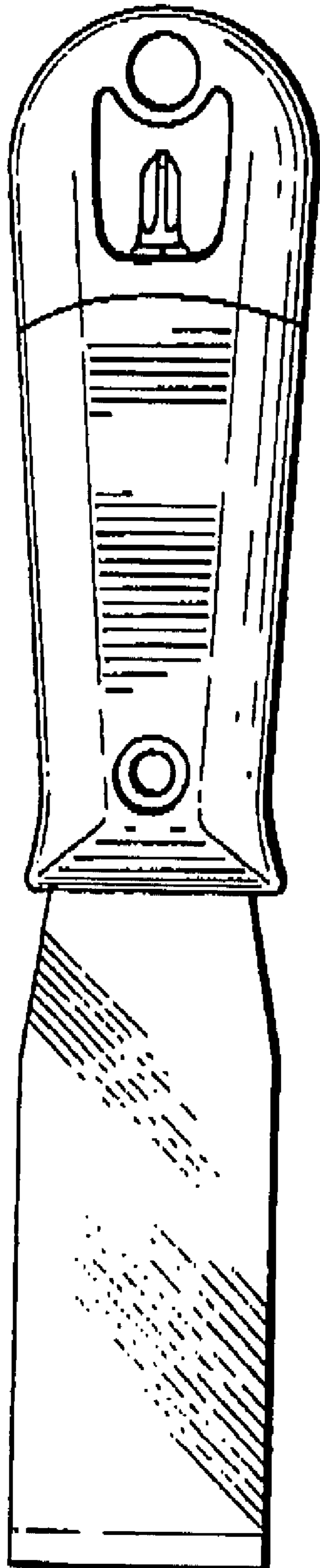


FIG. 3

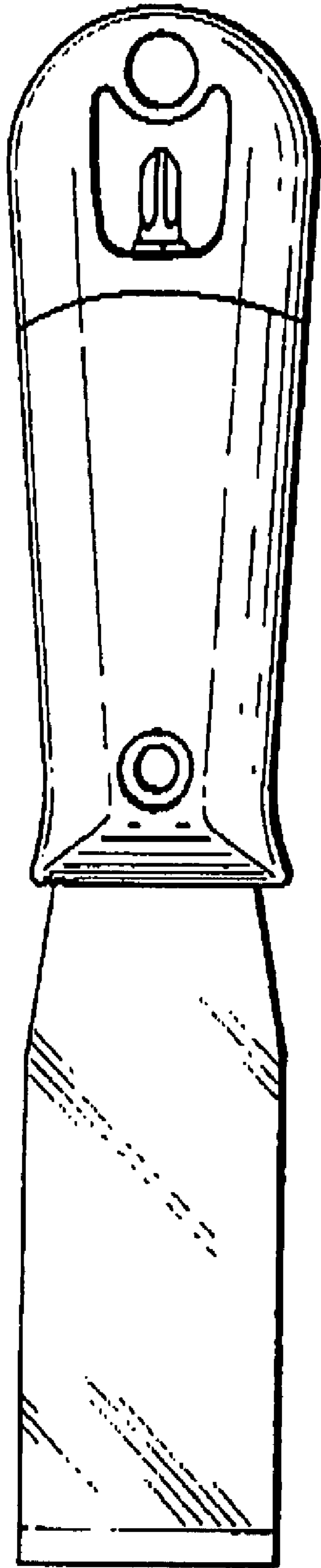


FIG. 4

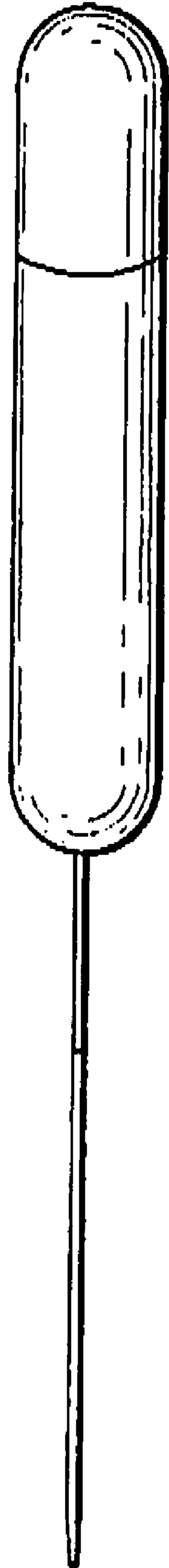


FIG. 5

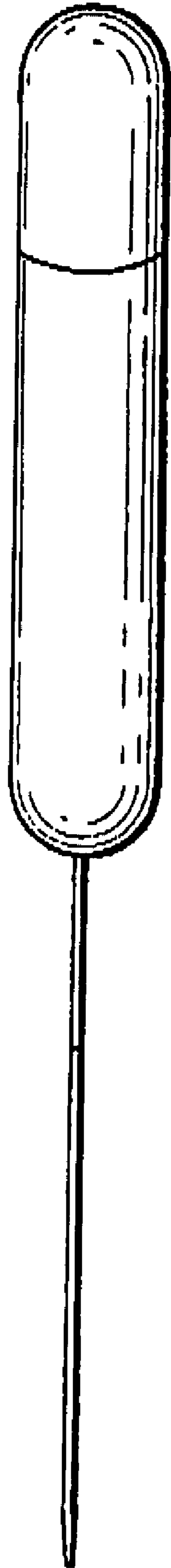


FIG. 6

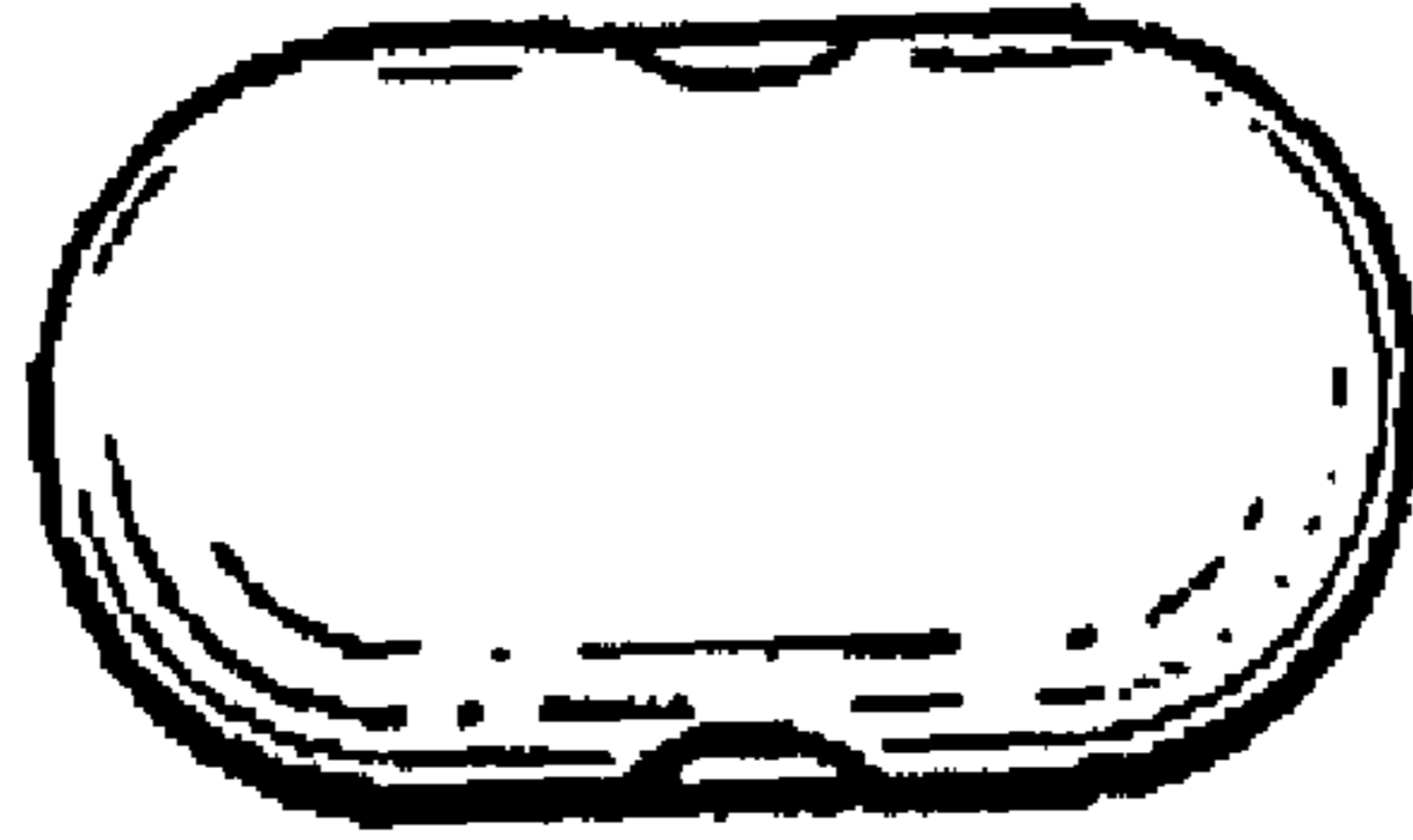


FIG. 7

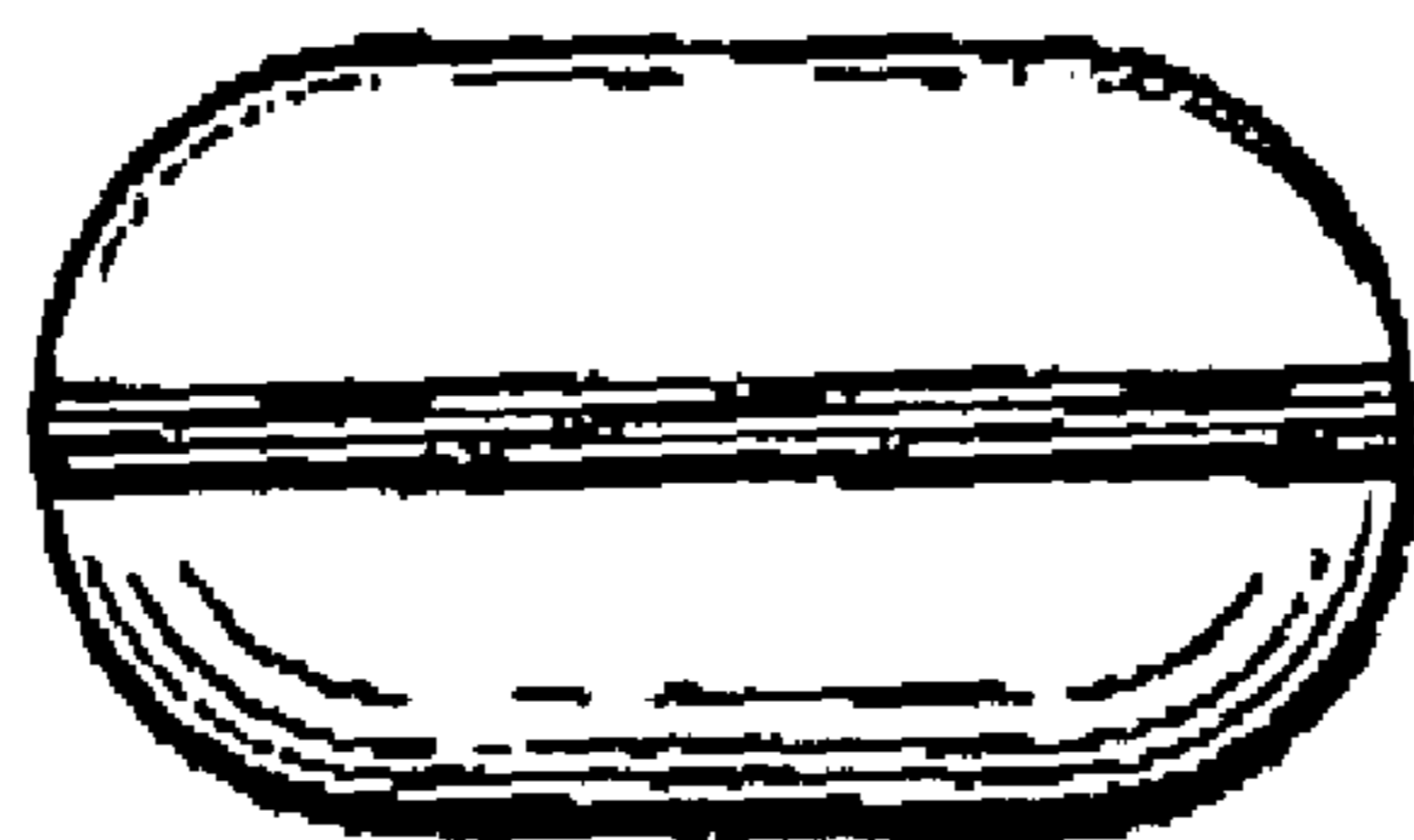


FIG. 8



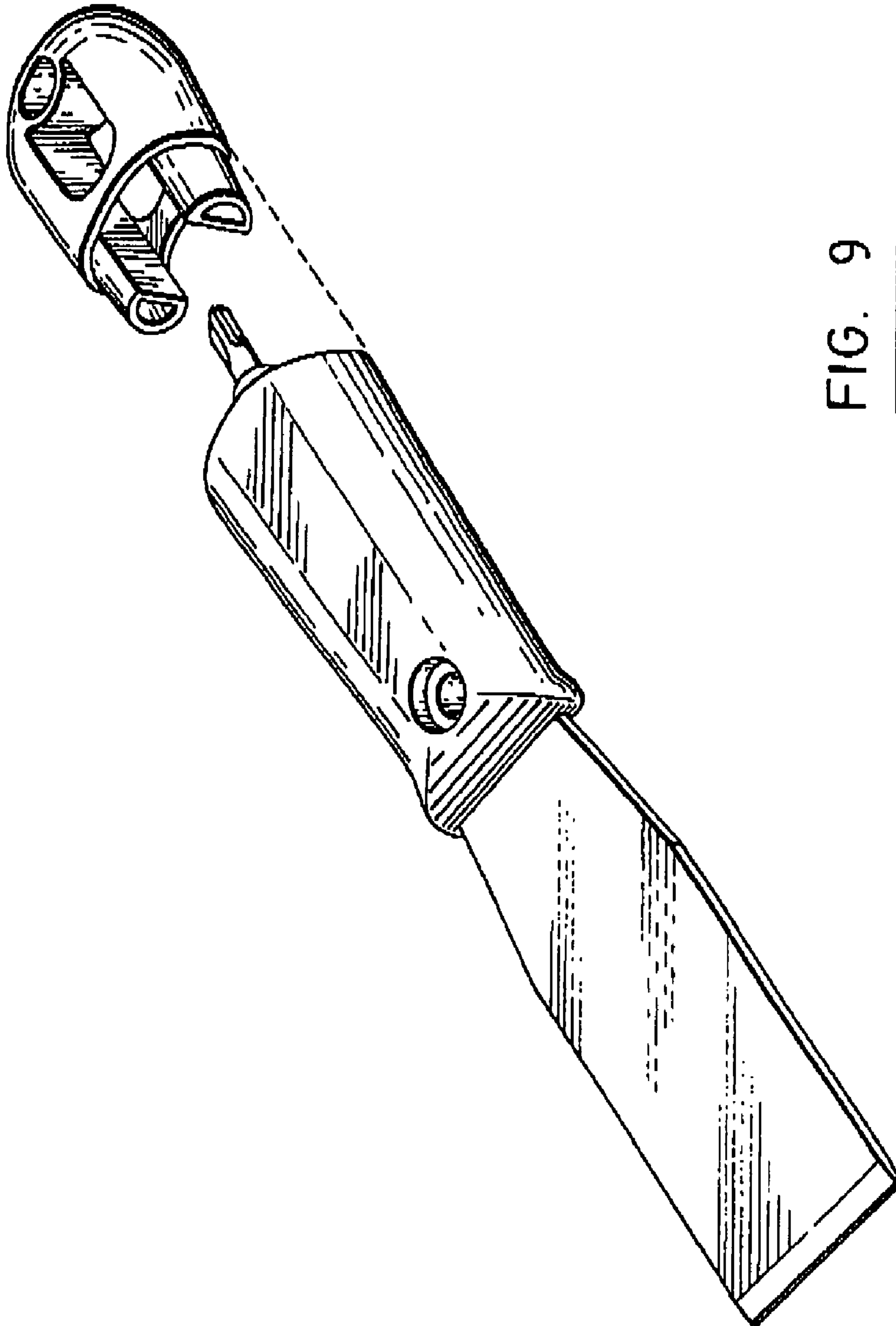


FIG. 9

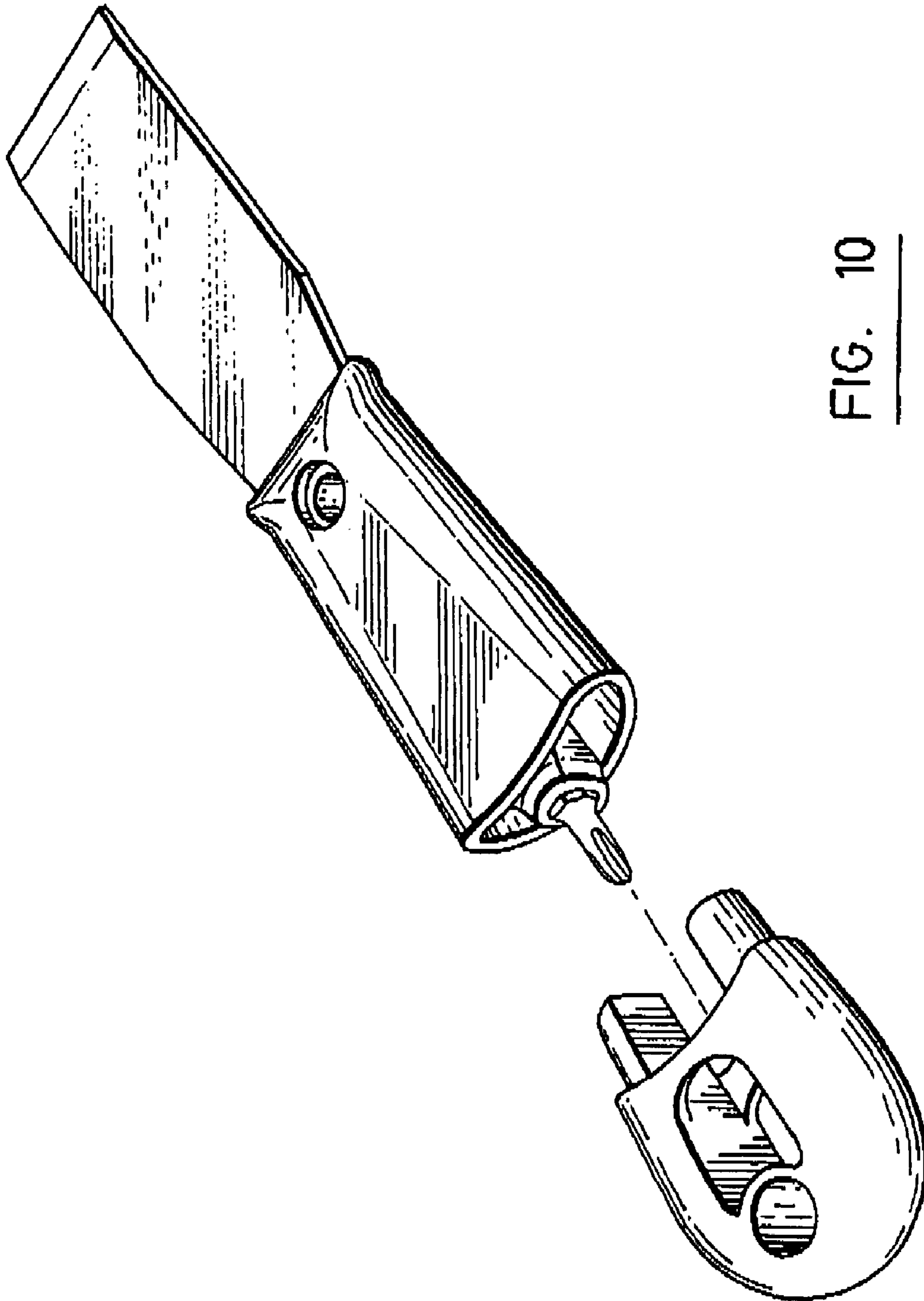


FIG. 10