



US00D573862S

(12) **United States Design Patent**  
**Kao**

(10) **Patent No.:** **US D573,862 S**

(45) **Date of Patent:** **\*\* Jul. 29, 2008**

(54) **TOOL HANDLE WITH BIT STORAGE**

(76) Inventor: **Ta-Wei Kao**, 1Fl., No. 55, Lane 236,  
Sec. 5, Jungshiau E. Rd., Taipei (TW)

(\*\*) Term: **14 Years**

(21) Appl. No.: **29/286,405**

(22) Filed: **May 4, 2007**

(51) **LOC (8) Cl.** ..... **08-04**

(52) **U.S. Cl.** ..... **D8/85; D8/83**

(58) **Field of Classification Search** ..... D8/82,  
D8/83, 84, 85, 86, 87, 105, 107; D3/905;  
81/177.1, 177.4, 177.8, 438, 439, 490; 206/375  
See application file for complete search history.

(56) **References Cited**

**U.S. PATENT DOCUMENTS**

4,440,048	A *	4/1984	Stevens et al.	81/440
4,552,044	A *	11/1985	Corona et al.	81/490
4,762,036	A *	8/1988	Orlitzky et al.	81/437
4,815,346	A *	3/1989	Littlehorn	81/439
5,337,637	A *	8/1994	Bih-Lien	81/439
D415,944	S *	11/1999	Chung	D8/85
6,029,549	A *	2/2000	Baker	81/439
6,032,332	A *	3/2000	Lin	16/111.1
6,332,384	B1 *	12/2001	Cluthe	81/490
6,845,694	B2 *	1/2005	Ping	81/440

7,021,181	B1 *	4/2006	Chi	81/490
7,188,555	B2 *	3/2007	Beauchamp	81/439
2003/0084758	A1 *	5/2003	Chiang	81/490

\* cited by examiner

*Primary Examiner*—Philip S Hyder  
(74) *Attorney, Agent, or Firm*—Pro-Techtor Int'l Services

(57) **CLAIM**

The ornamental design for a tool handle with bit storage, as shown and described.

**DESCRIPTION**

FIG. 1 is a perspective view of a tool handle with bit storage showing my new design;

FIG. 2 is a front elevational view thereof;

FIG. 3 is a rear elevational view thereof;

FIG. 4 is a left side elevational view thereof;

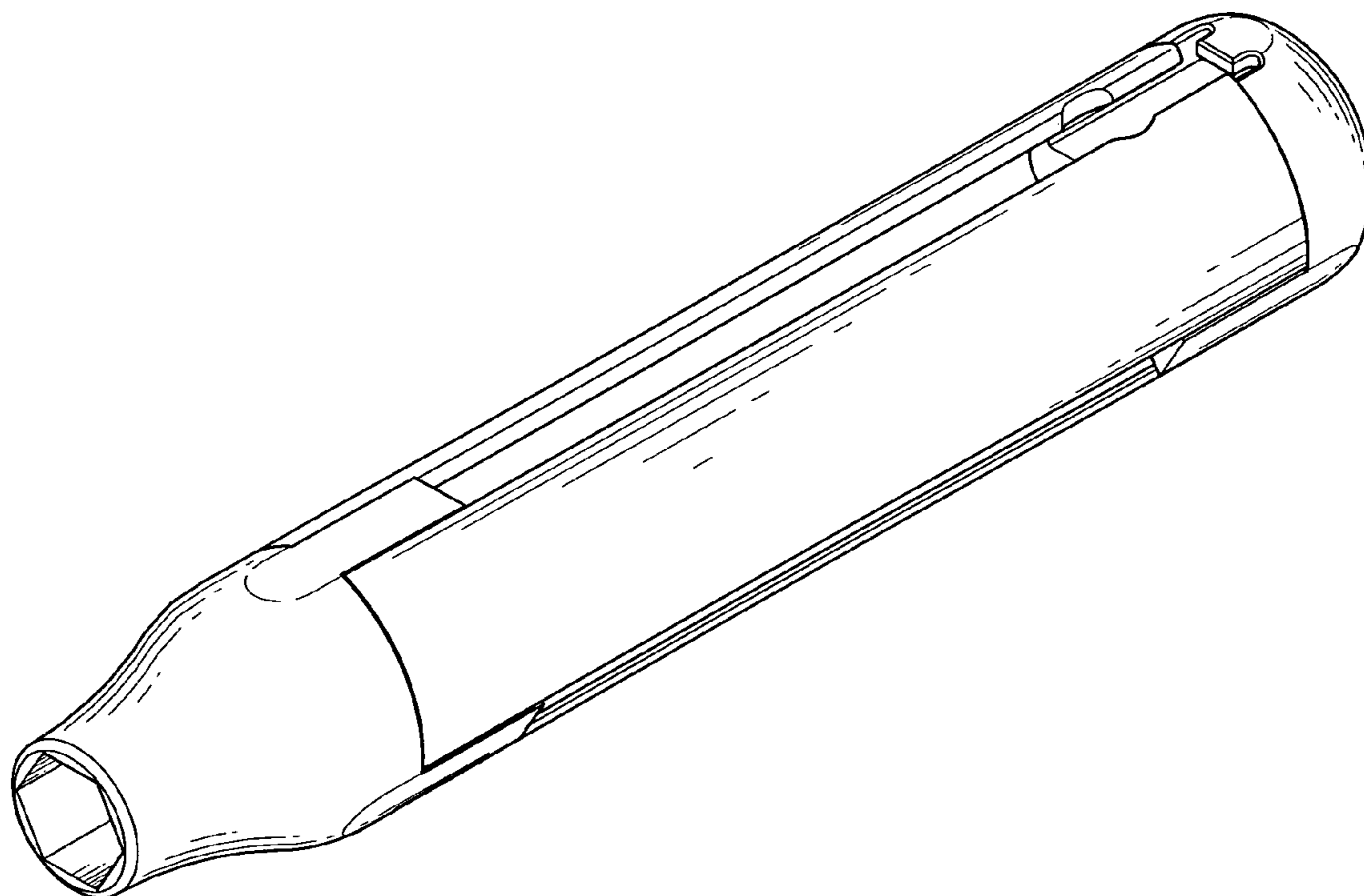
FIG. 5 is a right side elevational view thereof;

FIG. 6 is a top plan view thereof;

FIG. 7 is a bottom plan view thereof; and,

FIG. 8 is a perspective view thereof, wherein the broken line showing of the bit has been included for the purpose of illustrating environmental structure and forms no part of the claimed design.

**1 Claim, 7 Drawing Sheets**



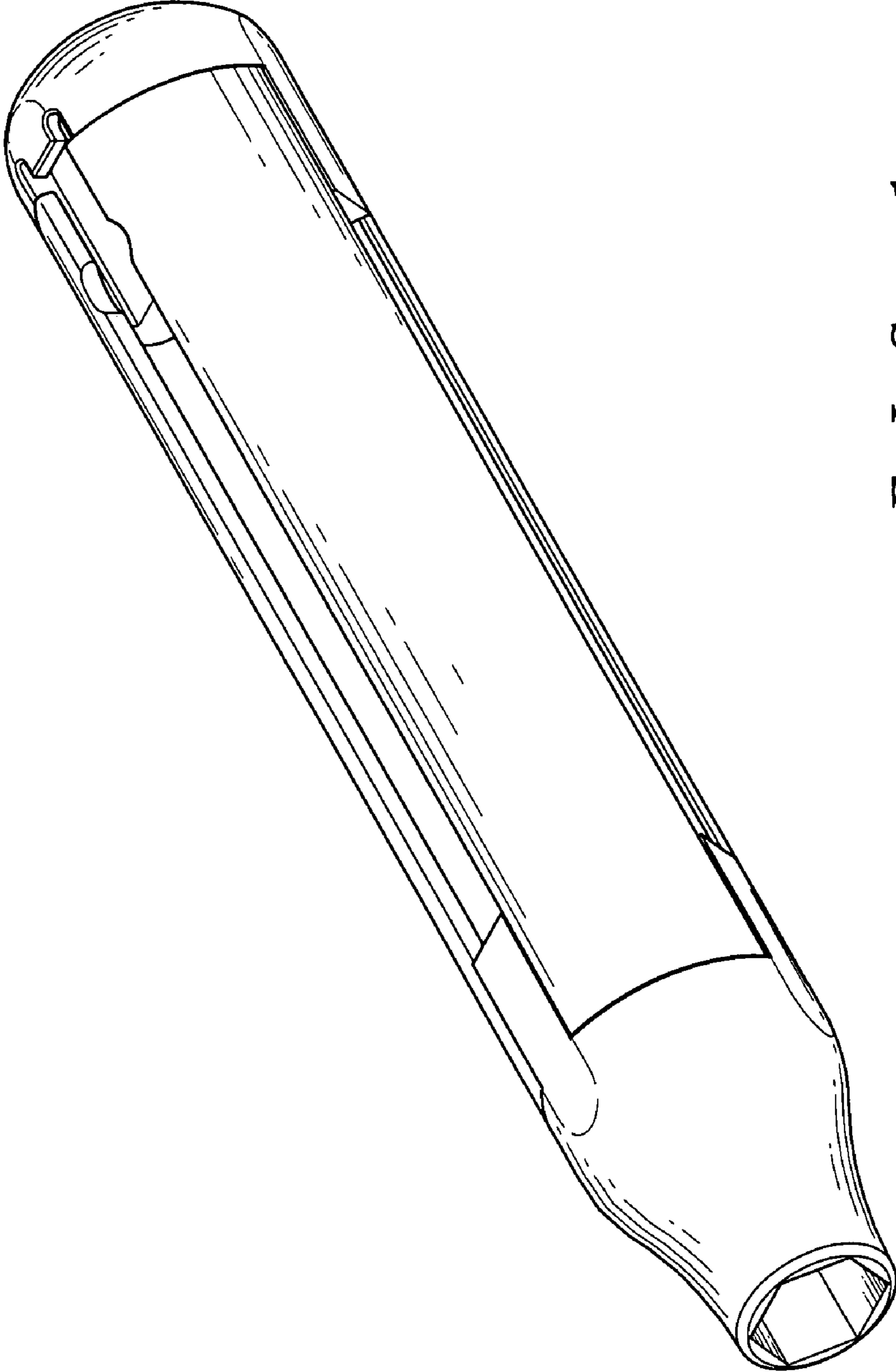


FIG. 1

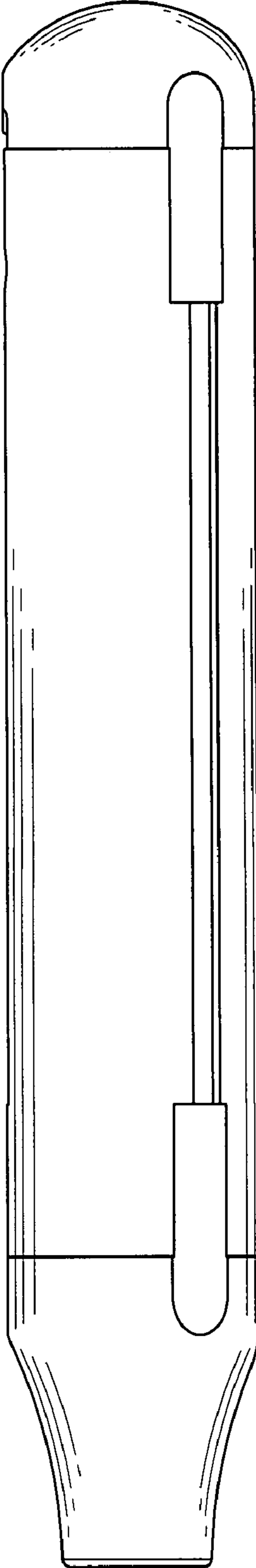


FIG. 2

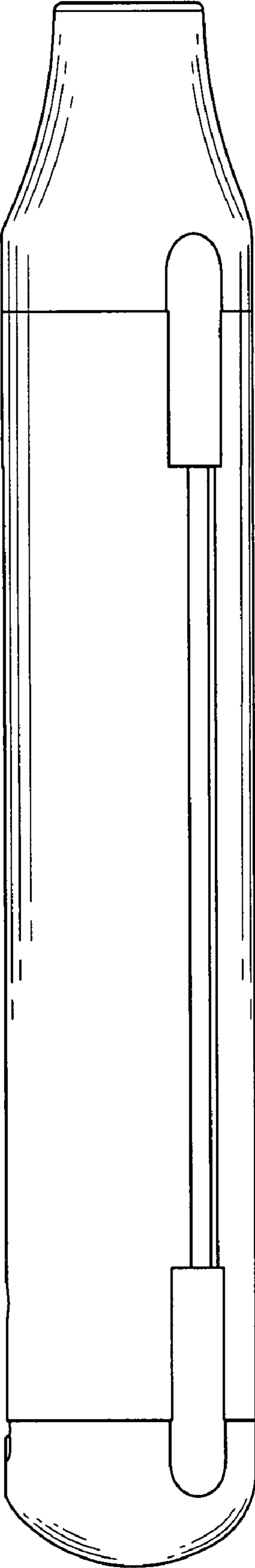


FIG. 3

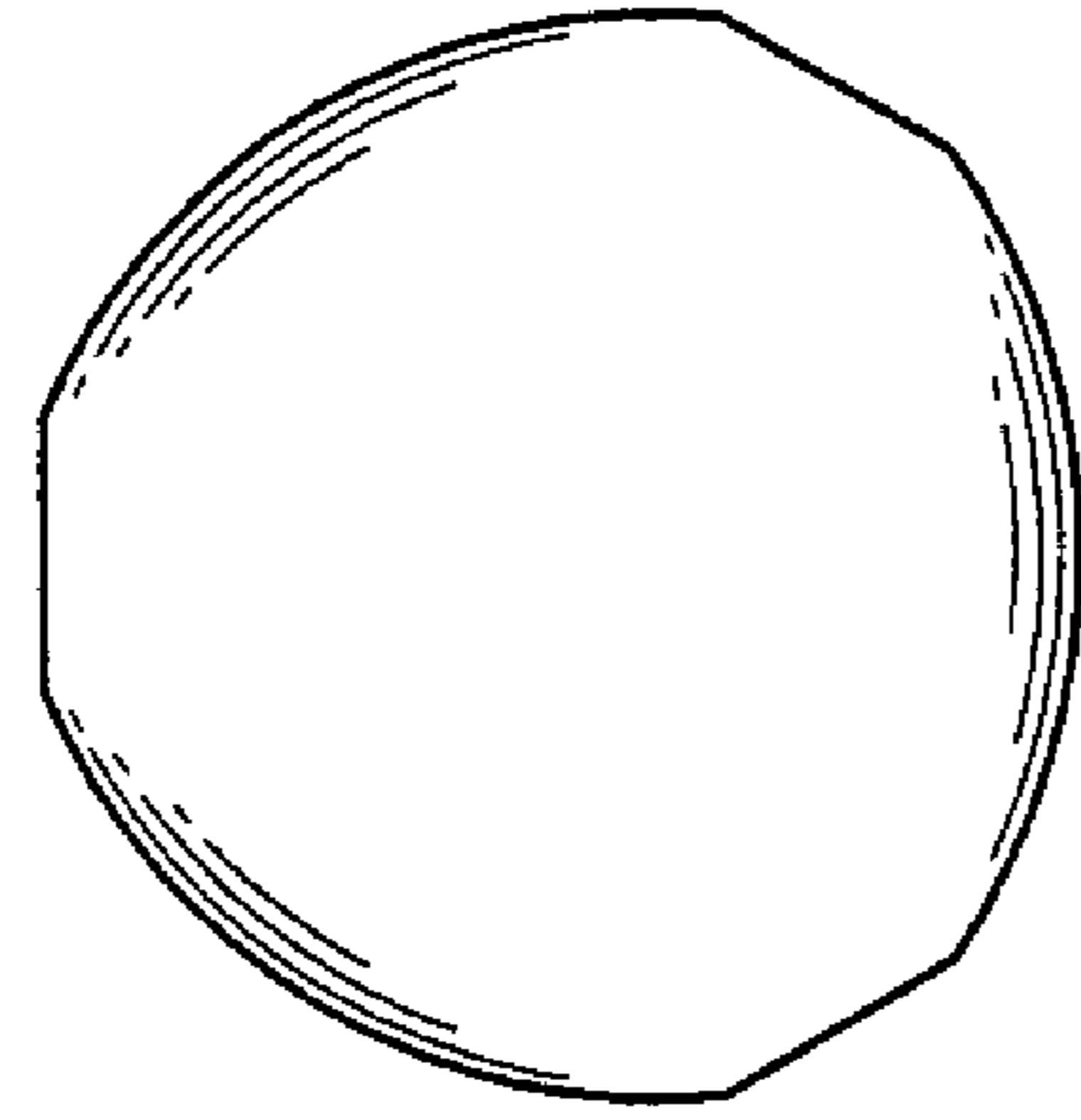


FIG. 5

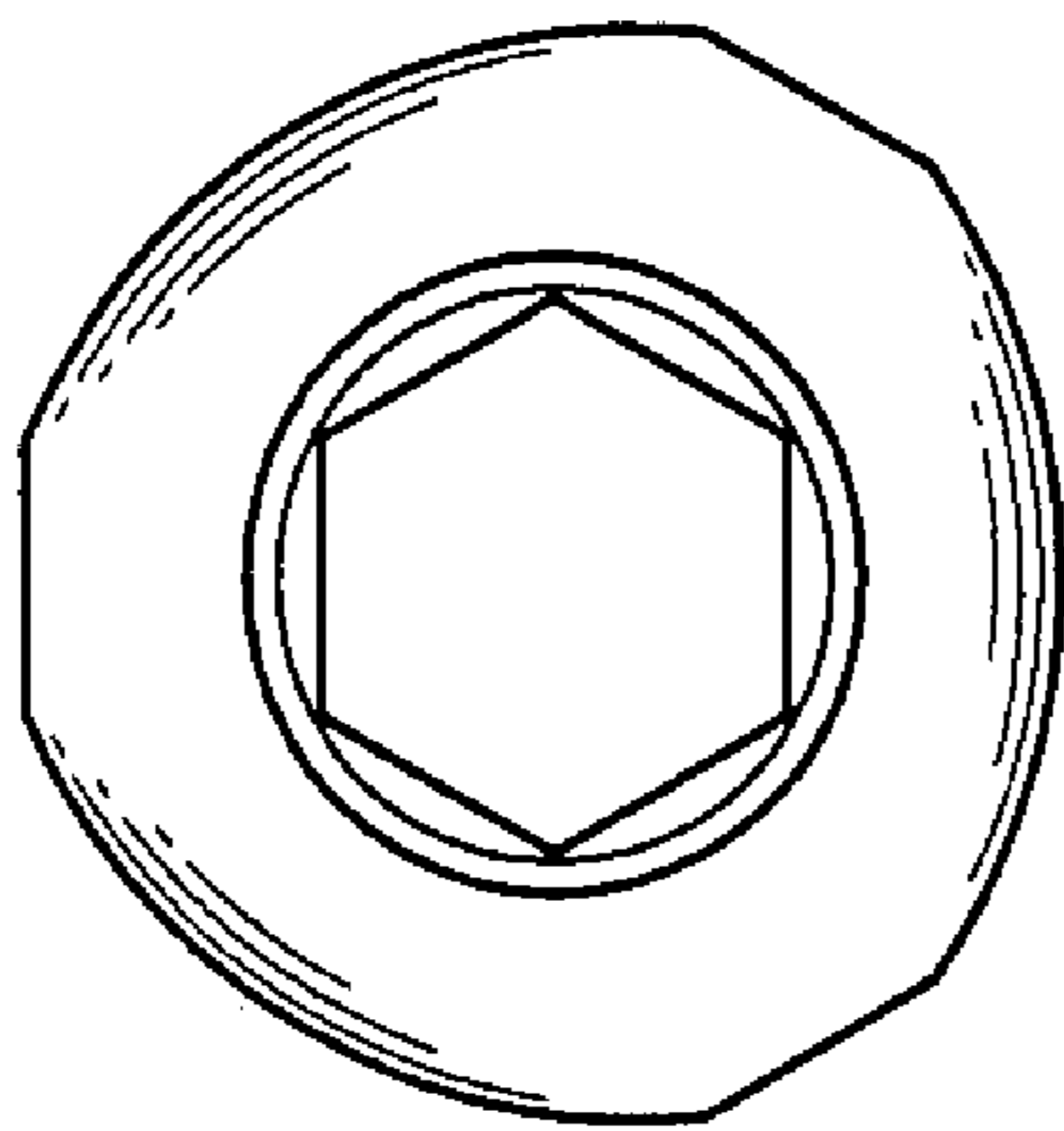


FIG. 4

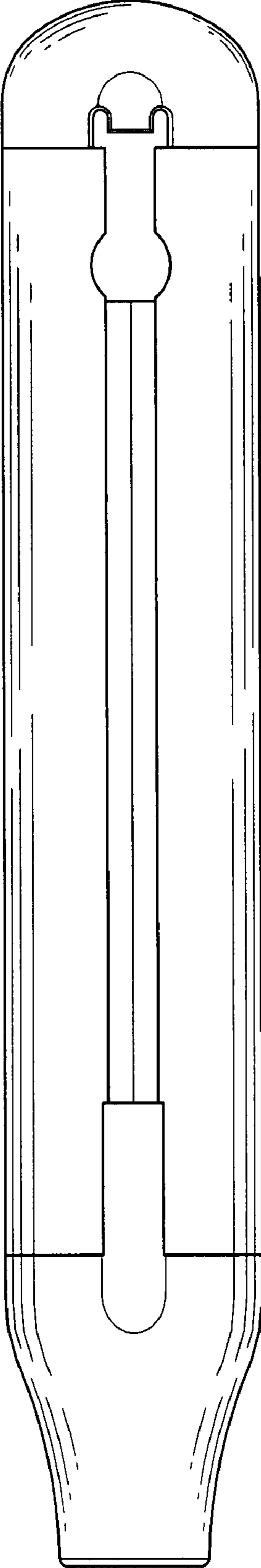


FIG. 6

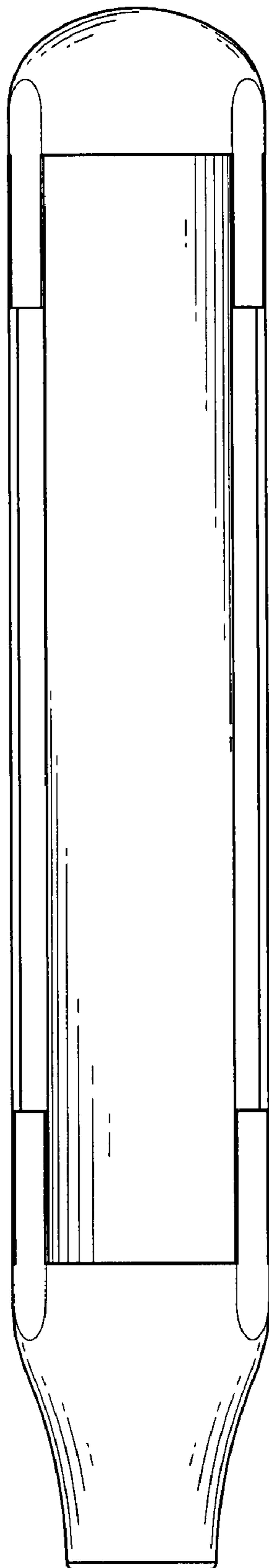


FIG. 7



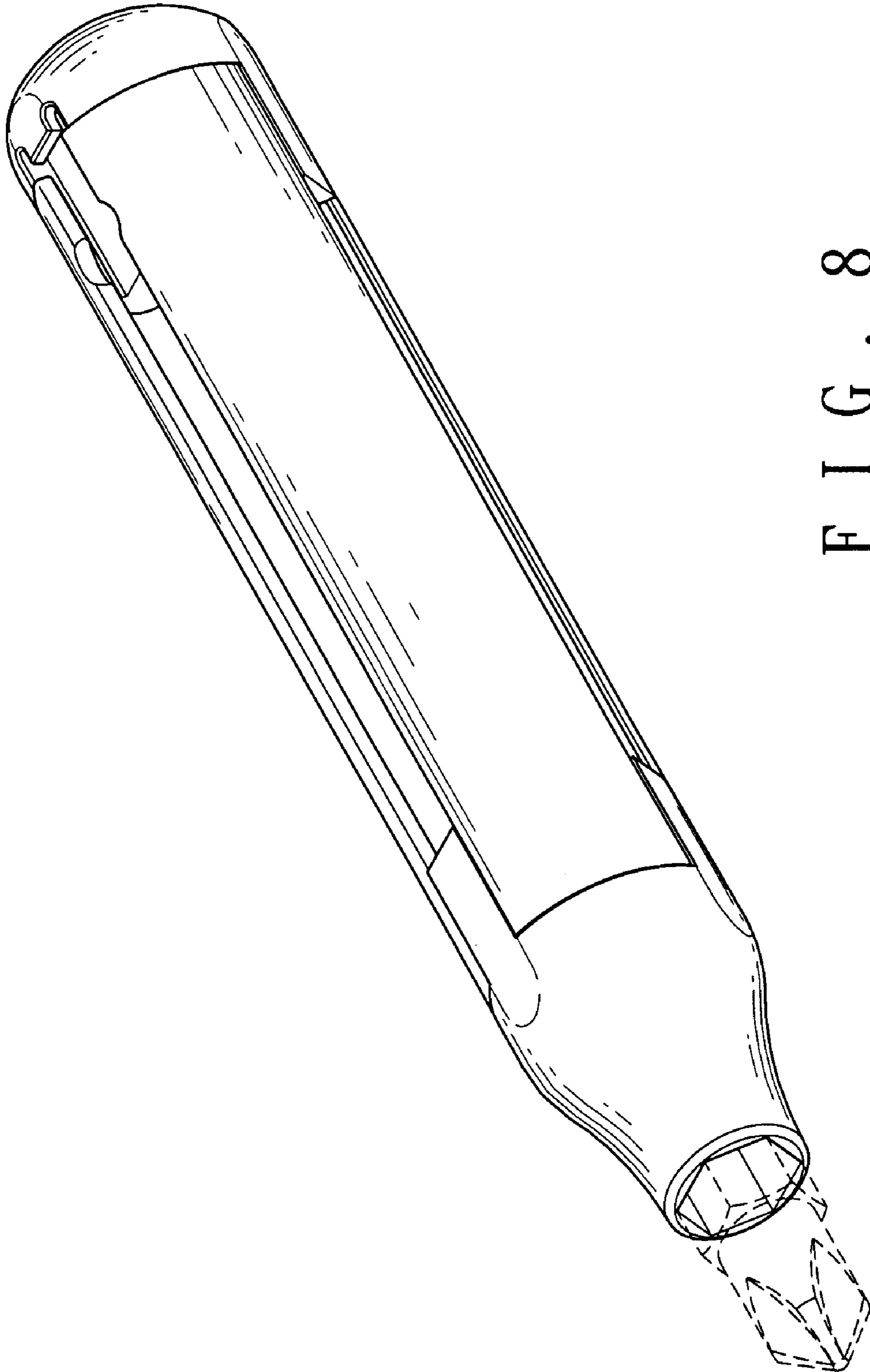


FIG. 8