



US00D573861S

(12) **United States Design Patent**
Hammer et al.

(10) **Patent No.:** **US D573,861 S**
(45) **Date of Patent:** **** Jul. 29, 2008**

(54) **MULTIPURPOSE CLAMP WITH EXTENSION ROD**

D551,763 S * 9/2007 Phillips et al. D24/135
D553,971 S * 10/2007 Krueger D8/396

(75) Inventors: **Bruce R. Hammer**, San Rafael, CA (US); **David F. Gaskell**, Vallejo, CA (US)

* cited by examiner

Primary Examiner—Louis S. Zarfaz

Assistant Examiner—David G Muller

(73) Assignee: **NuProdx, Inc.**, San Rafael, CA (US)

(74) *Attorney, Agent, or Firm*—Richard D. Clarke

(**) Term: **14 Years**

(57) **CLAIM**

(21) Appl. No.: **29/288,572**

We claim the ornamental design for a multipurpose clamp with extension rod, as shown and described.

(22) Filed: **Jun. 14, 2007**

DESCRIPTION

(51) **LOC (8) Cl.** **08-05**

FIG. 1 is a top and side elevational perspective view of the multipurpose clamp with extension rod, showing the adjustable extension rod partially extended;

(52) **U.S. Cl.** **D8/72**

FIG. 2 is a side elevational view of the multipurpose clamp with extension rod, showing the adjustable extension rod partially extended;

(58) **Field of Classification Search** D8/71–74, D8/394–397, 354–356, 382, 383; 248/62, 248/689, 124.2, 643; 81/487, 427, 321; 269/3, 269/6, 143, 165, 240, 249, 243, 97; 29/256, 29/257, 276; D15/140; 294/16, 103.1, 64.1; 4/577.1; D13/133; D24/135

FIG. 3 is a front elevational view of the multipurpose clamp with extension rod;

See application file for complete search history.

FIG. 4 is a side elevational view of the multipurpose clamp with extension rod, showing the adjustable extension rod partially extended;

(56) **References Cited**

U.S. PATENT DOCUMENTS

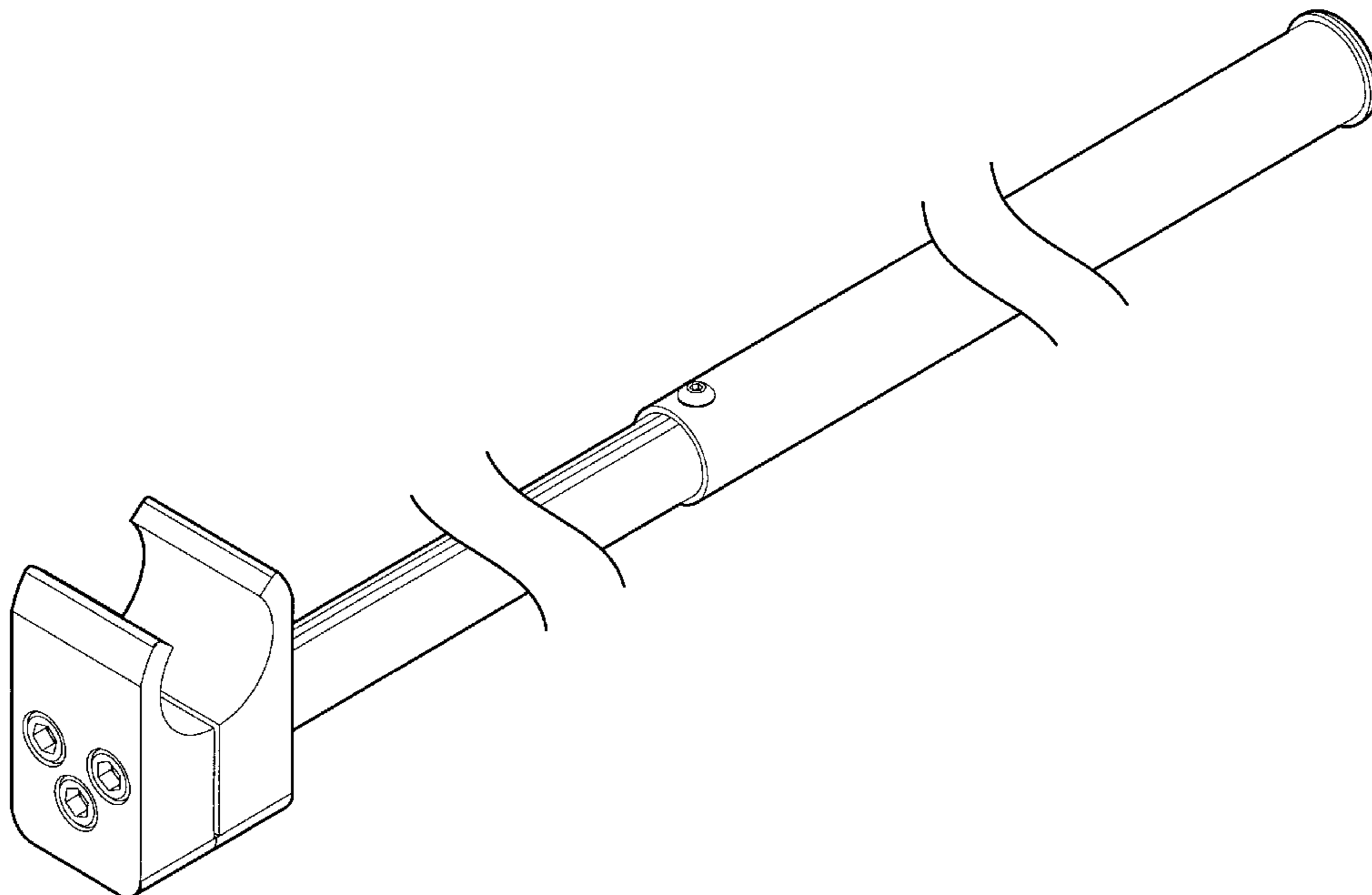
D242,765	S	*	12/1976	Patrick	D8/356
D301,832	S	*	6/1989	Hathaway	D8/354
D308,818	S	*	6/1990	Powrzanas	D8/396
5,138,917	A	*	8/1992	Kirschner	81/487
D345,905	S	*	4/1994	Hallgren	D8/355
D355,888	S	*	2/1995	Deleo	D13/133
D366,609	S	*	1/1996	McDonald	D8/397
D423,994	S	*	5/2000	Helwig	D8/395
D425,402	S	*	5/2000	Welborn et al.	D8/354
D429,331	S	*	8/2000	Koros et al.	D24/135
D466,212	S	*	11/2002	Koros et al.	D24/135

FIG. 5 is a rear elevational view of the multipurpose clamp with extension rod;

FIG. 6 is a bottom view of the multipurpose clamp with extension rod, showing the adjustable extension rod partially extended; and,

FIG. 7 is a top plan view of the multipurpose clamp with extension rod, showing the adjustable extension rod partially extended.

1 Claim, 3 Drawing Sheets



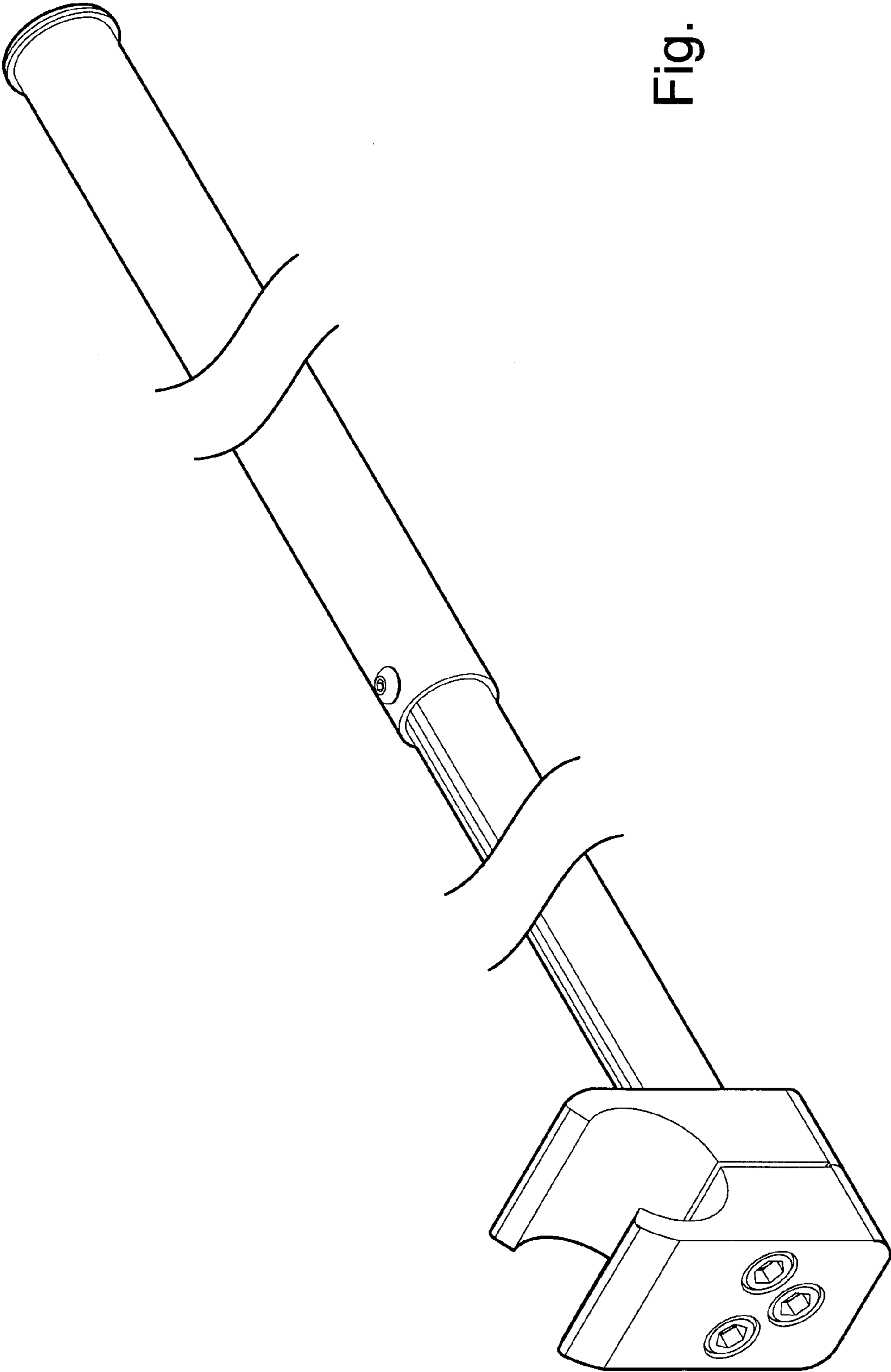


Fig. 1

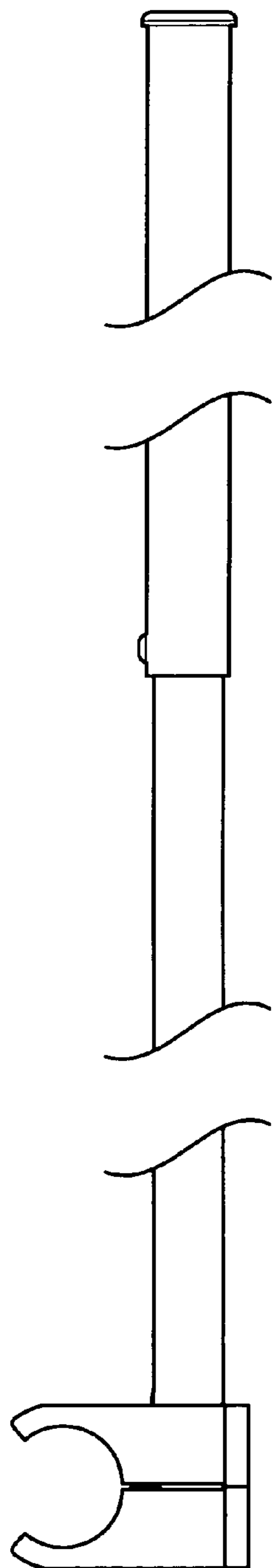


Fig. 2

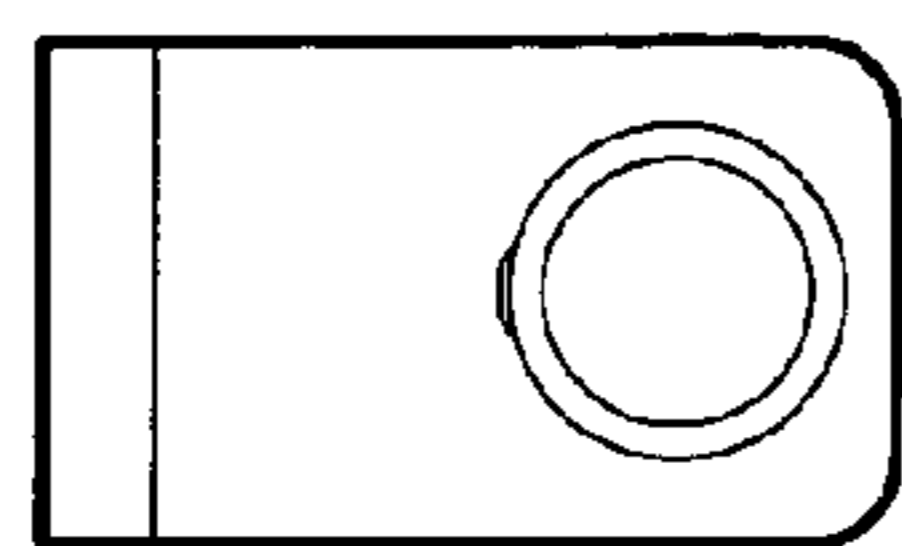
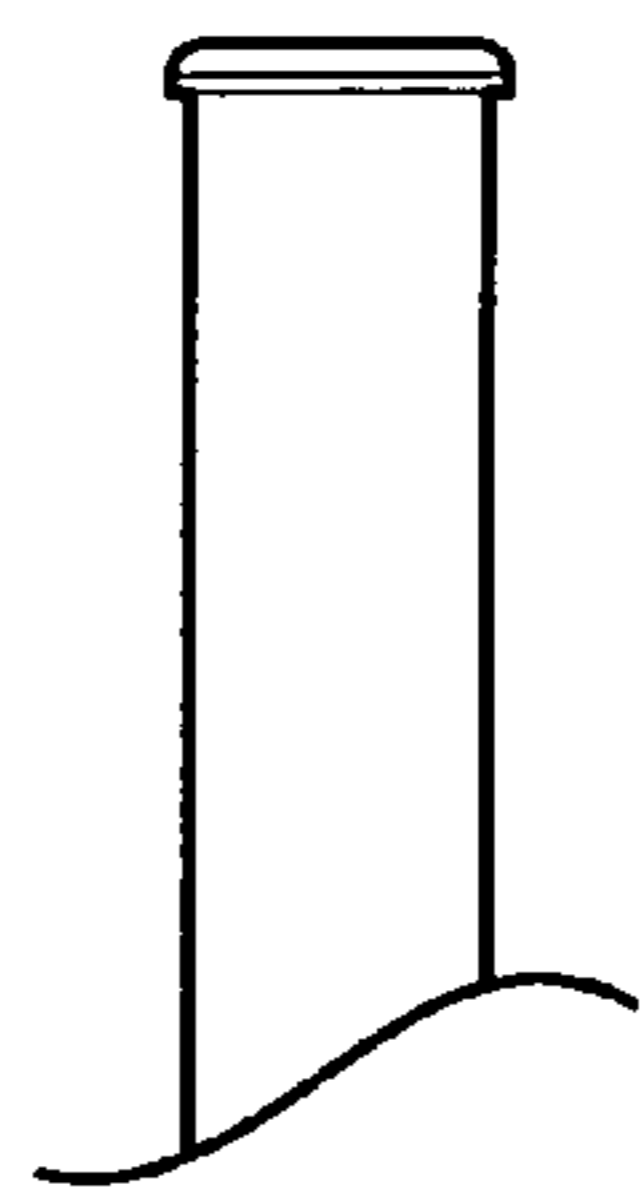
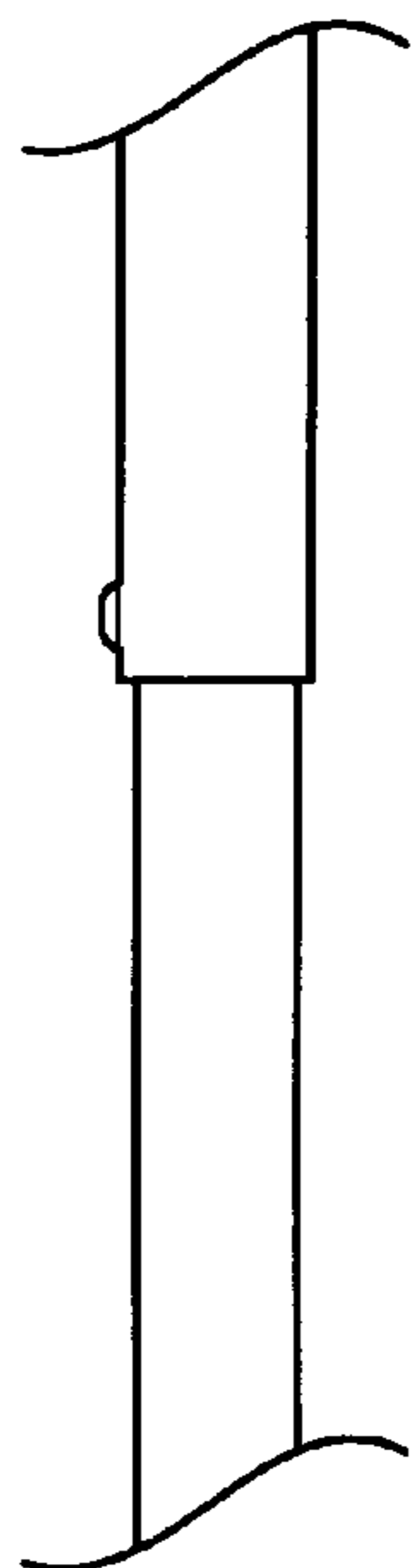


Fig. 3

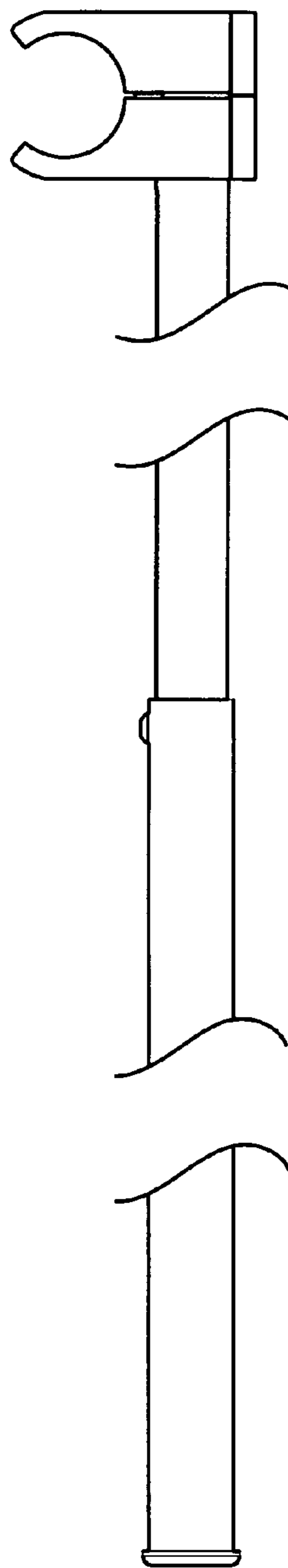


Fig. 4

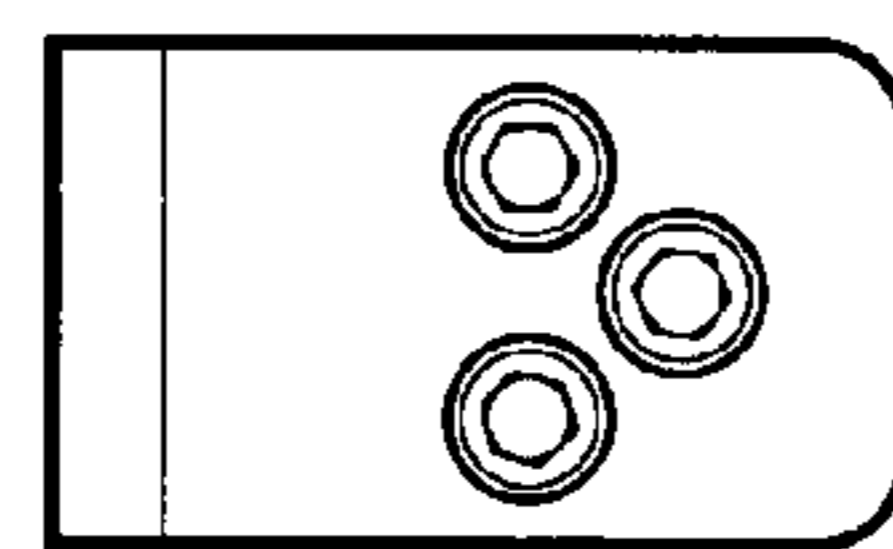
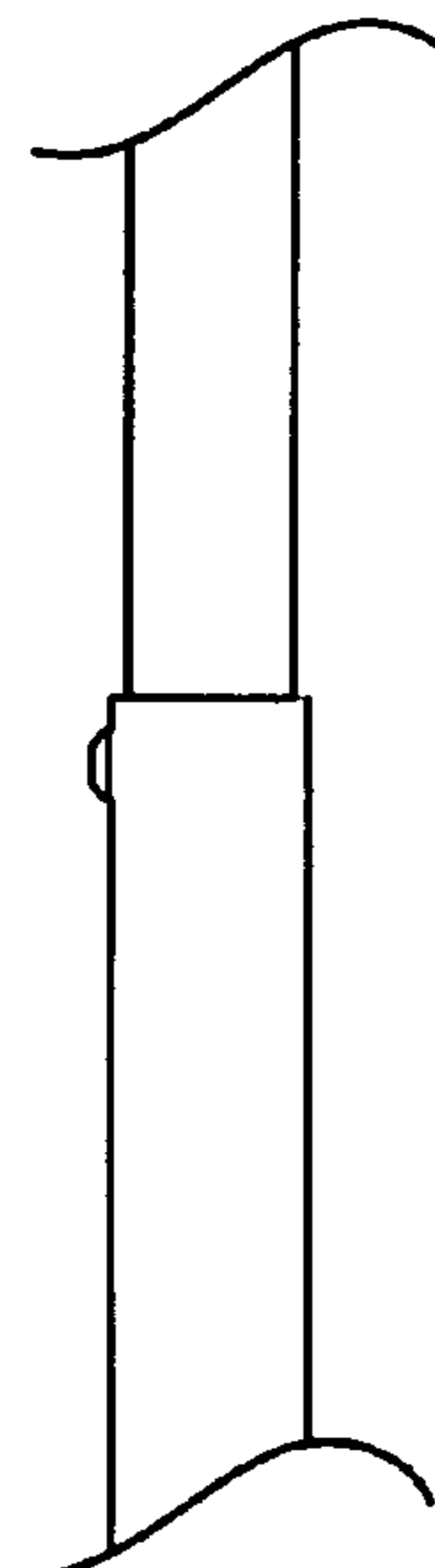
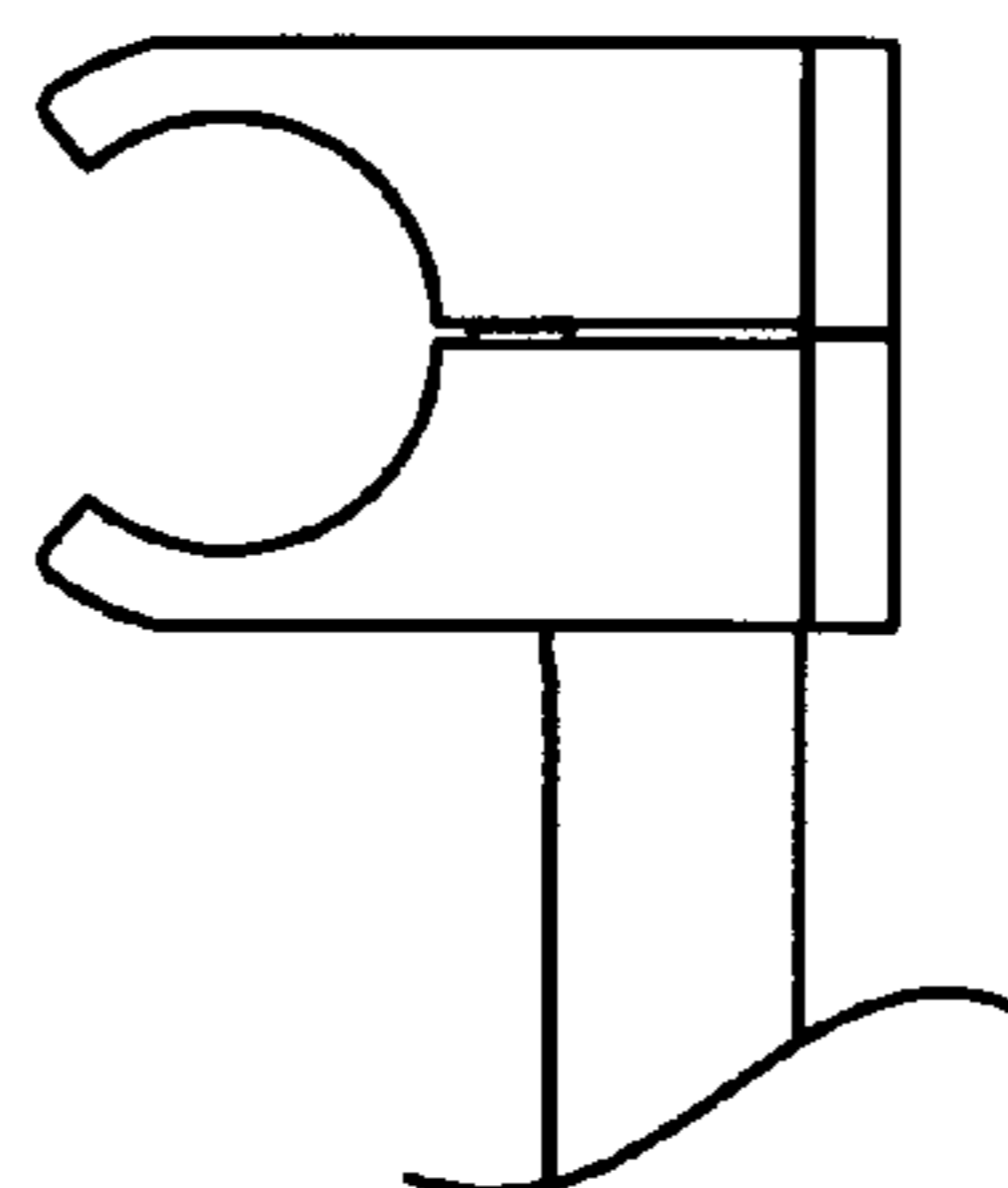


Fig. 5

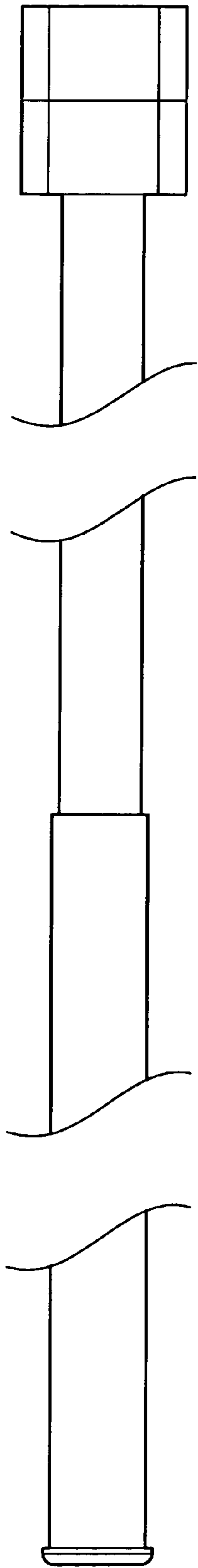


Fig. 6

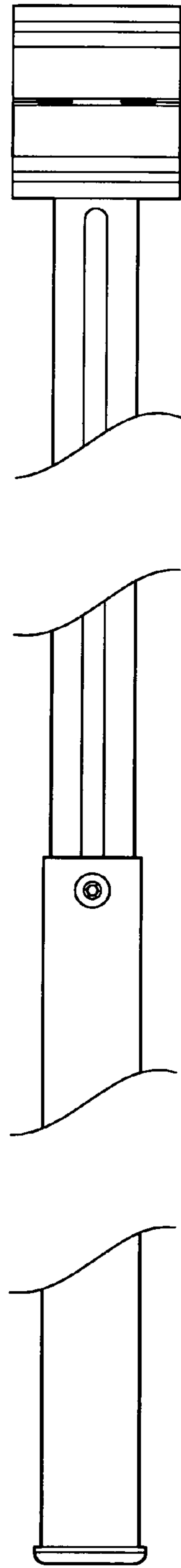


Fig. 7