



US00D573859S

(12) **United States Design Patent**  
**Van Wambeke**

(10) **Patent No.:** **US D573,859 S**  
(45) **Date of Patent:** **\*\* Jul. 29, 2008**

- (54) **JIGSAW**
- (75) Inventor: **Weston J. Van Wambeke**, Towson, MD (US)
- (73) Assignee: **Black & Decker Inc.**, Newark, DE (US)
- (\*\*) Term: **14 Years**
- (21) Appl. No.: **29/295,165**
- (22) Filed: **Sep. 21, 2007**
- (51) **LOC (8) Cl.** ..... **08-03**
- (52) **U.S. Cl.** ..... **D8/64**
- (58) **Field of Classification Search** ..... D8/61,  
D8/62, 64, 66, 69, 68, 67, 70; D7/379; D21/532;  
83/34, 747, 699.21; 30/394, 393, 392, 377,  
30/376, 375; 173/216  
See application file for complete search history.

Assembly view and parts list for Black and Decker Jigsaw Model No. JS600K, Type 1, Published 2005.  
 Assembly view and parts list for Black and Decker Jigsaw Model No. DC330K, Type 10, Published 2005.  
 Assembly view and parts list for Black and Decker Jigsaw Model No. DW331K, Type 1, Published 2005.  
 Assembly view and parts list for Black and Decker Jigsaw Model No. JS500K, Type 1, Published 2005.  
 Assembly view and parts list for Black and Decker Jigsaw Model No. JS700K, Type 1, Published 2005.  
 Assembly view and parts list for Black and Decker Jigsaw Model No. FS18JS, Type 1, Published 2005.  
 German Design Registration No. M94 03 565.2; filed Dec. 29, 1993.  
 German Design Registration No. 499 05 194.7; filed May 27, 1999.

(Continued)

*Primary Examiner*—Cathron Brooks  
*Assistant Examiner*—Austin Murphy  
 (74) *Attorney, Agent, or Firm*—Harness, Dickey & Pierce, P.L.C.

(56) **References Cited**

**U.S. PATENT DOCUMENTS**

D404,274 S *	1/1999	Ogasawara et al.	.....	D8/64
D414,094 S	9/1999	Heun		
D440,474 S	4/2001	Heun		
D463,963 S	10/2002	Metaxatos et al.		
D474,384 S	5/2003	Andriolo		
D476,871 S	7/2003	Santarsiero et al.		
D486,711 S	2/2004	Tam et al.		
6,705,017 B2	3/2004	Ellis et al.		
D489,239 S	5/2004	Keller		
D519,014 S	4/2006	Aglassinger		
D519,346 S	4/2006	Wu		
D519,804 S *	5/2006	Wu	.....	D8/64
D519,805 S	5/2006	Ng		
D519,806 S	5/2006	Waldron		
D520,318 S	5/2006	Waldron		

(Continued)

**OTHER PUBLICATIONS**

Assembly view and parts list for Black and Decker Jigsaw Model No. JS350K, Type 1, Published 2005.

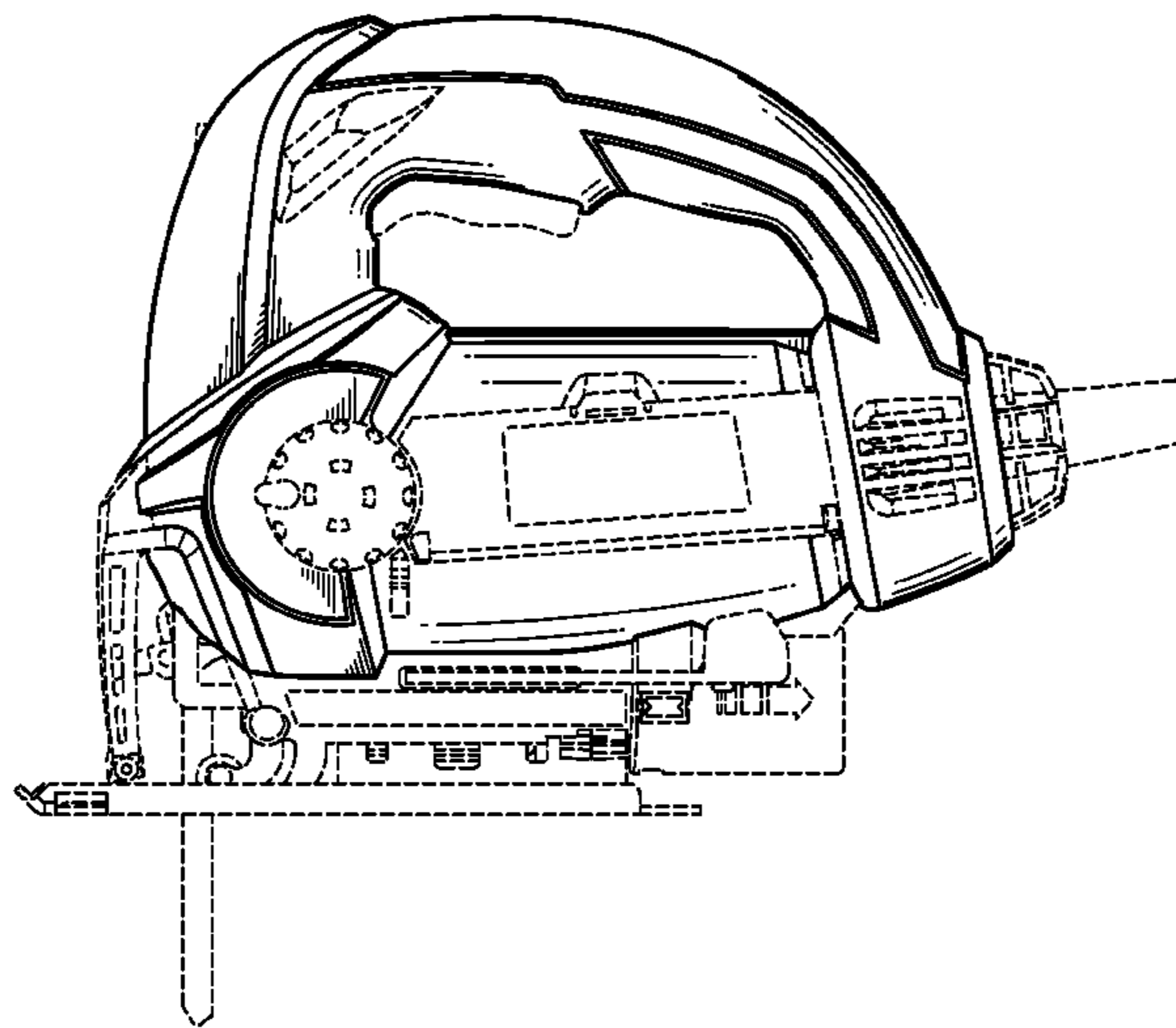
(57) **CLAIM**

The ornamental design for a jigsaw, as shown and described.

**DESCRIPTION**

FIG. 1 is a side view of a jigsaw in accordance with the present teachings.  
 FIG. 2 is an opposite side view of the jigsaw of FIG. 1.  
 FIG. 3 is a front view of the jigsaw of FIG. 1.  
 FIG. 4 is a rear view of the jigsaw of FIG. 1.  
 FIG. 5 is a top view of the jigsaw of FIG. 1, a bottom view of the jigsaw is excluded because the view is almost entirely obstructed by a cutting shoe shown in broken line; and,  
 FIG. 6 is a perspective view of the jigsaw of FIG. 1.  
 The broken line showing of portions of the jigsaw forms no part of the claimed design.

**1 Claim, 5 Drawing Sheets**



U.S. PATENT DOCUMENTS

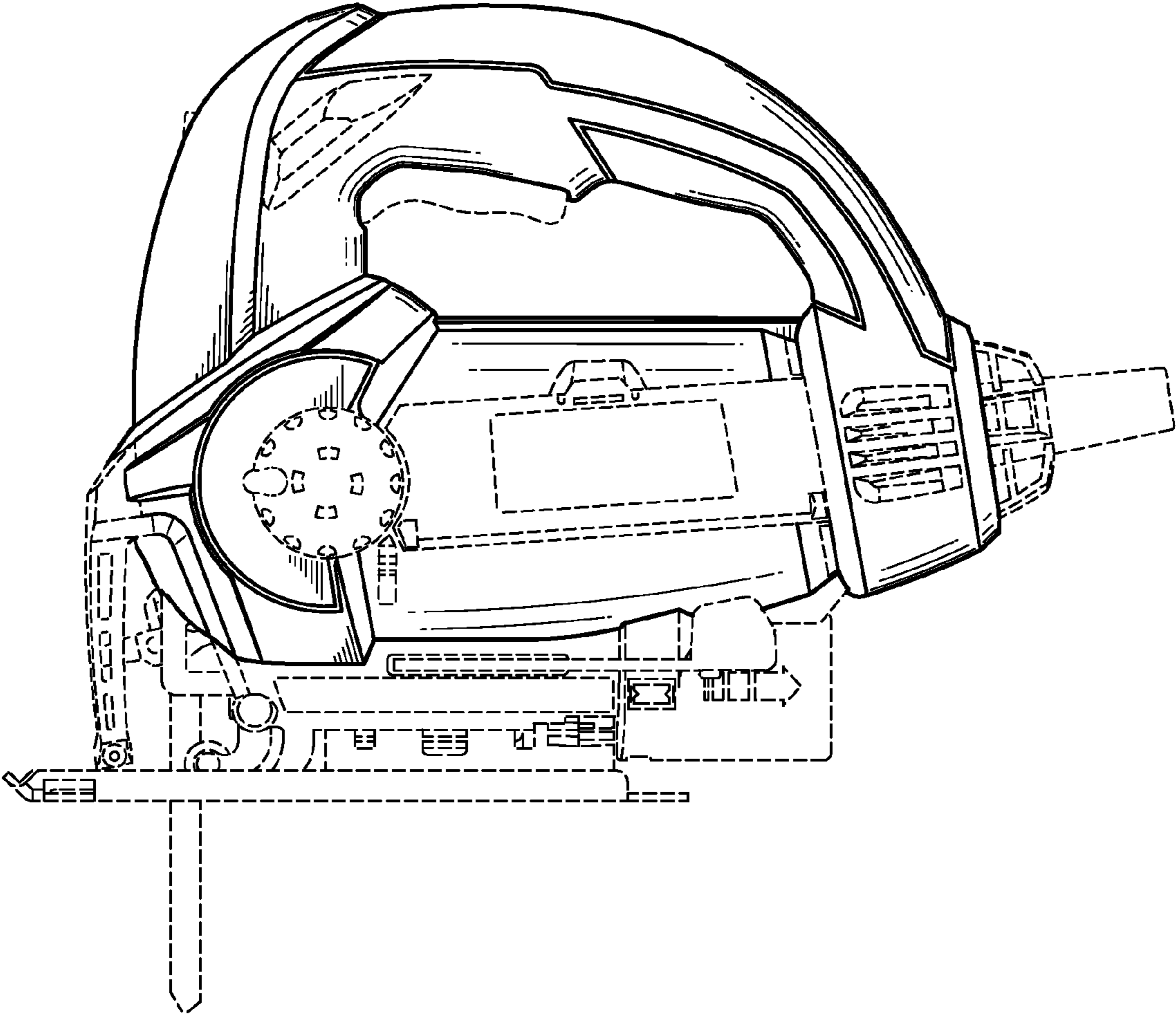
D521,834 S 5/2006 Andriolo et al.  
D522,335 S 6/2006 Houghton  
D524,622 S 7/2006 Corcoran  
D525,098 S \* 7/2006 Taniguchi et al. .... D8/64  
D532,664 S 11/2006 Wu  
2003/0167641 A1\* 9/2003 Teng ..... 30/337  
2003/0196338 A1\* 10/2003 Eto et al. .... 30/392

OTHER PUBLICATIONS

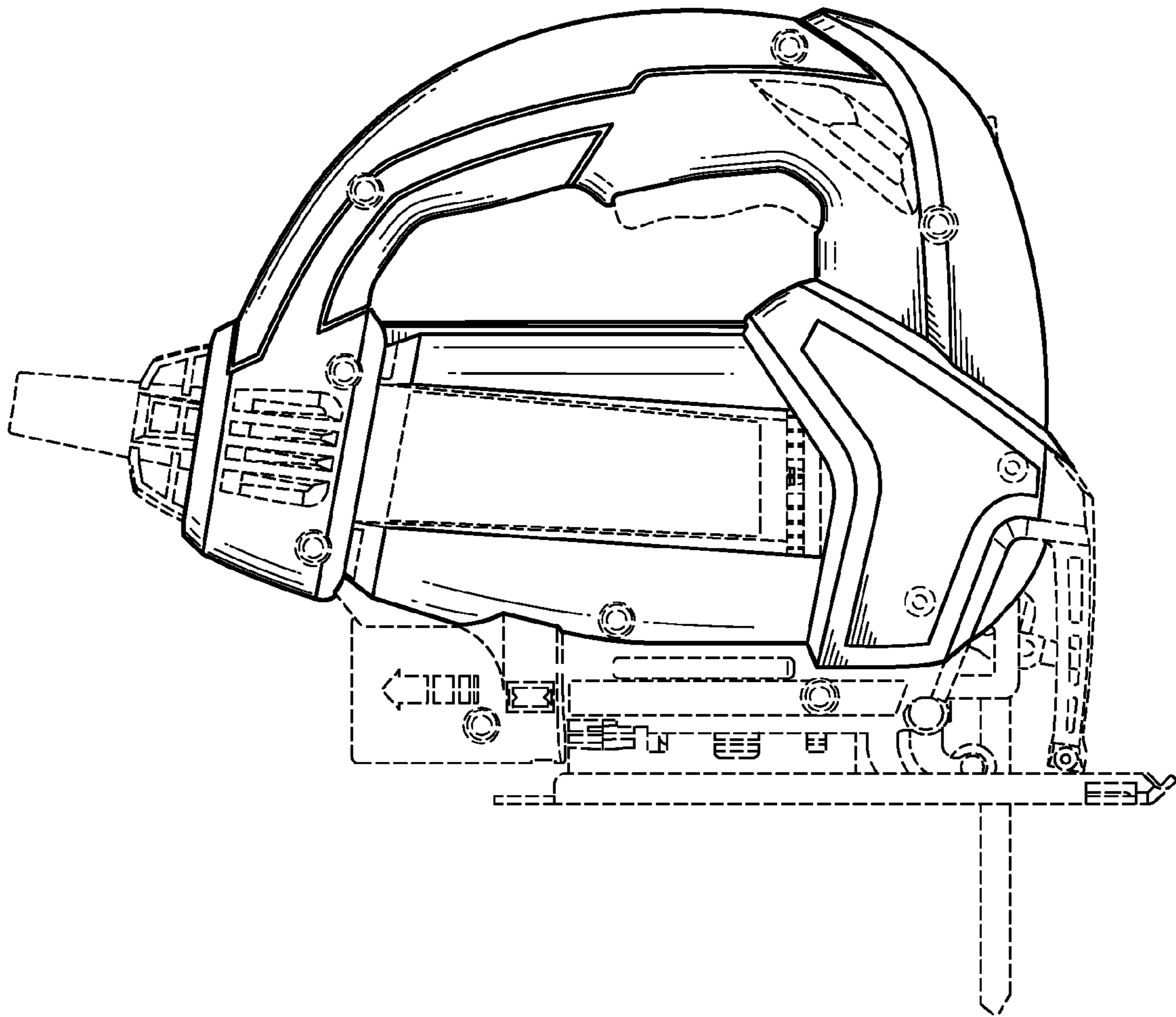
German Design Registration No. 499 01 078.7; filed Aug. 3, 1998.  
German Design Registration No. 402 08 158.7; filed Apr. 17, 2002.  
German Design Registration No. 402 08 159.5; filed Apr. 17, 2002.  
German Design Registration No. 40401105; filed Feb. 20, 2004.  
European Community Design Registration No. 000134408-0001;  
Registration date Jan. 26, 2004.  
European Community Design Registration No. 000295613-0003;  
Registration date Feb. 9, 2005.

European Community Design Registration No. 000337506-0001;  
Registration date Apr. 28, 2005.  
European Community Design Registration No. 000337530-0001;  
Registration date Jun. 28, 2005.  
European Community Design Registration No. 000398151-0004;  
Registration date Sep. 8, 2005.  
European Community Design Registration No. 000435482-0001;  
Registration date Nov. 18, 2005.  
European Community Design Registration No. 000435482-0002;  
Registration date Nov. 18, 2005.  
European Community Design Registration No. 000491162-0001;  
Registration date Mar. 3, 2006.  
European Community Design Registration No. 000491170-0001;  
Registration date Mar. 7, 2006.  
European Community Design Registration No. 000519392-0002;  
Registration date Apr. 26, 2006.  
German Design Registration No. 40403290; filed May 28, 2004.

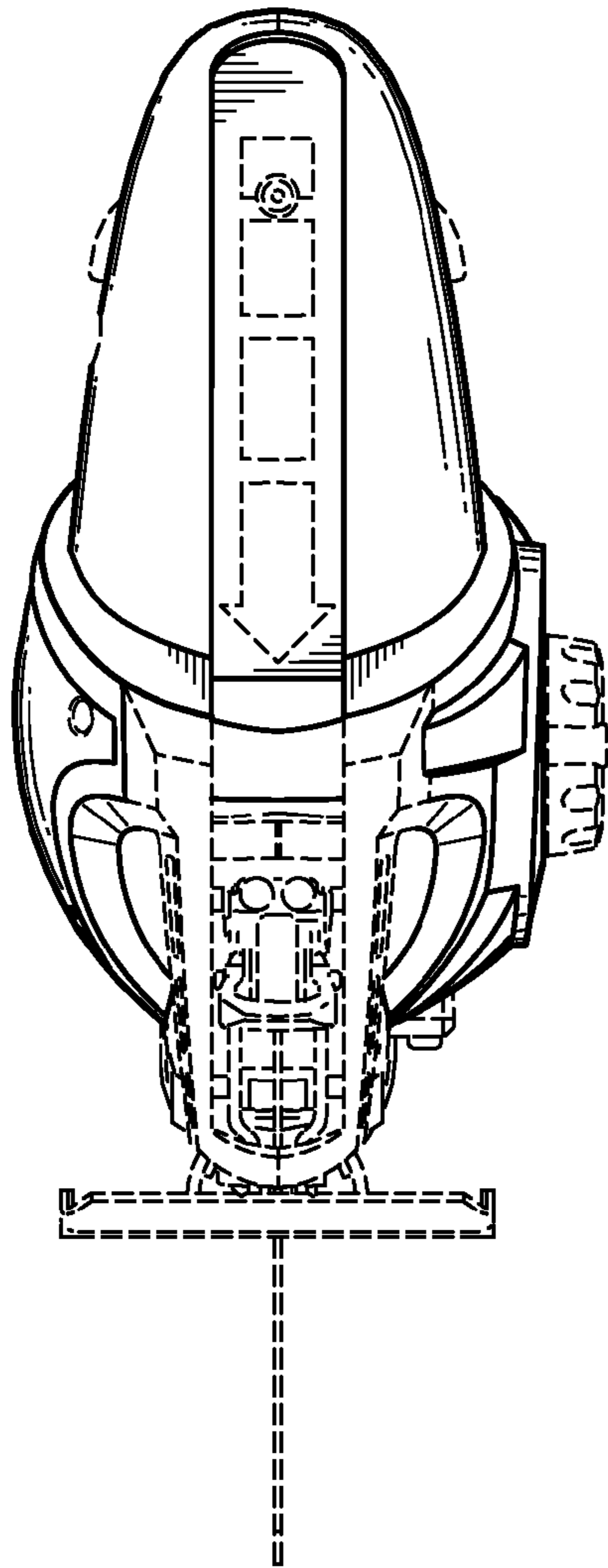
\* cited by examiner



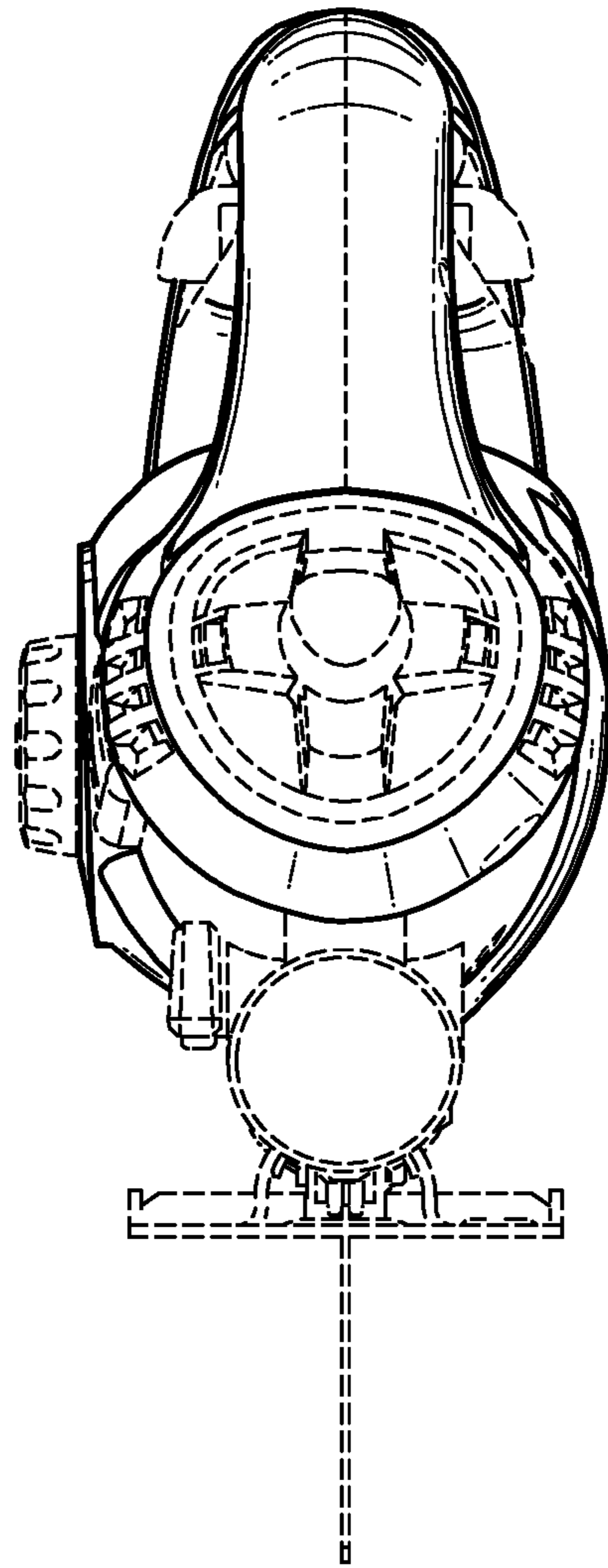
*FIG. 1*



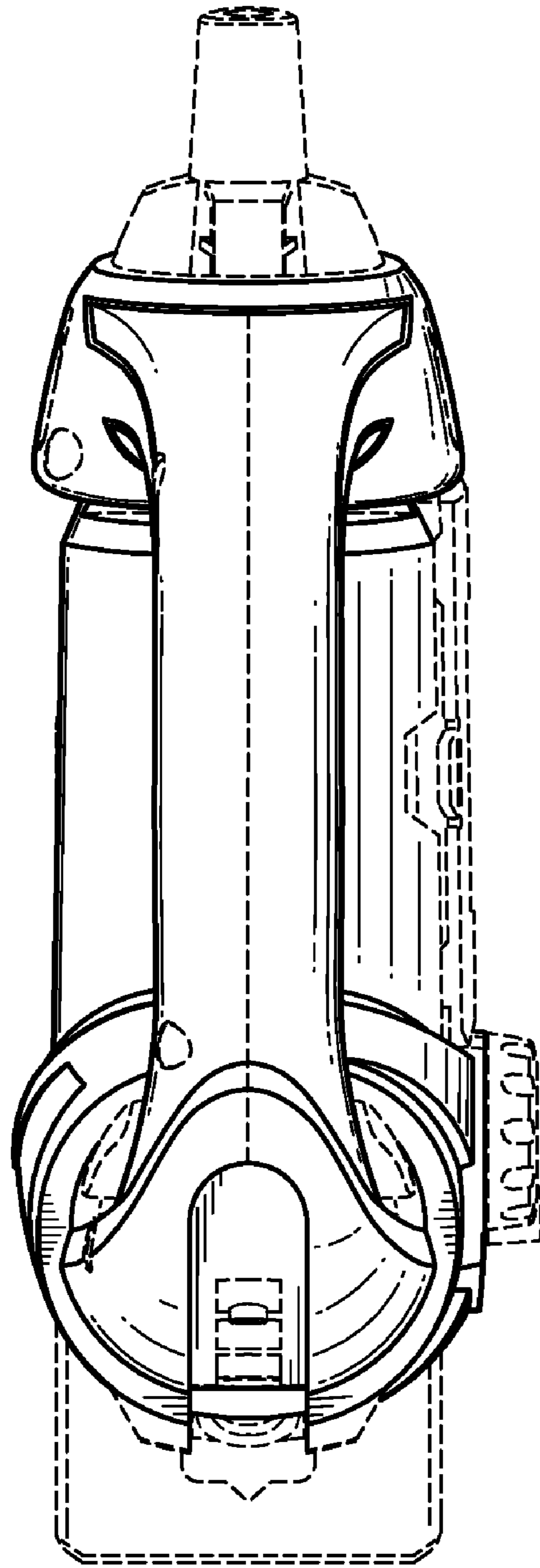
***FIG. 2***



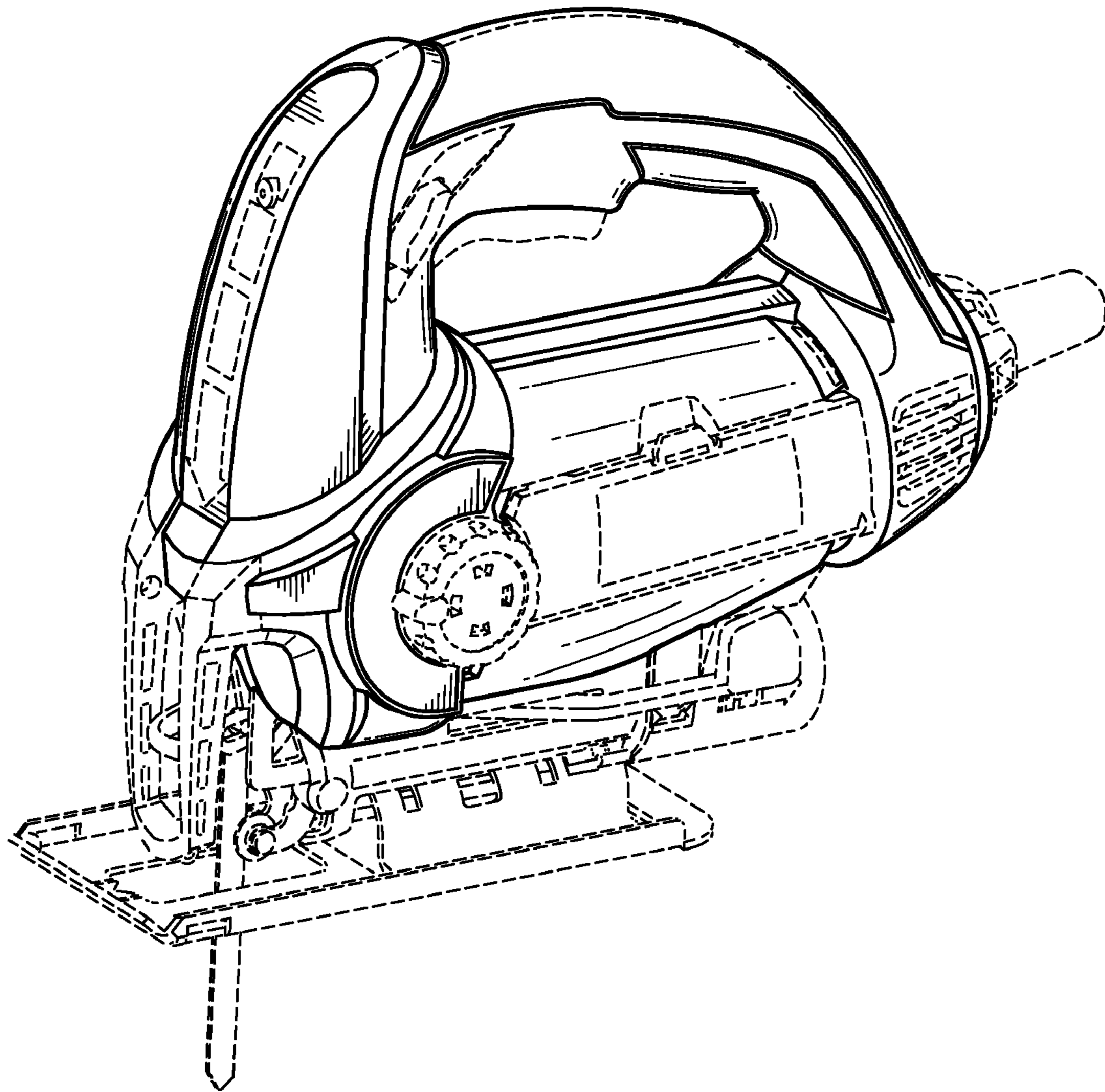
*FIG. 3*



*FIG. 4*



***FIG. 5***



***FIG. 6***