



US00D573858S

(12) **United States Design Patent**
Van Wambeke

(10) **Patent No.:** **US D573,858 S**

(45) **Date of Patent:** **** Jul. 29, 2008**

(54) **JIGSAW HOUSING**

(75) Inventor: **Weston J. Van Wambeke**, Towson, MD (US)

(73) Assignee: **Black & Decker Inc.**, Newark, DE (US)

(**) Term: **14 Years**

(21) Appl. No.: **29/295,157**

(22) Filed: **Sep. 21, 2007**

(51) **LOC (8) Cl.** **08-03**

(52) **U.S. Cl.** **D8/64**

(58) **Field of Classification Search** D8/61,
D8/62, 64, 66, 69, 68, 67, 70; D7/379; D21/532;
83/34, 747, 699.21; 30/394, 393, 392, 377,
30/376, 375; 173/216

See application file for complete search history.

(56) **References Cited**

U.S. PATENT DOCUMENTS

D404,274 S	1/1999	Ogasawara et al.	
D414,094 S *	9/1999	Heun	D8/64
D440,474 S	4/2001	Heun	
D463,963 S *	10/2002	Metaxatos et al.	D8/64
D474,384 S *	5/2003	Andriolo	D8/64
D476,871 S *	7/2003	Santarsiero et al.	D8/64
D486,711 S *	2/2004	Tam et al.	D8/64
6,705,017 B2 *	3/2004	Ellis et al.	30/375
D489,239 S *	5/2004	Keller	D8/64
D519,014 S *	4/2006	Aglassinger	D8/64
D519,346 S *	4/2006	Wu	D8/64
D519,804 S	5/2006	Wu	
D519,805 S	5/2006	Ng	
D519,806 S	5/2006	Waldron	
D520,318 S *	5/2006	Waldron	D8/64

(Continued)

OTHER PUBLICATIONS

Assembly view and parts list for Black and Decker Jigsaw Model No. JS350K, Type 1, Published 2005.

Assembly view and parts list for Black and Decker Jigsaw Model No. JS600K, Type 1, Published 2005.

Assembly view and parts list for Black and Decker Jigsaw Model No. DC330K, Type 10, Published 2005.

Assembly view and parts list for Black and Decker Jigsaw Model No. DW331K, Type 1, Published 2005.

Assembly view and parts list for Black and Decker Jigsaw Model No. JS500K, Type 1, Published 2005.

Assembly view and parts list for Black and Decker Jigsaw Model No. JS700K, Type 1, Published 2005.

Assembly view and parts list for Black and Decker Jigsaw Model No. FS18JS, Type 1, Published 2005.

German Design Registration No. M94 03 565.2; filed Dec. 29, 1993.

(Continued)

Primary Examiner—Cathron Brooks

Assistant Examiner—Austin Murphy

(74) *Attorney, Agent, or Firm*—Harness, Dickey & Pierce, P.L.C.

(57) **CLAIM**

The ornamental design for a jigsaw housing, as shown and described.

DESCRIPTION

FIG. 1 is a side view of a jigsaw housing in accordance with the present teachings.

FIG. 2 is an opposite side view of the jigsaw housing of FIG. 1.

FIG. 3 is a front view of the jigsaw housing of FIG. 1.

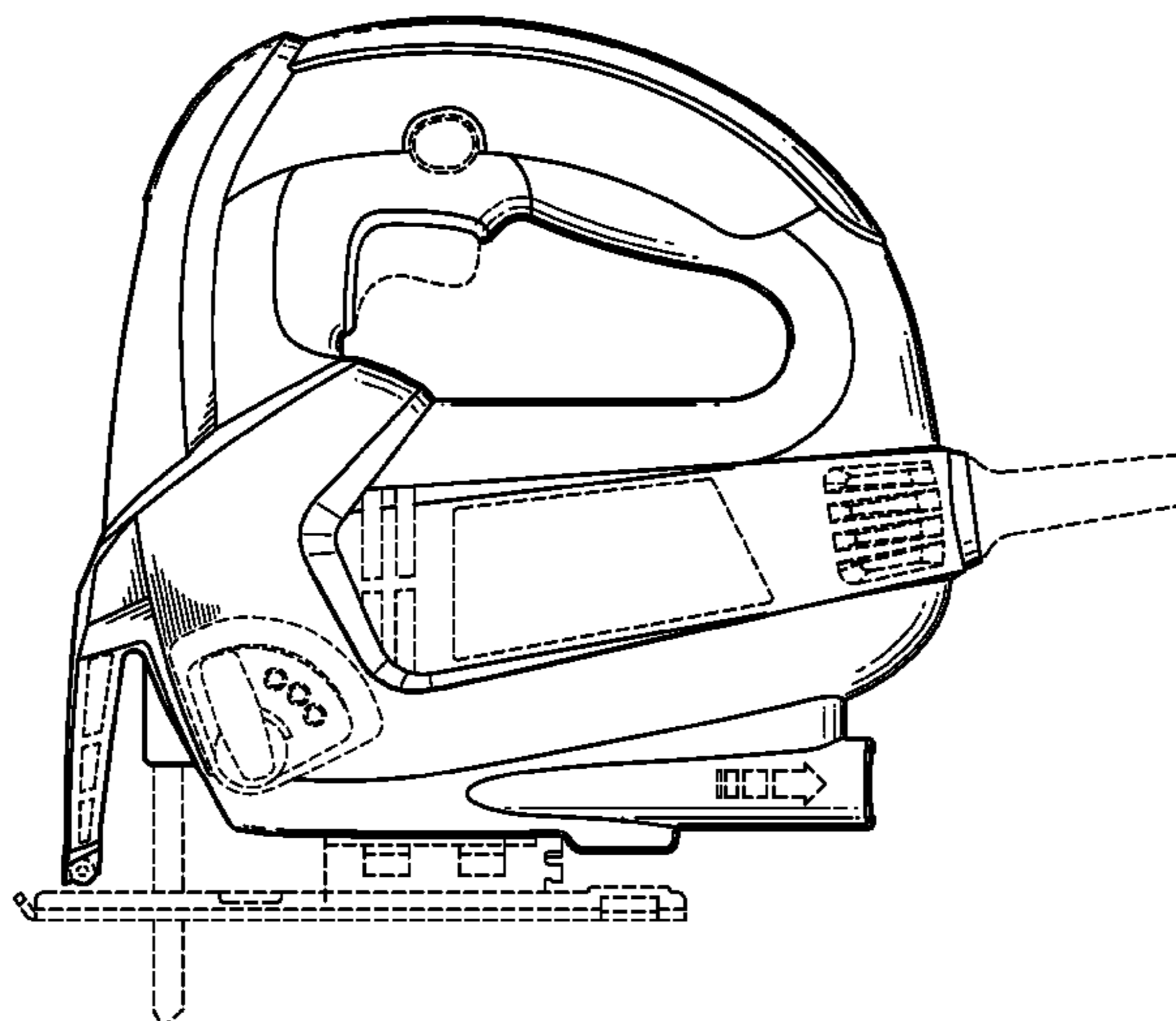
FIG. 4 is a rear view of the jigsaw housing of FIG. 1.

FIG. 5 is a top view of the jigsaw housing of FIG. 1, the bottom view of the jigsaw housing is excluded as it is almost entirely obstructed by a cutting shoe shown in broken line; and,

FIG. 6 is a perspective view of the jigsaw housing of FIG. 1.

The broken line showing of the elements of the jigsaw housing forms no part of the claimed design.

1 Claim, 5 Drawing Sheets



U.S. PATENT DOCUMENTS

D521,834 S * 5/2006 Andriolo et al. D8/64
D522,335 S 6/2006 Houghton
D524,622 S * 7/2006 Corcoran D8/64
D525,098 S 7/2006 Taniguchi et al.
D532,664 S * 11/2006 Wu D8/64
2003/0167641 A1 9/2003 Teng
2003/0196338 A1 10/2003 Eto et al.

OTHER PUBLICATIONS

German Design Registration No. 499 05 194.7; filed May 27, 1999.
German Design Registration No. 499 01 078.7; filed Aug. 3, 1998.
German Design Registration No. 402 08 158.7; filed Apr. 17, 2002.
German Design Registration No. 402 08 159.5; filed Apr. 17, 2002.

German Design Registration No. 40401105; filed Feb. 20, 2004.
European Community Design Registration No. 000337506-0001;
Registration date Apr. 28, 2005.
European Community Design Registration No. 000337530-0001;
Registration date Jun. 28, 2005.
European Community Design Registration No. 000435482-0001;
Registration date Nov. 18, 2005.
European Community Design Registration No. 000435482-0002;
Registration date Nov. 18, 2005.
European Community Design Registration No. 000491162-0001;
Registration date Mar. 3, 2006.
European Community Design Registration No. 000491170-0001;
Registration date Mar. 7, 2006.
German Design Registration No. 40403290; filed May 28, 2004.

* cited by examiner

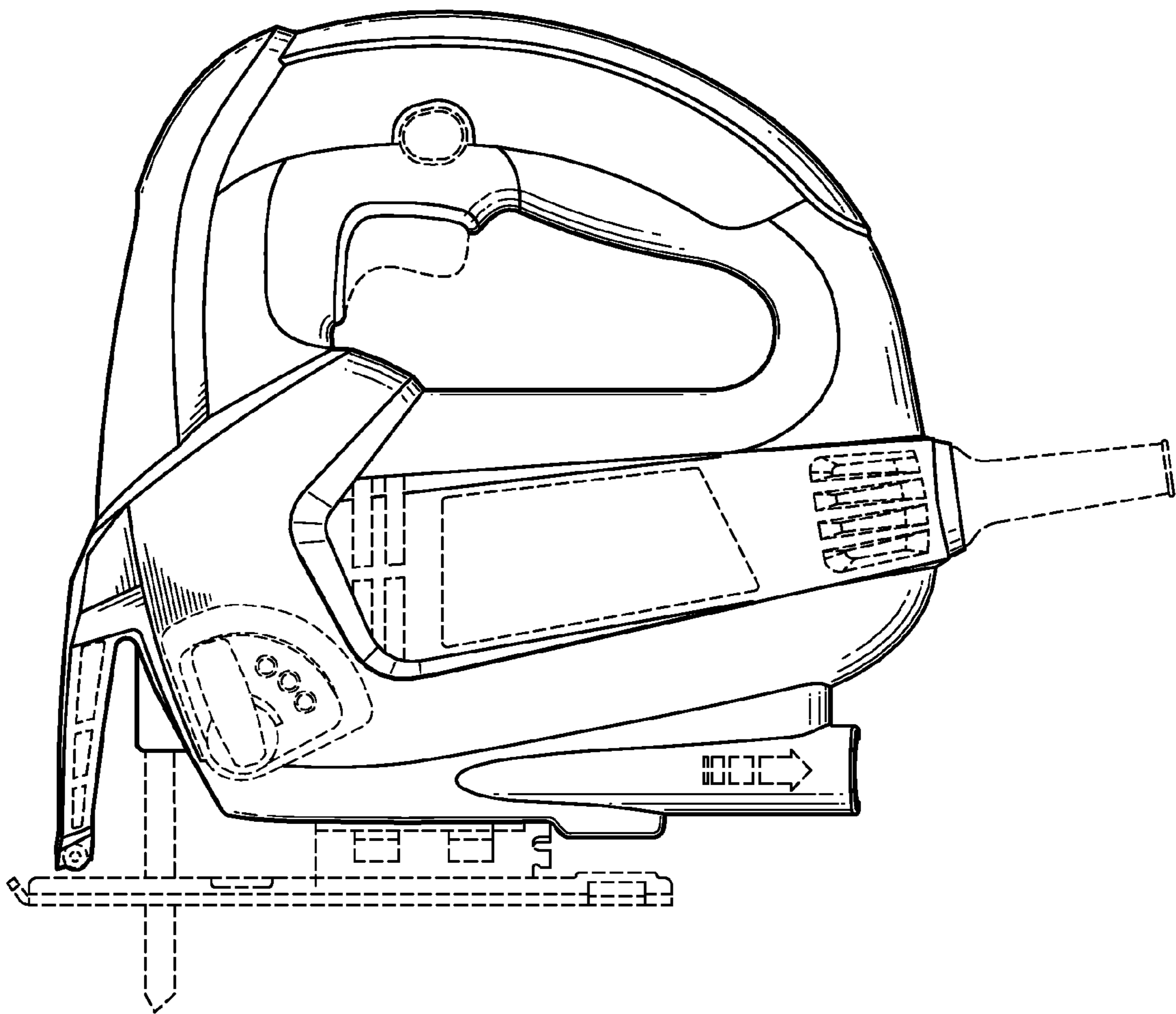


FIG. 1

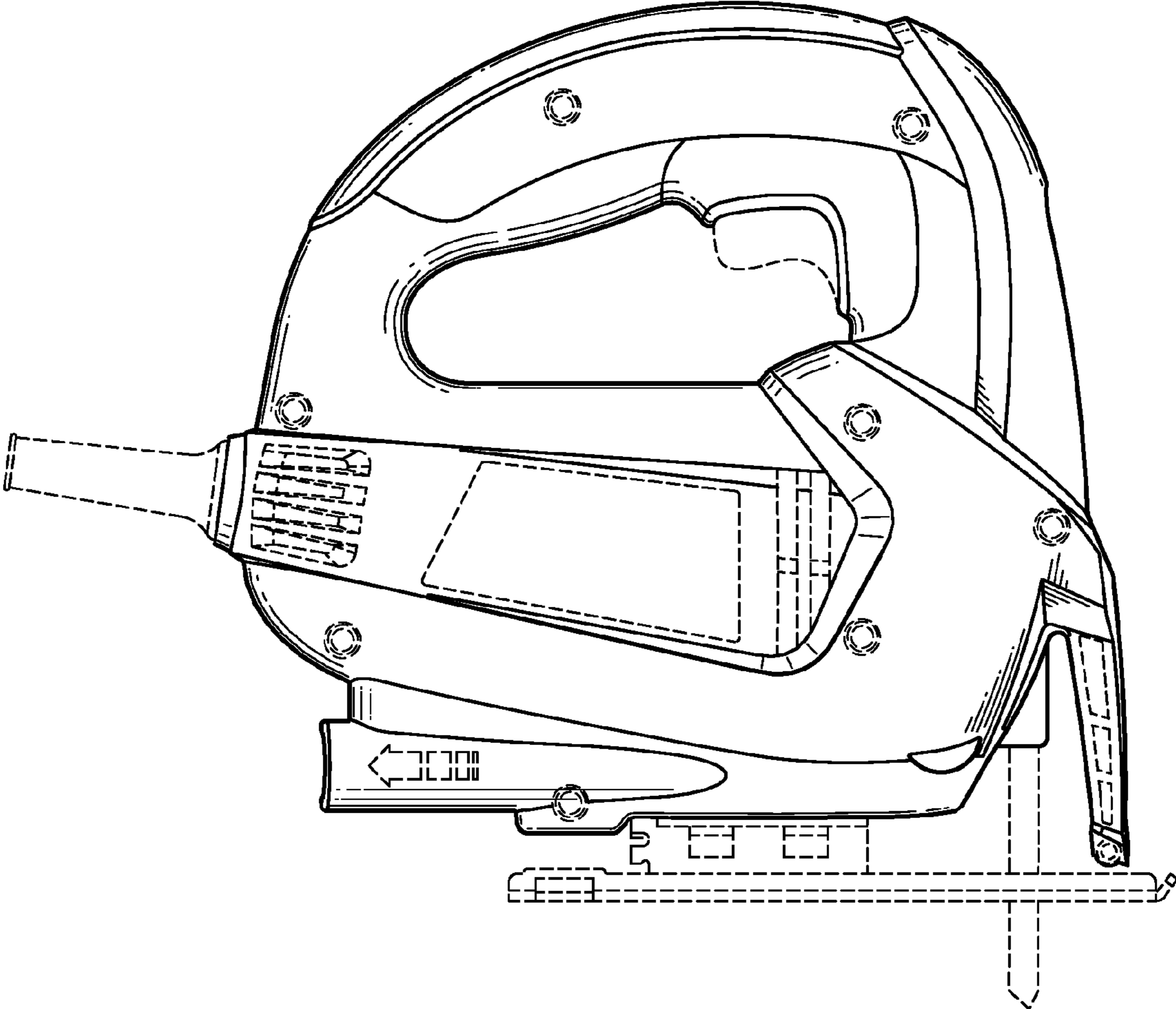


FIG. 2

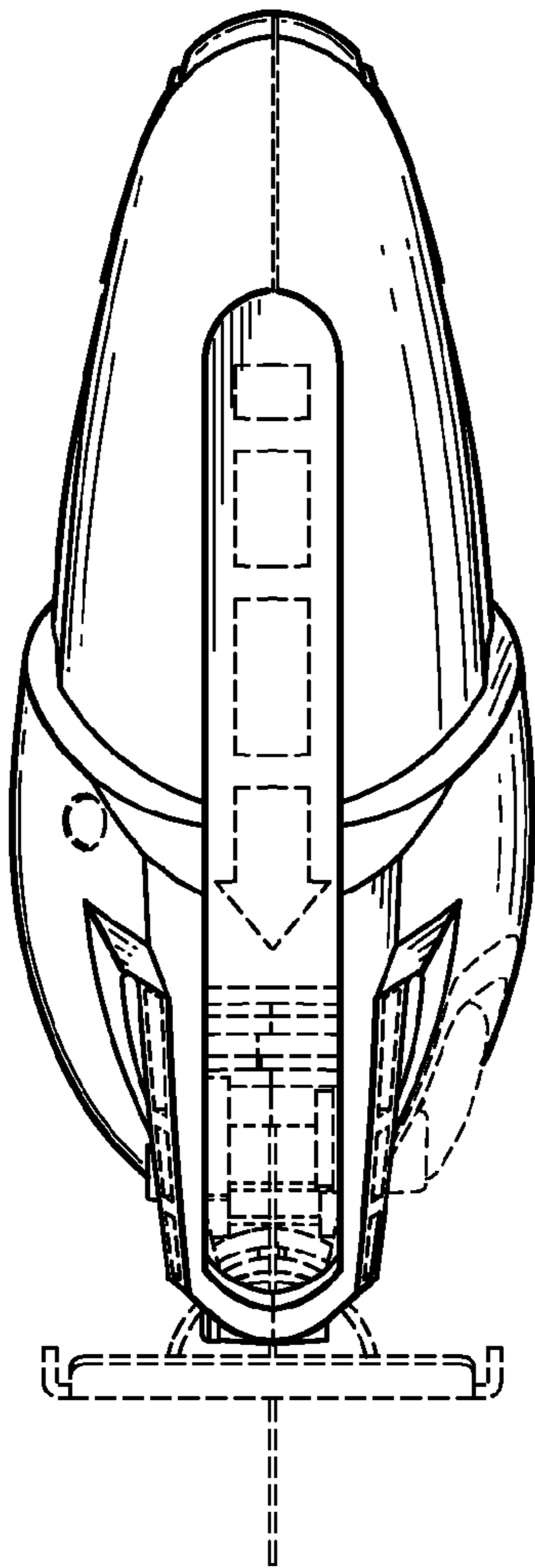


FIG. 3

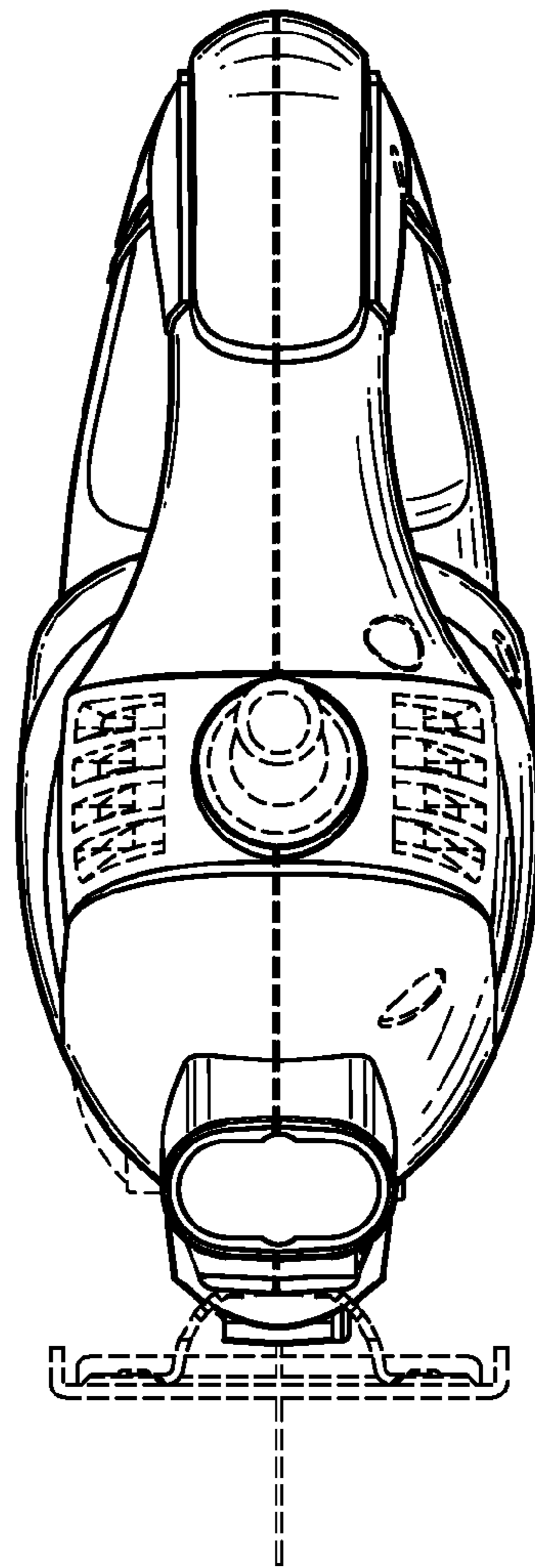


FIG. 4

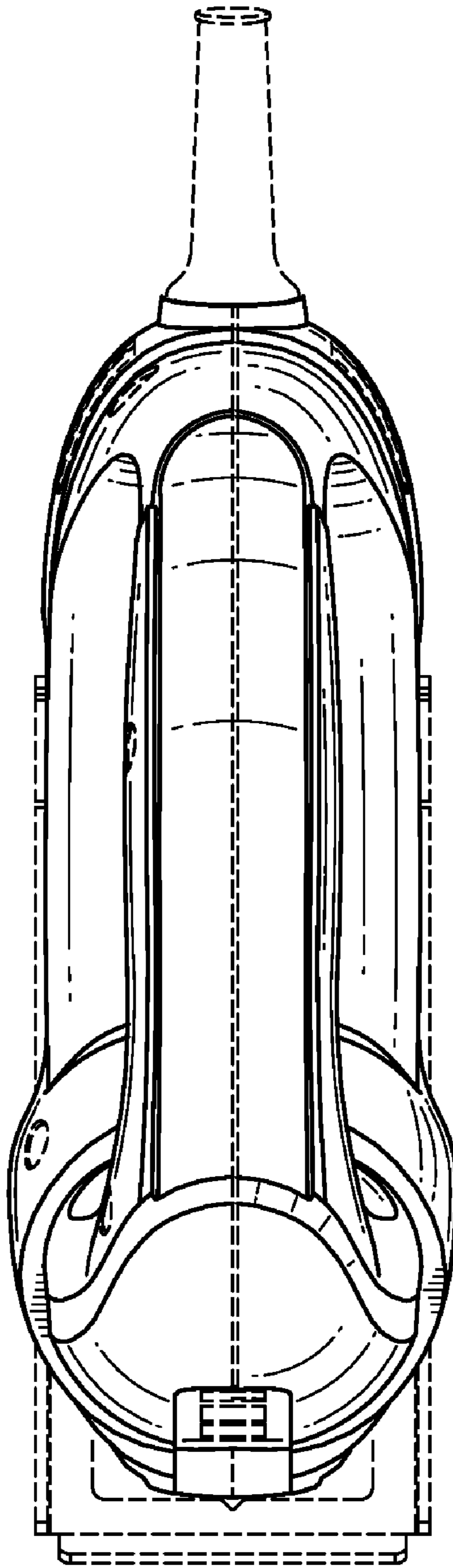


FIG. 5

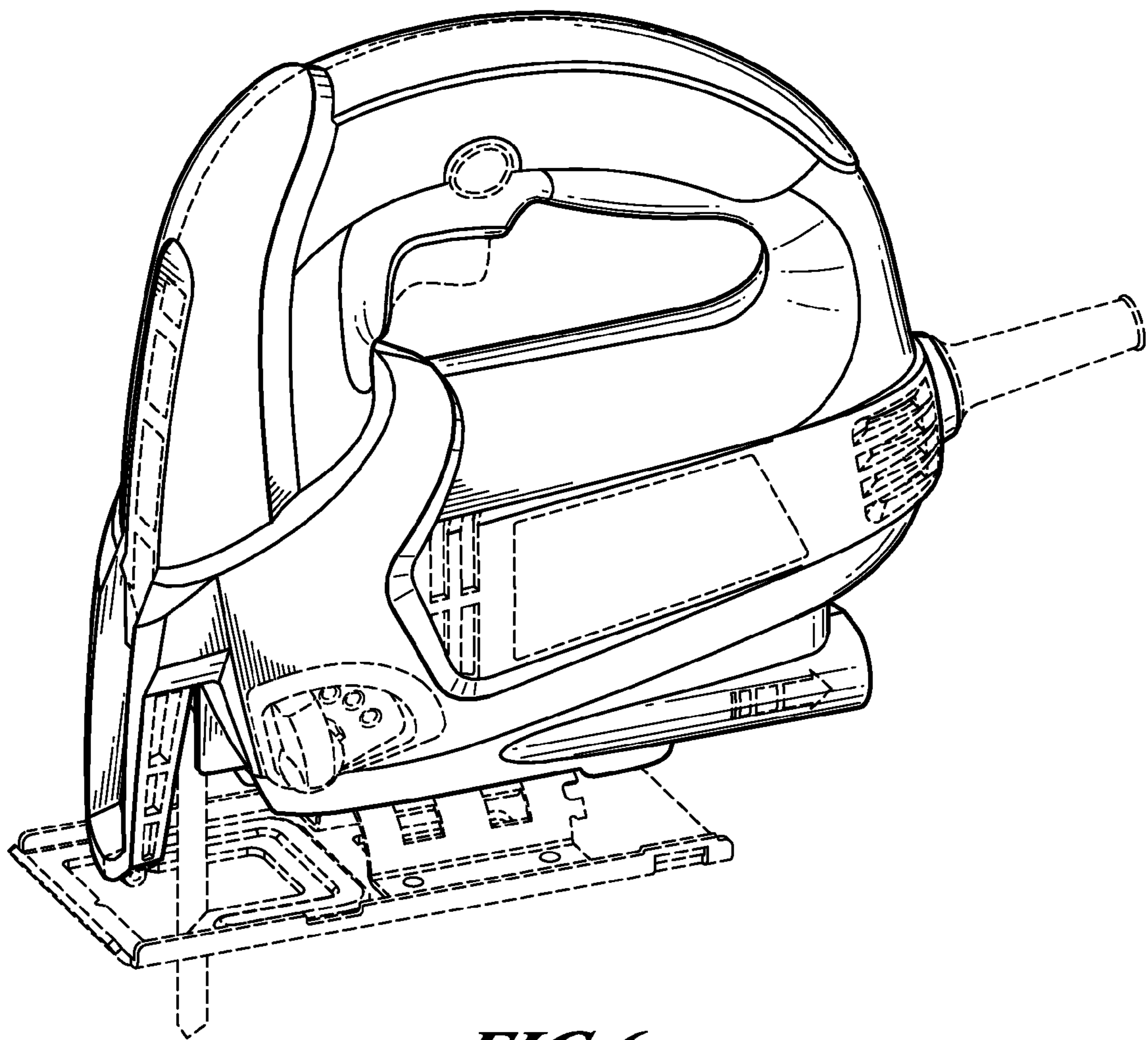


FIG. 6