



US00D573853S

(12) **United States Design Patent**  
**Ericsson**

(10) **Patent No.:** **US D573,853 S**

(45) **Date of Patent:** **\*\* Jul. 29, 2008**

(54) **SLICER FOR FRUITS AND VEGETABLES**

2004/0217219 A1\* 11/2004 Bitonto et al. .... 241/95  
2006/0101973 A1\* 5/2006 Repac et al. .... 83/651

\* cited by examiner

(75) Inventor: **Mikael Ericsson**, Hågersten (SE)

*Primary Examiner*—Terry A Wallace

(74) *Attorney, Agent, or Firm*—Dickstein Shapiro LLP

(73) Assignee: **EPU AG**, Hergiswil (CH)

(57) **CLAIM**

(\*\*) Term: **14 Years**

The ornamental design for a slicer for fruits and vegetables, as shown and described.

(21) Appl. No.: **29/274,983**

(22) Filed: **Jun. 14, 2007**

**DESCRIPTION**

(51) **LOC (8) Cl.** ..... **07-04**

FIG. 1 is a side perspective view of the slicer for fruits and vegetables of the present invention;

(52) **U.S. Cl.** ..... **D7/672**

FIG. 2 is a bottom perspective view of the slicer for fruits and vegetables of the present invention;

(58) **Field of Classification Search** ..... D7/672–676,  
D7/693, 381, 678; 30/114, 278, 279.6, 280,  
30/283, 286, 287, 289–291; 241/92–95,  
241/100, 168, 169, 169.1, 273.1–273.4, 274,  
241/275; 83/669, 856, 857, 870, 699.51,  
83/699.61, 932

FIG. 3 is a side view of the slicer for fruits and vegetables of the present invention;

FIG. 4 is a front view of the slicer for fruits and vegetables of the present invention;

See application file for complete search history.

FIG. 5 is a top perspective view of the slicer for fruits and vegetables of the present invention, with the slicer in an open position;

(56) **References Cited**

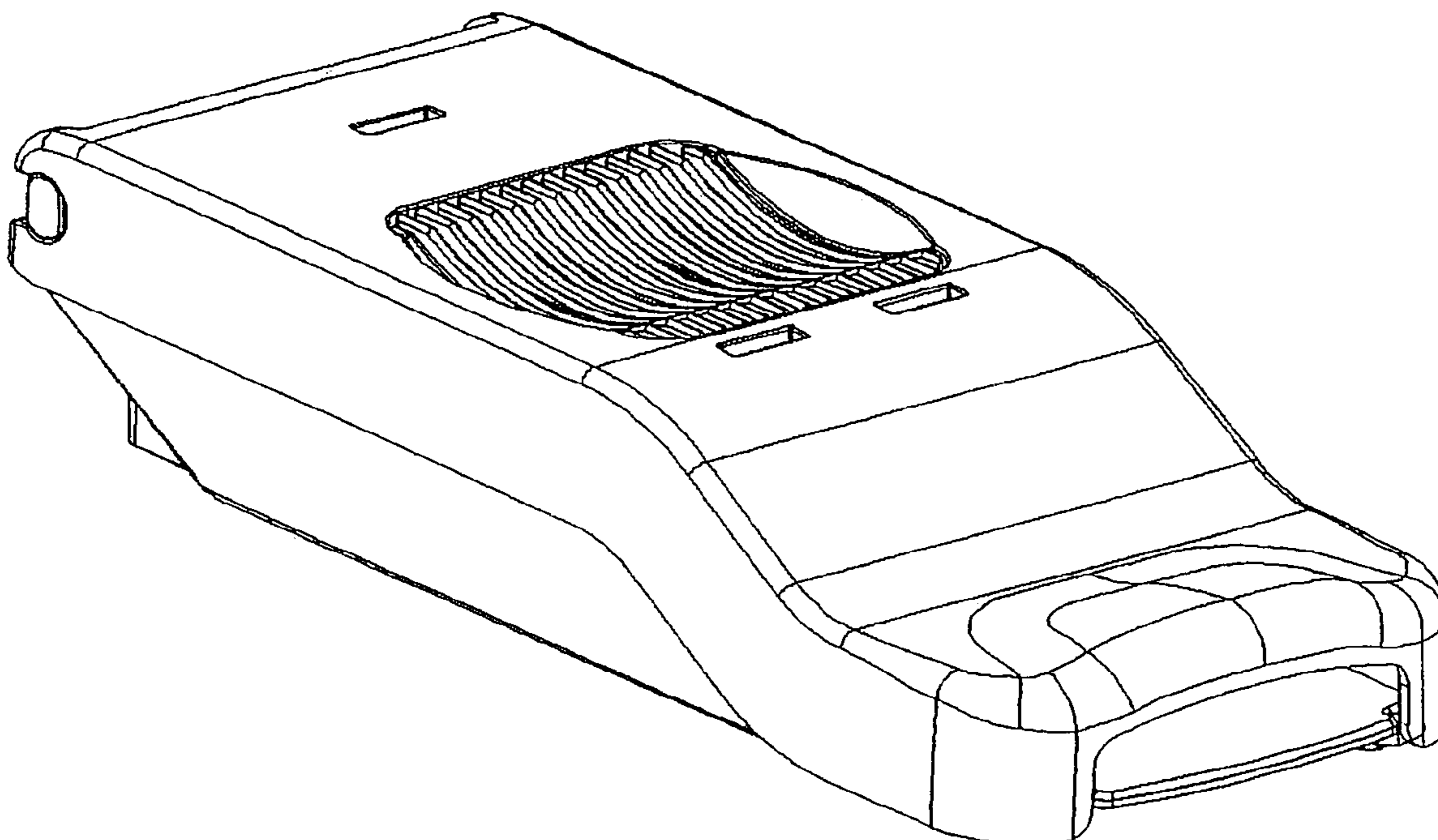
**U.S. PATENT DOCUMENTS**

4,212,431	A *	7/1980	Doyel	.....	241/100
D331,687	S *	12/1992	Pujol Gilbert	.....	D7/678
5,692,424	A *	12/1997	Wallace	.....	83/167
5,745,999	A *	5/1998	Zirkiev	.....	30/278
D408,693	S *	4/1999	Wong	.....	D7/667
6,082,645	A *	7/2000	Himmighofen et al.	.....	241/168
D447,391	S *	9/2001	Bodum	.....	D7/678

FIG. 6 is a bottom perspective view of the slicer for fruits and vegetables of the present invention, with the slicer in an open position; and,

FIG. 7 is a side view of the slicer for fruits and vegetables of the present invention similar to FIG. 3, but with the slicer in an open position.

**1 Claim, 5 Drawing Sheets**



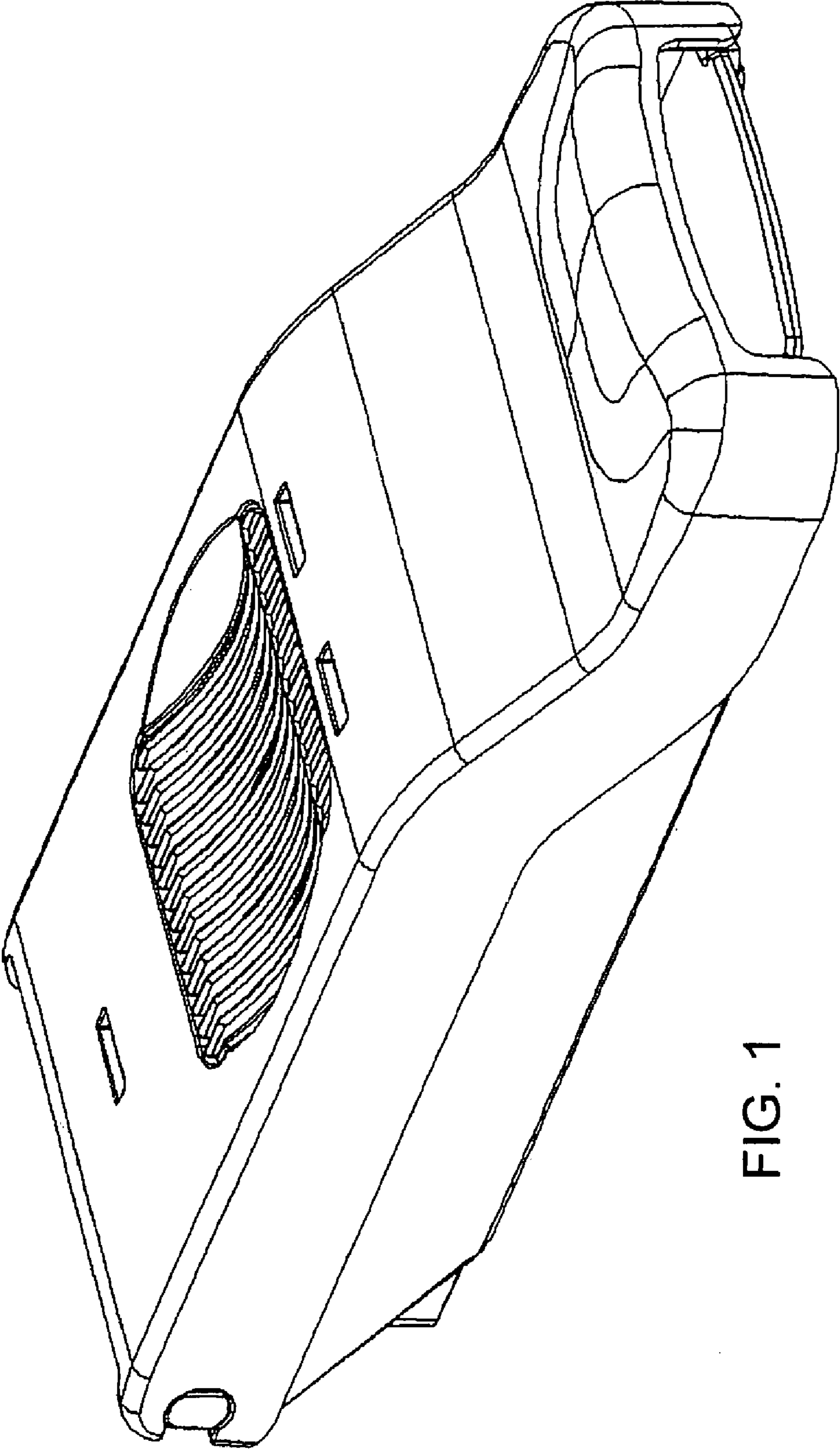


FIG. 1

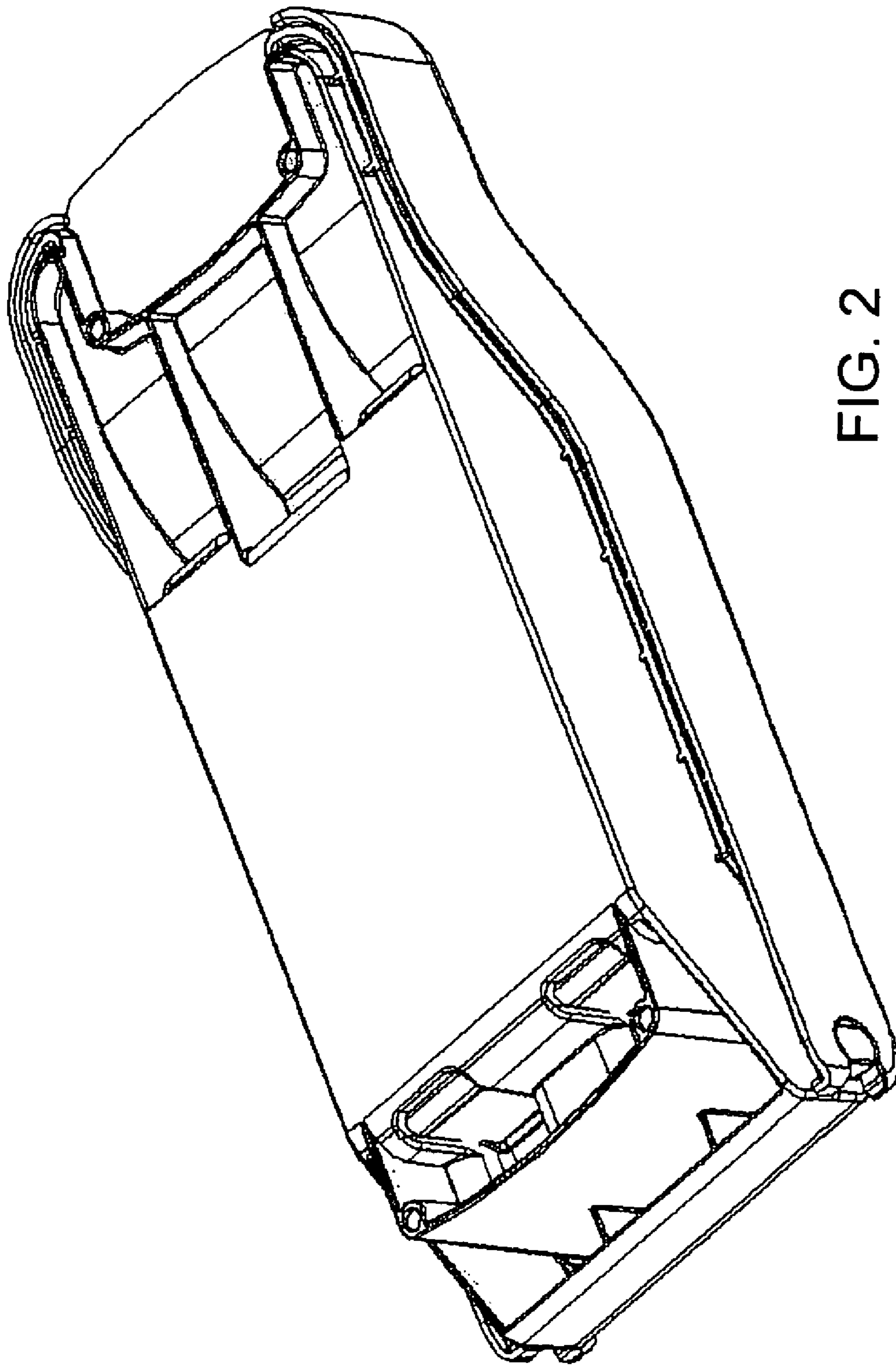


FIG. 2

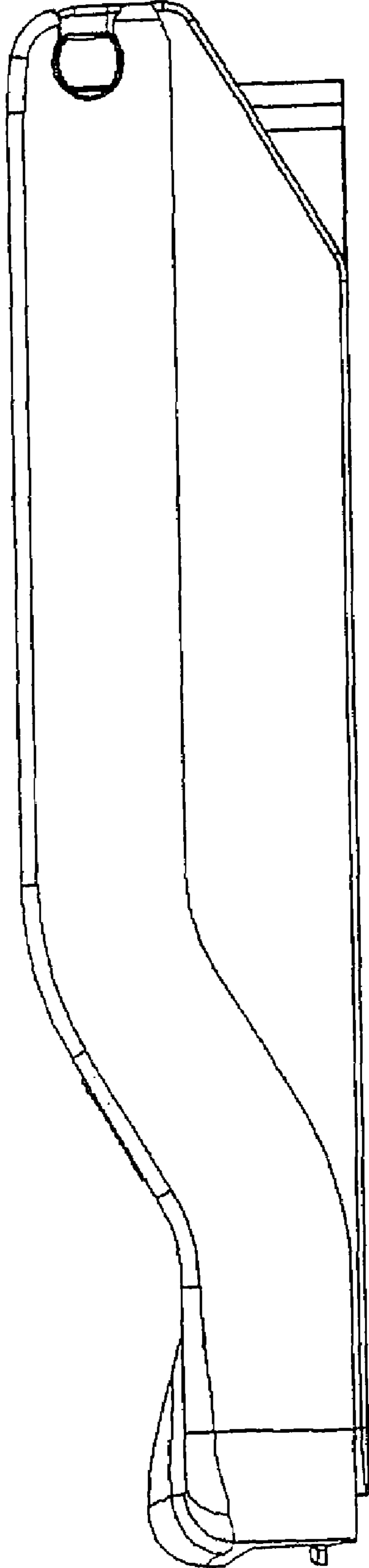


FIG. 3

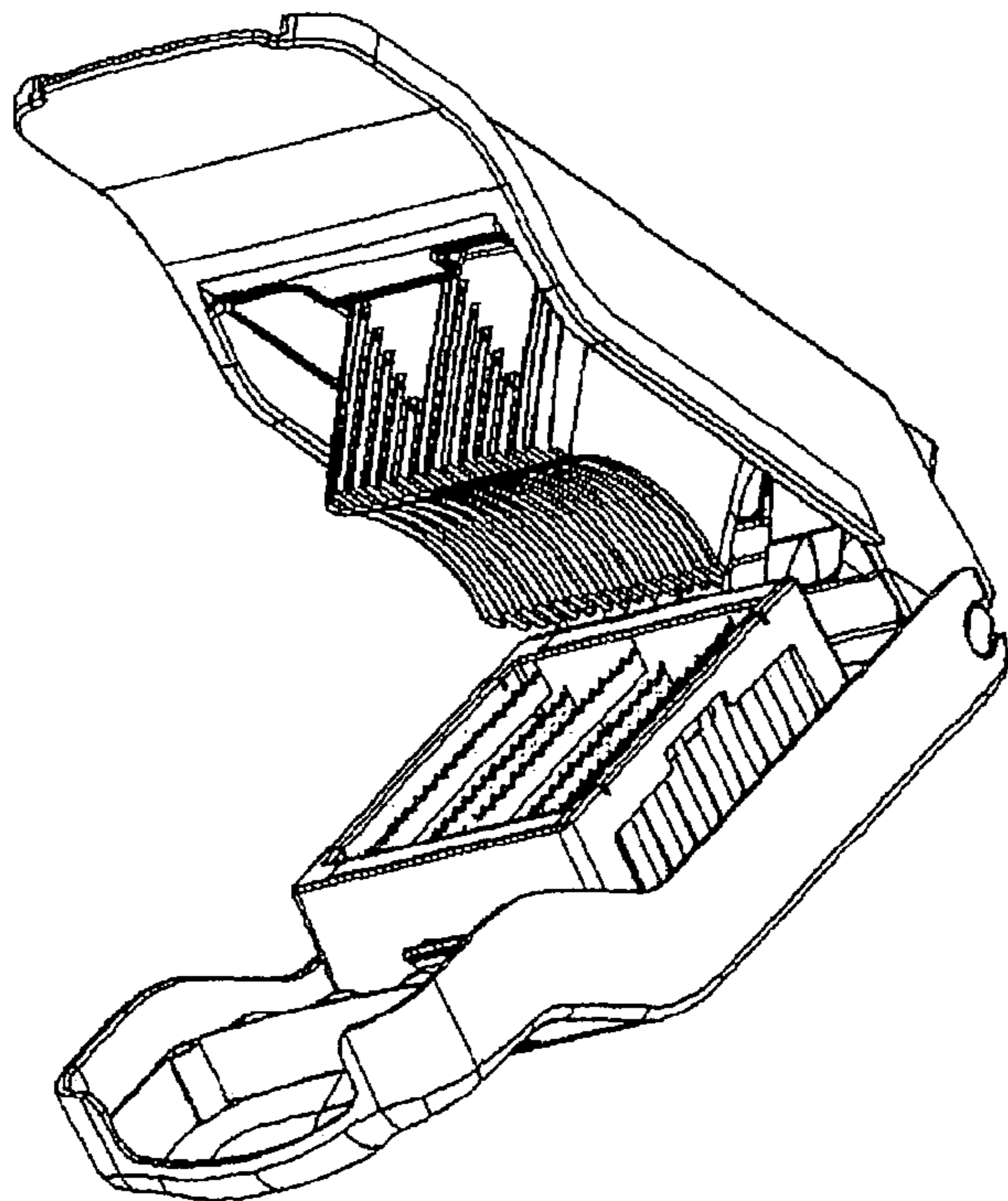


FIG. 5

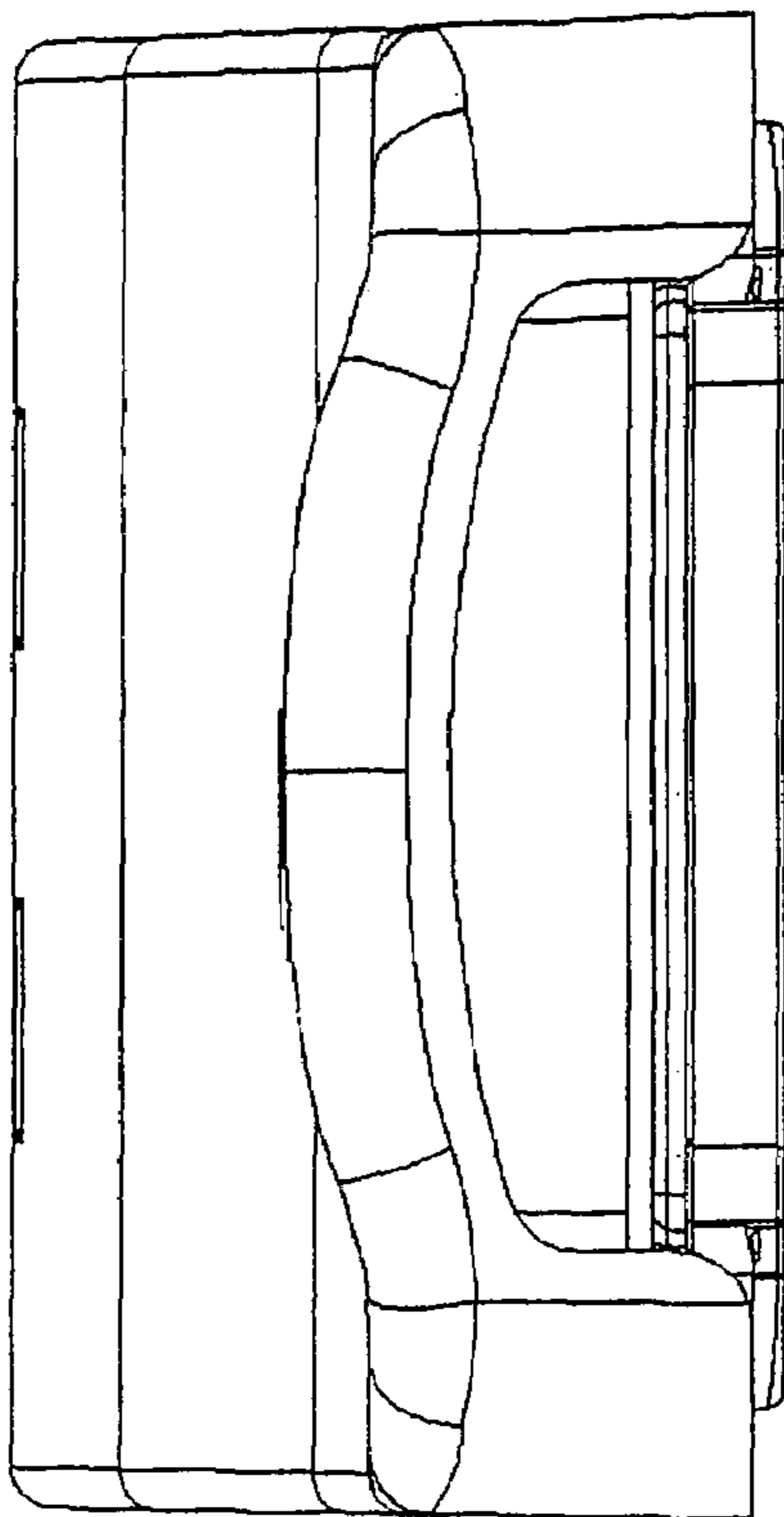


FIG. 4

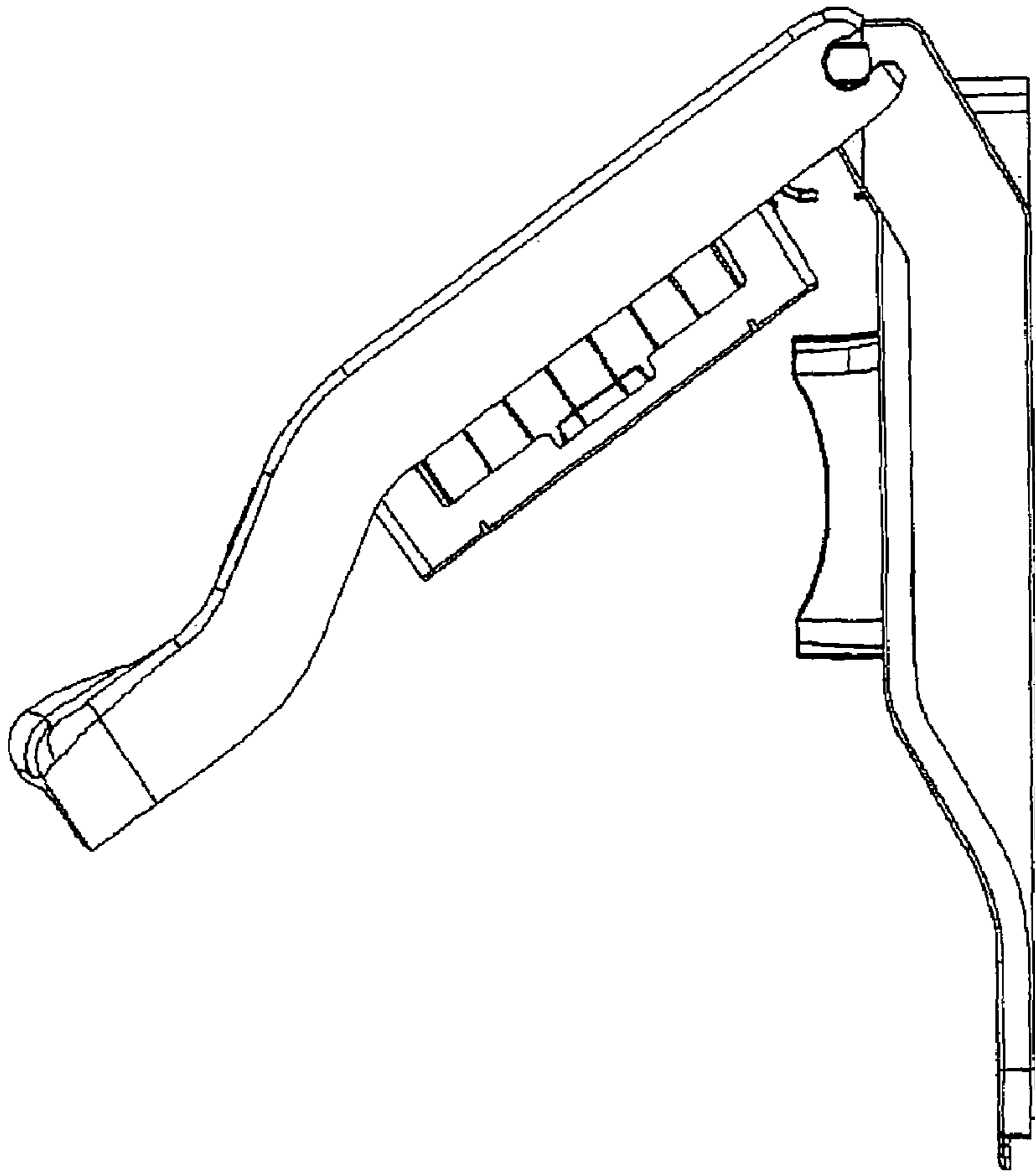


FIG. 7

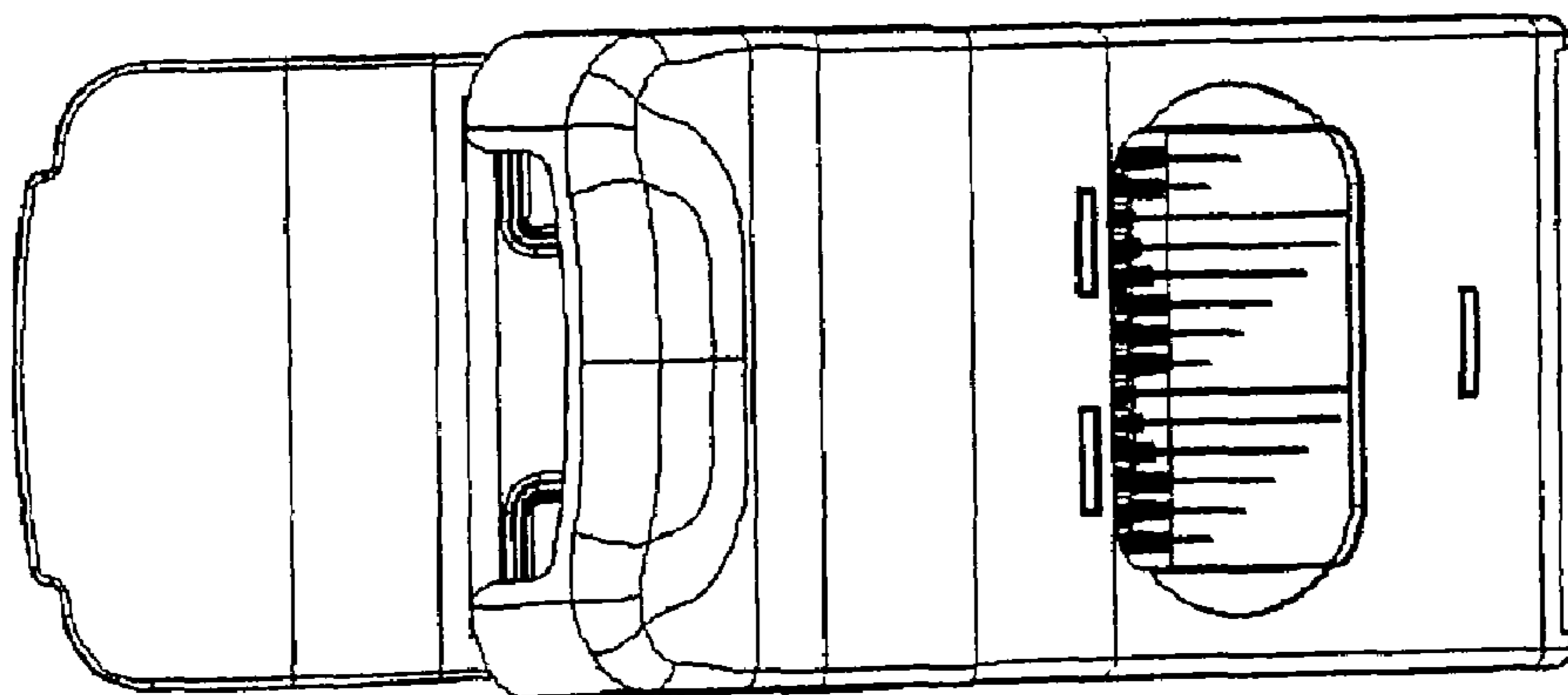


FIG. 6