



US00D573850S

(12) **United States Design Patent**  
**Curtin**

(10) **Patent No.:** **US D573,850 S**  
(45) **Date of Patent:** **\*\* Jul. 29, 2008**

(54) **CHEESE KNIFE**

(75) Inventor: **Heather Curtin**, Renton, WA (US)

(73) Assignee: **Progressive International Corporation**,  
Kent, WA (US)

(\*\*) Term: **14 Years**

(21) Appl. No.: **29/299,850**

(22) Filed: **Jan. 4, 2008**

(51) **LOC (8) Cl.** ..... **07-03**

(52) **U.S. Cl.** ..... **D7/649**

(58) **Field of Classification Search** ..... D7/393,  
D7/395, 401.2, 642-646, 649-653, 662-664,  
D7/688, 695-696; D8/10, 36, 75, 80, 83,  
D8/87, 98, 99, 102, 107, 300, 303; 30/123.5-123.7,  
30/124-125, 128, 142, 143, 147-149, 169,  
30/304, 316, 329, 340, 342-346, 353, 355,  
30/394

See application file for complete search history.

(56) **References Cited**

**U.S. PATENT DOCUMENTS**

D403,204 S \* 12/1998 Kwok ..... D7/401.2  
D417,132 S \* 11/1999 Schneider ..... D8/107

D439,806 S \* 4/2001 Juhlin et al. .... D7/650  
D525,088 S \* 7/2006 Fort et al. .... D7/652  
D545,637 S \* 7/2007 Curtin ..... D7/650  
D552,430 S \* 10/2007 Chen ..... D7/649  
D554,949 S \* 11/2007 Hood ..... D7/650

\* cited by examiner

*Primary Examiner*—Stella M. Reid

*Assistant Examiner*—Ricky Pham

(74) *Attorney, Agent, or Firm*—Black Lowe & Graham,  
PLLC

(57) **CLAIM**

I claim the ornamental design for the cheese knife, as shown.

**DESCRIPTION**

FIG. 1 is a perspective view of a cheese knife showing my new design;

FIG. 2 is a front view of the cheese knife, the back side view being a mirror image;

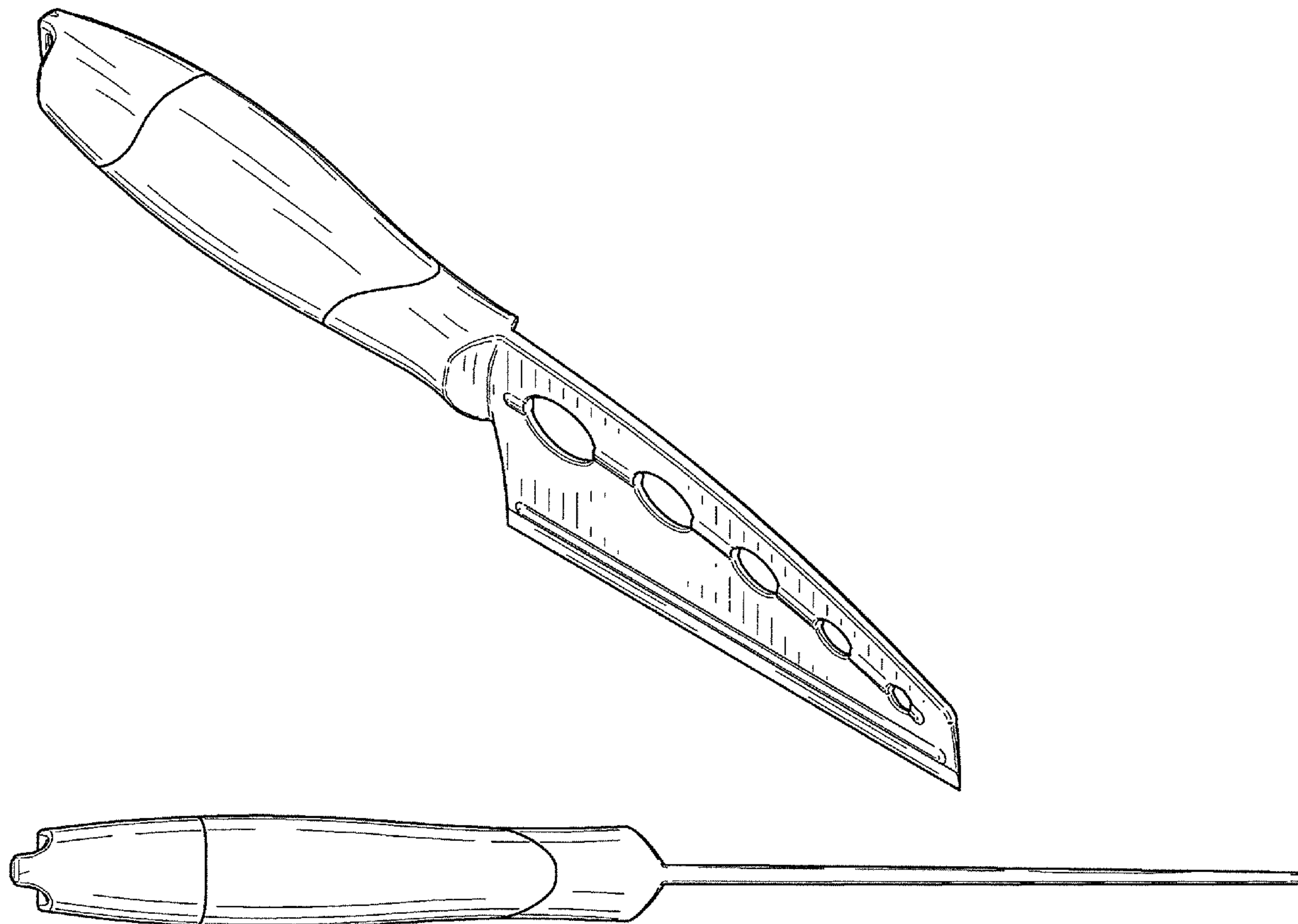
FIG. 3 is a top view of the cheese knife;

FIG. 4 is a bottom view of the cheese knife;

FIG. 5 is a right side view of the cheese knife; and,

FIG. 6 is a left side view of the cheese knife.

**1 Claim, 3 Drawing Sheets**



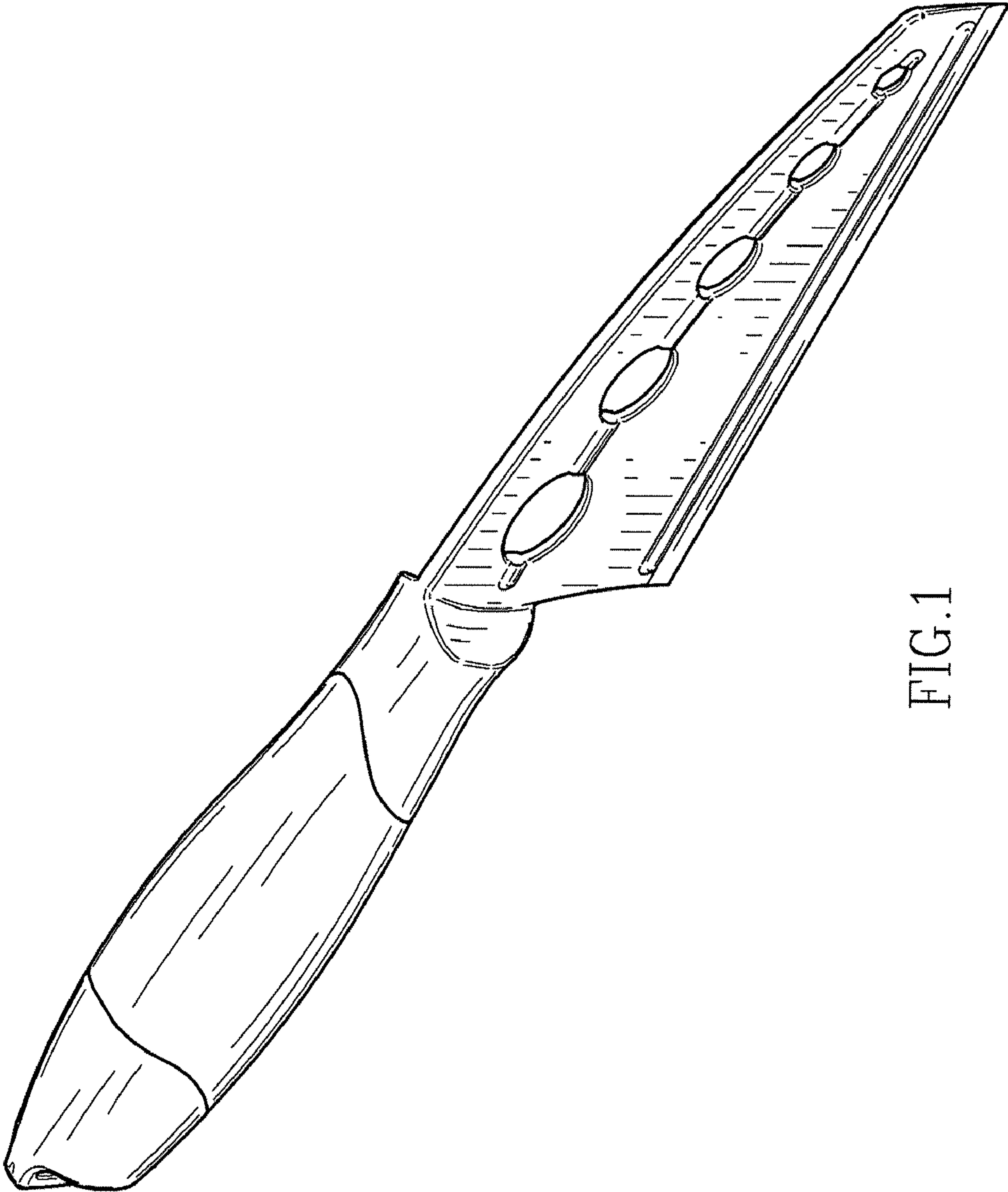


FIG.1

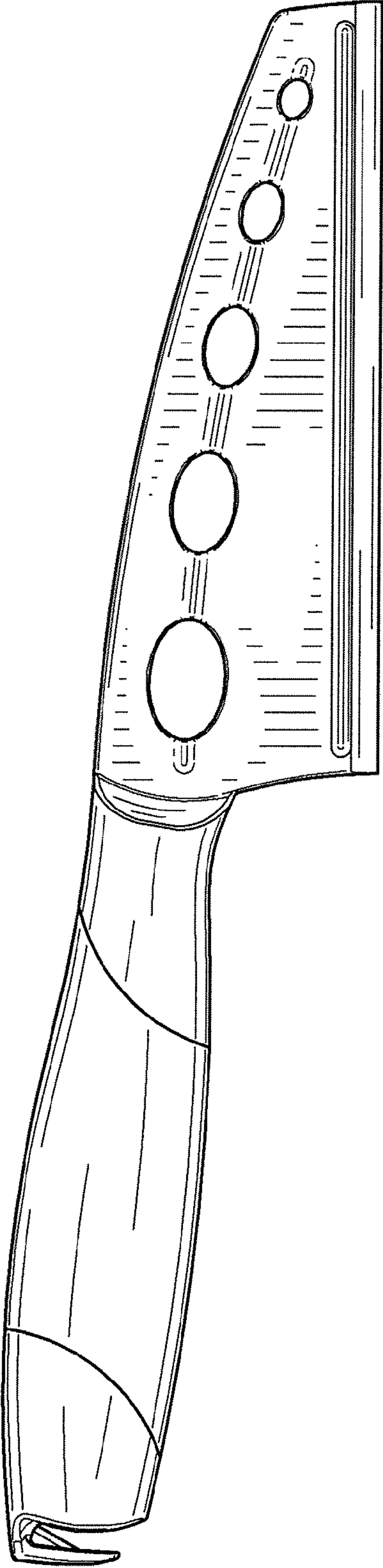


FIG. 2

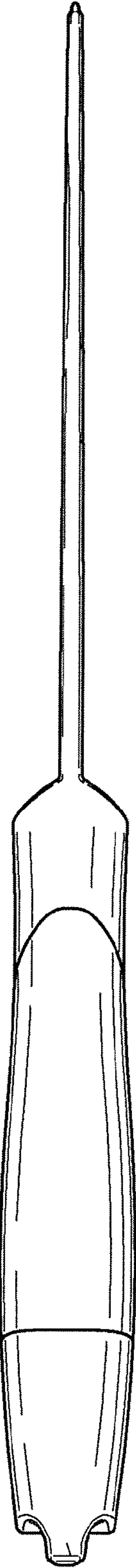


FIG. 3

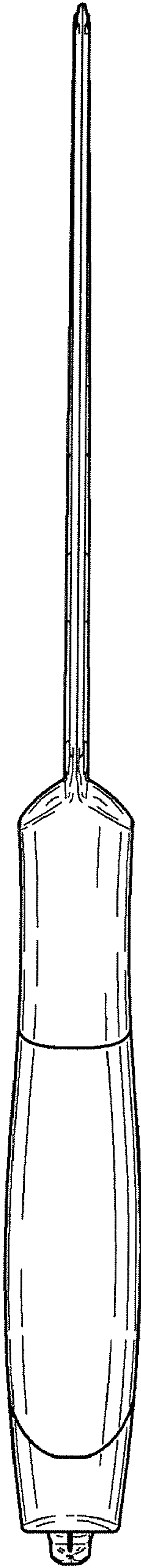


FIG. 4

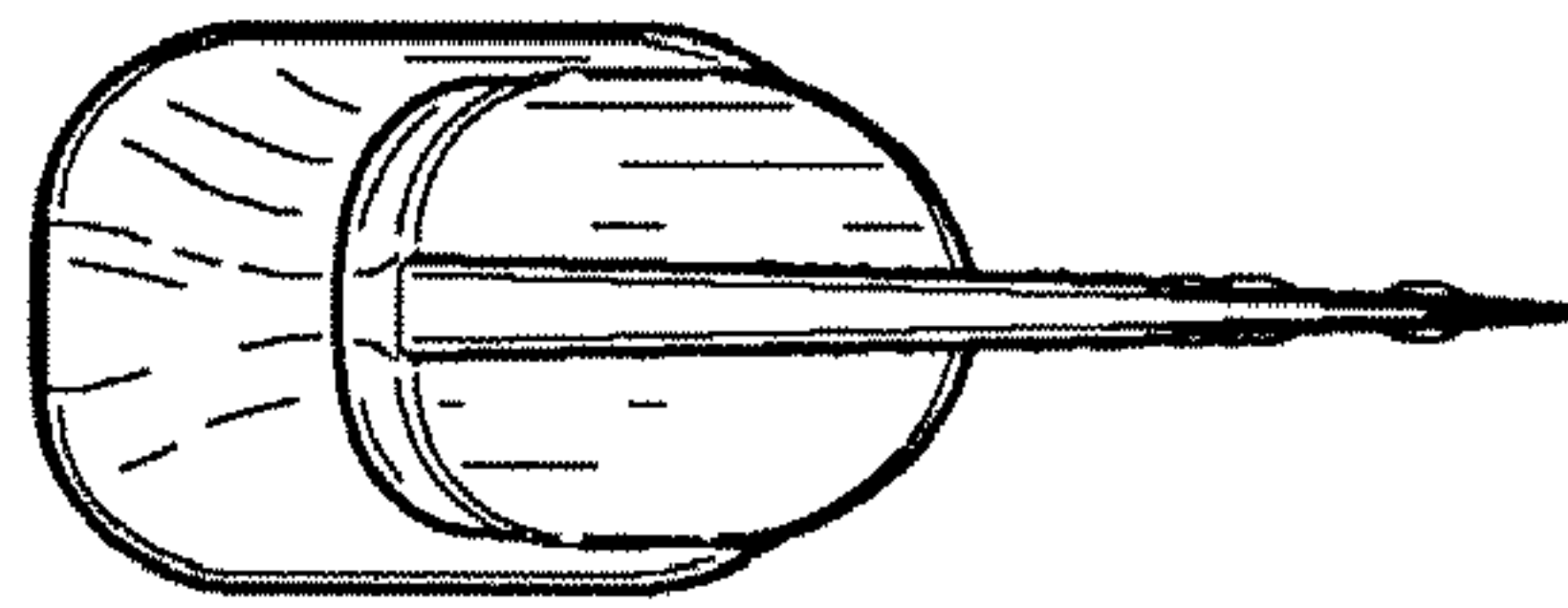


FIG. 5

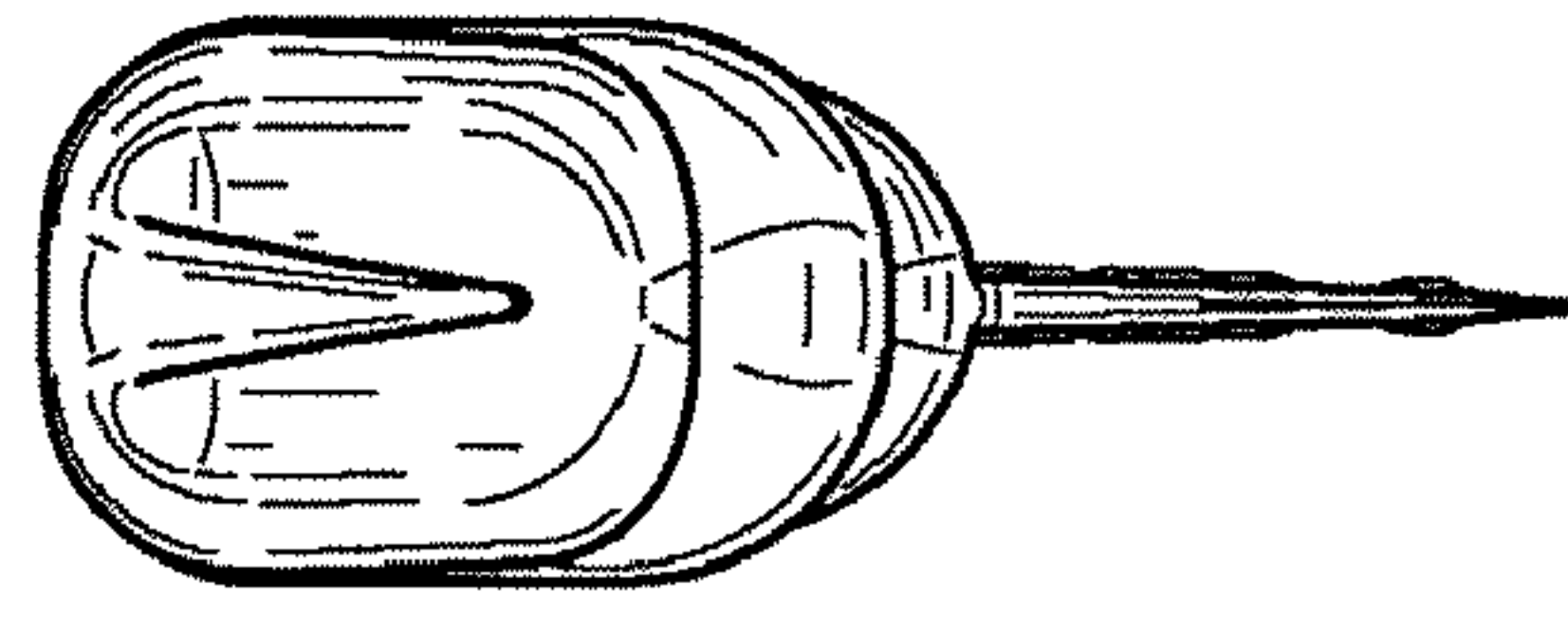


FIG. 6