



US00D573847S

(12) **United States Design Patent**
Bizzell et al.

(10) **Patent No.:** **US D573,847 S**
(45) **Date of Patent:** **** *Jul. 29, 2008**

(54) **SERVING TRAY**

(75) Inventors: **Daniel Lee Bizzell**, Davidson, NC (US);
Ian D. Kovacevich, Charlotte, NC (US)

(73) Assignee: **SnacDaddy, LLC**, Charlotte, NC (US)

(**) Term: **14 Years**

(21) Appl. No.: **29/296,775**

(22) Filed: **Oct. 27, 2007**

Related U.S. Application Data

(63) Continuation of application No. 11/464,399, filed on Aug. 14, 2006.

(51) **LOC (8) Cl.** **07-01**

(52) **U.S. Cl.** **D7/629; D7/541; D7/553.6; D7/554.2**

(58) **Field of Classification Search** D7/600.1–600.4,
D7/602, 629, 501, 538–542, 550.1, 553.1,
D7/553.6, 554.1, 554.2, 555, 557; 220/574–575,
220/23.83, 212, 675, 780–806

See application file for complete search history.

(56) **References Cited**

U.S. PATENT DOCUMENTS

1,858,728 A	5/1932	Creighton	
2,322,665 A	6/1943	Ryan	
D160,688 S	10/1950	Brock	
D221,883 S *	9/1971	Cash	D7/553.6
3,811,594 A	5/1974	Paulucci	
4,351,164 A	9/1982	Christiani	
D285,638 S *	9/1986	Trivison	D7/557
4,865,219 A	9/1989	Logan et al.	
D304,658 S *	11/1989	Mattei	D7/505
D312,026 S	11/1990	Antoni et al.	
D401,810 S	12/1998	Swift	
5,894,944 A	4/1999	Swift	

6,042,856 A	3/2000	Sagan et al.	
6,168,813 B1 *	1/2001	Blazevich	426/132
D449,966 S *	11/2001	DeMars	D7/555
6,401,927 B1	6/2002	Sorensen et al.	
D460,897 S *	7/2002	Leuenberger	D7/553.8
6,514,548 B2 *	2/2003	Lin	426/124
6,550,630 B1 *	4/2003	Krupa	220/575
6,783,017 B2	8/2004	Griffin	
D496,831 S	10/2004	Strahota et al.	
2007/0062965 A1	3/2007	Anderson et al.	

OTHER PUBLICATIONS

IDS Submission Letter including Exhibit A (5 pages of photographs and illustrations) filed concurrently herewith.

- U.S. Design Appl. No. 29/295,784.
- U.S. Design Appl. No. 29/295,925.
- U.S. Design Appl. No. 29/295,927.
- U.S. Design Appl. No. 29/296,773.
- U.S. Design Appl. No. 29/296,774.
- Bizzell U.S. Design Appl. No. 29/296,774, filed Oct. 27, 2007.
- Bizzell U.S. Design Appl. No. 29/295,784, filed Oct. 5, 2007.
- Bizzell U.S. Design Appl. No. 29/295,925, filed Oct. 10, 2007.
- Bizzell U.S. Design Appl. No. 29/295,927, filed Oct. 10, 2007.
- Bizzell U.S. Design Appl. No. 29/296,773, filed Oct. 27, 2007.

* cited by examiner

Primary Examiner—Terry A Wallace

(74) *Attorney, Agent, or Firm*—Tillman Wright, PLLC; Chad D. Tillman; James D. Wright

(57) **CLAIM**

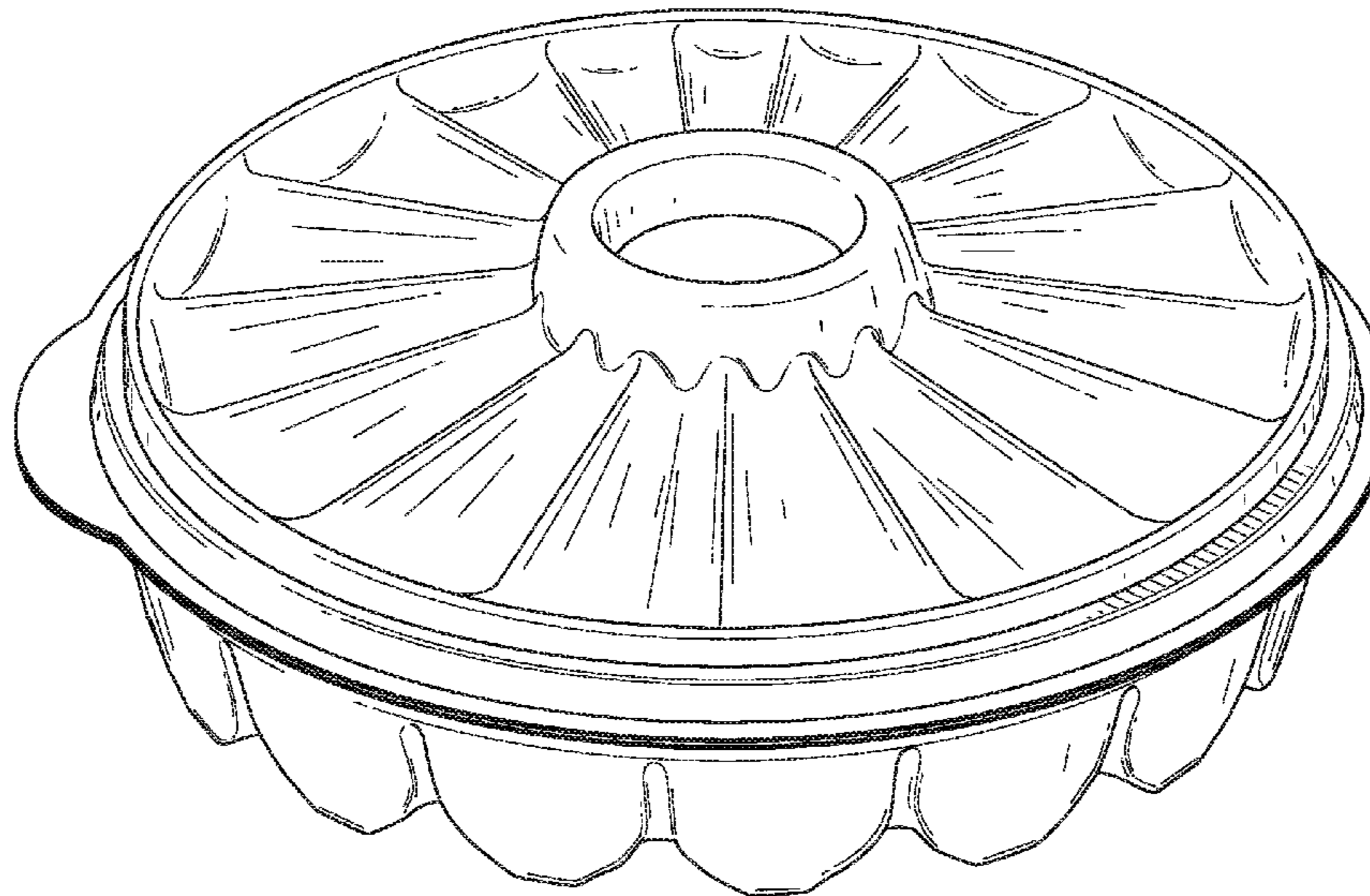
The ornamental design for a serving tray, as shown and described.

DESCRIPTION

FIG. 1 is a perspective view of a serving tray in accordance with an embodiment of the present invention; and,

FIG. 2 is a side elevational view of the serving tray of FIG. 1.

1 Claim, 2 Drawing Sheets



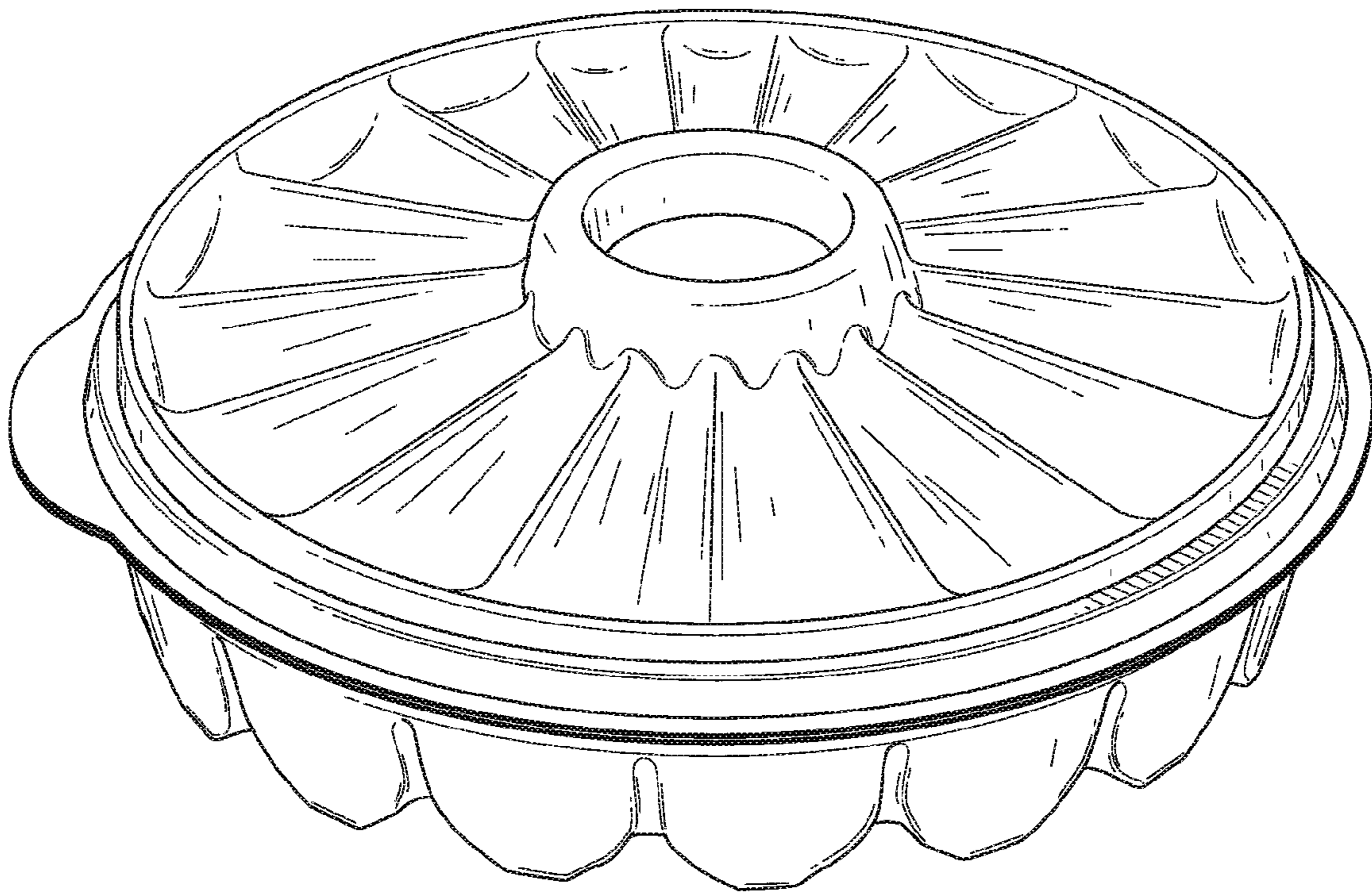


FIG. 1

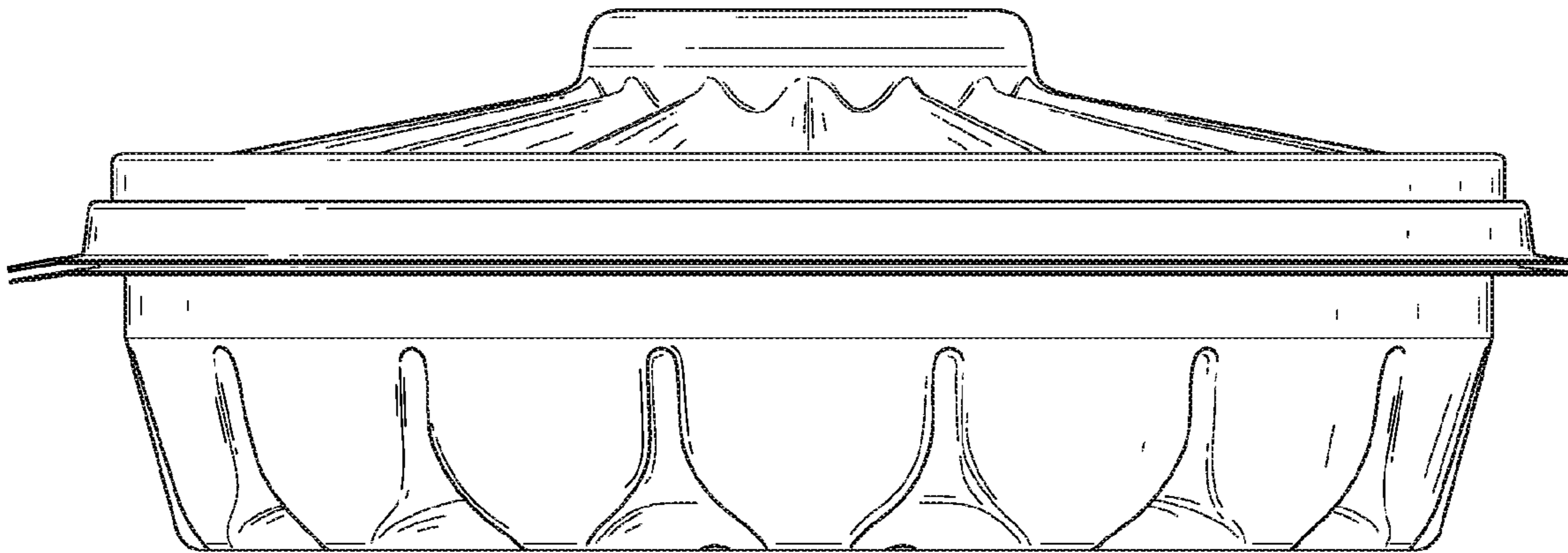


FIG. 2