



US00D573844S

(12) **United States Design Patent**  
**Hanson et al.**

(10) **Patent No.:** **US D573,844 S**  
(45) **Date of Patent:** **\*\* Jul. 29, 2008**

(54) **SAND BUCKET/COOLER**

(75) Inventors: **Donald S. Hanson**, Evans, GA (US);  
**Richard Krall**, Augusta, GA (US);  
**Bradley J. Hanson**, North Augusta, SC  
(US); **Kent H. Bruntz**, Evans, GA (US);  
**Charles Louison**, Piscataway, NJ (US);  
**Bruce Simmons**, Rincon, GA (US)

D381,512 S \* 7/1997 Green ..... D3/294  
D398,816 S \* 9/1998 Koutsouflakis ..... D7/605  
D407,609 S \* 4/1999 Rausch ..... D7/605  
D422,555 S \* 4/2000 Bergh ..... D7/607  
D448,623 S \* 10/2001 Gatipon et al. .... D7/605  
D464,485 S \* 10/2002 Sward et al. .... D3/294  
D502,059 S \* 2/2005 Bukowski et al. .... D7/605  
D513,870 S \* 1/2006 Rosine et al. .... D3/273  
D514,893 S \* 2/2006 Bellofatto et al. .... D7/605

(73) Assignee: **Textron Inc.**, Providence, RI (US)

\* cited by examiner

(\*\*) Term: **14 Years**

*Primary Examiner*—Terry A Wallace

(21) Appl. No.: **29/282,590**

(74) *Attorney, Agent, or Firm*—Harness Dickey & Pierce  
P.L.C.

(22) Filed: **Jul. 25, 2007**

(57) **CLAIM**

(51) **LOC (8) Cl.** ..... **07-01**

The ornamental design for a sand bucket/cooler, as shown and described.

(52) **U.S. Cl.** ..... **D7/605**

(58) **Field of Classification Search** ..... D7/605–608,  
D7/602, 629, 709, 538–542; 62/457.1–457.9,  
62/371, 372; 206/541, 545, 546, 548, 549;  
D3/273, 276, 291, 282, 294, 901; 220/915.1,  
220/915.2, 592.01, 592.03, 592.09, 592.16,  
220/592.2; D32/53, 53.1

**DESCRIPTION**

FIG. 1 is a front perspective view of a sand bucket/cooler;  
FIG. 2 is a front view thereof;  
FIG. 3 is a back view thereof;  
FIG. 4 is a top view thereof; and,  
FIG. 5 is a left side view thereof, the left side view being a  
mirror image thereof.

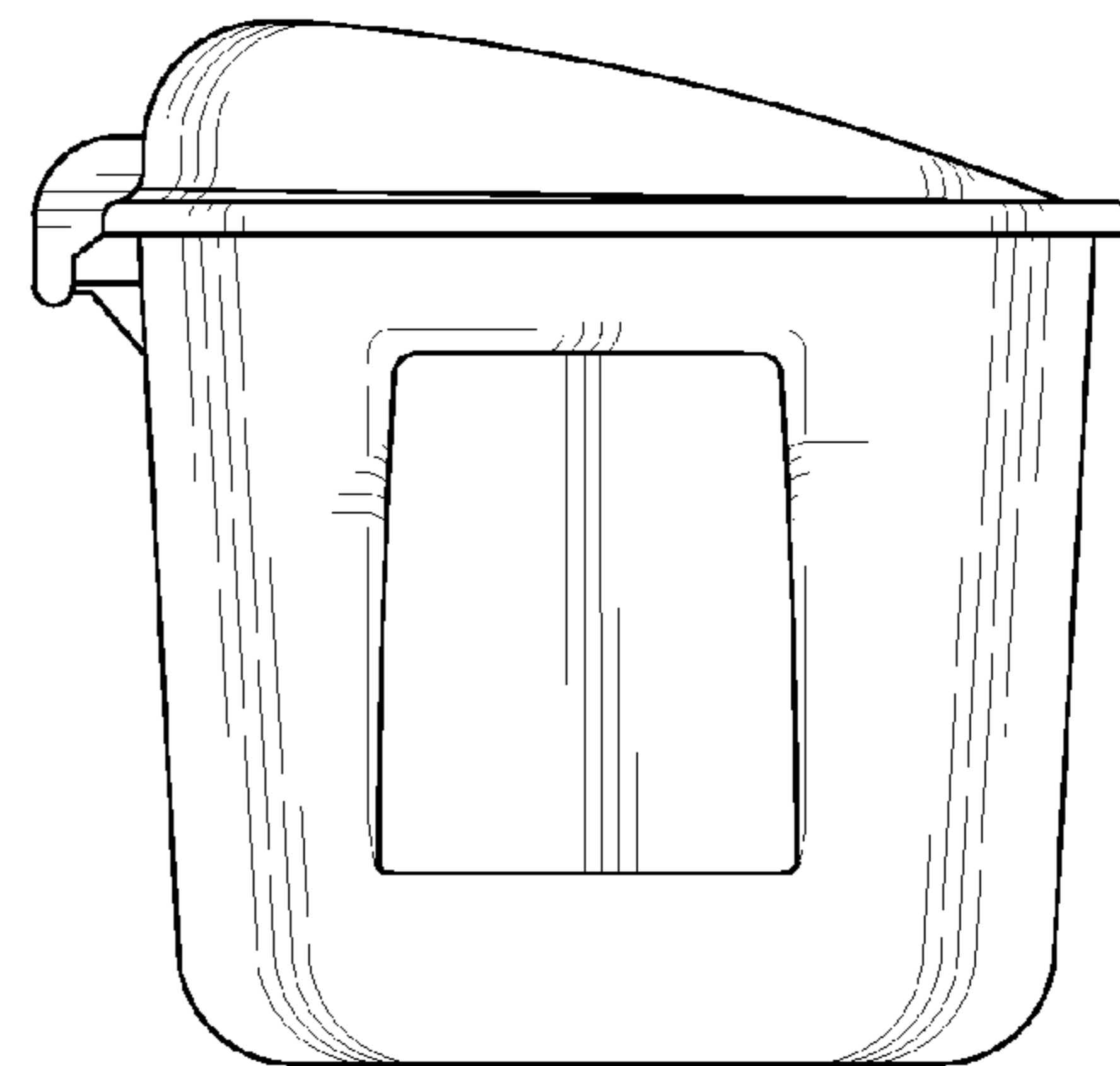
See application file for complete search history.

(56) **References Cited**

**U.S. PATENT DOCUMENTS**

D351,318 S \* 10/1994 Wedi ..... D7/605

**1 Claim, 2 Drawing Sheets**



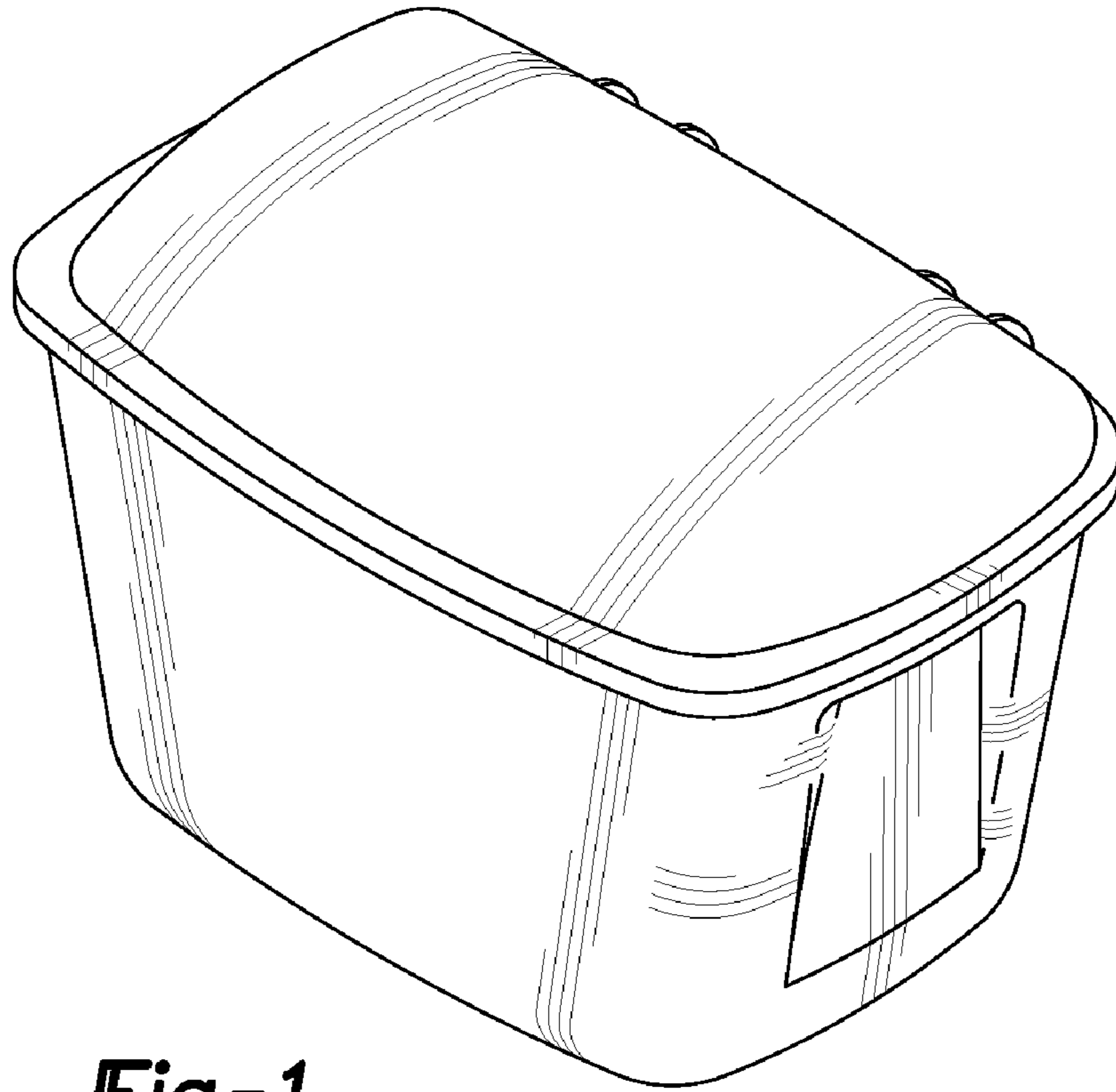


Fig-1

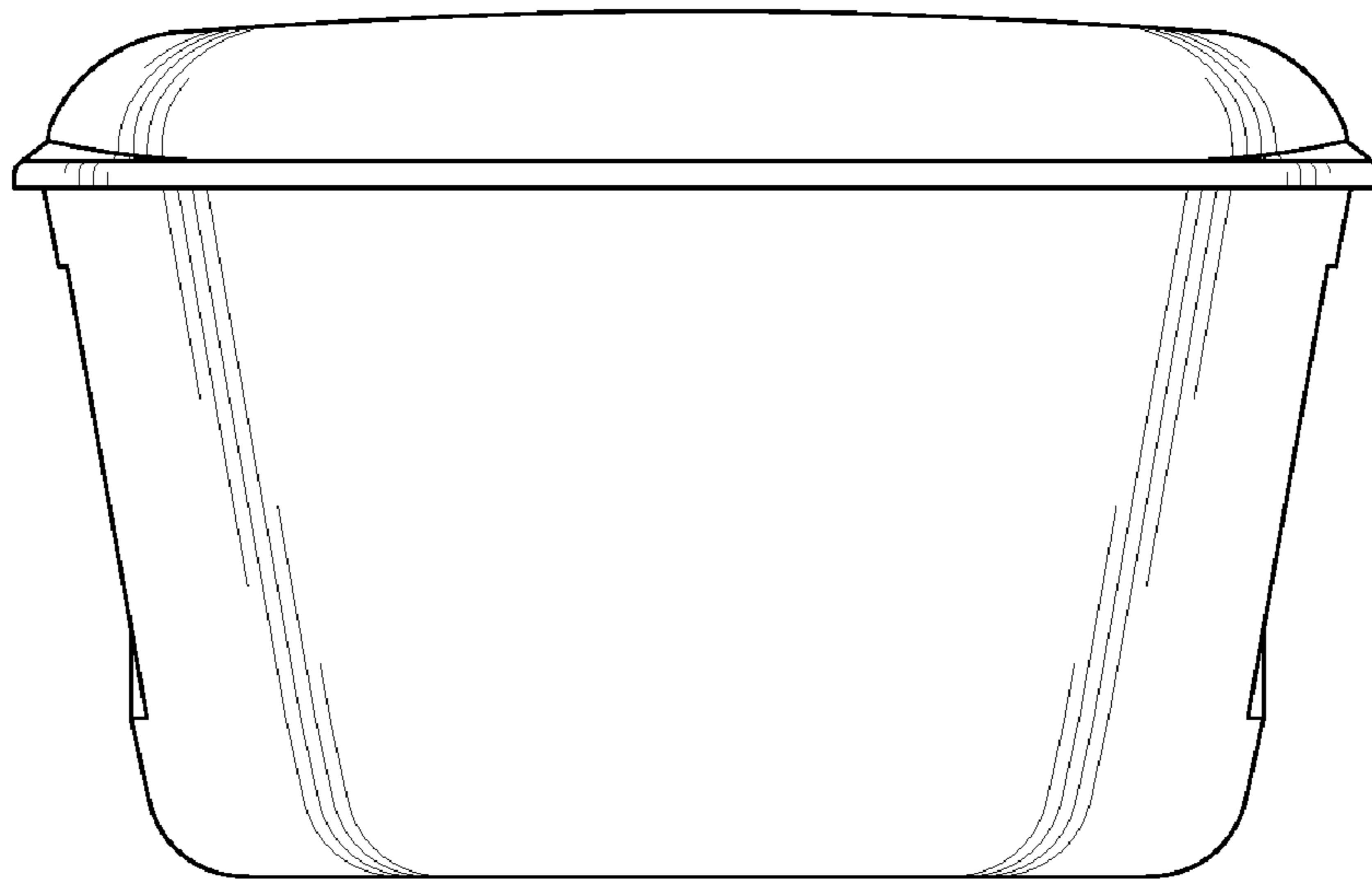


Fig-2

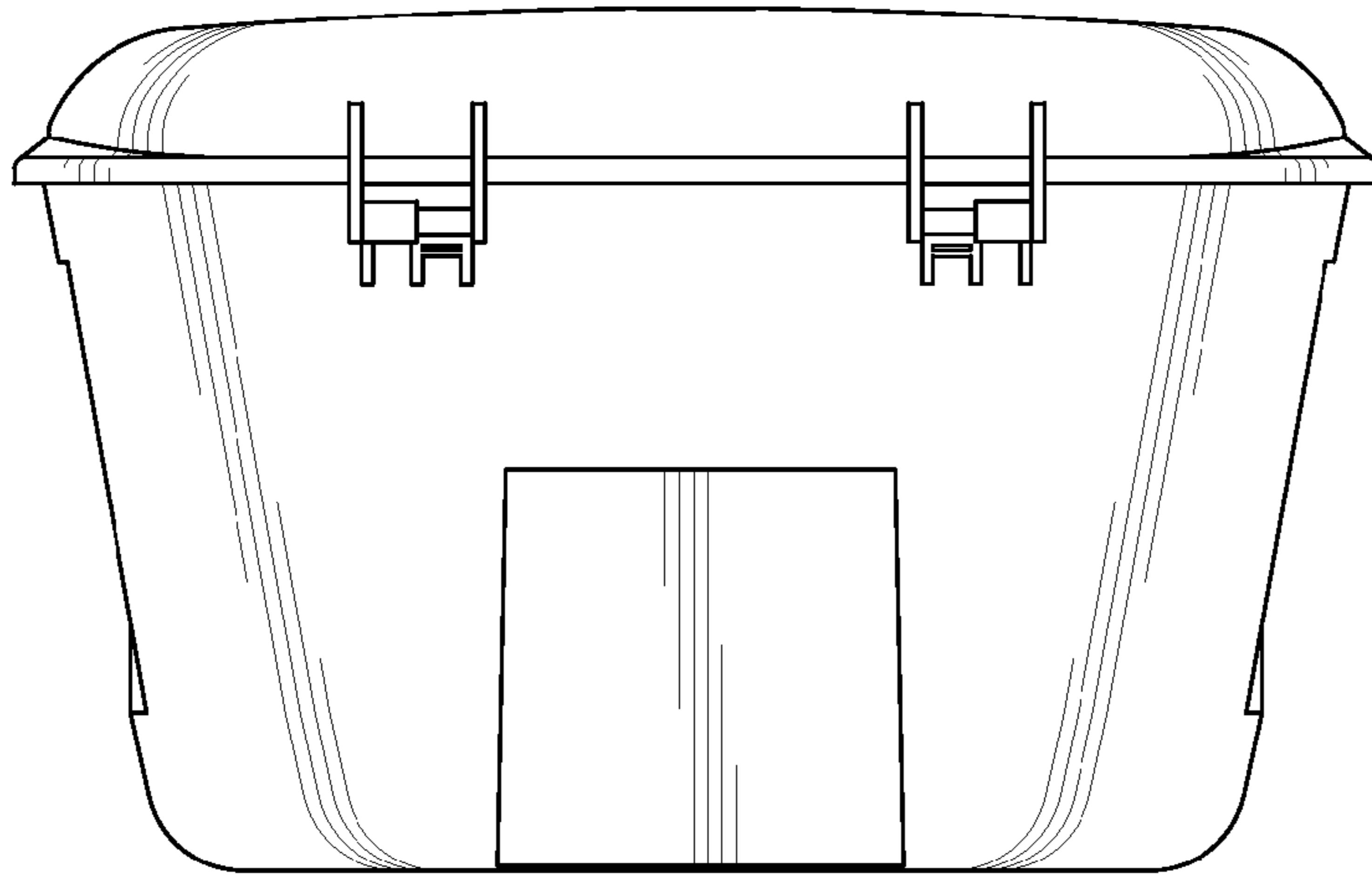


Fig-3

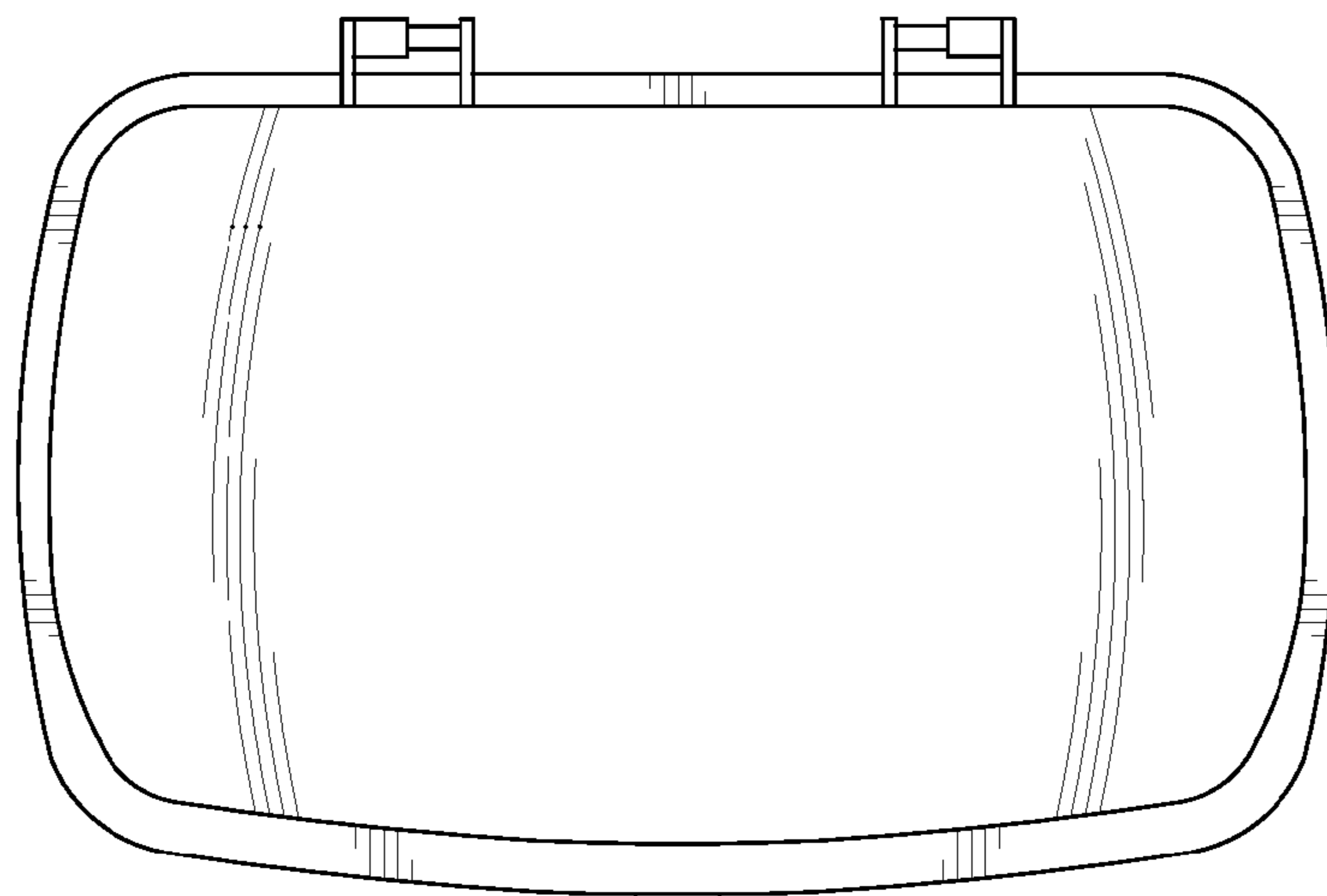


Fig-4

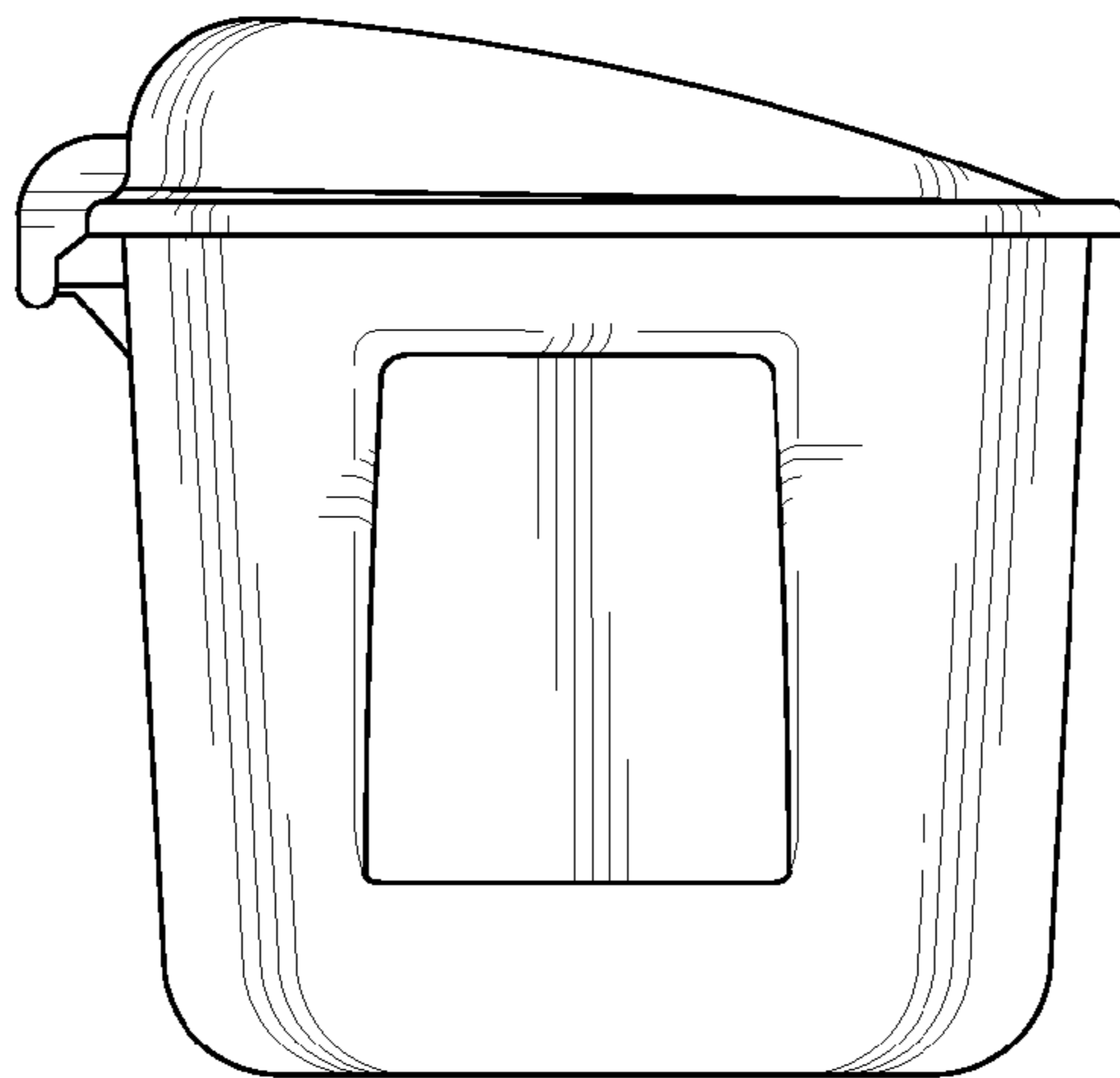


Fig-5