



US00D573841S

(12) **United States Design Patent**  
**Palmer**

(10) **Patent No.:** **US D573,841 S**

(45) **Date of Patent:** **\*\* Jul. 29, 2008**

(54) **FOLDING TRAY**

(75) Inventor: **Jonathan Palmer**, Hailsham (GB)

(73) Assignee: **Mitchell & Cooper Limited**, Uckfield, Sussex (GB)

(\*\*) Term: **14 Years**

(21) Appl. No.: **29/265,855**

(22) Filed: **Sep. 8, 2006**

(51) **LOC (8) Cl.** ..... **07-01**

(52) **U.S. Cl.** ..... **D7/553.4; D7/557**

(58) **Field of Classification Search** ..... D7/542, D7/545, 550.1, 552.1, 553.1, 553.6, 554.2, D7/555, 669, 682, 688, 683, 686, 354, 356, D7/360, 376, 380, 553.4, 553.7, 642, 566, D7/570, 501; D9/424, 425, 428, 429, 431, D9/500, 502, 737, 761, 420, 422-426, 414-418; 220/904, 23.83, 574, 212, 657, 659, 755, 220/771, 555-557, 500, 506, 528, 529; 206/821, 206/822, 223, 541, 557, 564; 426/106, 119, 426/120, 127; D10/64, 46.3

See application file for complete search history.

(56) **References Cited**

**U.S. PATENT DOCUMENTS**

D266,820 S \* 11/1982 Ferrin ..... D10/46.3  
D339,507 S \* 9/1993 Ancona et al. .... D7/698  
D345,512 S \* 3/1994 Gaenzle ..... D10/64

5,765,689 A \* 6/1998 Cobden et al. .... 206/562  
D399,704 S \* 10/1998 Cousins ..... D7/553.4  
D426,110 S \* 6/2000 Schmidt ..... D7/553.4  
D460,365 S \* 7/2002 Bloom ..... D10/64  
D477,238 S \* 7/2003 Torres ..... D10/64  
D487,673 S \* 3/2004 Mishan ..... D7/553.4  
7,284,675 B2 \* 10/2007 Chang ..... 220/574

\* cited by examiner

*Primary Examiner*—Charles A. Rademaker

*Assistant Examiner*—Charles D Hanson

(74) *Attorney, Agent, or Firm*—Downs Rachlin Martin PLLC

(57) **CLAIM**

The ornamental design for a folding tray, as shown and described.

**DESCRIPTION**

FIG. 1 is a perspective view of a folding tray showing my new design, in the folded position;

FIG. 2 is a perspective view thereof, in a partially folded position;

FIG. 3 is a perspective view thereof, in the unfolded position;

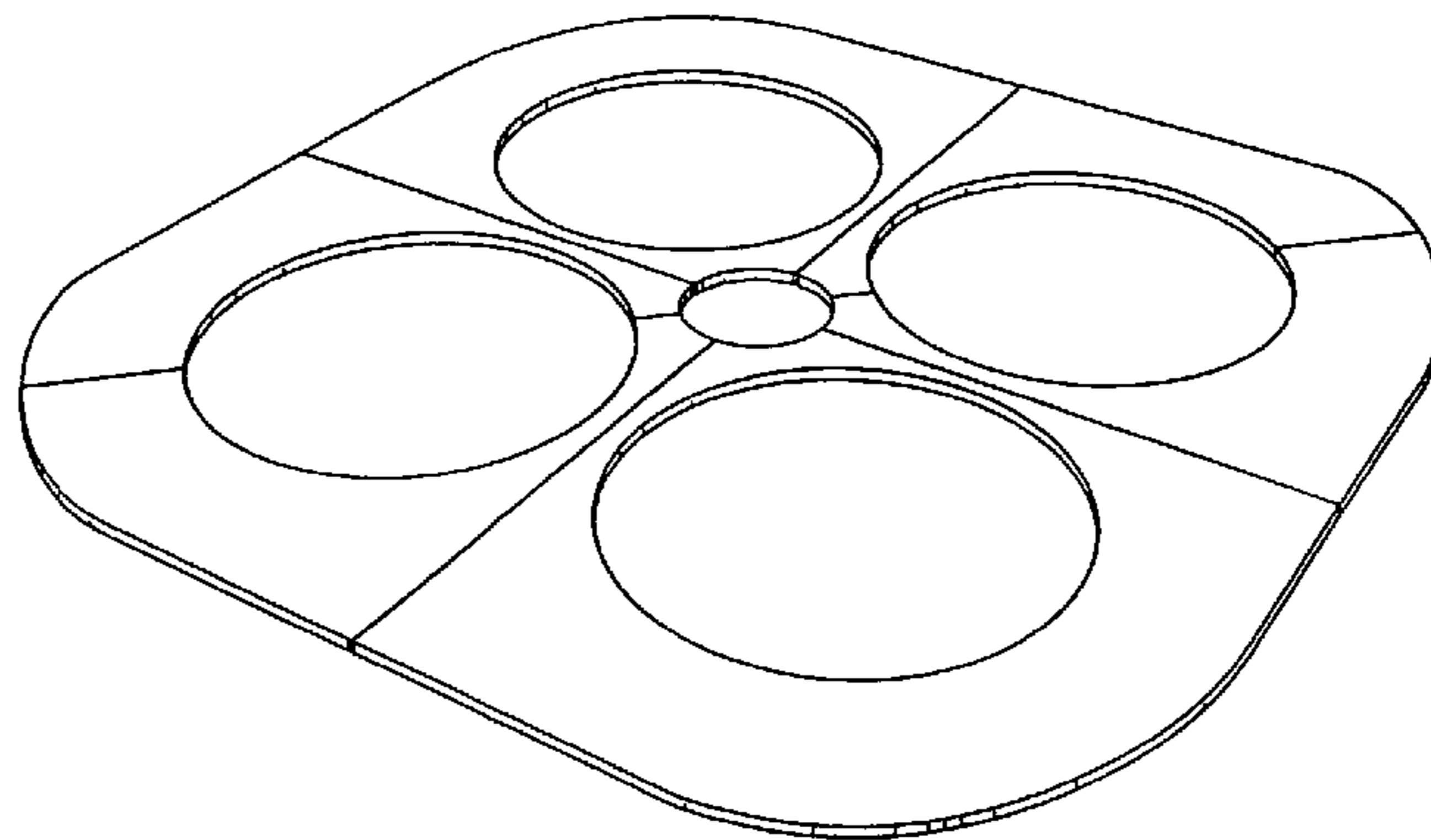
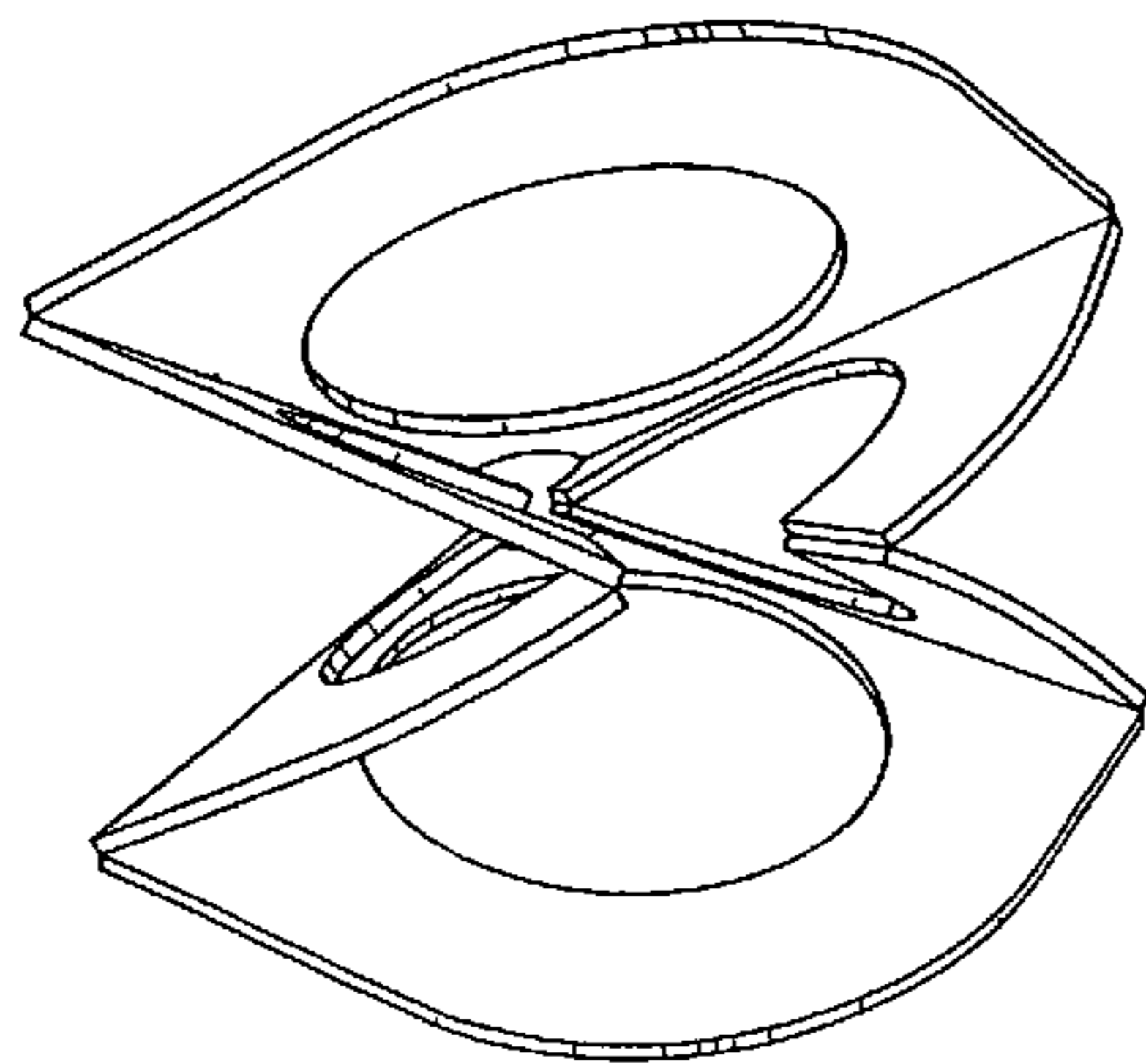
FIG. 4 is a top view thereof;

FIG. 5 is a top view thereof, in the folded position;

FIG. 6 is a bottom view thereof, in the unfolded position; and,

FIG. 7 is a side view thereof.

**1 Claim, 2 Drawing Sheets**



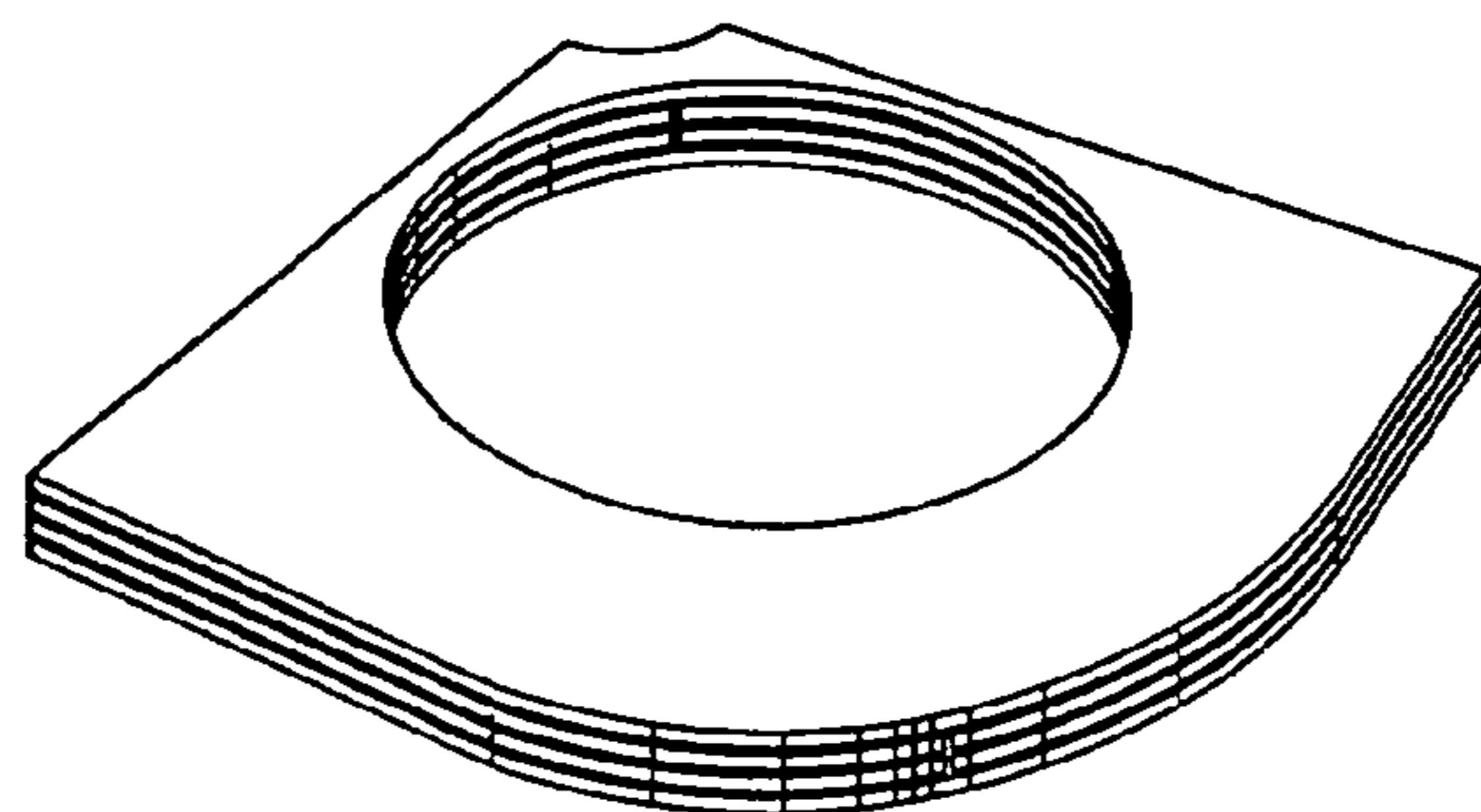


FIG. 1

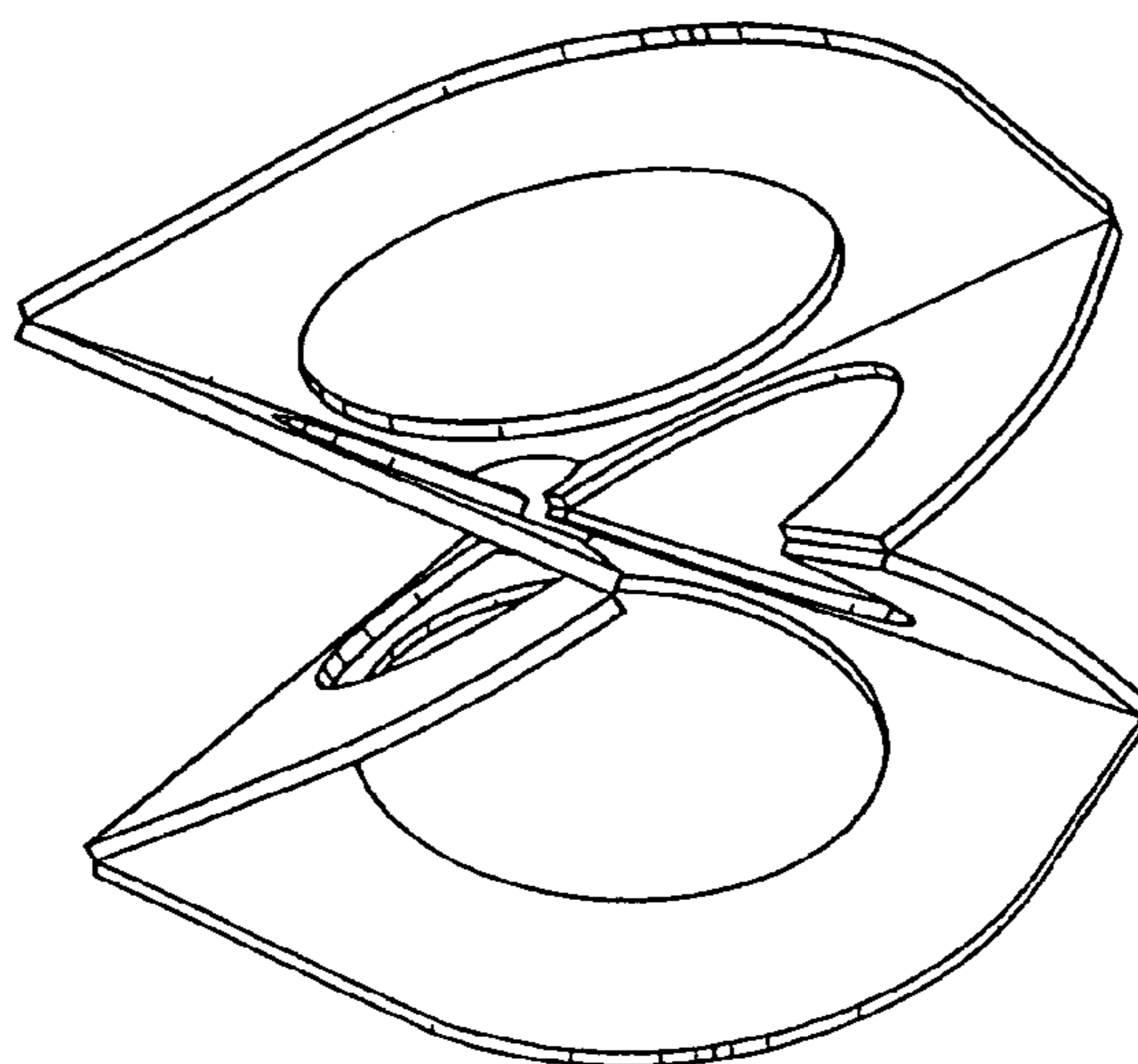


FIG. 2

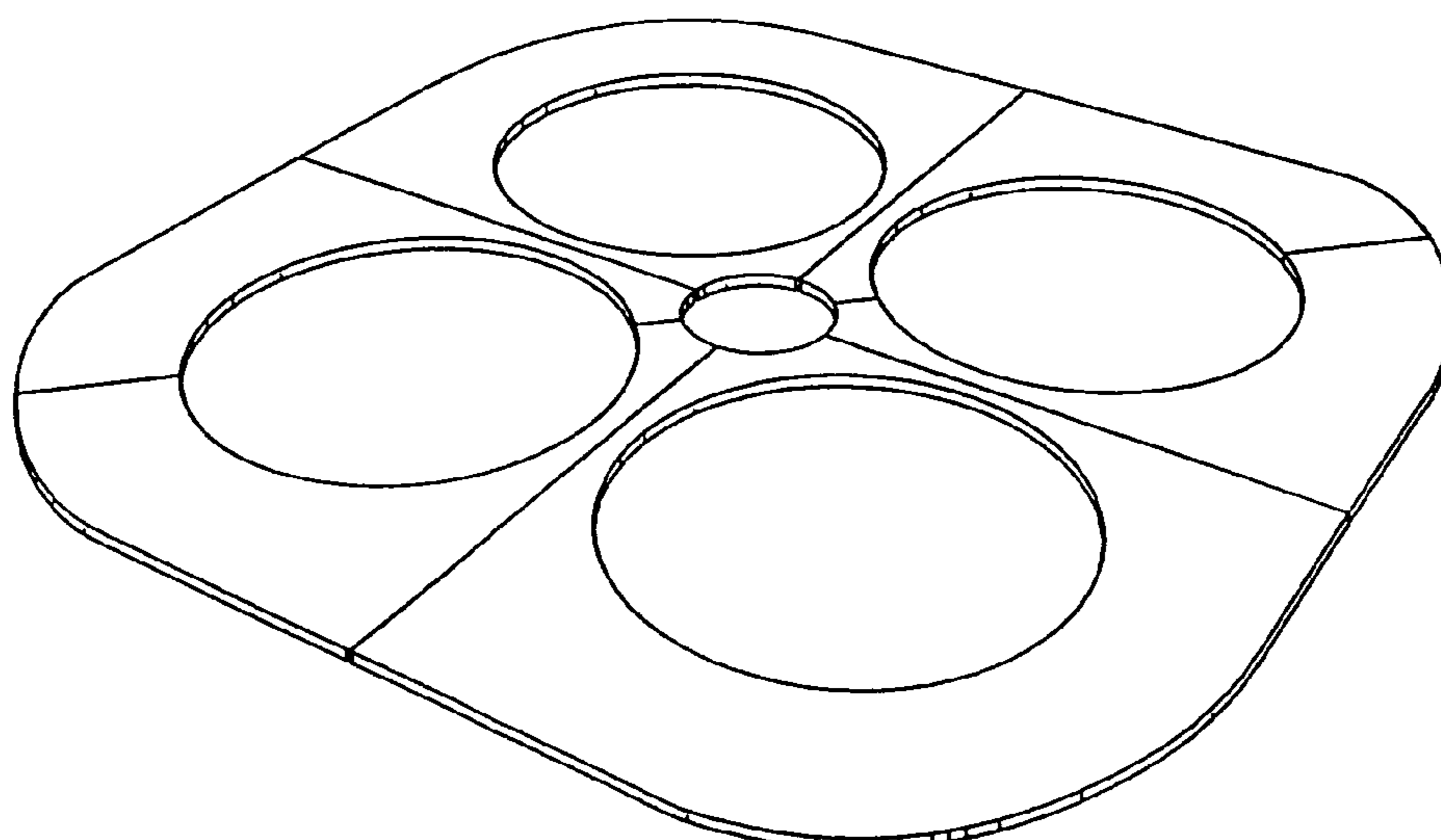


FIG. 3

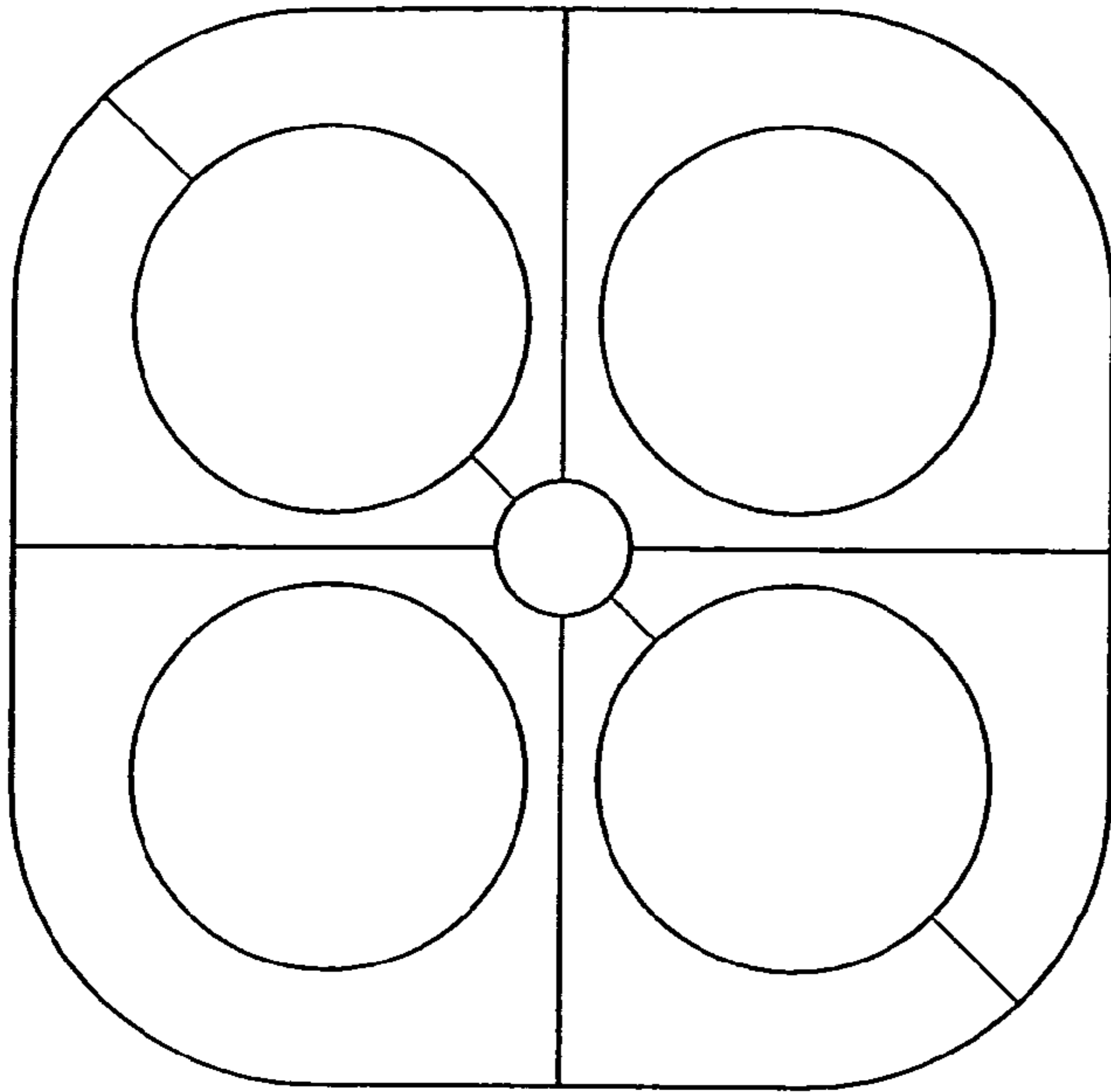


FIG. 4

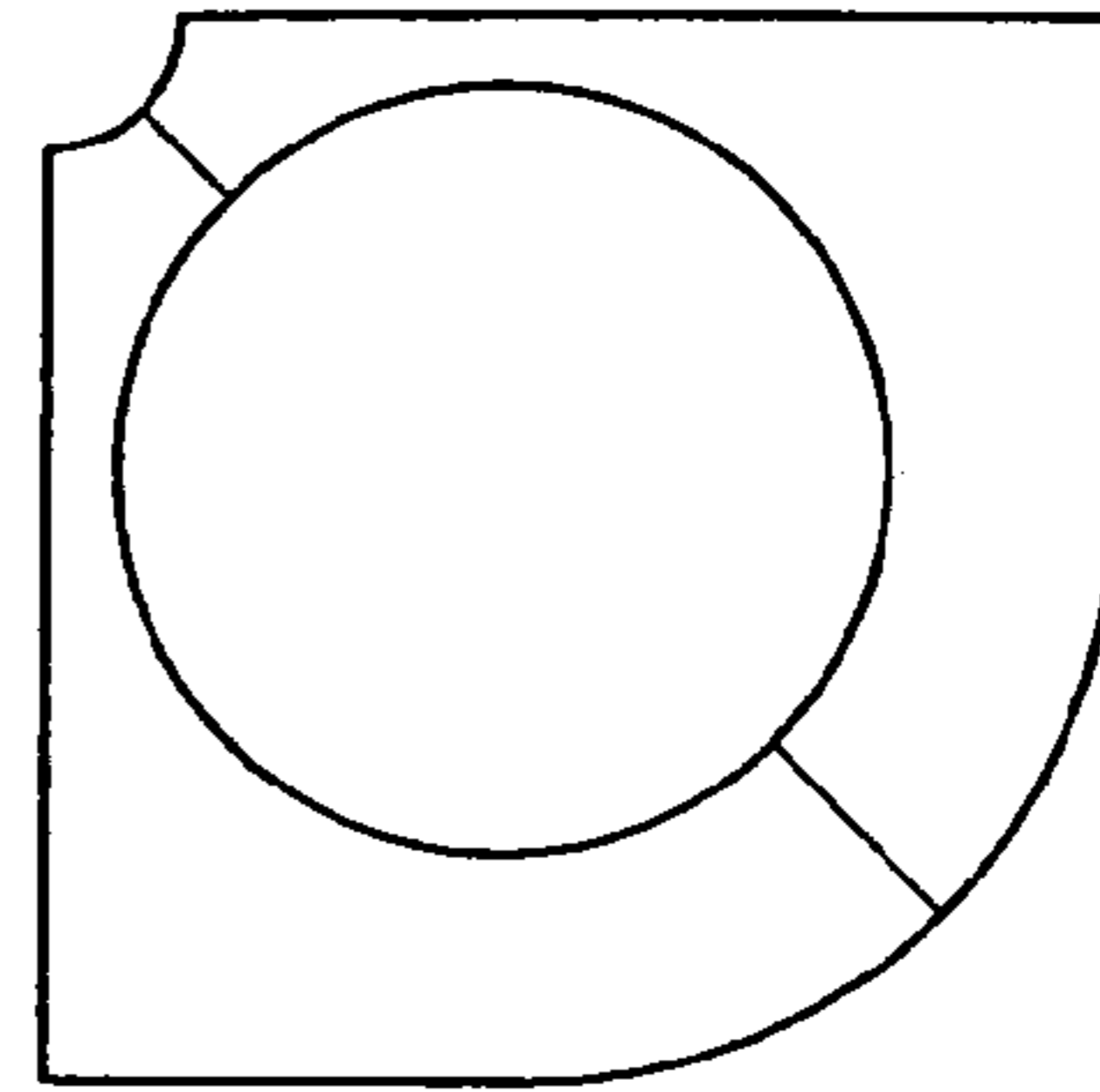


FIG. 5

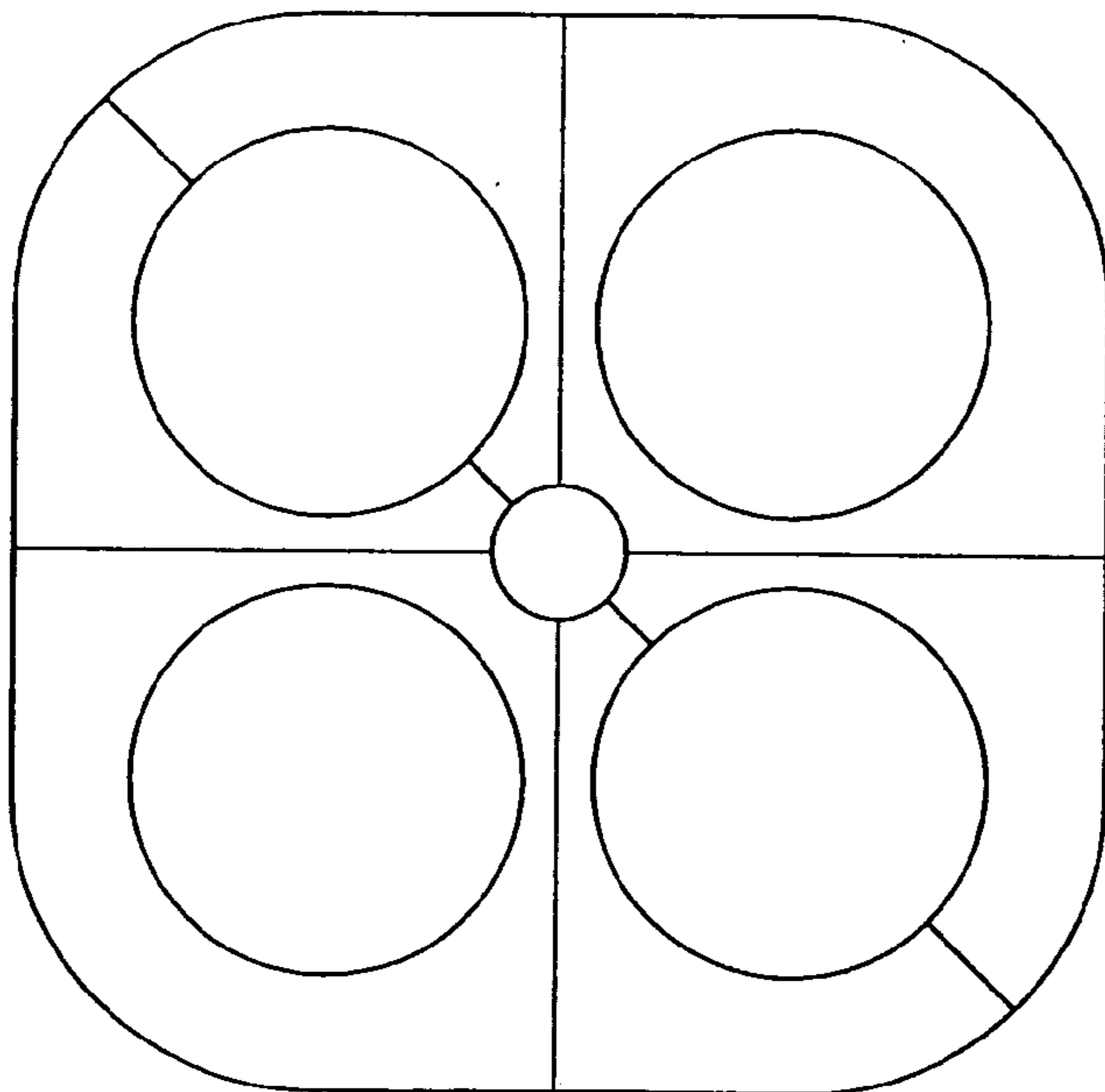


FIG. 6



FIG. 7

UNITED STATES PATENT AND TRADEMARK OFFICE  
**CERTIFICATE OF CORRECTION**

PATENT NO. : Des. 573,841 S  
APPLICATION NO. : 29/265855  
DATED : July 29, 2008  
INVENTOR(S) : Jonathan Palmer

Page 1 of 1

It is certified that error appears in the above-identified patent and that said Letters Patent is hereby corrected as shown below:

On the Title Page Item (30), insert claim of priority: --European Community Design No. 000492459, filed March 9, 2006.--

Signed and Sealed this

Sixteenth Day of December, 2008

A handwritten signature in black ink that reads "Jon W. Dudas". The signature is written in a cursive style with a large, stylized initial "J".

JON W. DUDAS

*Director of the United States Patent and Trademark Office*